



US00D450187B1

(12) **United States Design Patent**
King

(10) **Patent No.:** **US D450,187 S**

(45) **Date of Patent:** **** Nov. 13, 2001**

(54) **ANCHOR DEVICE FOR A LUGGAGE SUPPORT STRAP**

Primary Examiner—Philip S. Hyder

(74) *Attorney, Agent, or Firm*—Dorsey & Whitney LLP

(75) **Inventor:** **William L. King**, Denver, CO (US)

(57) **CLAIM**

(73) **Assignee:** **Water Pik, Inc.**, Fort Collins, CO (US)

The ornamental design for an anchor device for a luggage support strap, as shown and described.

(**) **Term:** **14 Years**

DESCRIPTION

(21) **Appl. No.:** **29/130,942**

FIG. 1 is an isometric view of the anchor device for luggage support strap embodying my new design.

(22) **Filed:** **Oct. 11, 2000**

FIG. 2 is front elevational view thereof.

(51) **LOC (7) Cl.** **03-01**

FIG. 3 is a rear elevational view thereof.

(52) **U.S. Cl.** **D3/318**

FIG. 4 is a left side elevational view thereof, the right side elevational view being a mirror image thereof.

(58) **Field of Search** D3/318, 322, 327,
D3/328; 24/265 AL, 197

FIG. 5 is a bottom plan view thereof.

(56) **References Cited**

FIG. 6 is a top plan view thereof.

U.S. PATENT DOCUMENTS

FIG. 7 is an isometric view of the anchor device, showing the lower plate separated therefrom.

D. 245,143 * 7/1977 Perrin D3/318

FIG. 8 illustrates the anchor device attached to a luggage support strap of a piece of luggage, the luggage and the luggage support strap are shown in broken lines for illustrative purposes only and form no part of the claimed design.

D. 245,144 * 7/1977 Perrin D3/318

D. 361,665 * 8/1995 Izumi D3/318

D. 383,000 * 9/1997 Fendi D3/318

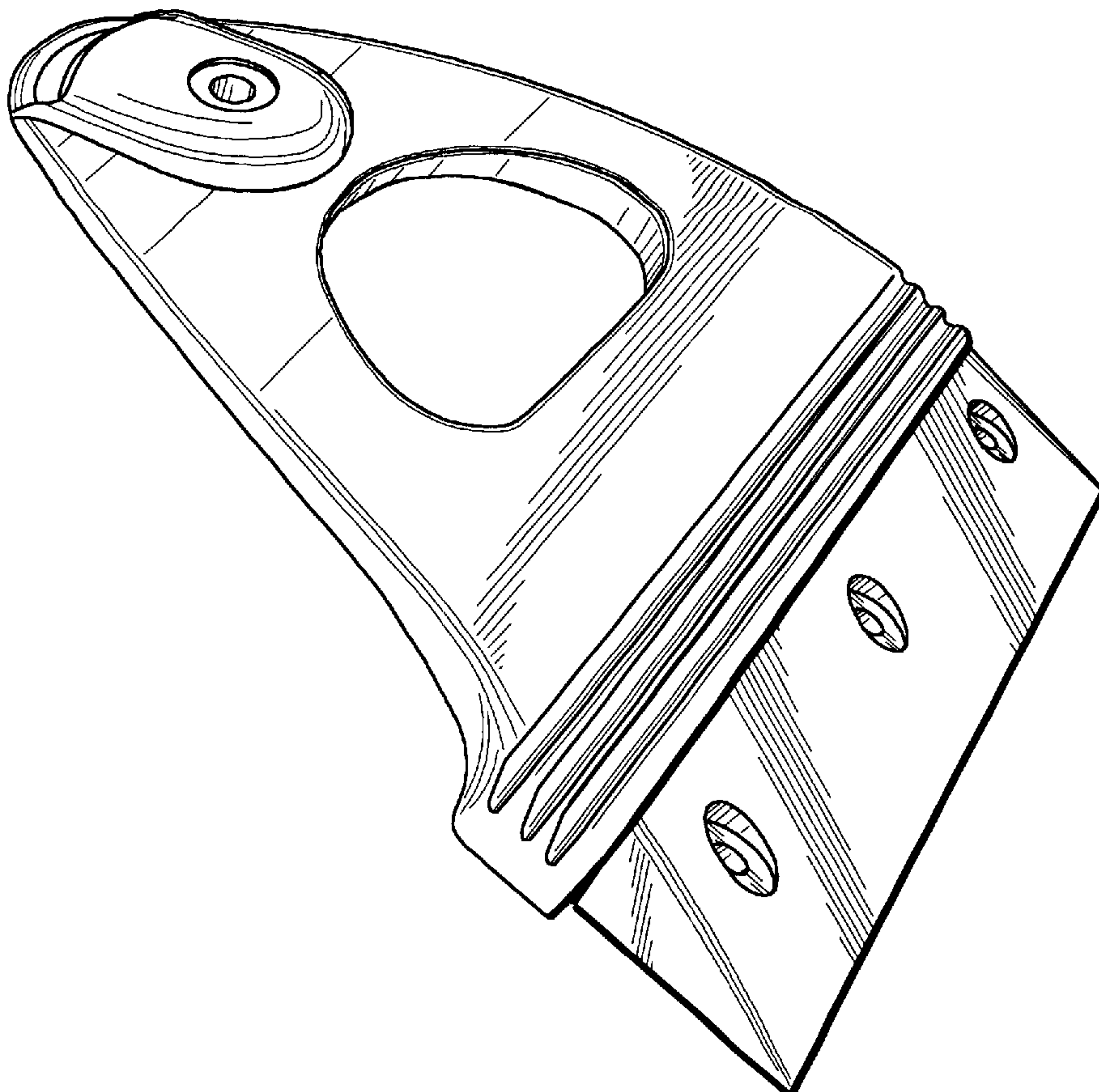
D. 394,553 * 5/1998 Lin D3/318

D. 403,161 * 12/1998 Lin D3/318

D. 417,787 * 12/1999 Wathne et al. D3/318

* cited by examiner

1 Claim, 4 Drawing Sheets



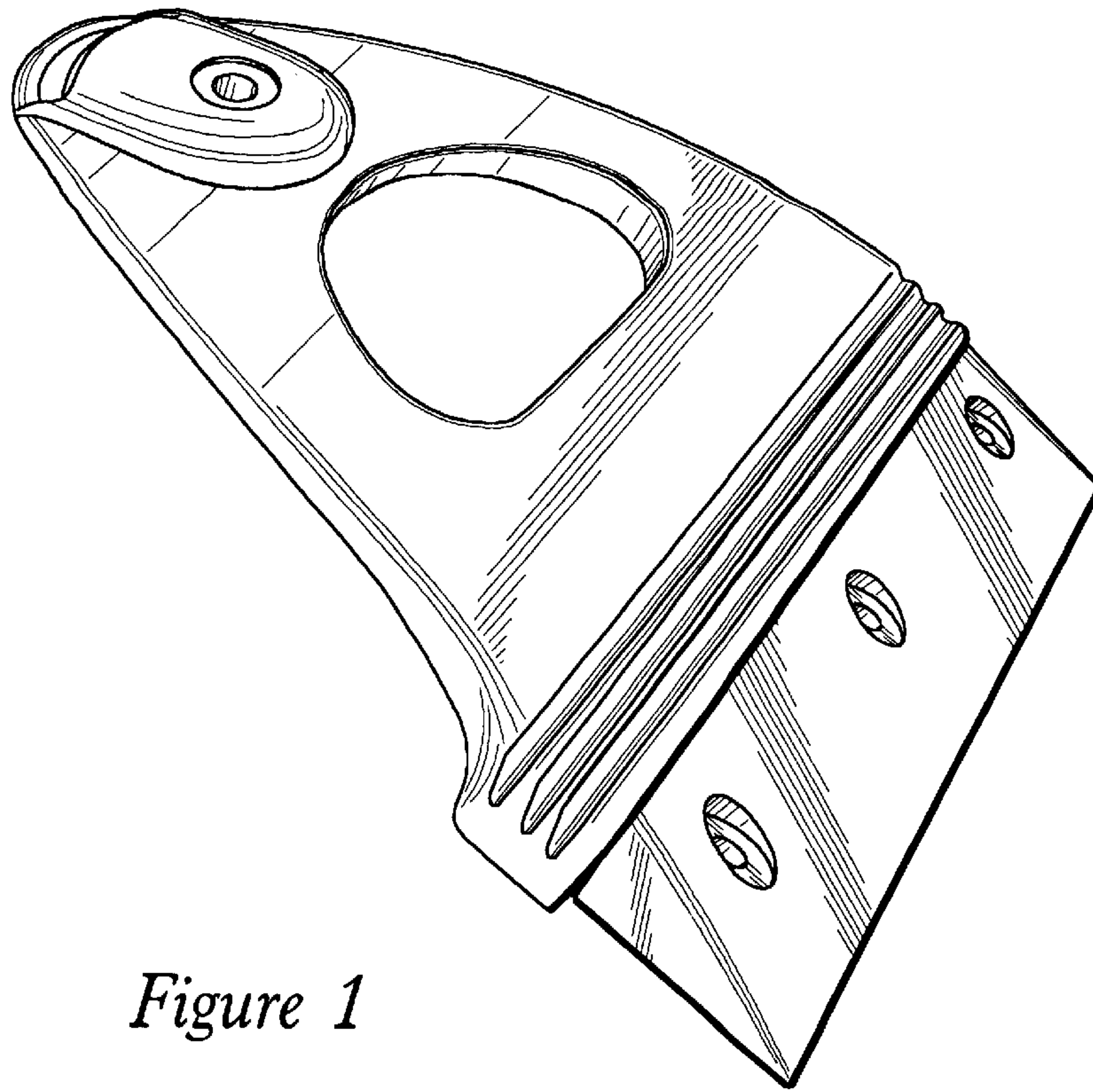


Figure 1

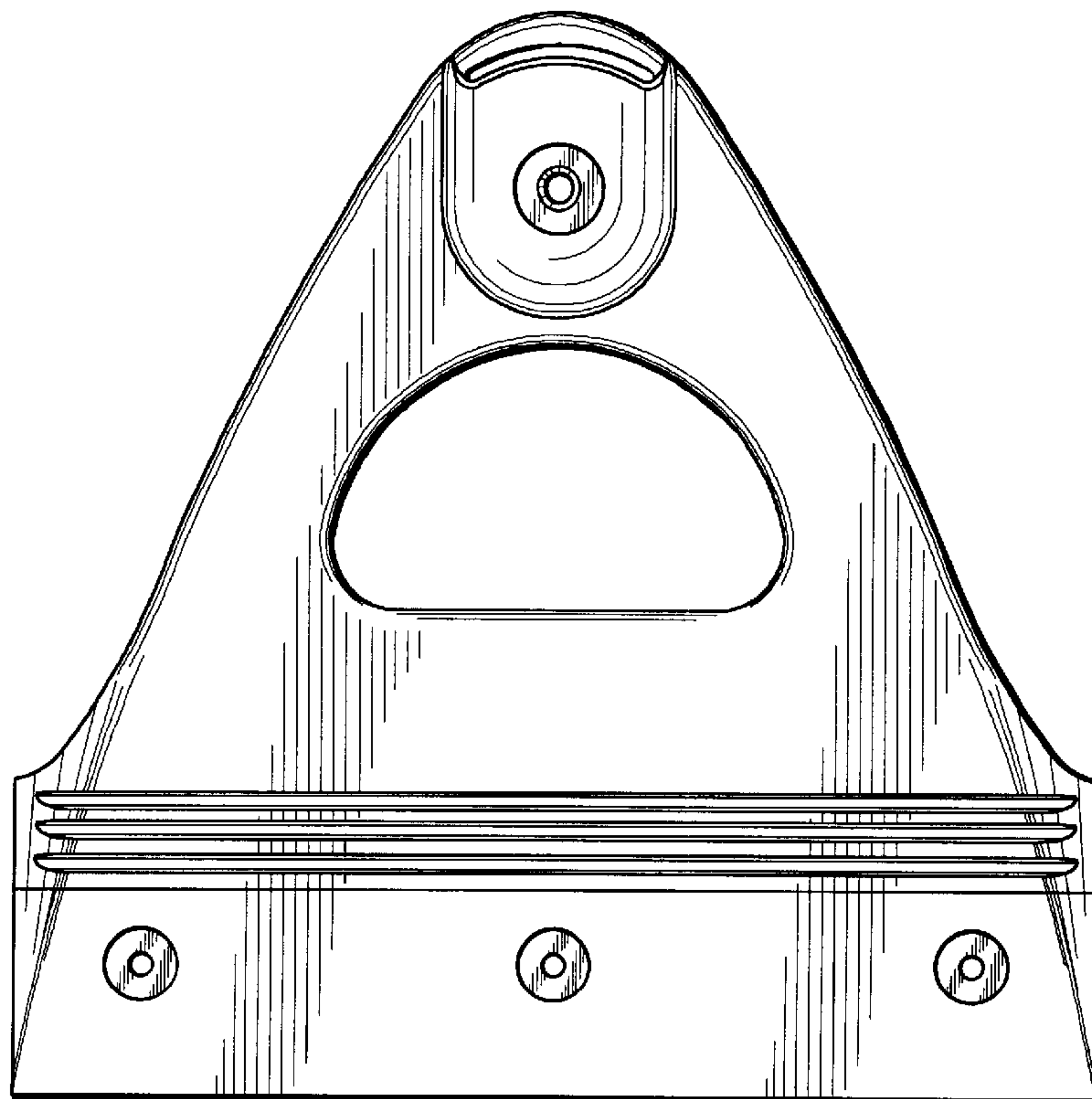


Figure 2

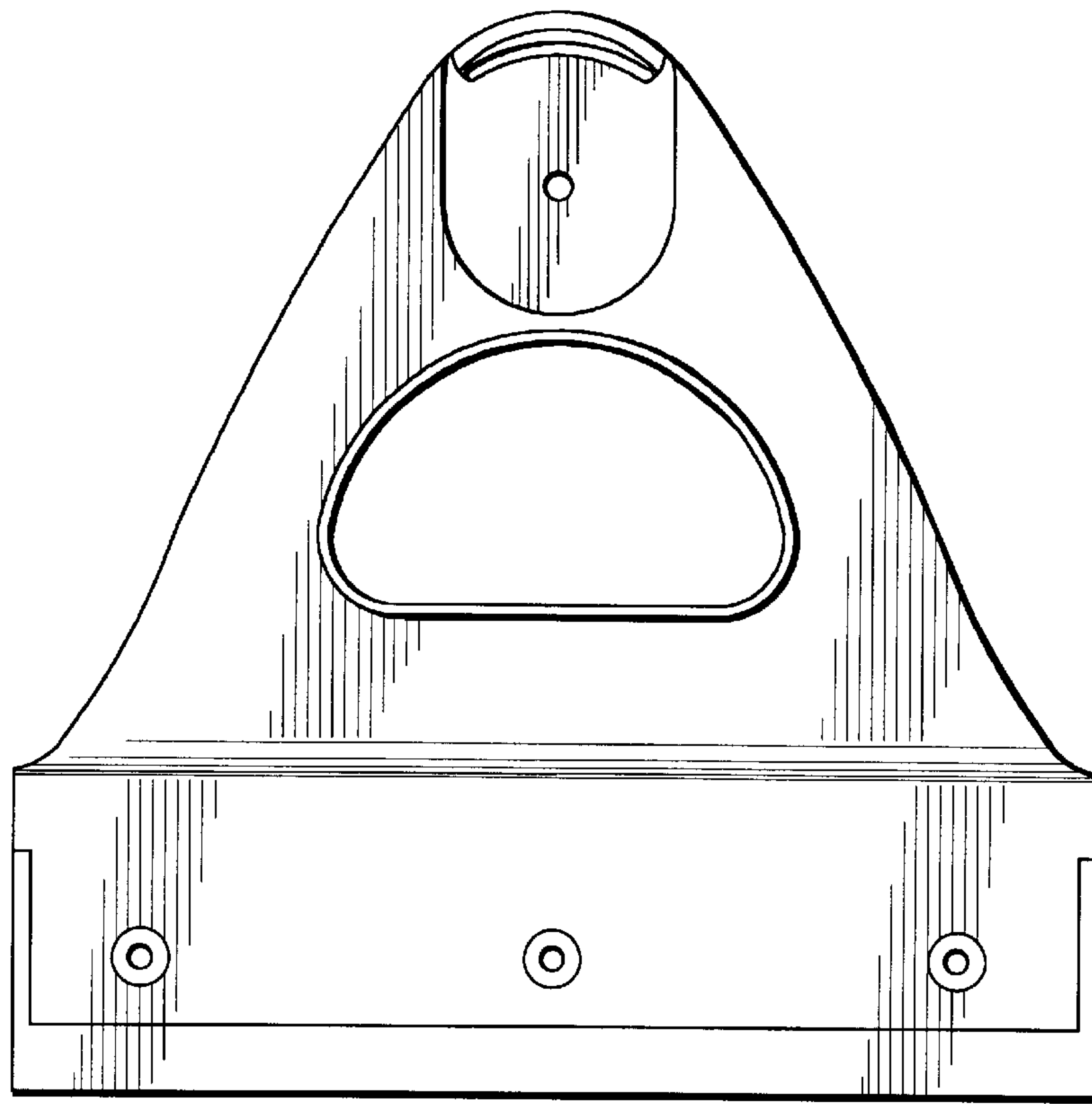


Figure 3

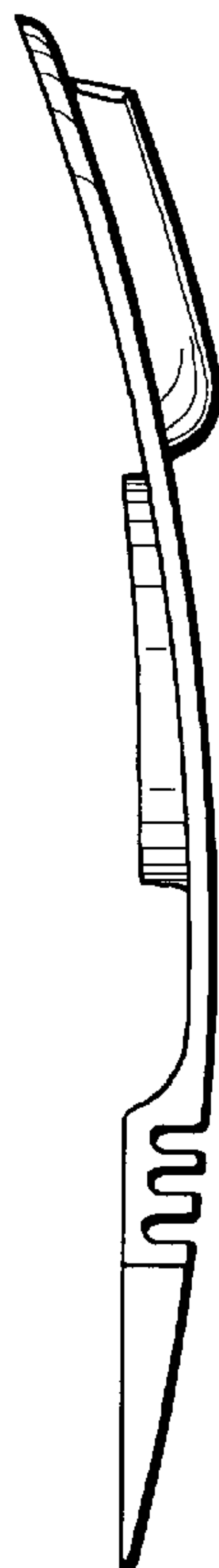


Figure 4

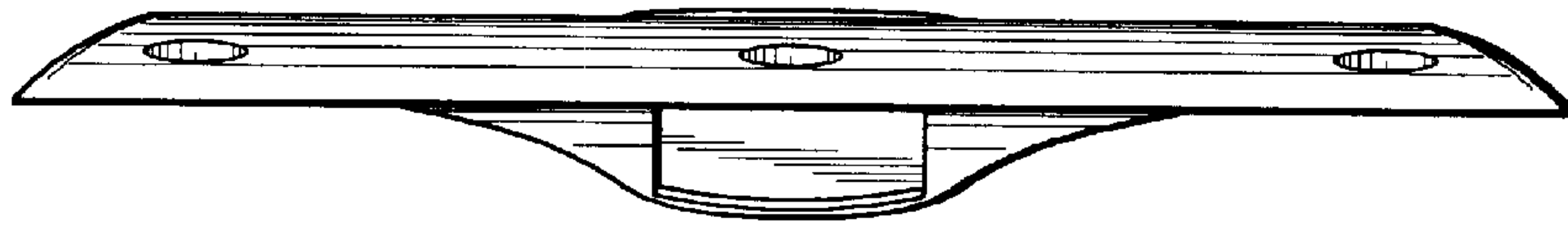


Figure 5

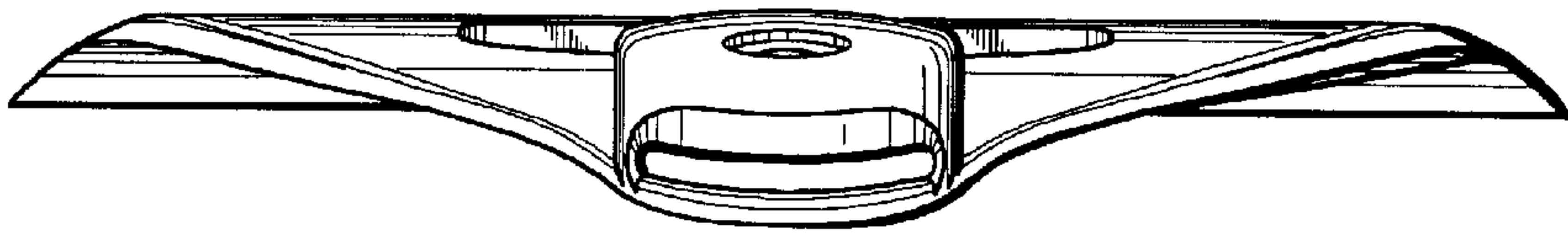


Figure 6

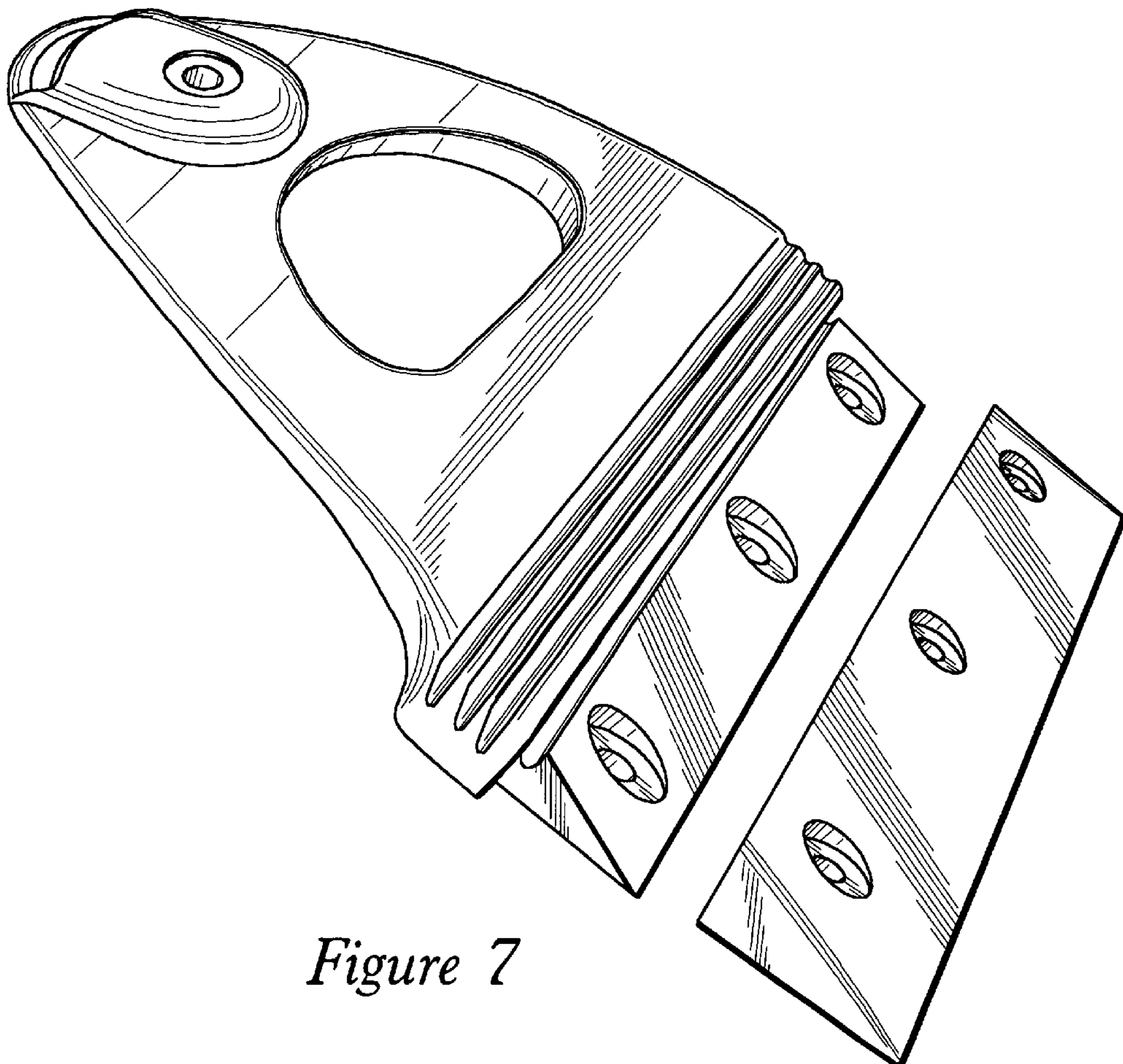


Figure 7

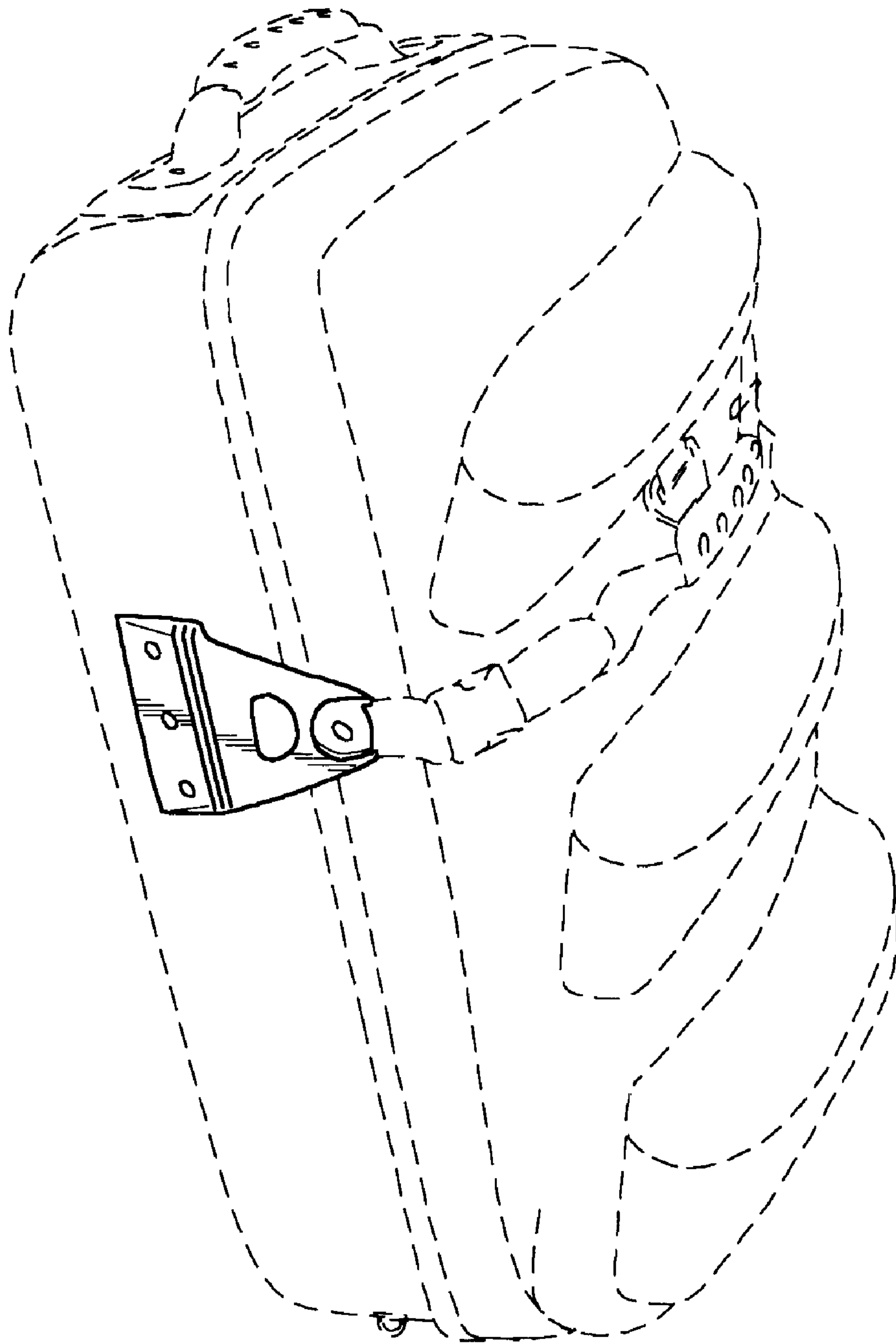


Figure 8

UNITED STATES PATENT AND TRADEMARK OFFICE
CERTIFICATE OF CORRECTION

PATENT NO. : Des. 450,187 S
DATED : November 13, 2001
INVENTOR(S) : William L. King

Page 1 of 1

It is certified that error appears in the above-identified patent and that said Letters Patent is hereby corrected as shown below:

Title page,

Item [73], Assignee, delete "**Water Pik, Inc., Fort Collins**" and insert -- **Samsonite Corporation, Denver** --.

Signed and Sealed this

Seventeenth Day of June, 2003

A handwritten signature in black ink, appearing to read "James E. Rogan", written over a horizontal line.

JAMES E. ROGAN
Director of the United States Patent and Trademark Office