



US00D450184B1

(12) **United States Design Patent**  
**Gribovsky**

(10) **Patent No.:** **US D450,184 S**

(45) **Date of Patent:** **\*\* Nov. 13, 2001**

(54) **WALLET**

(76) **Inventor:** **Vladimir Gribovsky**, 6301 Bay Ridge Rd., Mound, MN (US) 55364

(\*\*) **Term:** **14 Years**

(21) **Appl. No.:** **29/126,464**

(22) **Filed:** **Jul. 17, 2000**

(51) **LOC (7) Cl.** ..... **03-01**

(52) **U.S. Cl.** ..... **D3/250**

(58) **Field of Search** ..... D3/247, 248, 249,  
D3/250, 251, 253; 150/131, 132, 136, 141,  
143, 138, 139, 140, 144, 146, 147, 149,  
150, 152, 900

(56) **References Cited**

**U.S. PATENT DOCUMENTS**

D. 157,738	*	3/1950	Chase	.....	150/136
D. 160,147	*	9/1950	Chase	.....	150/132
D. 161,264	*	12/1950	Jeffery	.....	150/136
D. 422,406	*	4/2000	Dweck et al.	.....	D3/247
2,613,718	*	10/1952	Jeffery	.....	150/141
3,199,562	*	8/1965	Seitz	.....	150/143

\* cited by examiner

*Primary Examiner*—Louis S. Zarfaz

*Assistant Examiner*—Monica A. Weingart

(74) *Attorney, Agent, or Firm*—Patterson, Thunte, Skaar & Christensen, P.A.

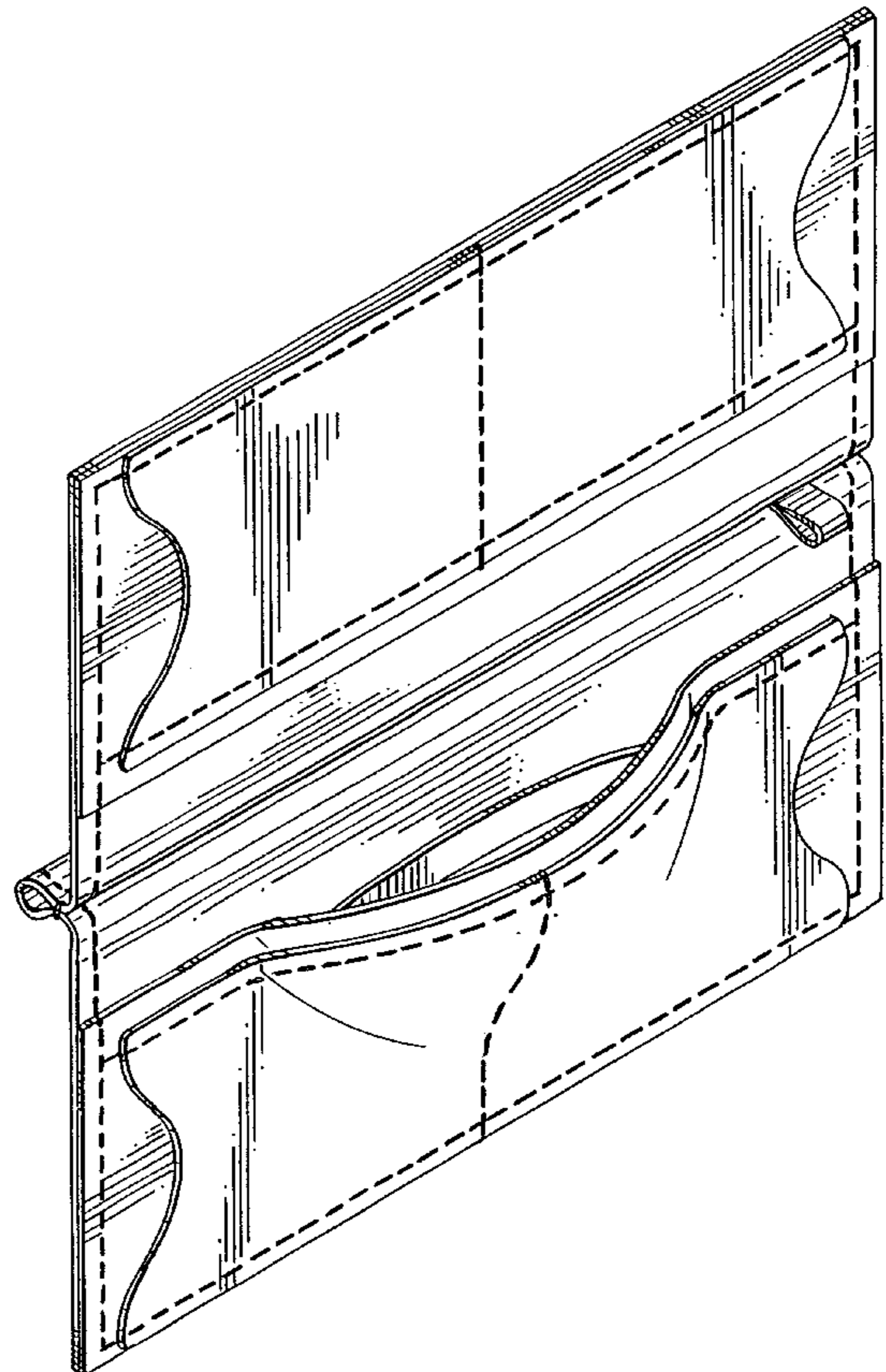
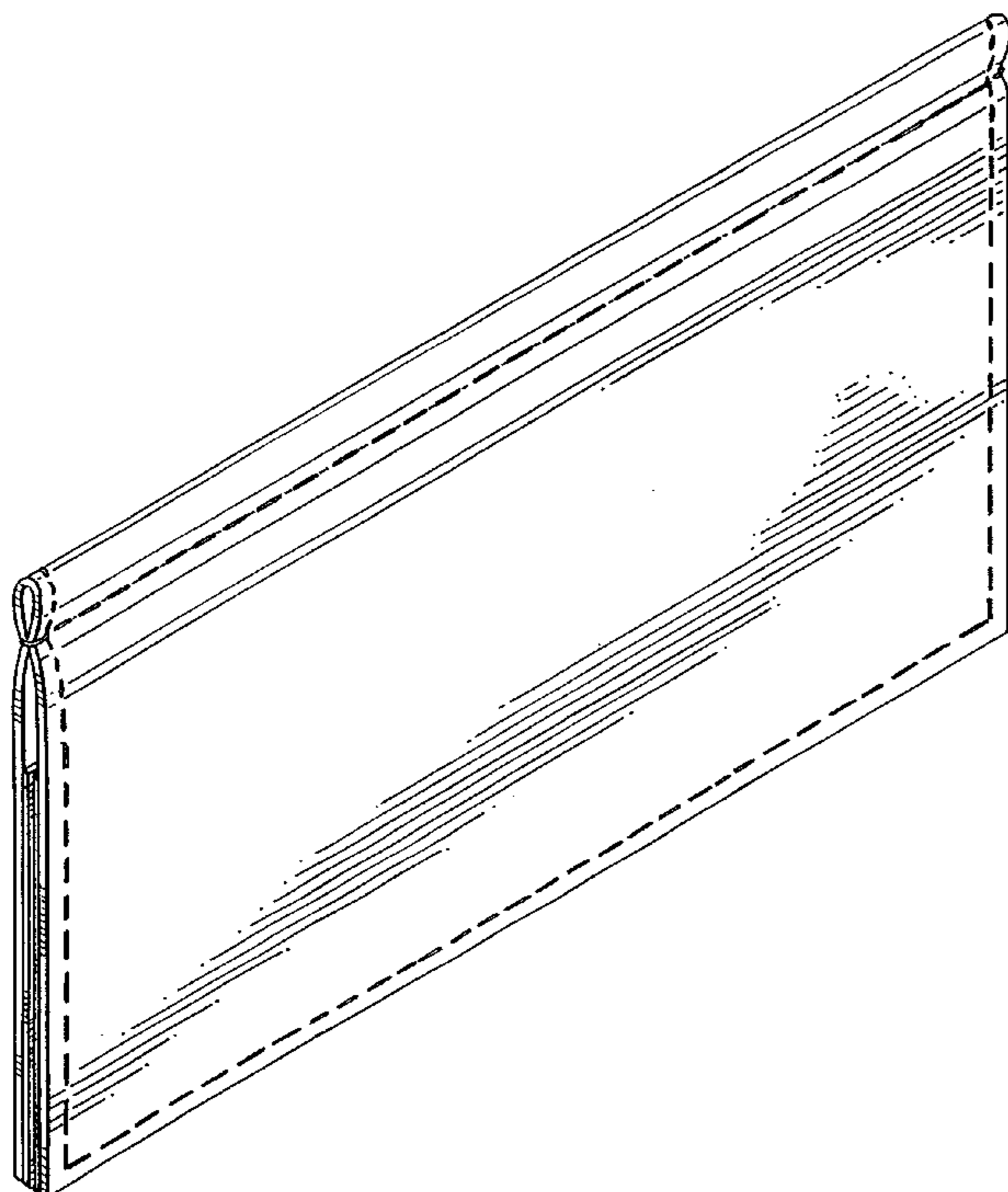
(57) **CLAIM**

The ornamental design for a wallet, as shown and described.

**DESCRIPTION**

FIG. 1 is a perspective view of a wallet showing my new design;  
 FIG. 2 is a top plan view thereof;  
 FIG. 3 is a bottom plan view thereof;  
 FIG. 4 is front elevational view thereof;  
 FIG. 5 is side elevational view thereof;  
 FIG. 6 is a perspective view of the wallet in an open position thereof;  
 FIG. 7 is a perspective view of second embodiment thereof;  
 FIG. 8 is a top plan view thereof;  
 FIG. 9 is a bottom plan view thereof;  
 FIG. 10 is a front elevational view thereof;  
 FIG. 11 is a side elevational view thereof; and,  
 FIG. 12 is a perspective view of the wallet in an open position thereof.

**1 Claim, 6 Drawing Sheets**



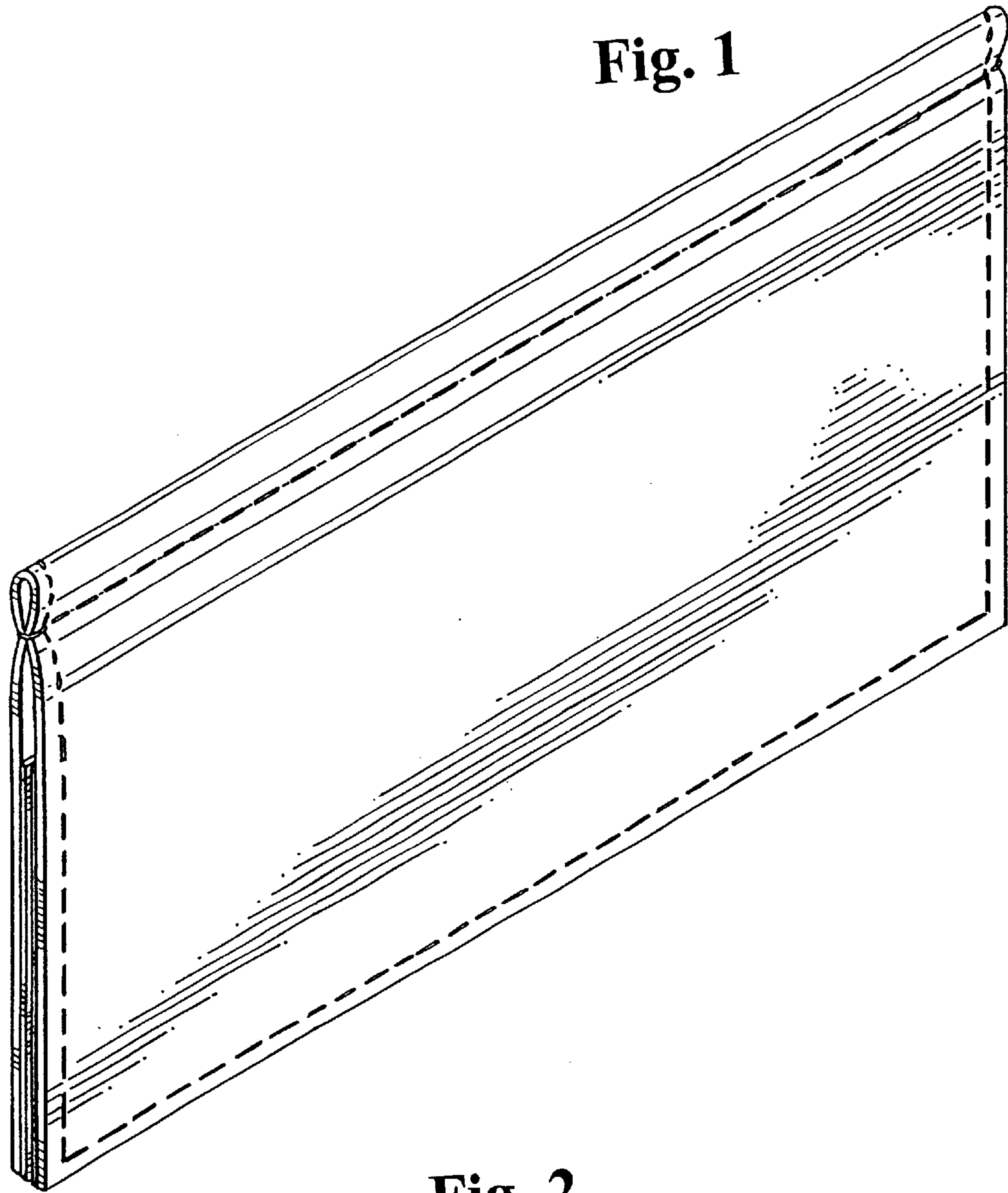


Fig. 1

Fig. 2

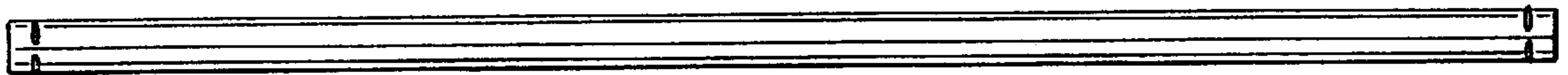
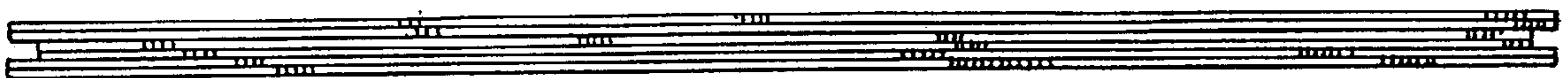
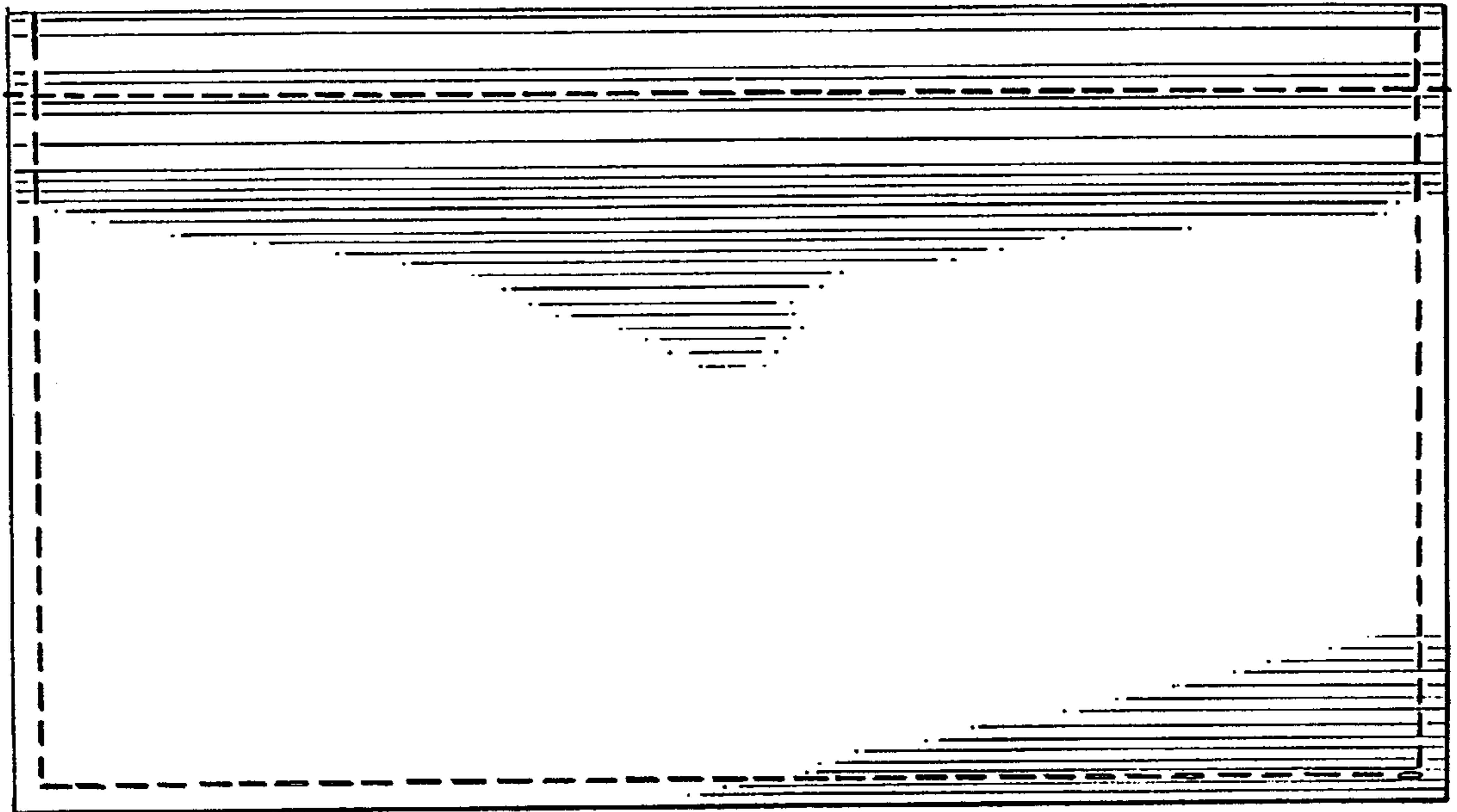


Fig. 3

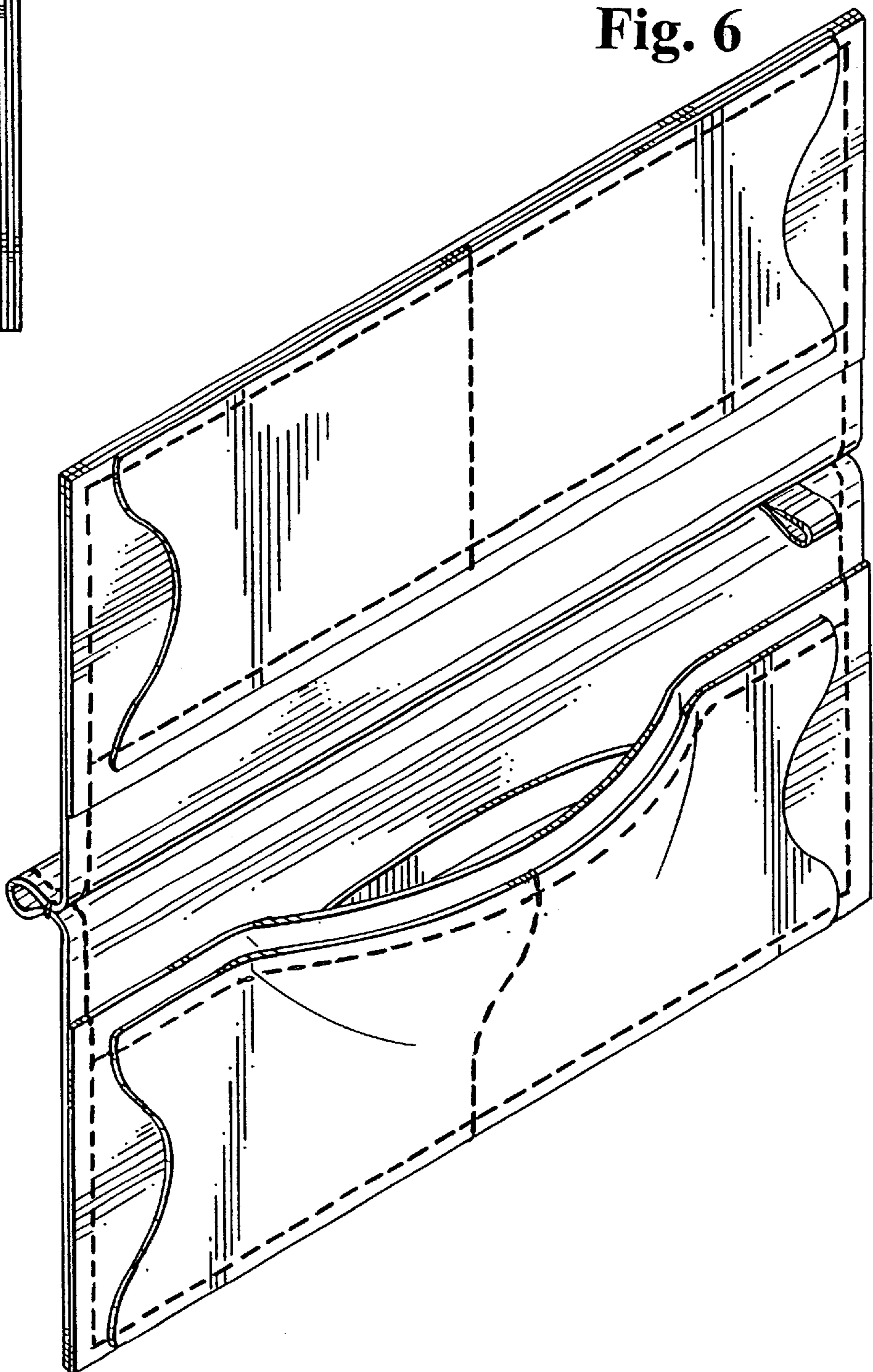


**Fig. 4**





**Fig. 5**



**Fig. 6**

Fig. 7

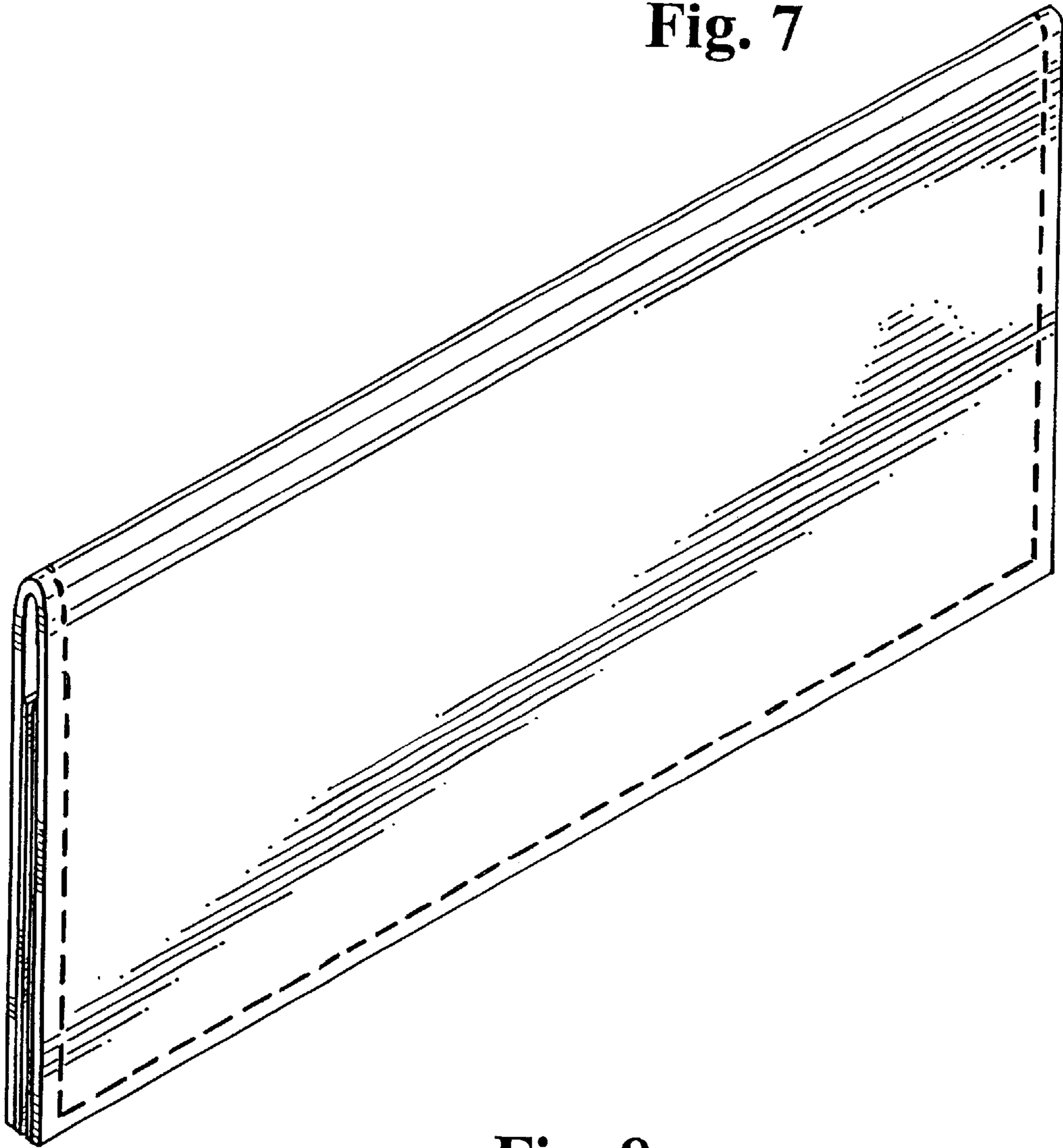


Fig. 8

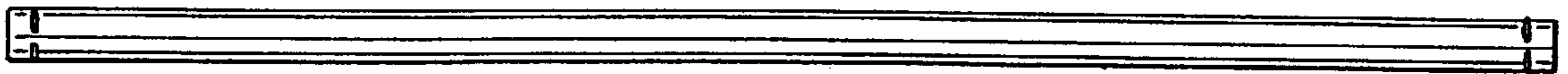
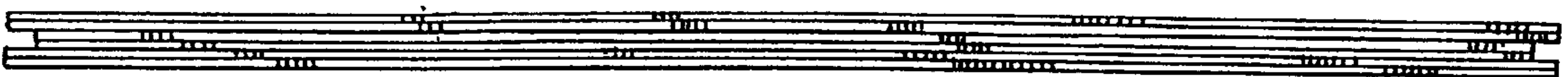
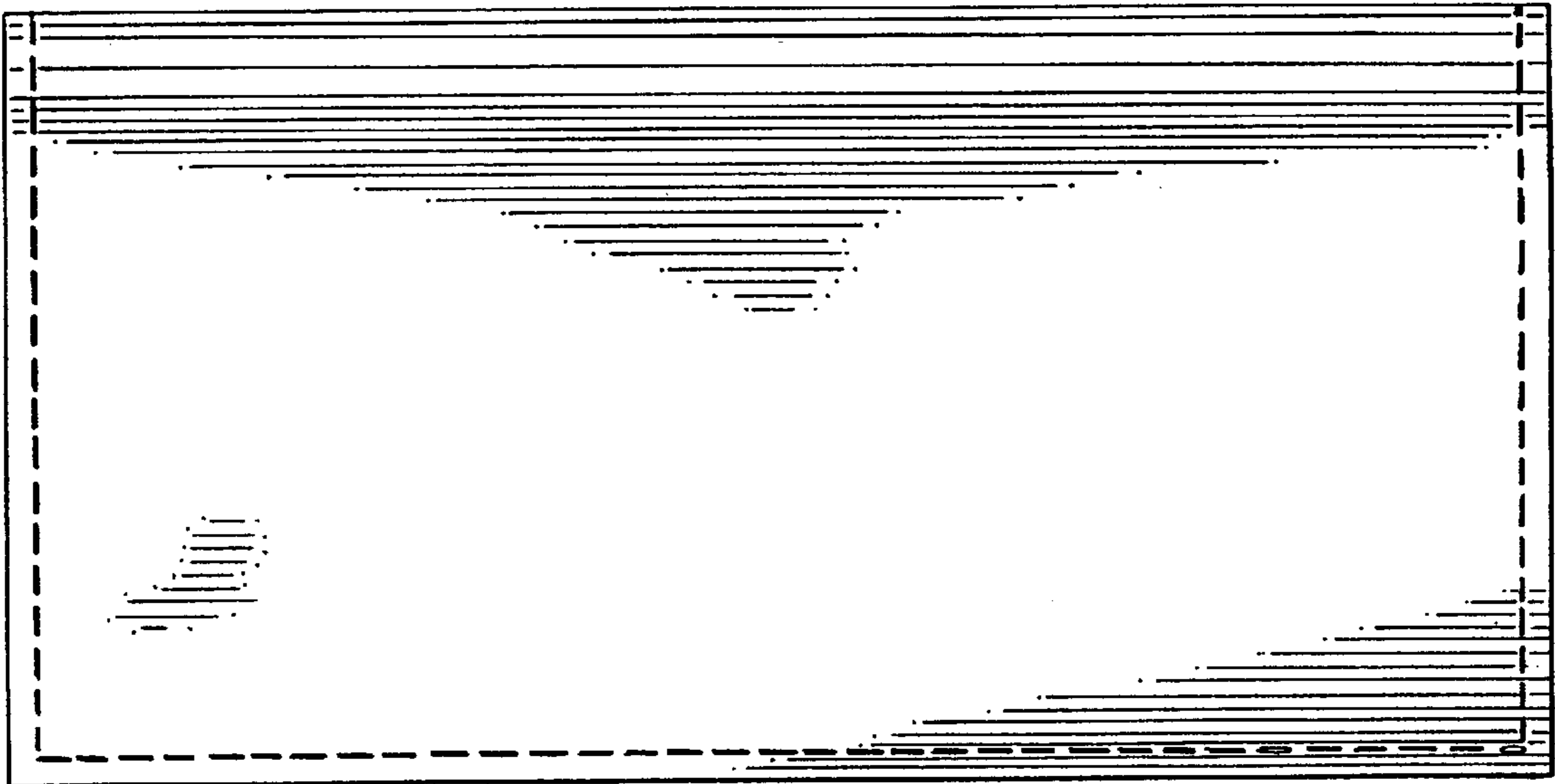


Fig. 9



**Fig. 10**



**Fig. 11**



**Fig. 12**

