



US00D450175B1

(12) **United States Design Patent**  
**Lofley et al.**

(10) **Patent No.:** **US D450,175 S**

(45) **Date of Patent:** **\*\* Nov. 13, 2001**

(54) **BOOT PROTECTOR**

(74) *Attorney, Agent, or Firm*—Frijouf, Rust & Pyle, P.A.

(76) Inventors: **Robert G. Lofley**, 2913 Spaniel La.,  
Seffner, FL (US) 33584; **Robert G.  
Lofley, Jr.**, 4020 McLane Dr., Tampa,  
FL (US) 33610

(57) **CLAIM**

The ornamental design for a boot protector, as shown and described.

(\*\*) Term: **14 Years**

**DESCRIPTION**

(21) Appl. No.: **29/140,247**

FIG. 1 is a right side view of my new design for a boot protector;

(22) Filed: **Apr. 16, 2001**

FIG. 2 is a left side view thereof;

(51) **LOC (7) Cl.** ..... **02-04**

FIG. 3 is a top view thereof;

(52) **U.S. Cl.** ..... **D2/909**

FIG. 4 is a bottom view thereof;

(58) **Field of Search** ..... D2/901, 909–915;  
36/1.5, 2 R, 7.1 R, 7.2–7.4, 72 R

FIG. 5 is a front view thereof;

FIG. 6 is a rear view thereof;

FIG. 7 is a plan view of my new design for the boot protector of FIG. 1 resting on a flat surface;

(56) **References Cited**

FIG. 8 is the opposite plan view of FIG. 7 with the end strap and the center strap being removed;

**U.S. PATENT DOCUMENTS**

D. 374,335 \* 10/1996 Grimes ..... D2/909

FIG. 9 is a side view thereof;

D. 378,470 3/1997 McDaniel .

FIG. 10 is a plan view the end strap of FIG. 7;

3,040,455 \* 6/1962 Chriswell ..... 36/72 R

FIG. 11 is a side view of FIG. 10;

3,271,888 9/1966 Graham et al. .

FIG. 12 is a bottom view of FIG. 10;

3,812,606 5/1974 Merola .

FIG. 13 is a plan view the central strap of FIG. 7;

5,168,644 12/1992 Ellis .

FIG. 14 is a side view of FIG. 13; and,

5,855,078 1/1999 Starker .

FIG. 15 is a bottom view of FIG. 13.

5,873,185 2/1999 Harris et al. .

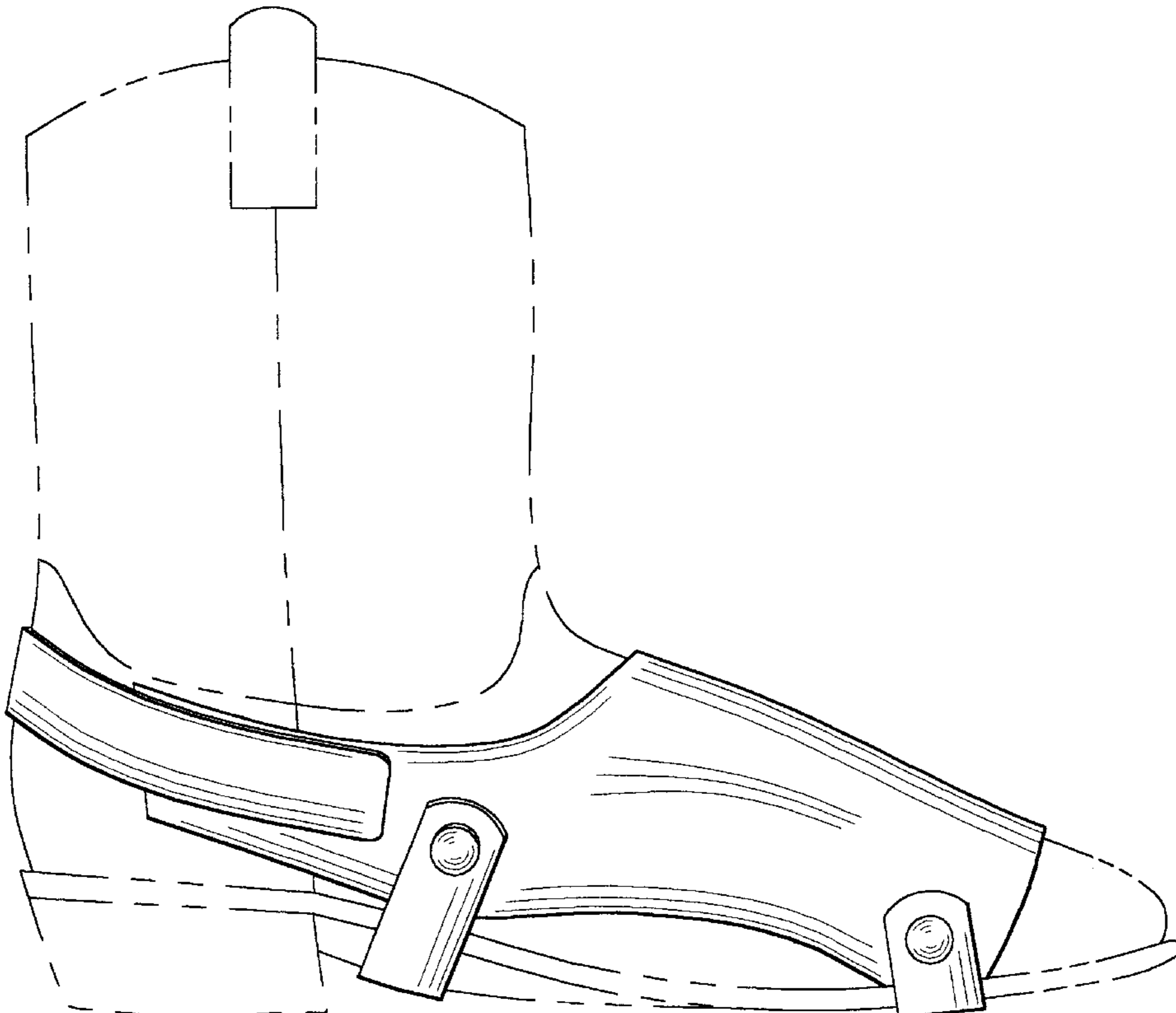
The broken line showing of the boot in the FIGS. 1–7 is for illustrative purposes only and forms no part of the claimed design.

5,996,258 12/1999 Simmons .

\* cited by examiner

*Primary Examiner*—Louis S. Zarfes

**1 Claim, 7 Drawing Sheets**



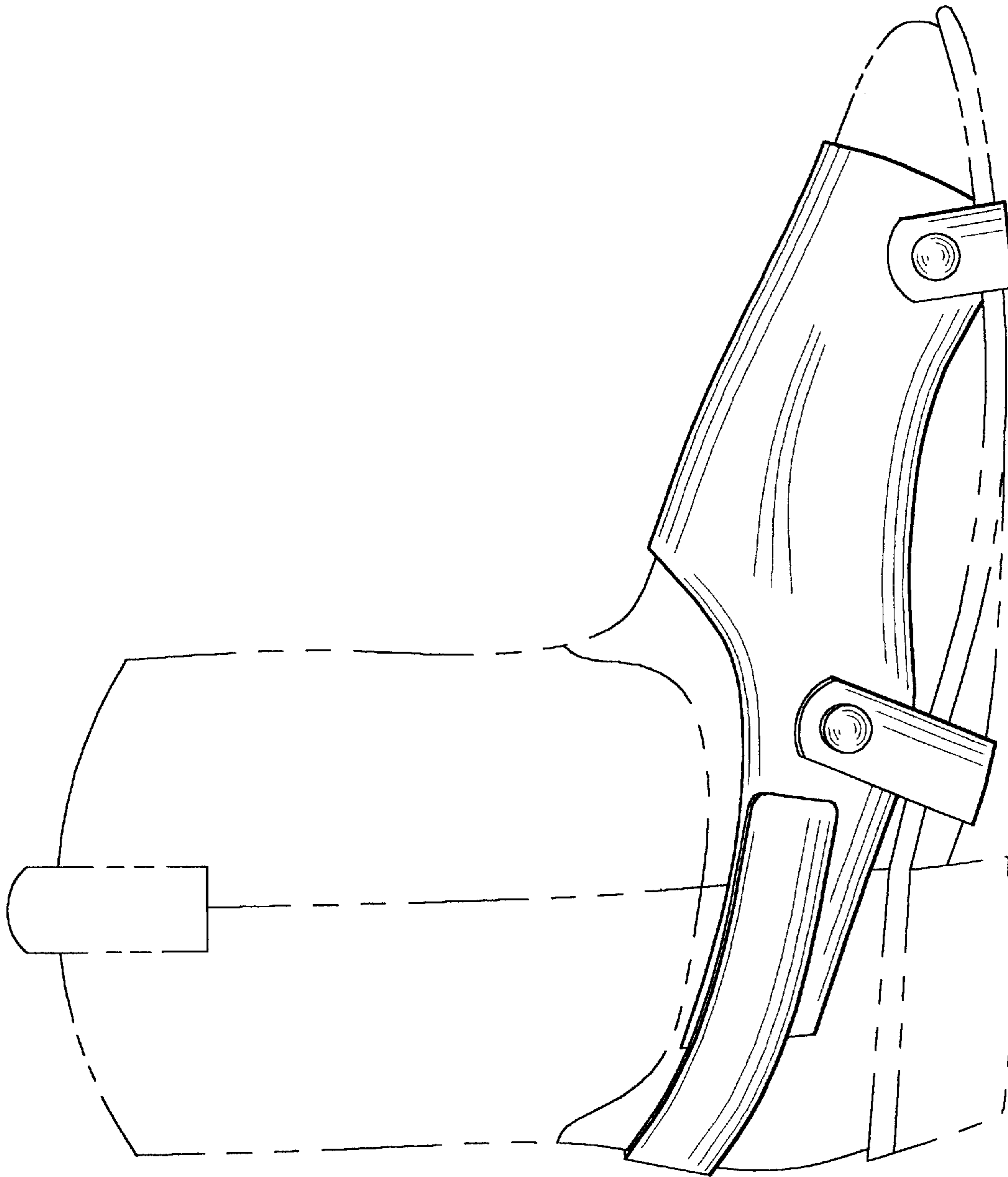


FIG. 1

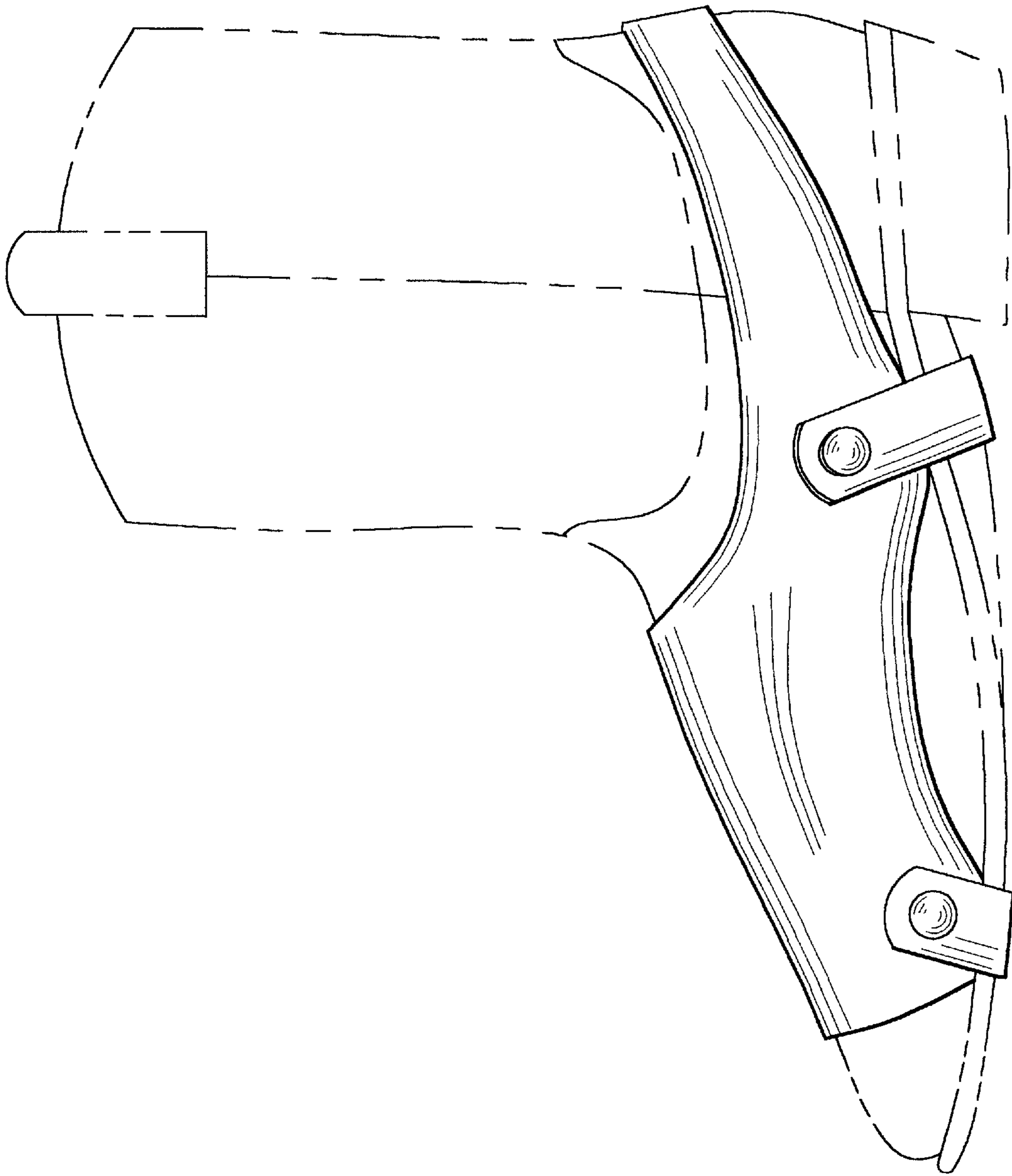


FIG. 2

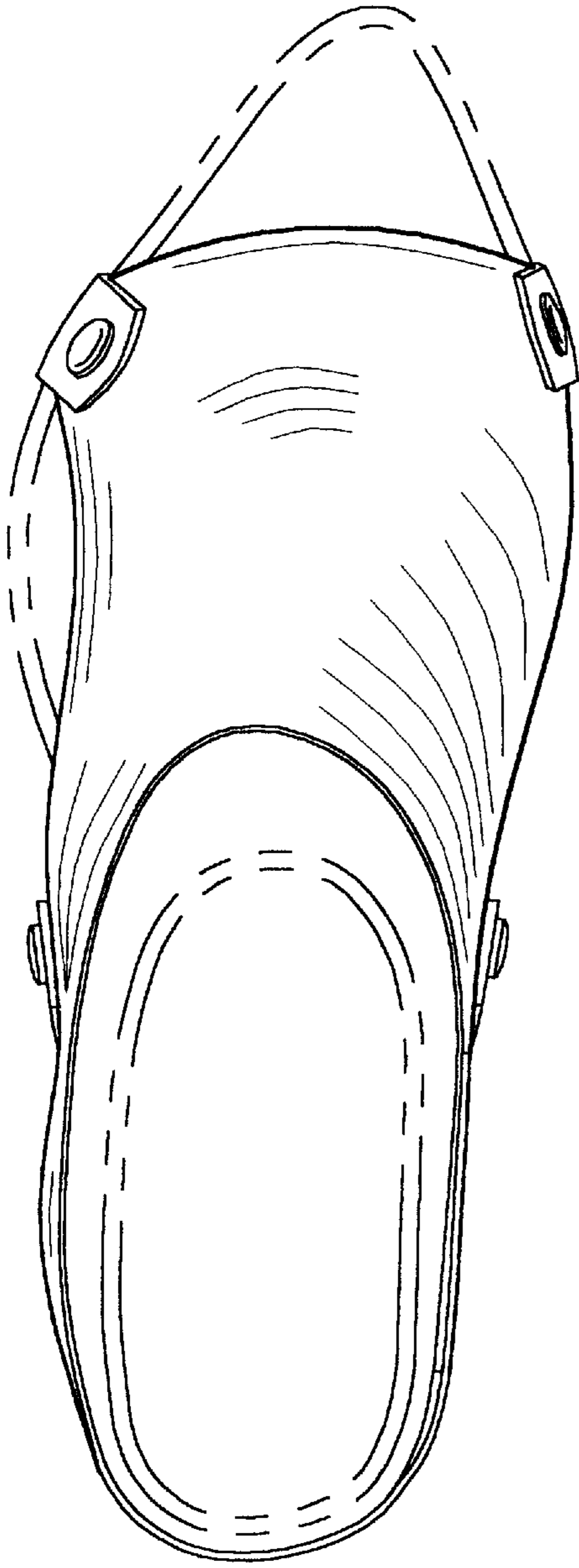


FIG. 3

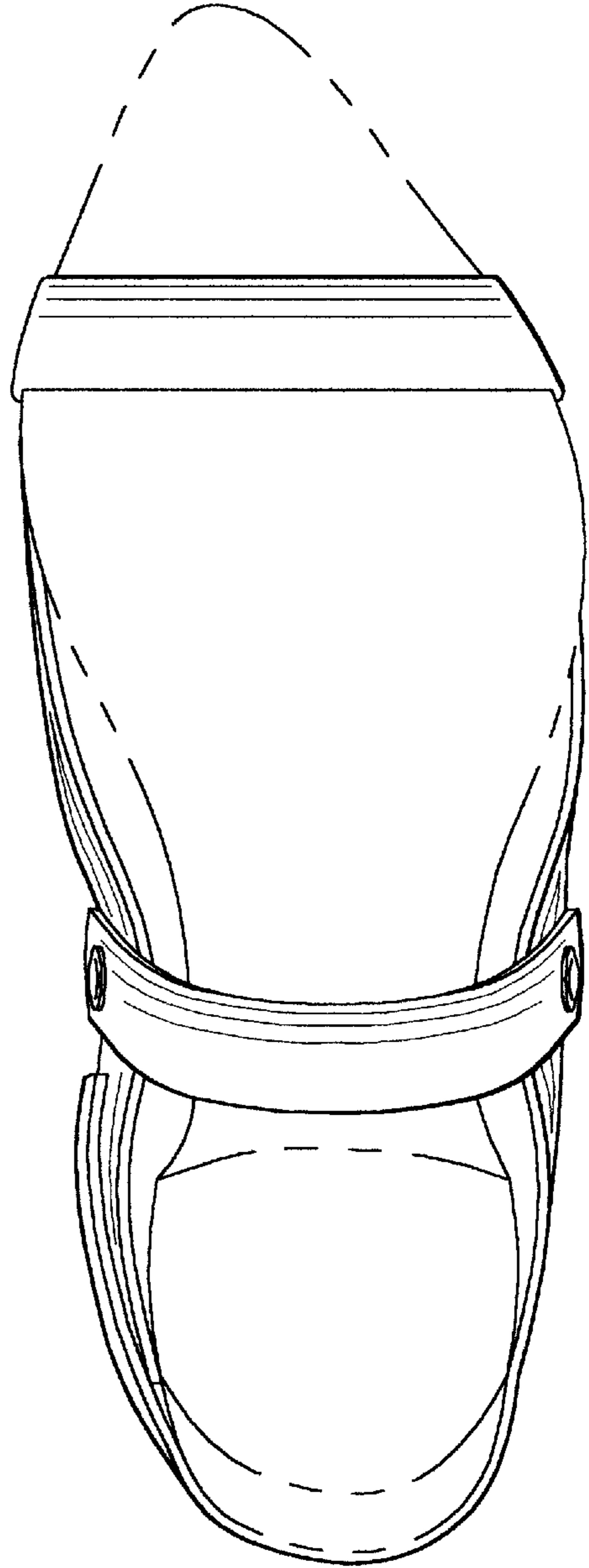


FIG. 4

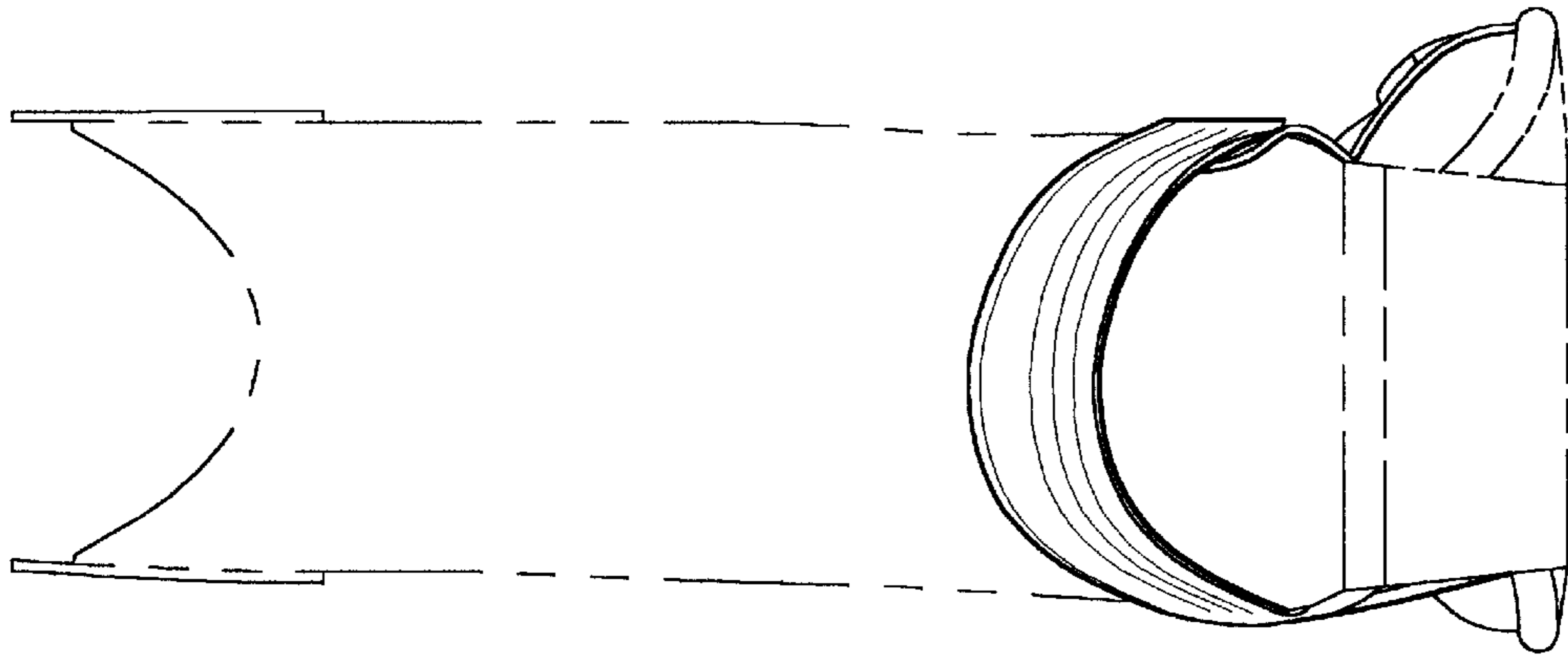


FIG. 6

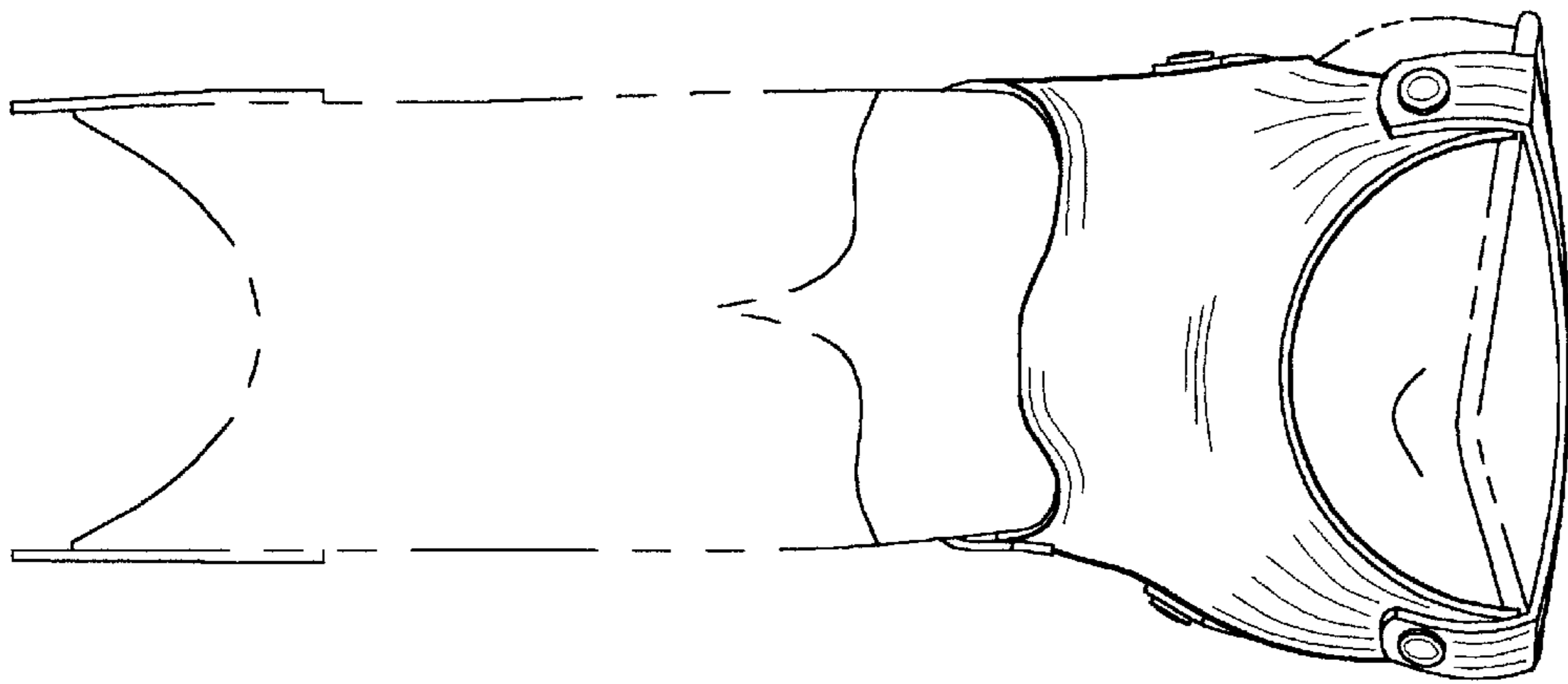


FIG. 5

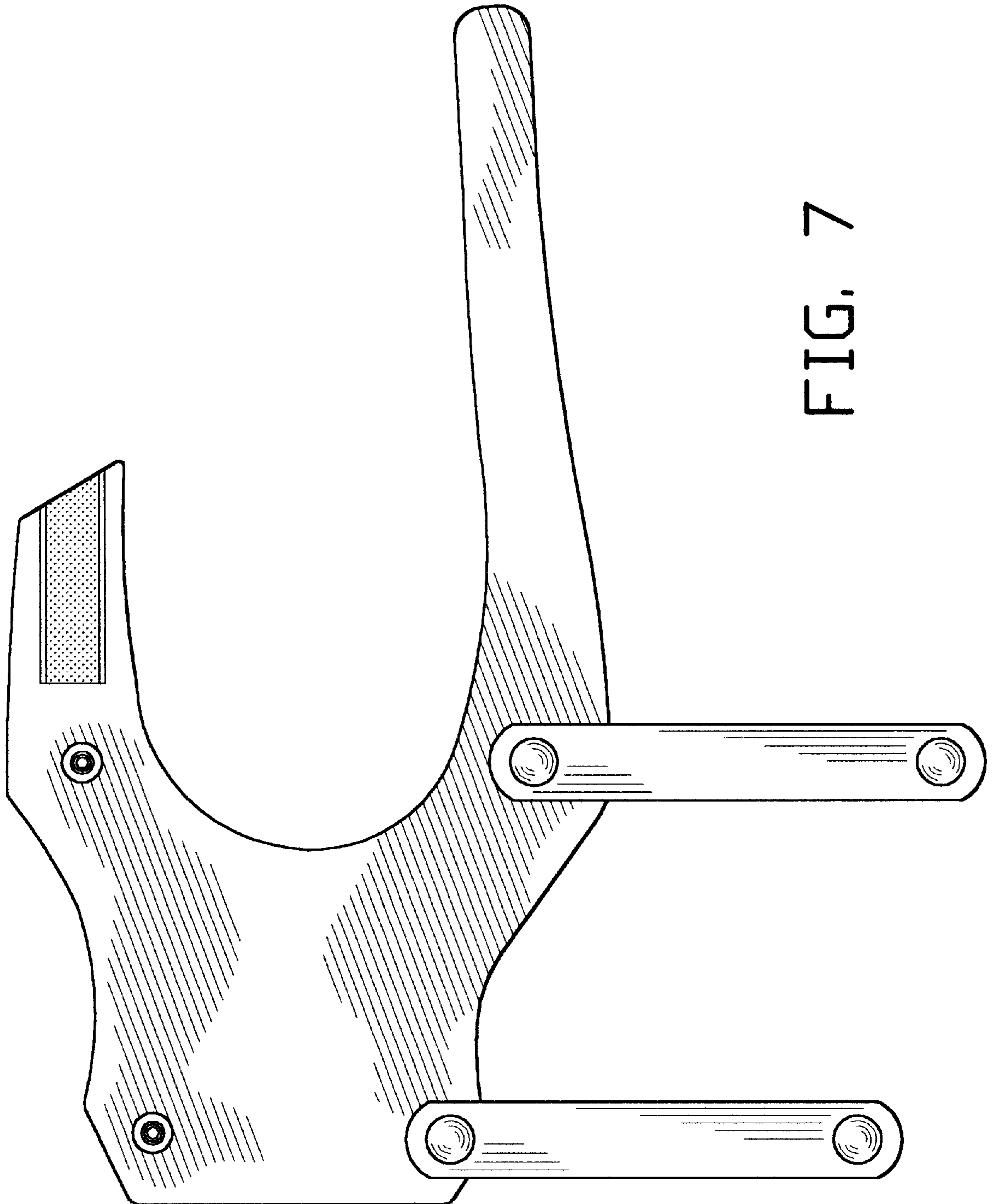


FIG. 7

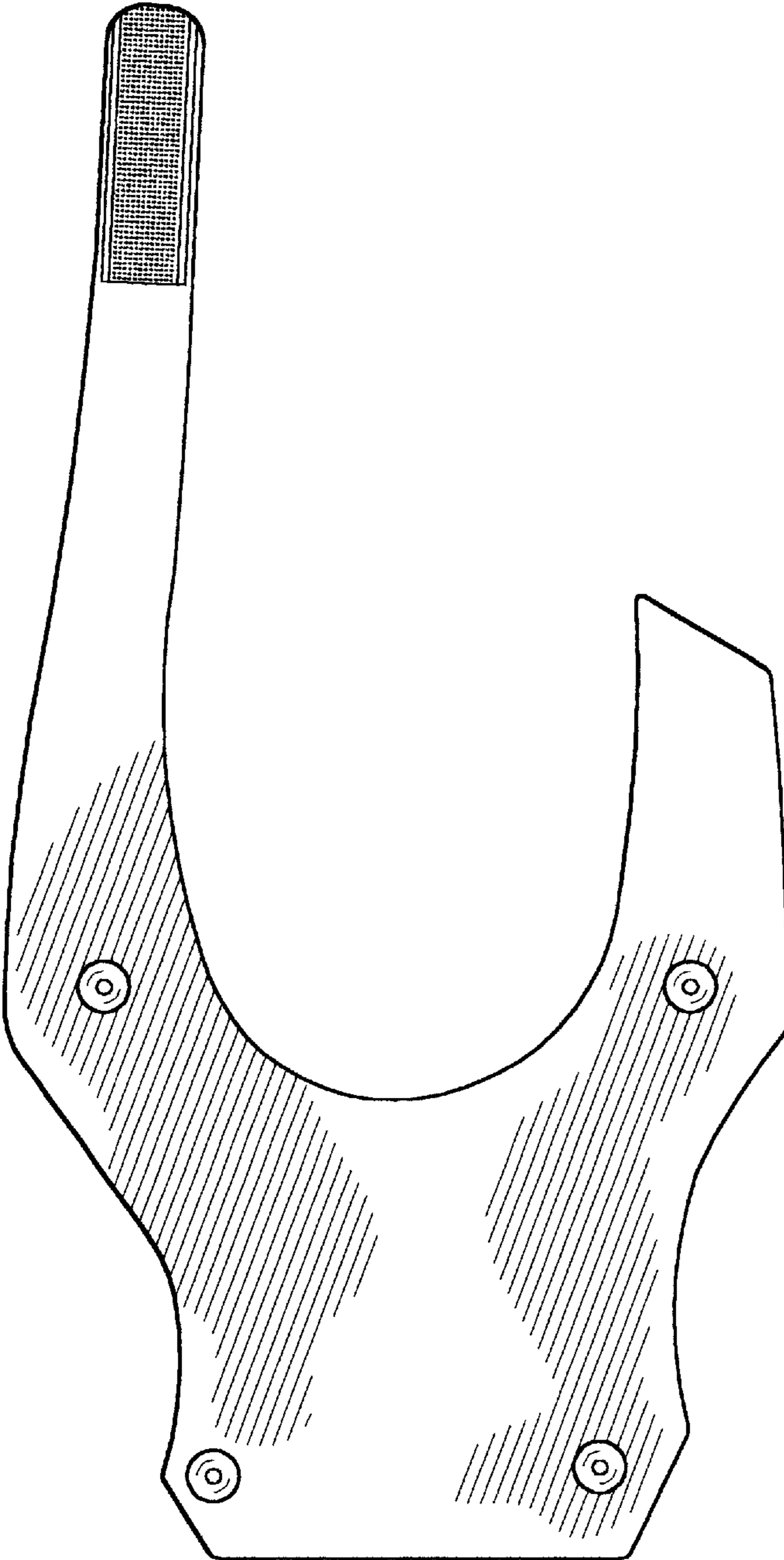


FIG. 8



FIG. 9



FIG. 10



FIG. 11

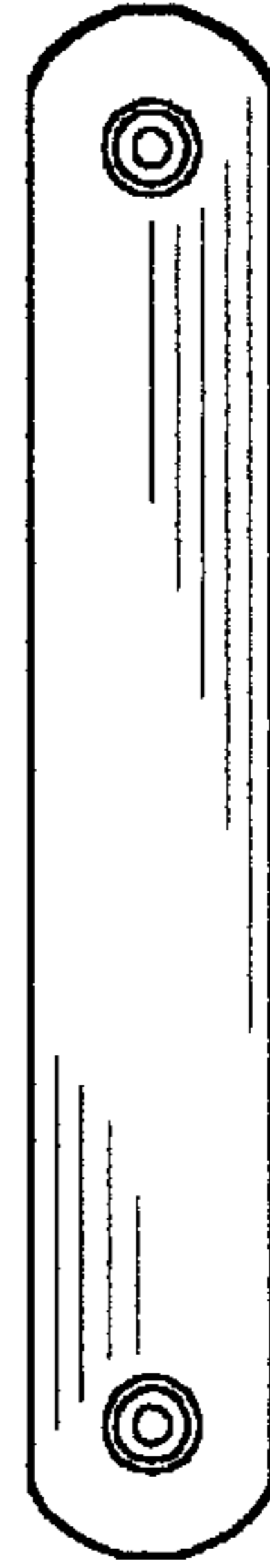


FIG. 12

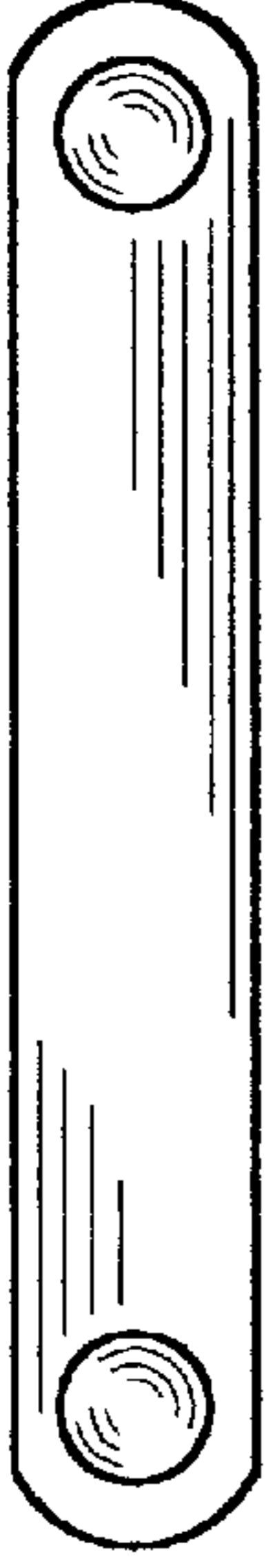


FIG. 13

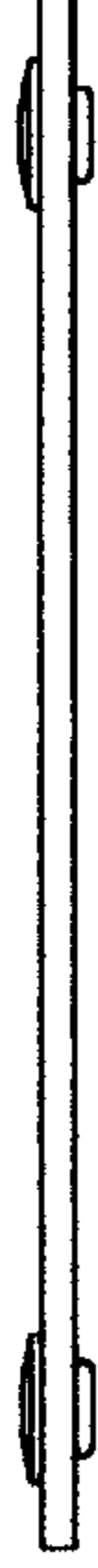


FIG. 14



FIG. 15