



US00D450168B1

(12) **United States Design Patent**
Liao

(10) **Patent No.:** **US D450,168 S**

(45) **Date of Patent:** **** Nov. 6, 2001**

(54) **GOLF CART**

D. 438,357 * 2/2001 Wu D34/15
6,099,024 * 8/2000 Liao 280/655

(75) Inventor: **Gordon Liao, Yung Kang (TW)**

* cited by examiner

(73) Assignee: **Unique Product & Design Co., Ltd.,
Tainan Hsien (TW)**

Primary Examiner—Kay H. Chin

(**) Term: **14 Years**

(74) *Attorney, Agent, or Firm*—Pro-Tecltor International
Services

(21) Appl. No.: **29/142,186**

(57) **CLAIM**

(22) Filed: **May 21, 2001**

The ornamental design for a golf cart, as shown and
described.

(51) **LOC (7) Cl.** **12-02**

DESCRIPTION

(52) **U.S. Cl.** **D34/15**

(58) **Field of Search** D34/12-27; 280/39,
280/40, 645, 651, 652, 655, 47.17, 47.18,
47.131, 47.24, 47.315, 47.26, 47.27, DIG. 6

FIG. 1 is a perspective view of a golf cart showing my new
design;

FIG. 2 is a right side elevational view thereof;

FIG. 3 is a top plan view thereof;

FIG. 4 is a front elevational view thereof;

FIG. 5 is a bottom plan view thereof;

FIG. 6 is a left side elevational view thereof; and,

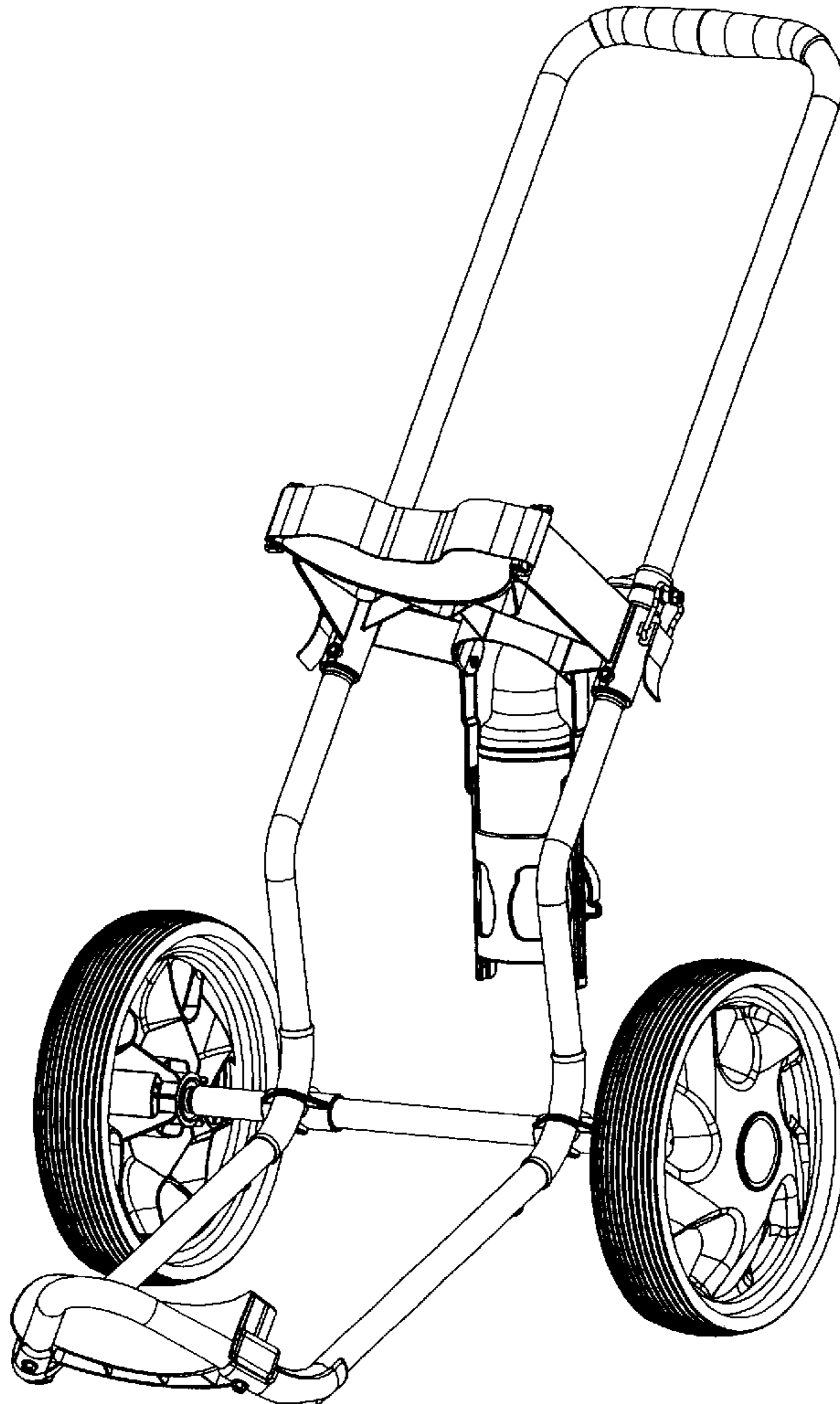
FIG. 7 is a rear elevational view.

(56) **References Cited**

U.S. PATENT DOCUMENTS

D. 436,707 * 1/2001 Liao D34/15
D. 437,097 * 1/2001 Liao D34/15
D. 437,985 * 2/2001 Wu D34/15

1 Claim, 7 Drawing Sheets



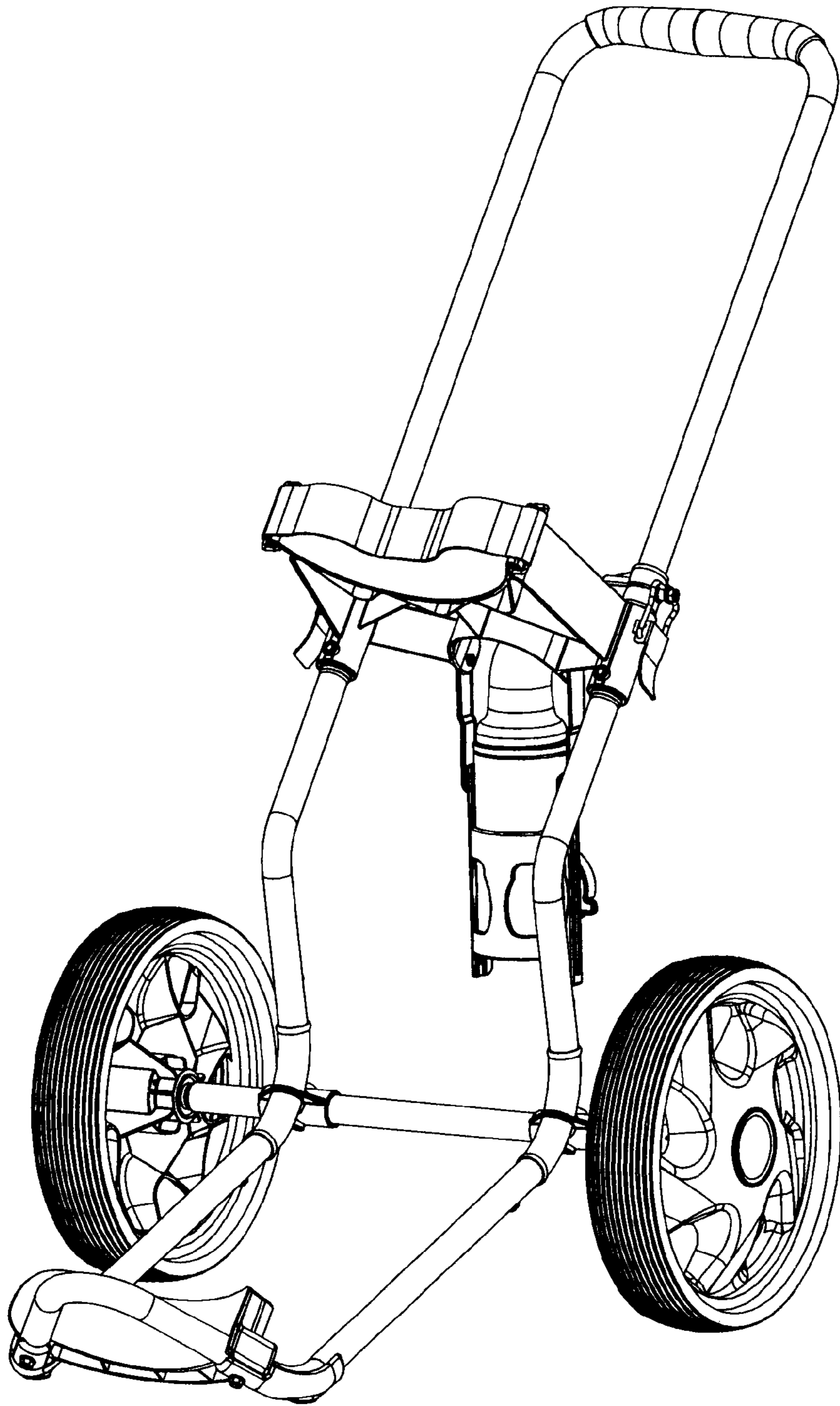


FIG. 1

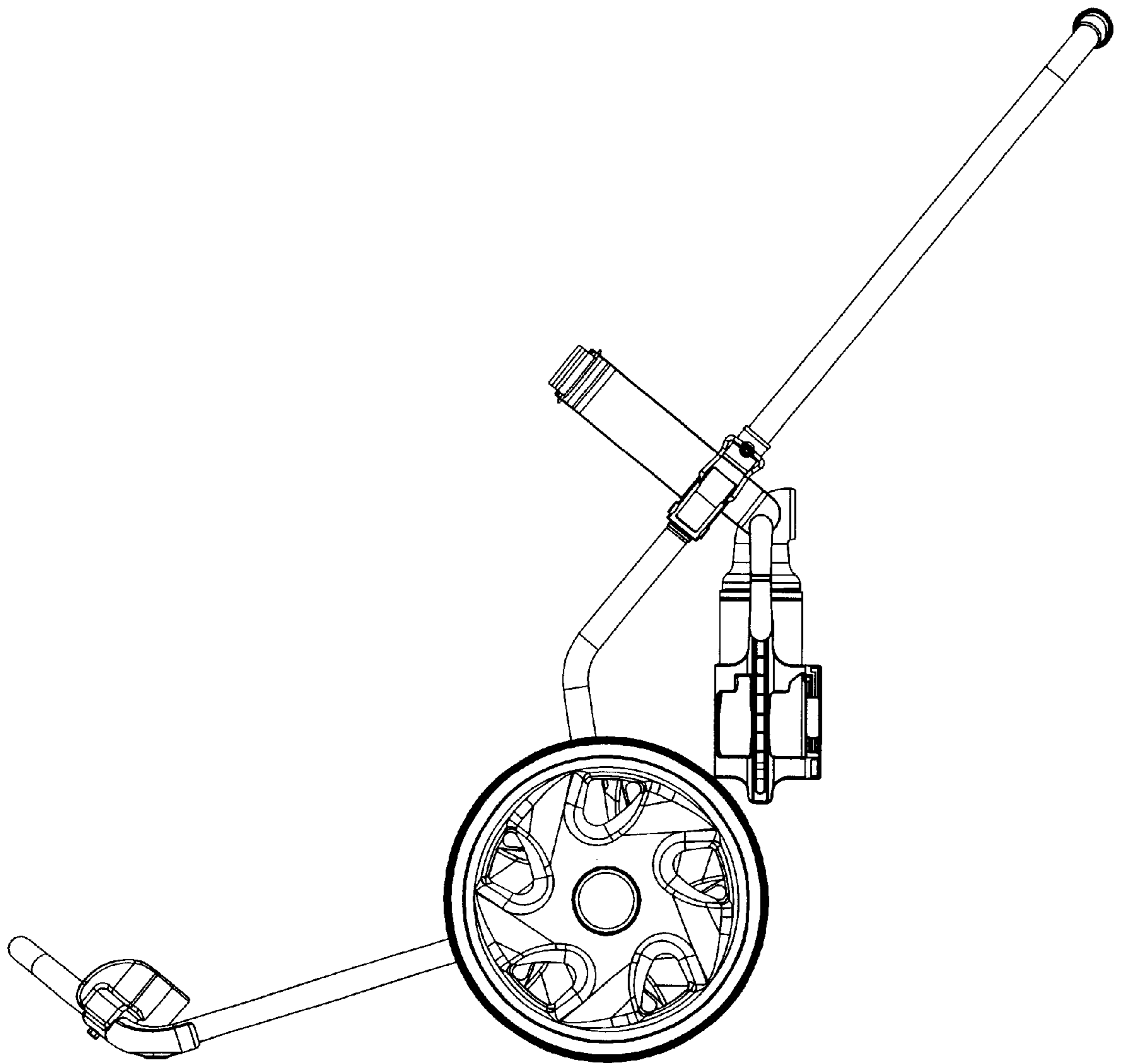


FIG. 2

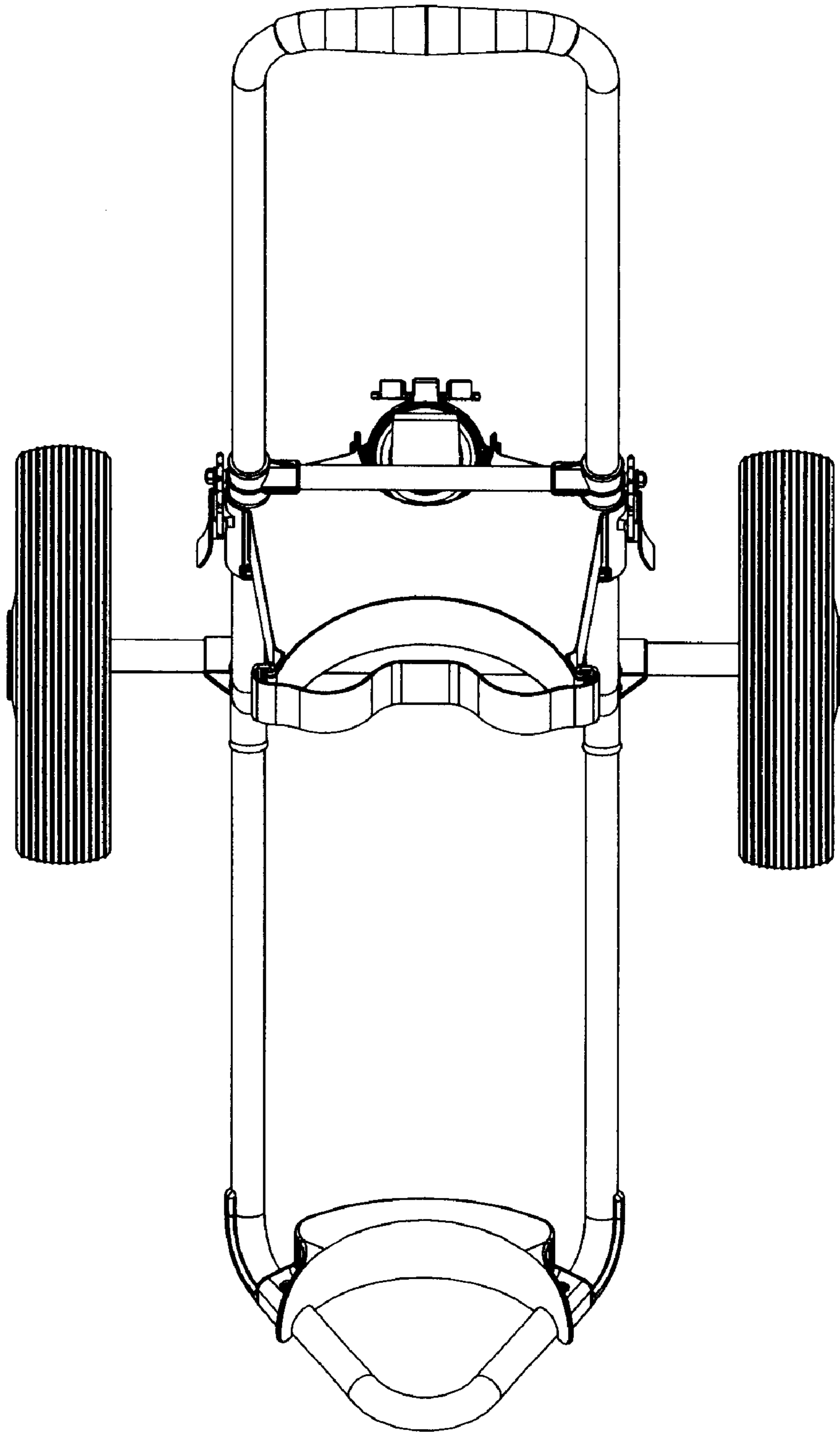


FIG. 3

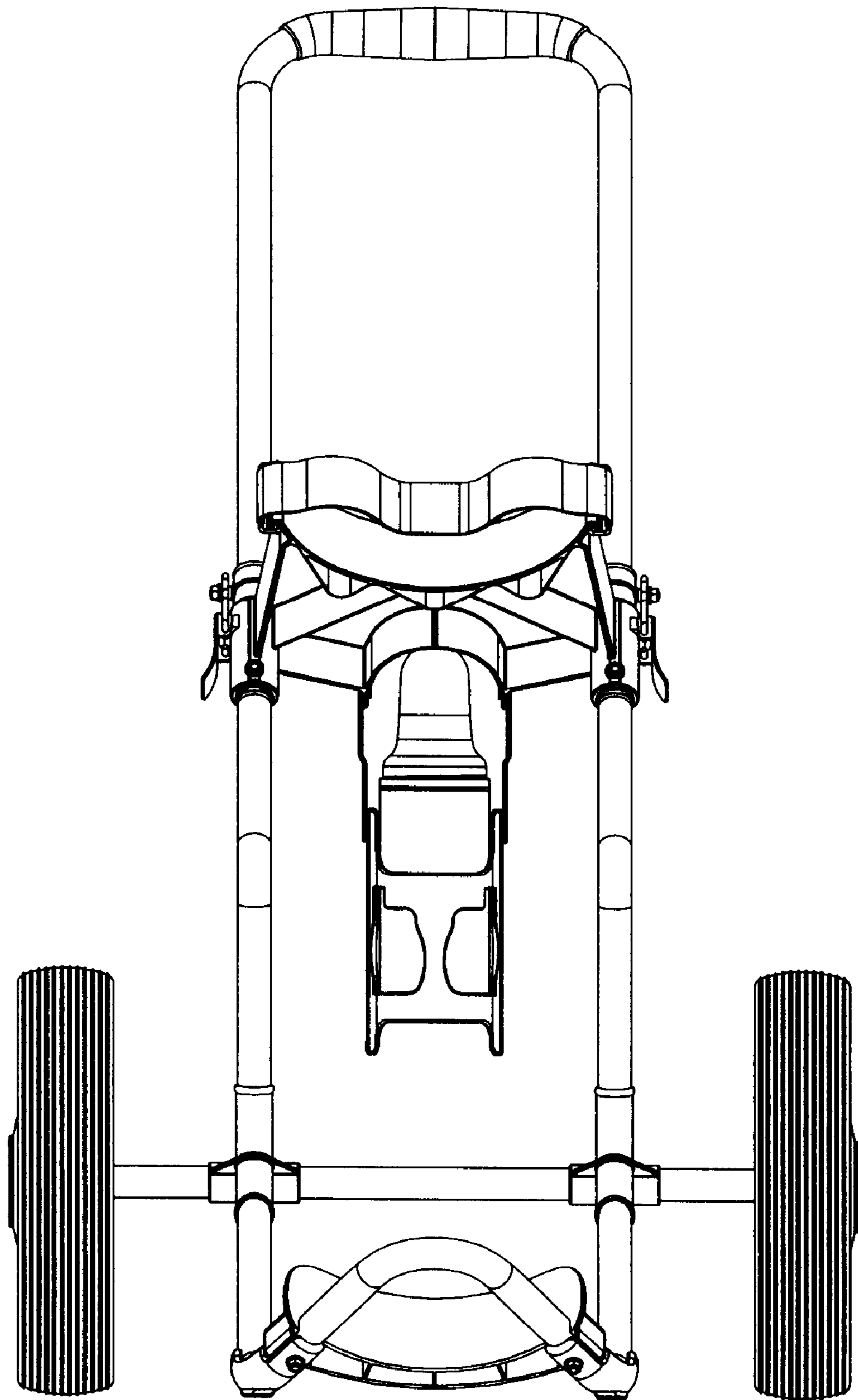


FIG. 4

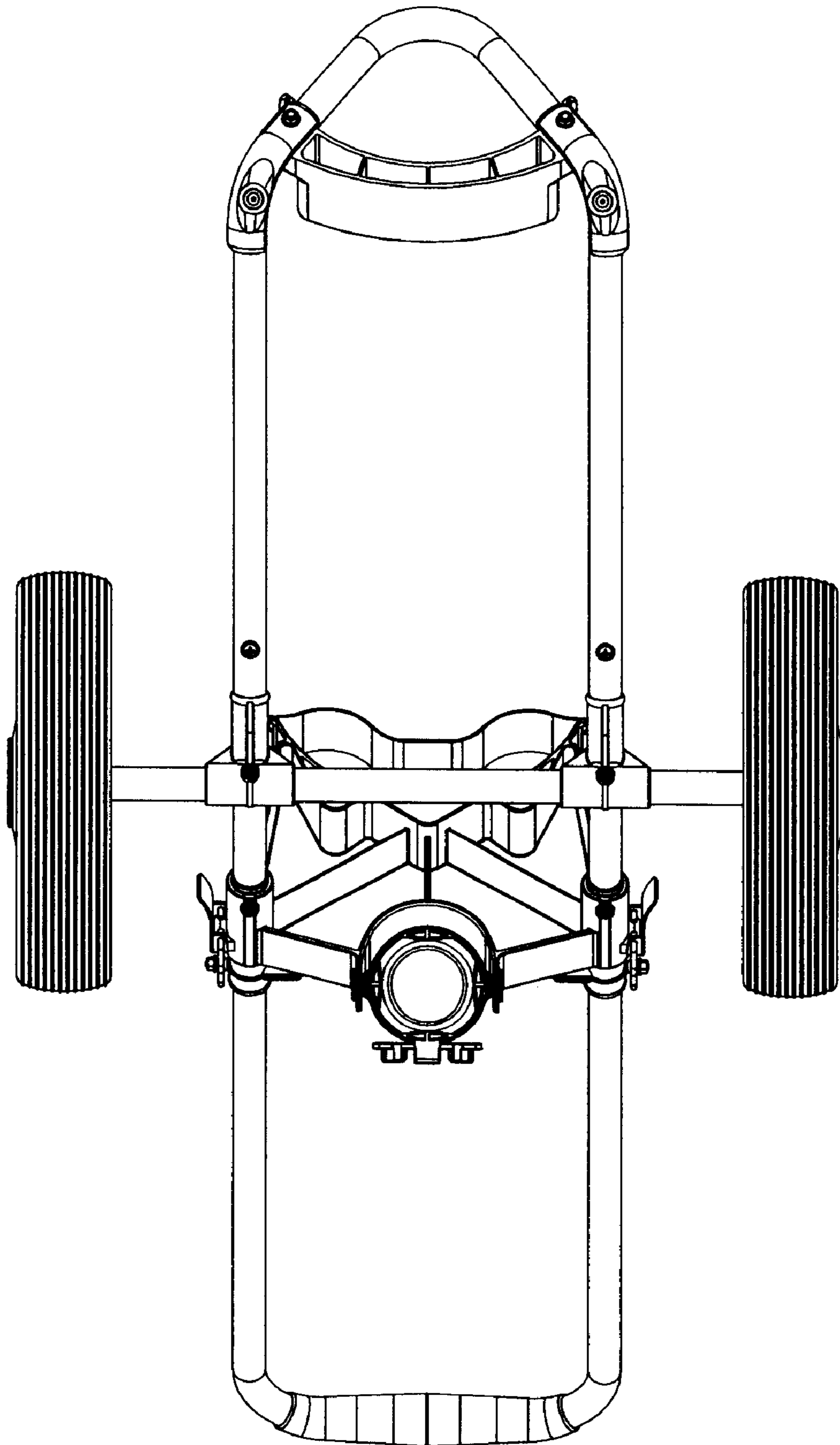


FIG. 5

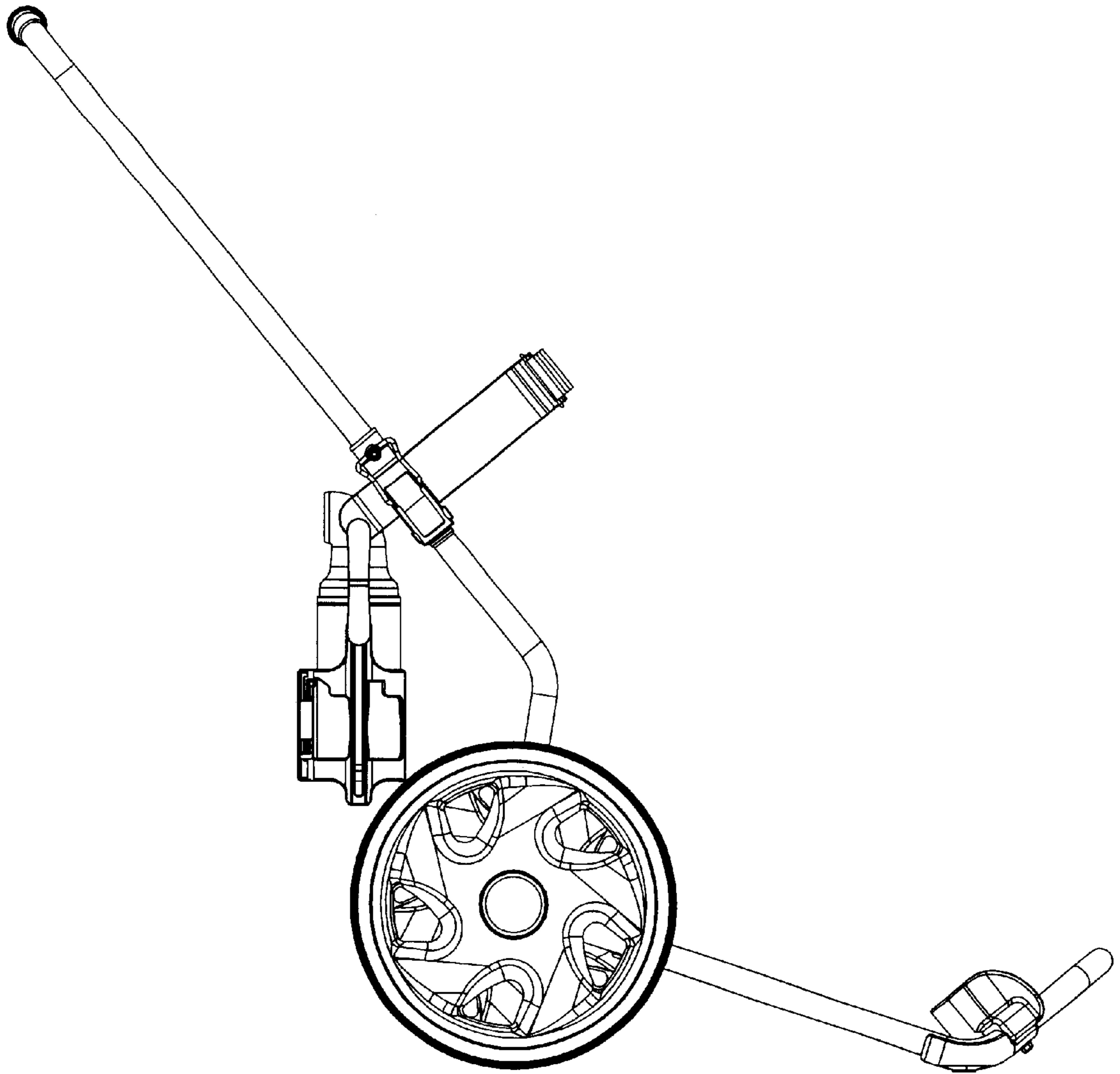


FIG. 6

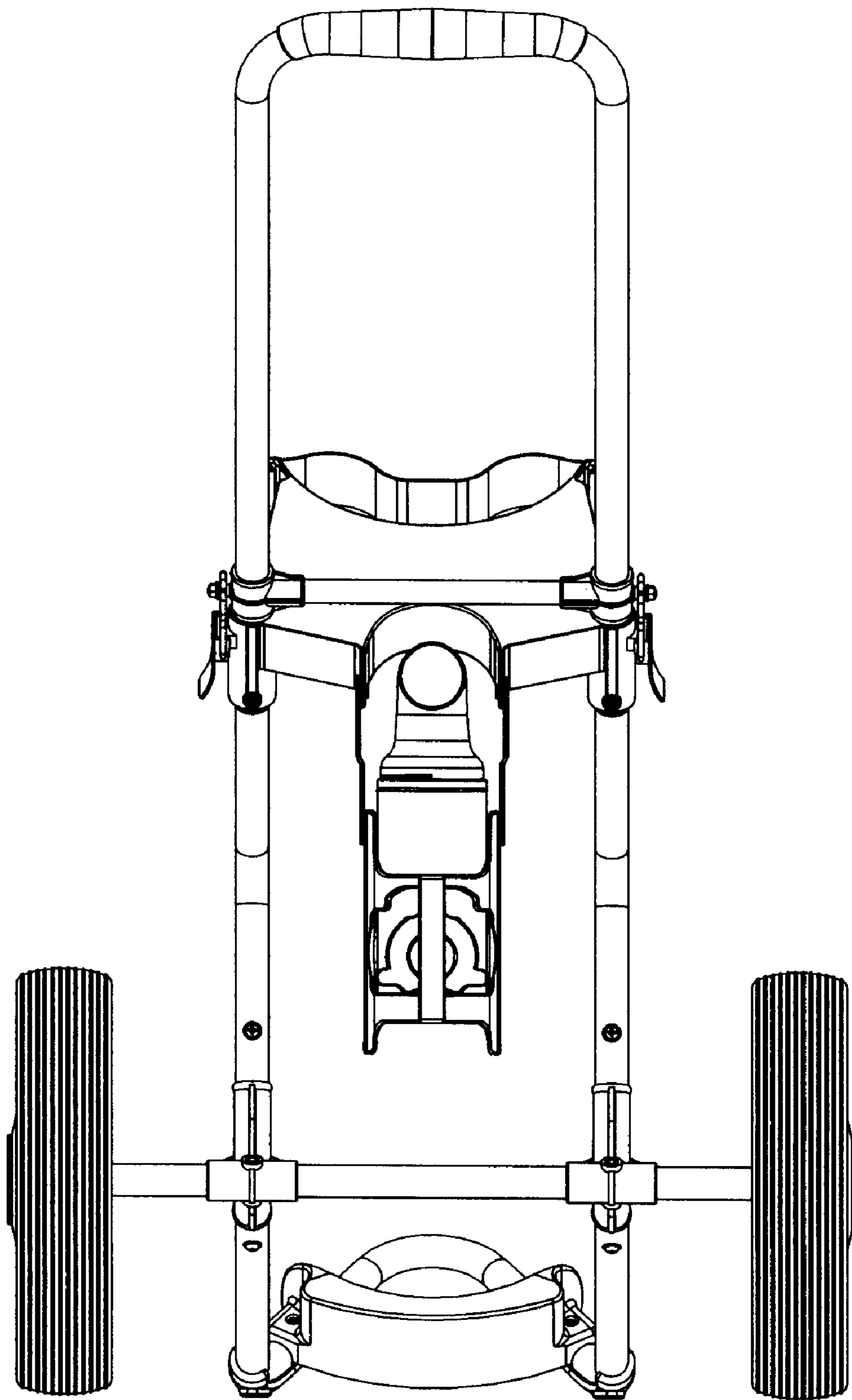


FIG. 7