



US00D450166B1

(12) **United States Design Patent**
Skalka

(10) **Patent No.:** **US D450,166 S**

(45) **Date of Patent:** **** Nov. 6, 2001**

(54) **TRASH CAN RECEPTACLE**

(75) Inventor: **Gerald P. Skalka**, Potomac, MD (US)

(73) Assignee: **Victor Stanley, Inc.**, Dunkirk, MD (US)

(**) Term: **14 Years**

(21) Appl. No.: **29/122,990**

(22) Filed: **May 9, 2000**

(51) **LOC (7) Cl.** **09-09**

(52) **U.S. Cl.** **D34/1; D34/7**

(58) **Field of Search** **D34/1, 5, 6, 10, D34/9; 220/908, 909, 910, 911**

(56) **References Cited**

U.S. PATENT DOCUMENTS

D. 51,368	10/1917	Ellis .	
D. 215,345	* 9/1969	Mangold et al.	D34/1
D. 304,253	* 10/1989	Skalka	D34/6
D. 306,928	3/1990	Hanna .	
D. 315,625	* 3/1991	Hallinan et al.	D34/1
D. 335,729	* 5/1993	Brussing	D34/1
D. 338,758	* 8/1993	Sexton et al.	D34/7
D. 343,709	* 1/1994	Doty et al.	D34/1
D. 349,379	* 8/1994	Starck	D34/1
D. 371,657	* 7/1996	Kirn et al.	D34/1
D. 381,158	* 7/1997	Kane	D34/1
D. 394,930	* 6/1998	Creske	D34/1
D. 417,053	* 11/1999	Skalka	D34/6
D. 421,824	* 3/2000	Hornyak	D34/1
D. 423,166	* 4/2000	Hornyak	D34/1
D. 424,769	* 5/2000	Hornyak	D34/1
1,080,470	12/1913	Nutter et al. .	
3,866,824	* 2/1975	Lewis	220/908
4,955,497	* 9/1990	Winden et al.	220/908
6,196,407	* 3/2001	Liu	220/909

* cited by examiner

Primary Examiner—Cynthia E. Ramirez
(74) *Attorney, Agent, or Firm*—Jacobson Holman, PLLC

(57) **CLAIM**

The ornamental design for a trash can receptacle, as shown and described.

DESCRIPTION

FIG. 1 is a perspective view of a trash can receptacle showing a first embodiment of my new design, shown with the door in a closed position.

FIG. 2 is a perspective view of the trash can receptacle of FIG. 1, shown with the door in an open position.

FIG. 3 is a left side elevational view of the trash can receptacle of FIG. 1, shown with the door in a closed position, the right side elevational view being a mirror image thereof.

FIG. 4 is a top plan view of the trash can receptacle of FIG. 1, shown with the door in a closed position.

FIG. 5 is a bottom plan view of the trash can receptacle of FIG. 1, shown with the door in a closed position.

FIG. 6 is a front elevational view of the trash can receptacle of FIG. 1, shown with the door in a closed position.

FIG. 7 is a rear elevational view of the trash can receptacle of FIG. 1, shown with the door in a closed position.

FIG. 8 is a left side elevational view of the trash can receptacle showing a second embodiment of my new design, shown with the door in a closed position, the second embodiment being identical to the first embodiment except for the width of the vertical bars, and the top view thereof being identical to the view of FIG. 4.

FIG. 9 is a bottom plan view of the trash can receptacle of FIG. 8, shown with the door in a closed position.

FIG. 10 is a left side elevational view of a trash can receptacle showing a third embodiment of my new design, shown with the door in a closed position, the third embodiment being identical to the first embodiment except for the width of the vertical bars, and the top view thereof being identical to the view of FIG. 4.

FIG. 11 is a bottom plan view of the trash can receptacle of FIG. 10, shown with the door in a closed position.

FIG. 12 is a perspective view of a trash can receptacle showing a fourth embodiment of my new design, shown with the door in a closed position.

FIG. 13 is a perspective view of the trash can receptacle of FIG. 12, shown with the door in an open position.

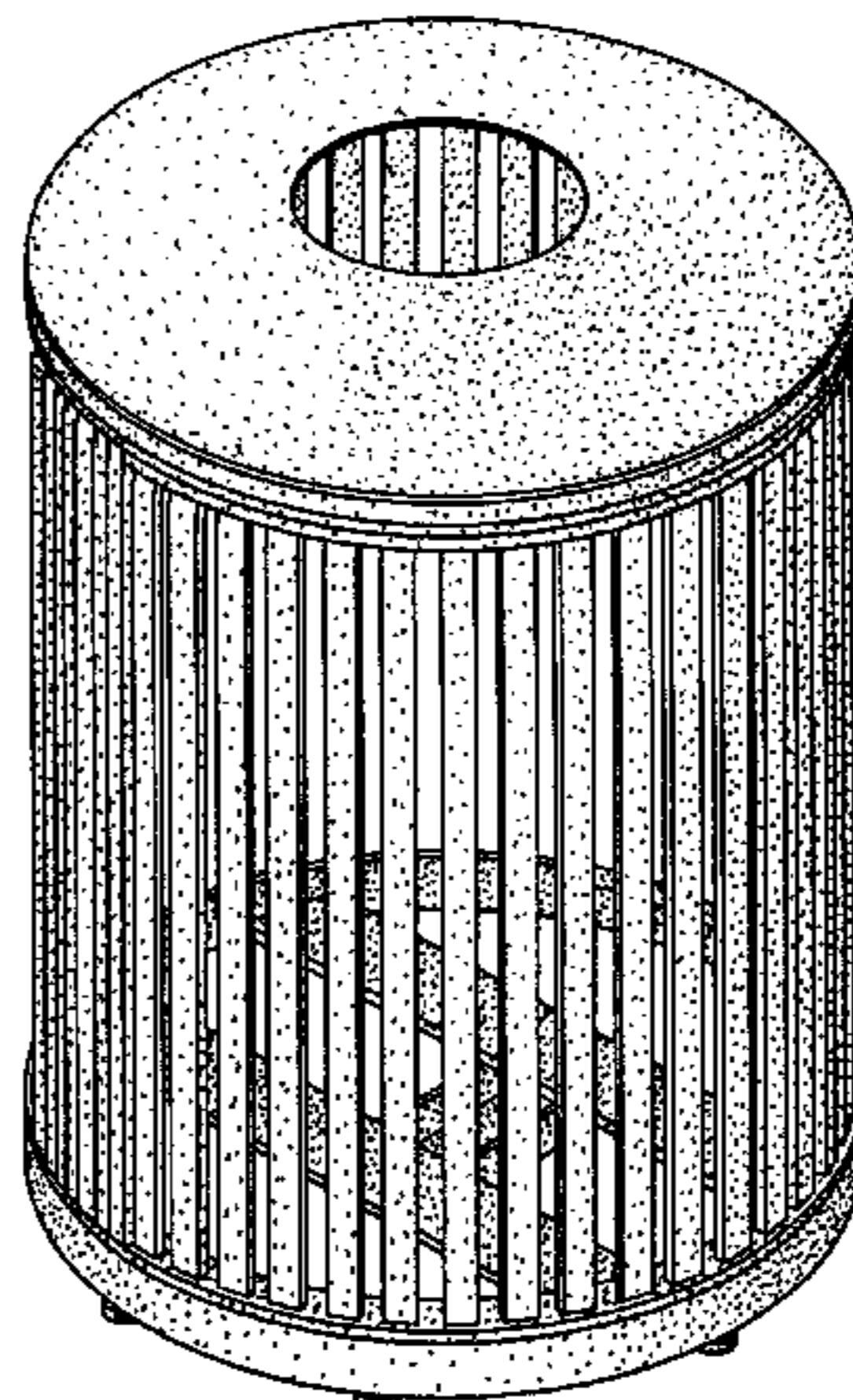
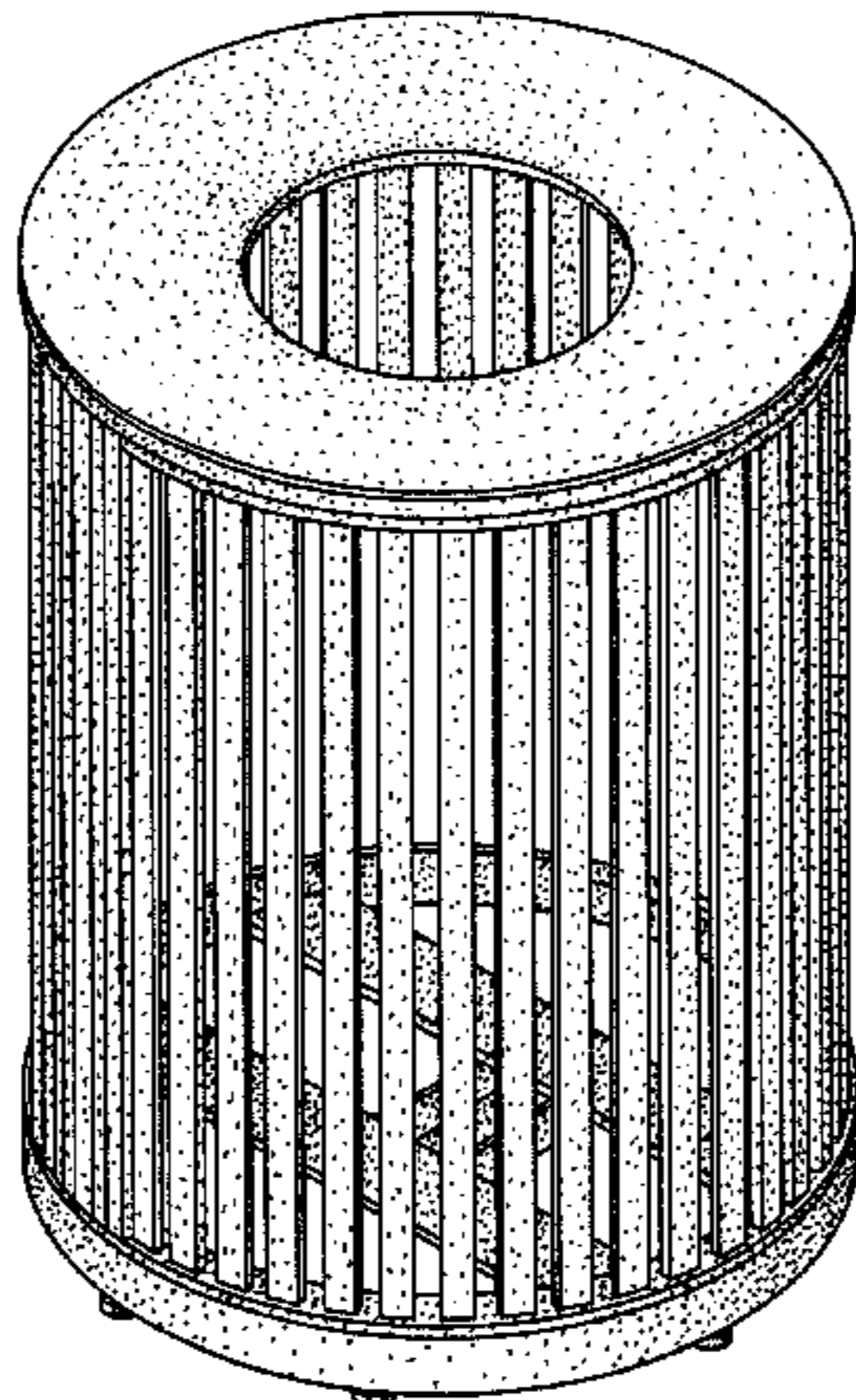


FIG. 14 is a left side elevational view of the trash can receptacle of FIG. 12, shown with the door in a closed position, the right side elevational view being a mirror image thereof.

FIG. 15 is a top plan view of the trash can receptacle of FIG. 12, shown with the door in a closed position.

FIG. 16 is a bottom plan view of the trash can receptacle of FIG. 12, shown with the door in a closed position.

FIG. 17 is a front elevational view of the trash can receptacle of FIG. 12, shown with the door in a closed position.

FIG. 18 is a rear elevational view of the trash can receptacle of FIG. 12, shown with the door in a closed position.

FIG. 19 is a left side elevational view of a trash can receptacle showing a fifth embodiment of my new design, shown with the door in a closed position, the fifth embodiment being identical to the fourth embodiment except for the width of the vertical bars, and the top view thereof being identical to the view of FIG. 15.

FIG. 20 is a bottom plan view of the trash can receptacle of FIG. 19, shown with the door in a closed position.

FIG. 21 is a left side elevational view of the trash can receptacle showing a sixth embodiment of my new design, shown with the door in a closed position, the sixth embodiment being identical to the fourth embodiment except for the width of the vertical bars, and the top view thereof being identical to the view of FIG. 15; and,

FIG. 22 is a bottom plan view of the trash can receptacle of FIG. 21, shown with the door in a closed position.

1 Claim, 8 Drawing Sheets

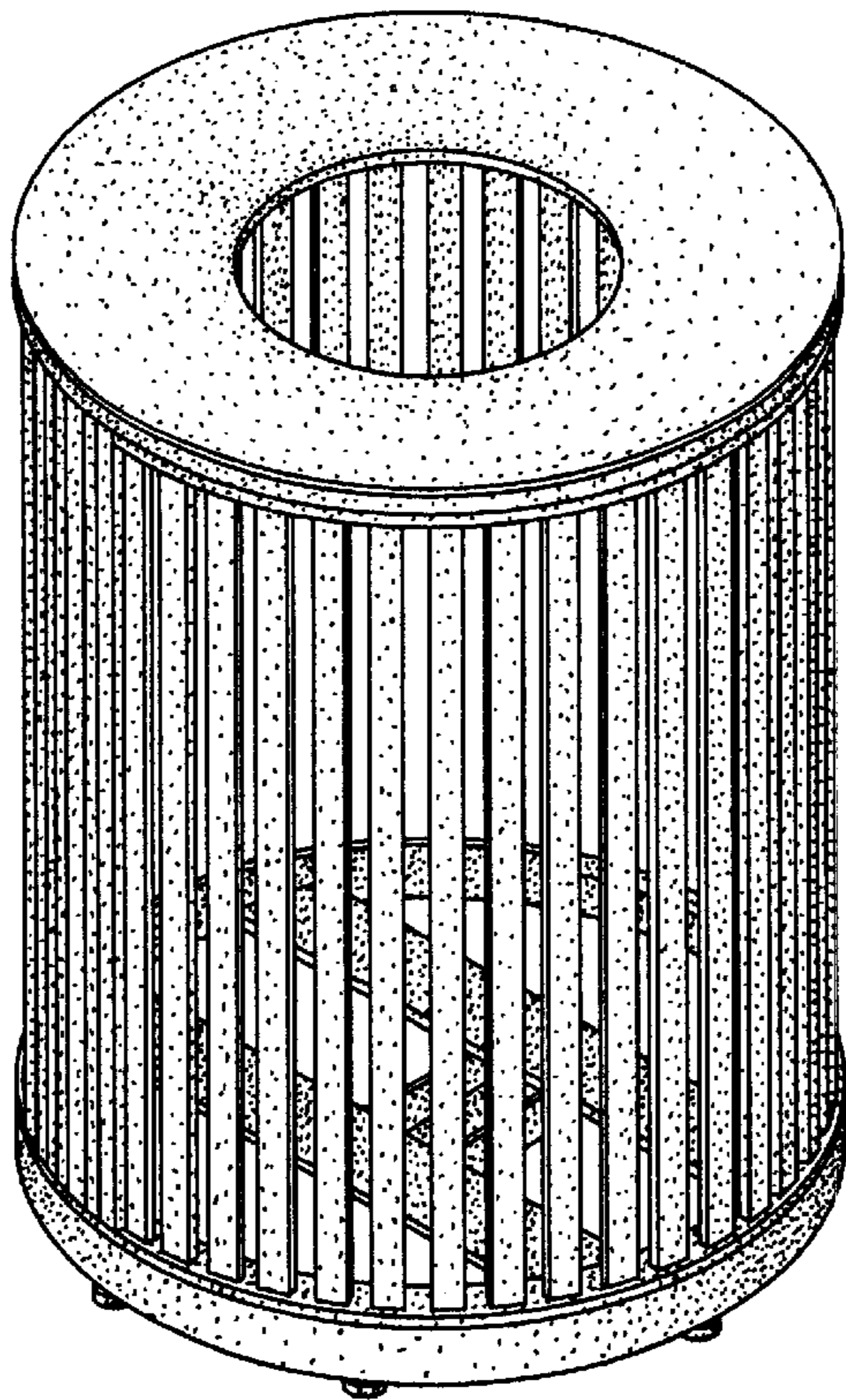


FIG. 1

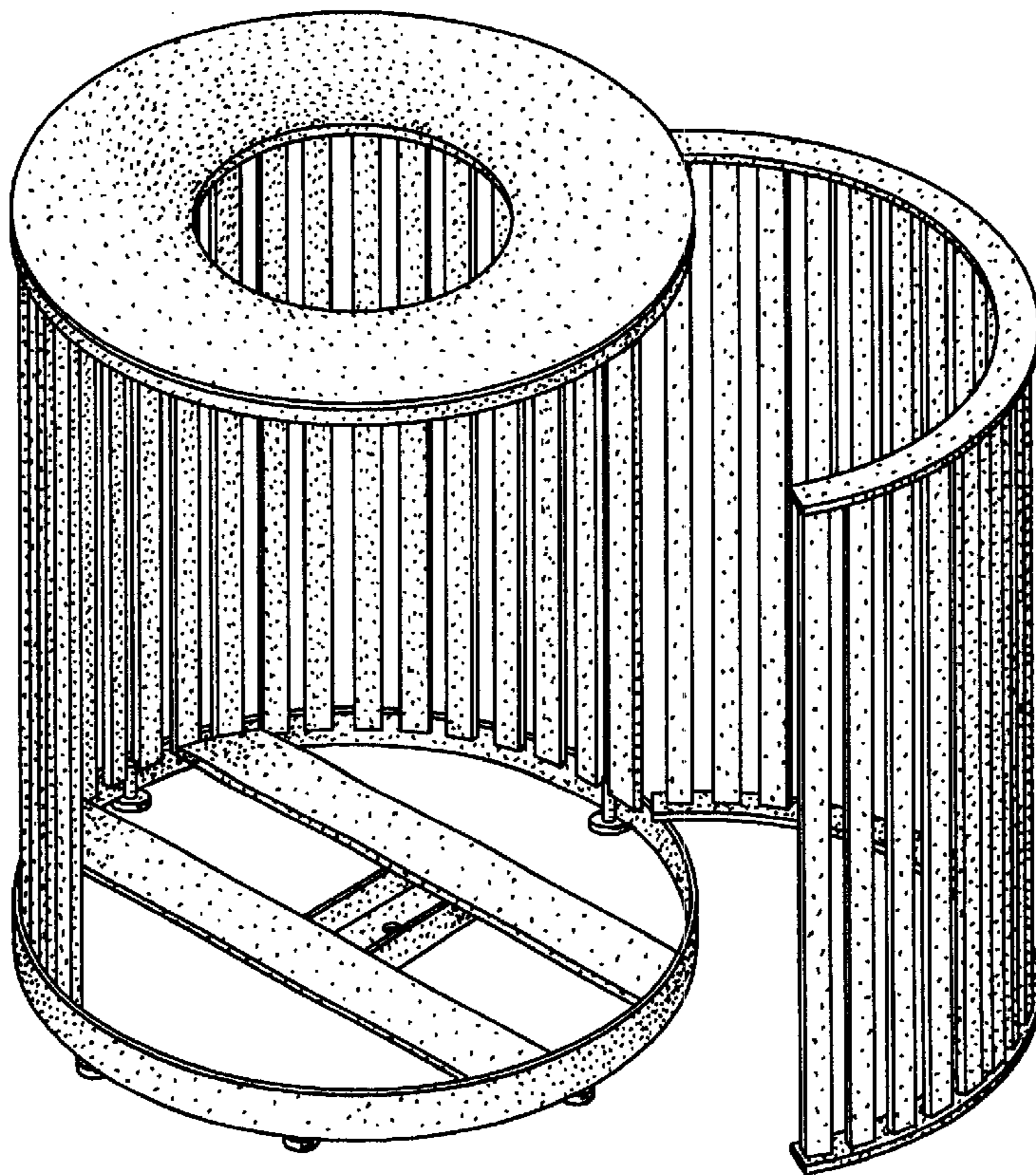


FIG. 2

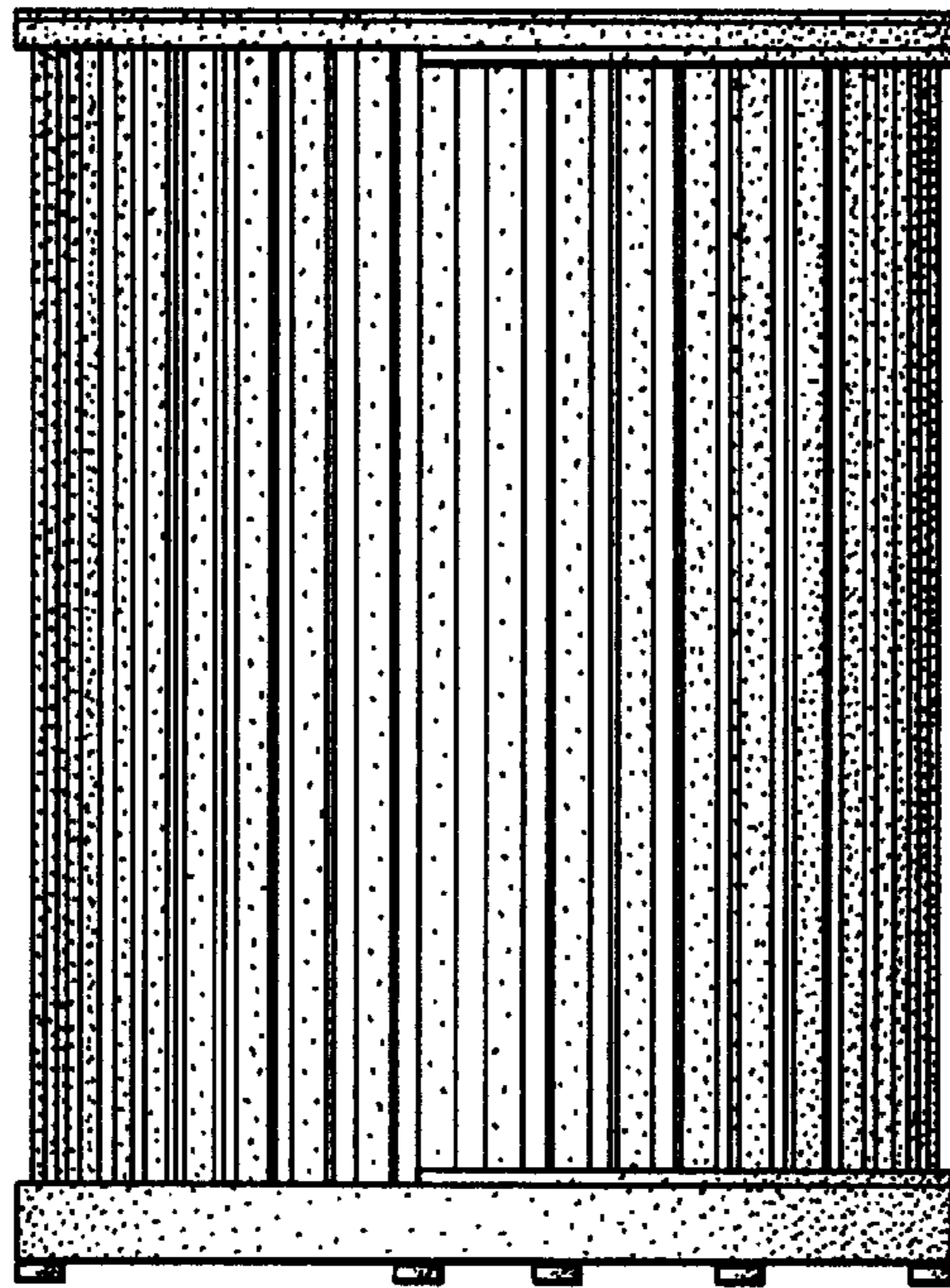


FIG. 3

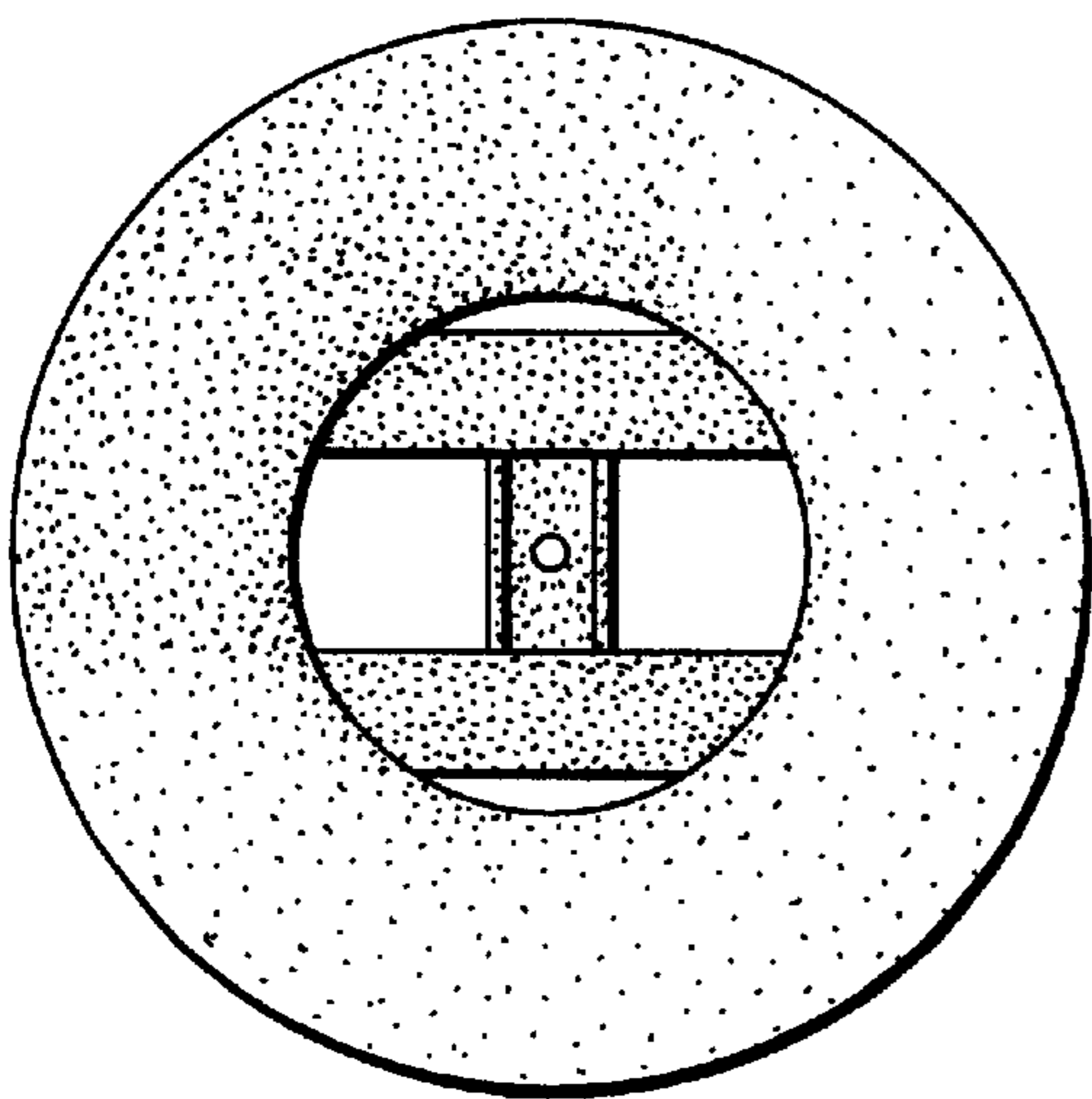


FIG. 4

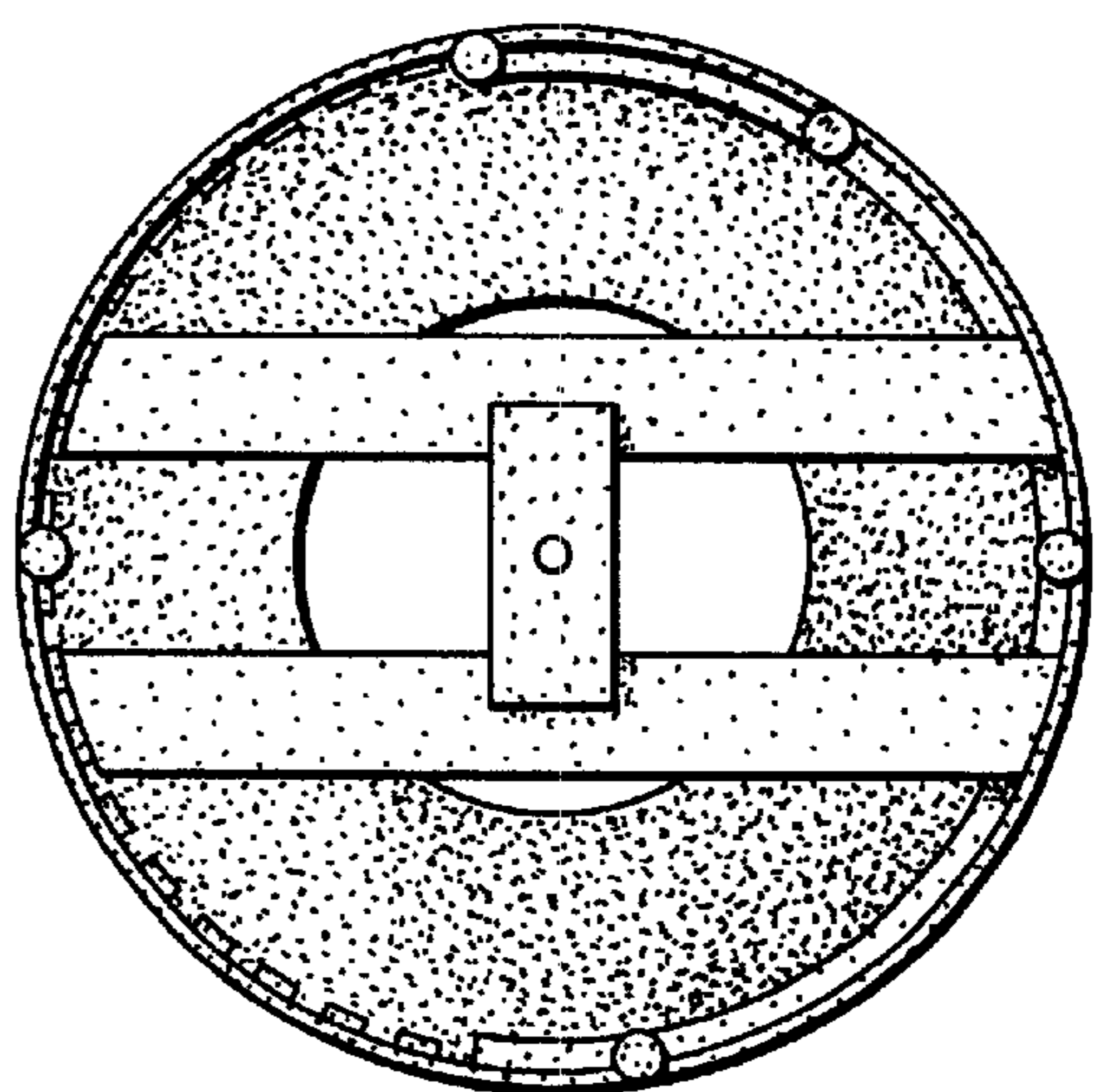


FIG. 5

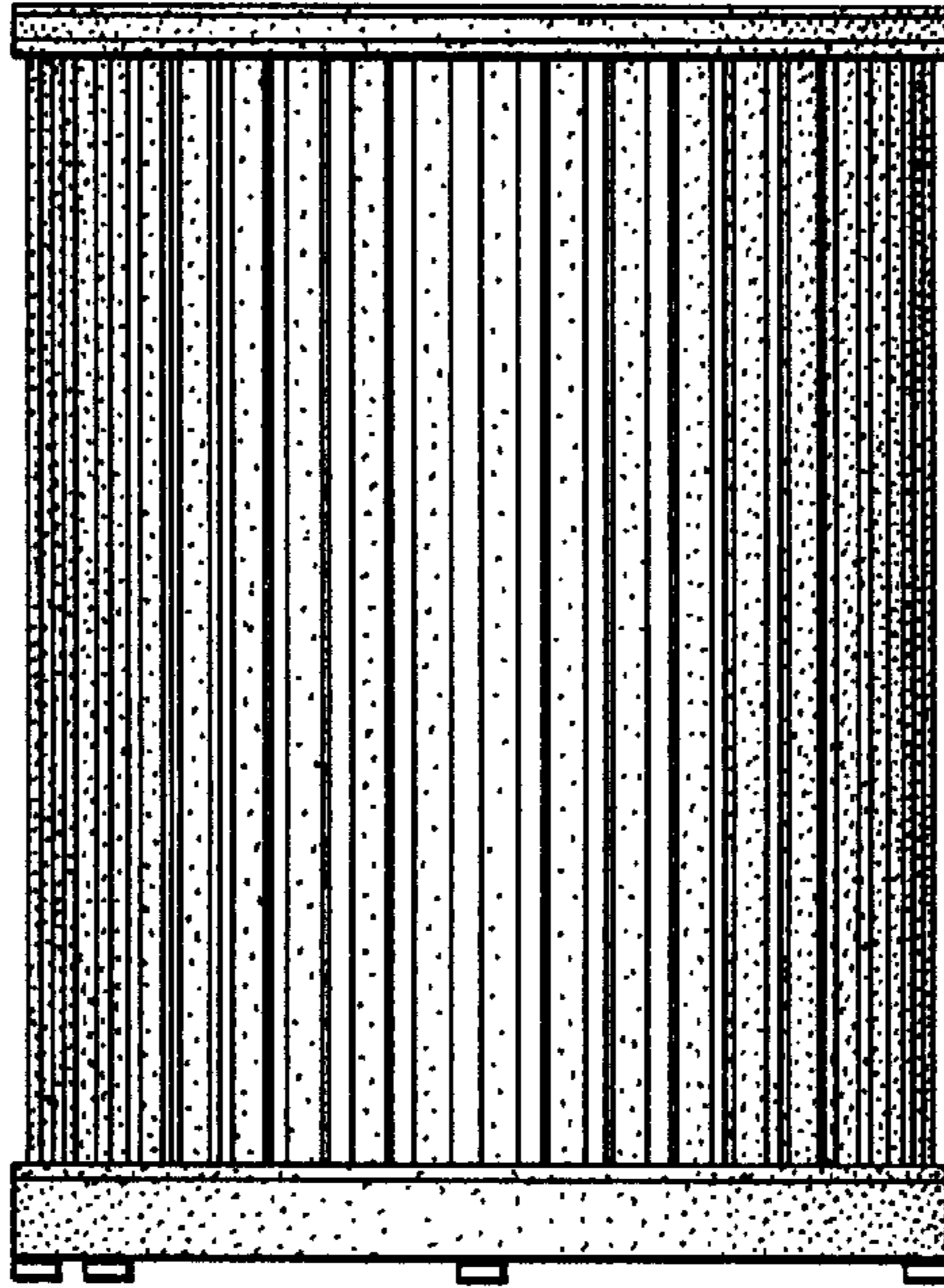


FIG. 6

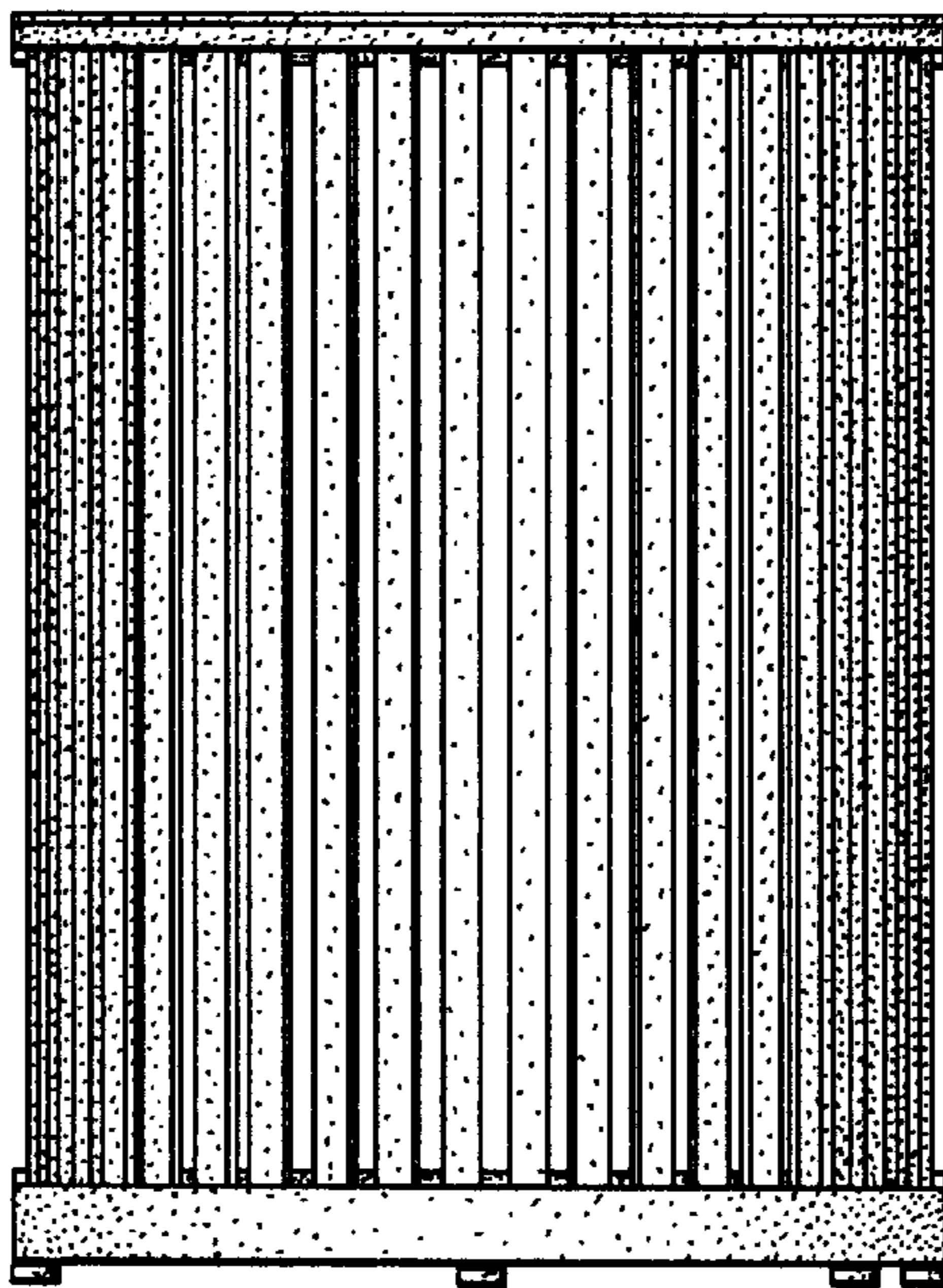


FIG. 7

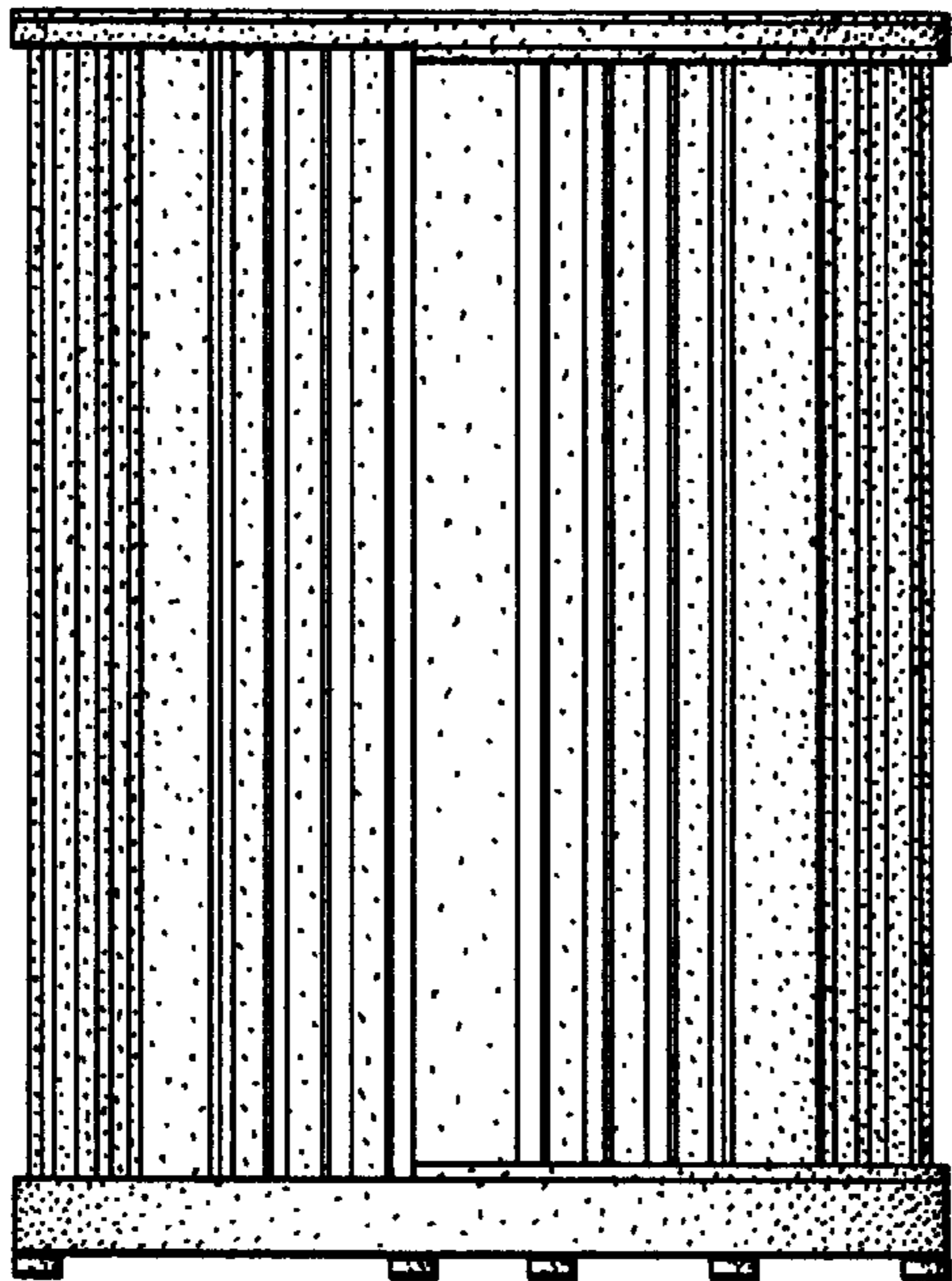


FIG. 8

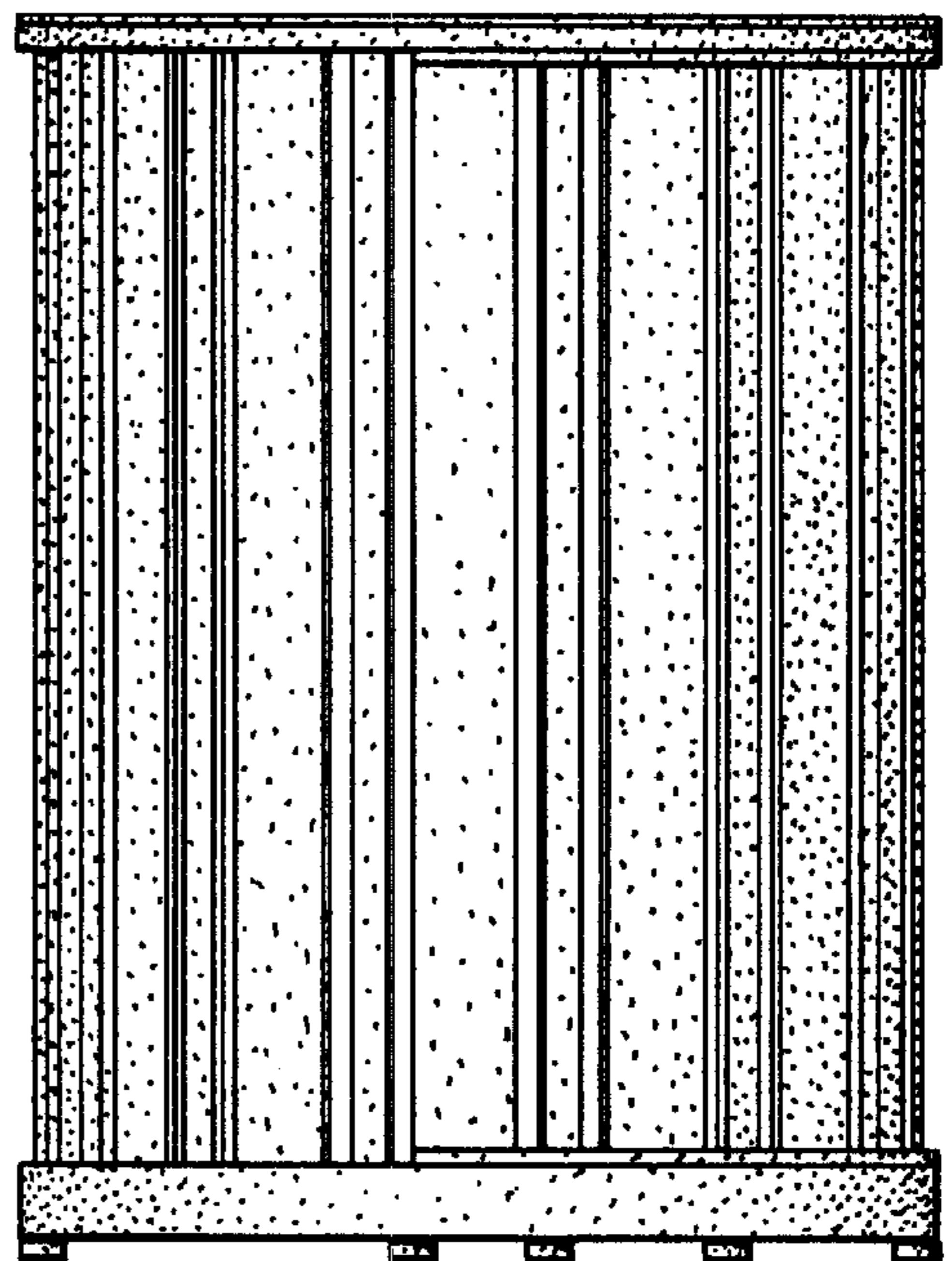


FIG. 10

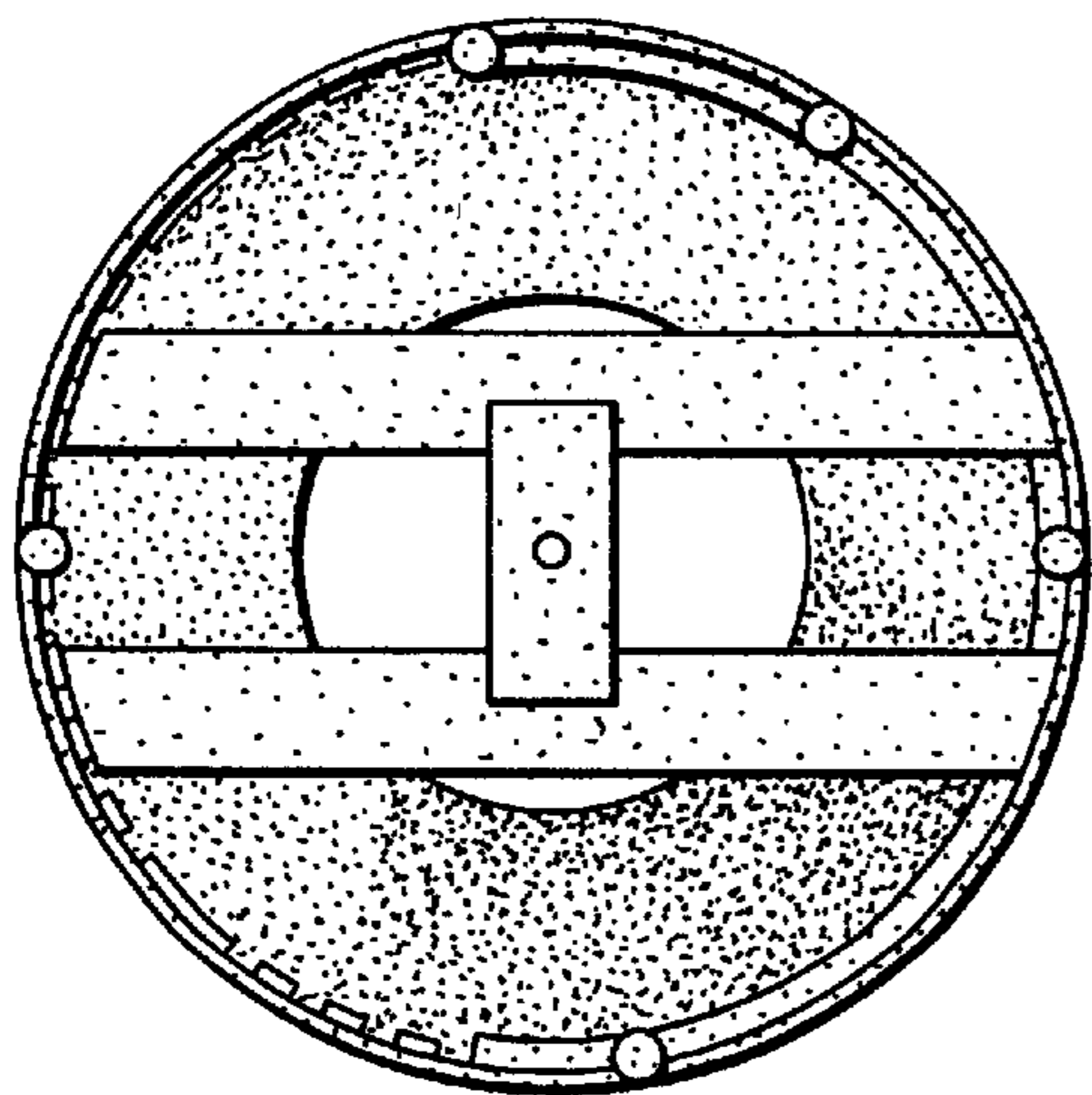


FIG. 9

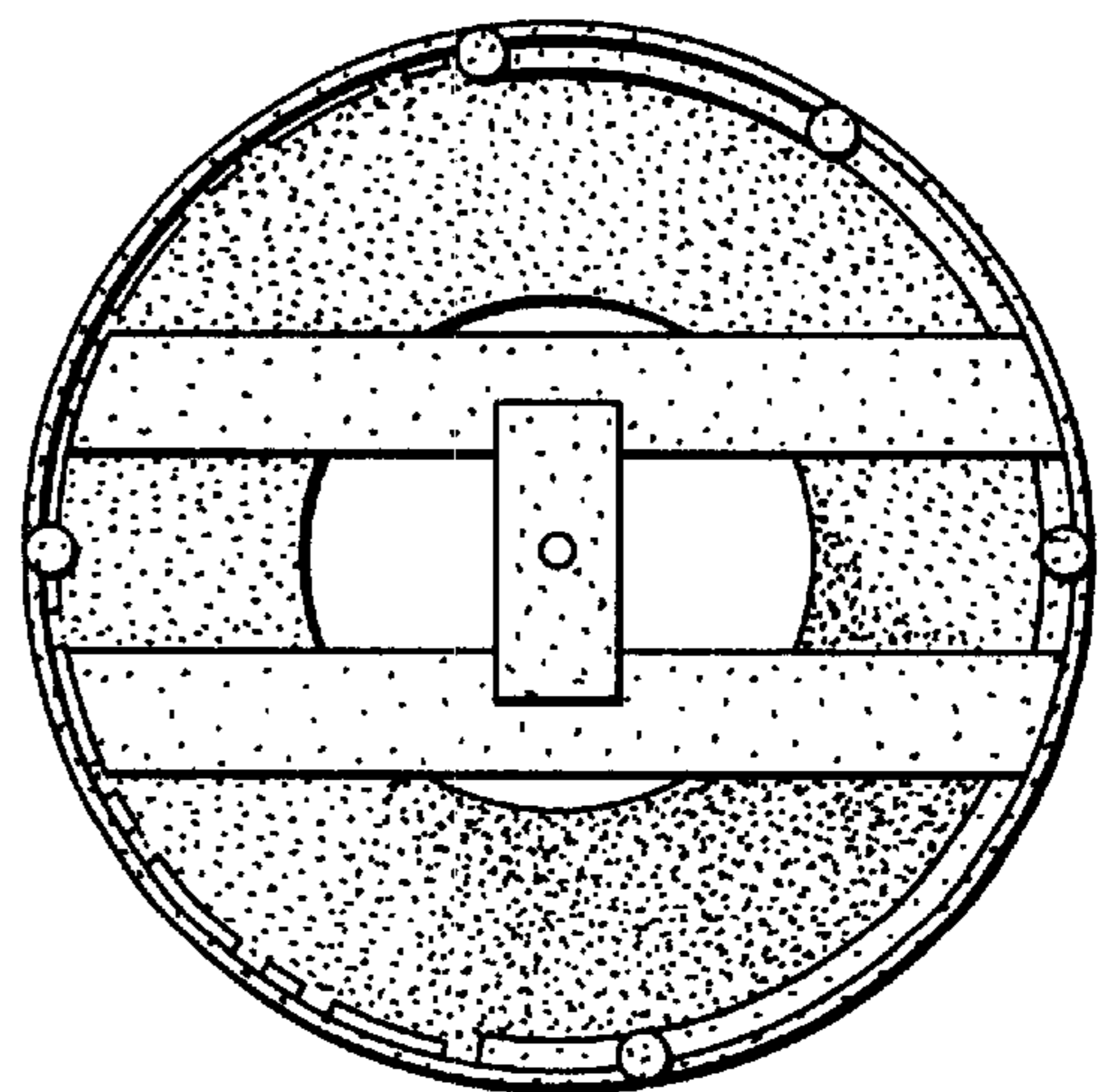


FIG. 11

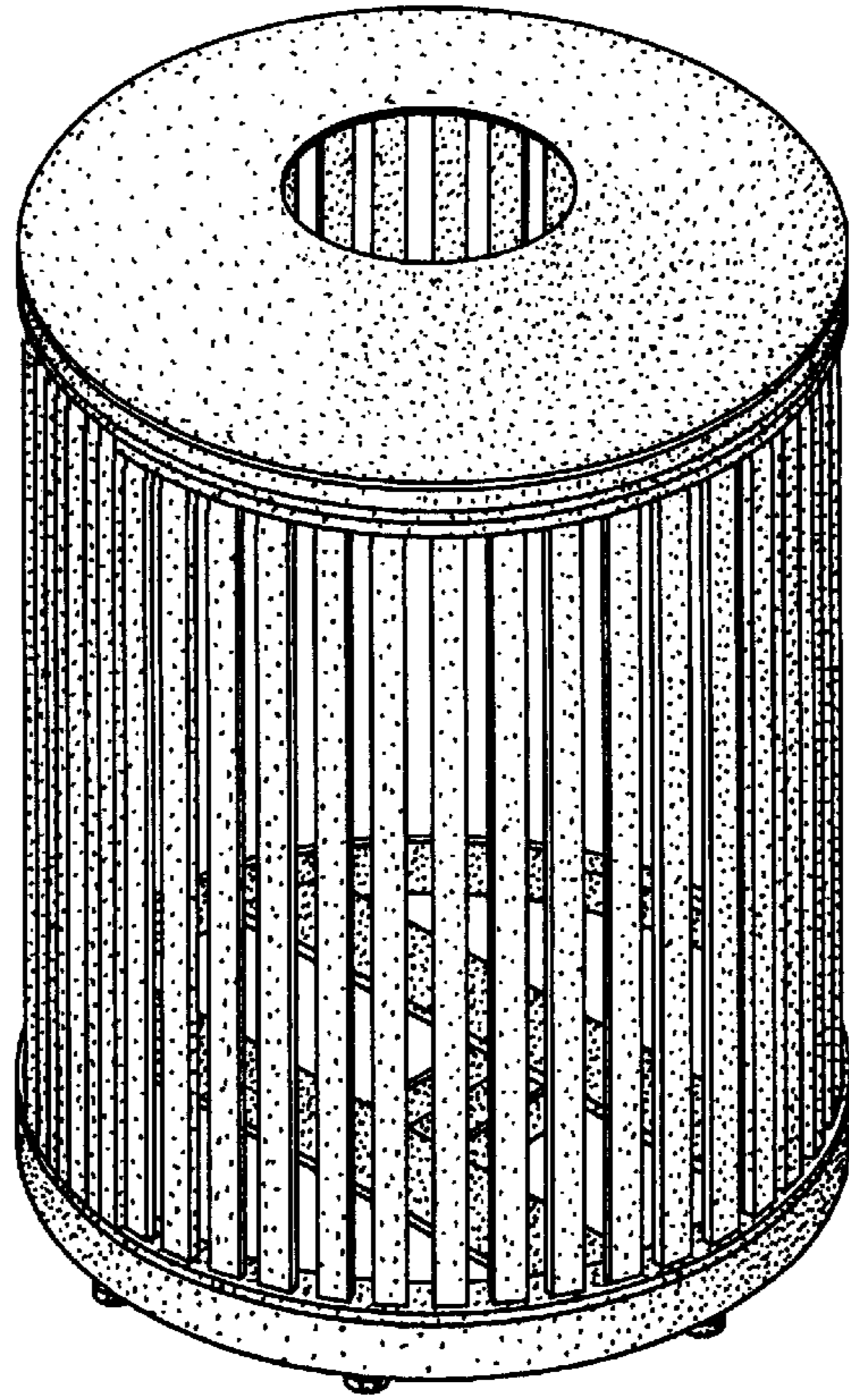


FIG. 12

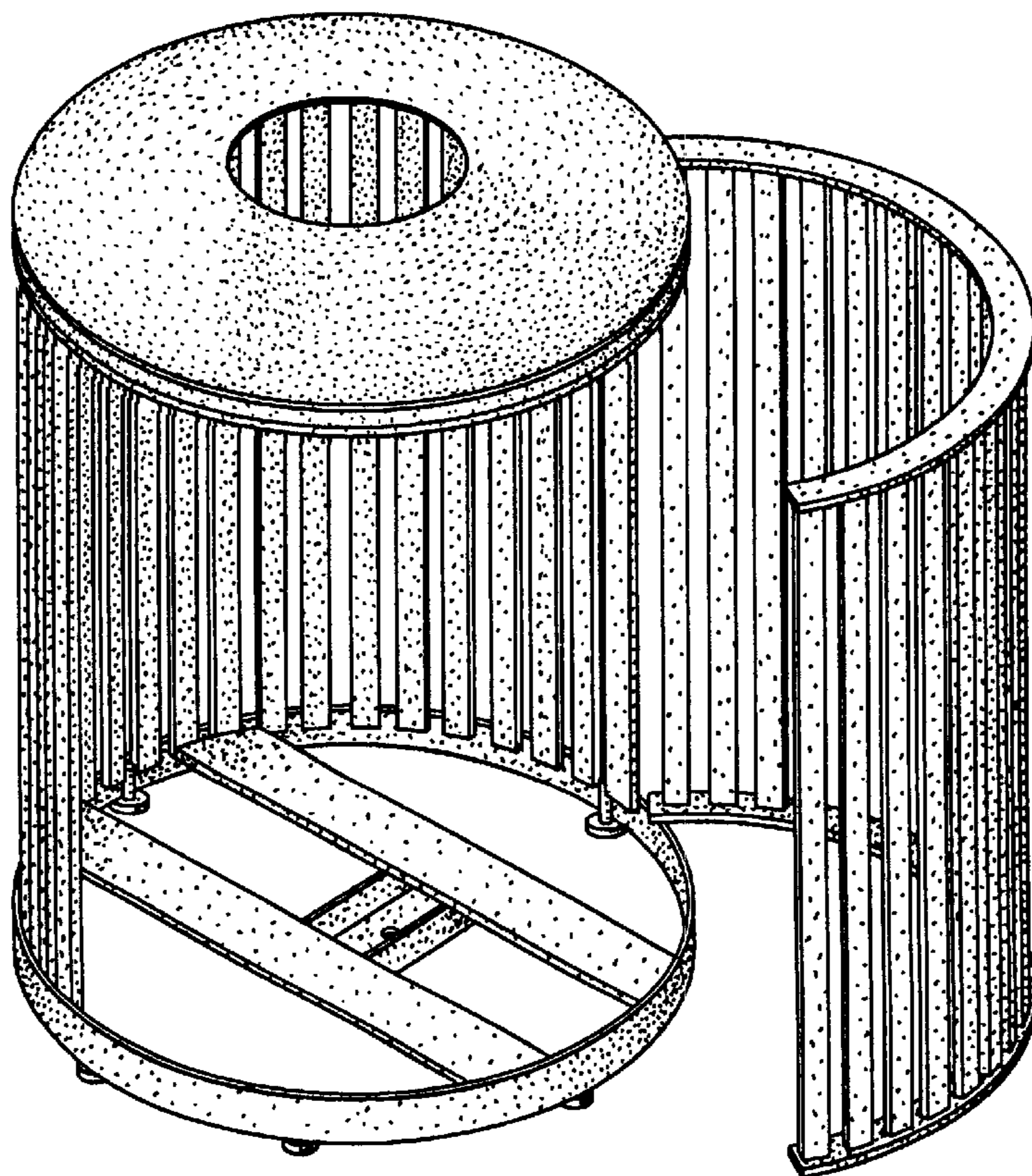


FIG. 13

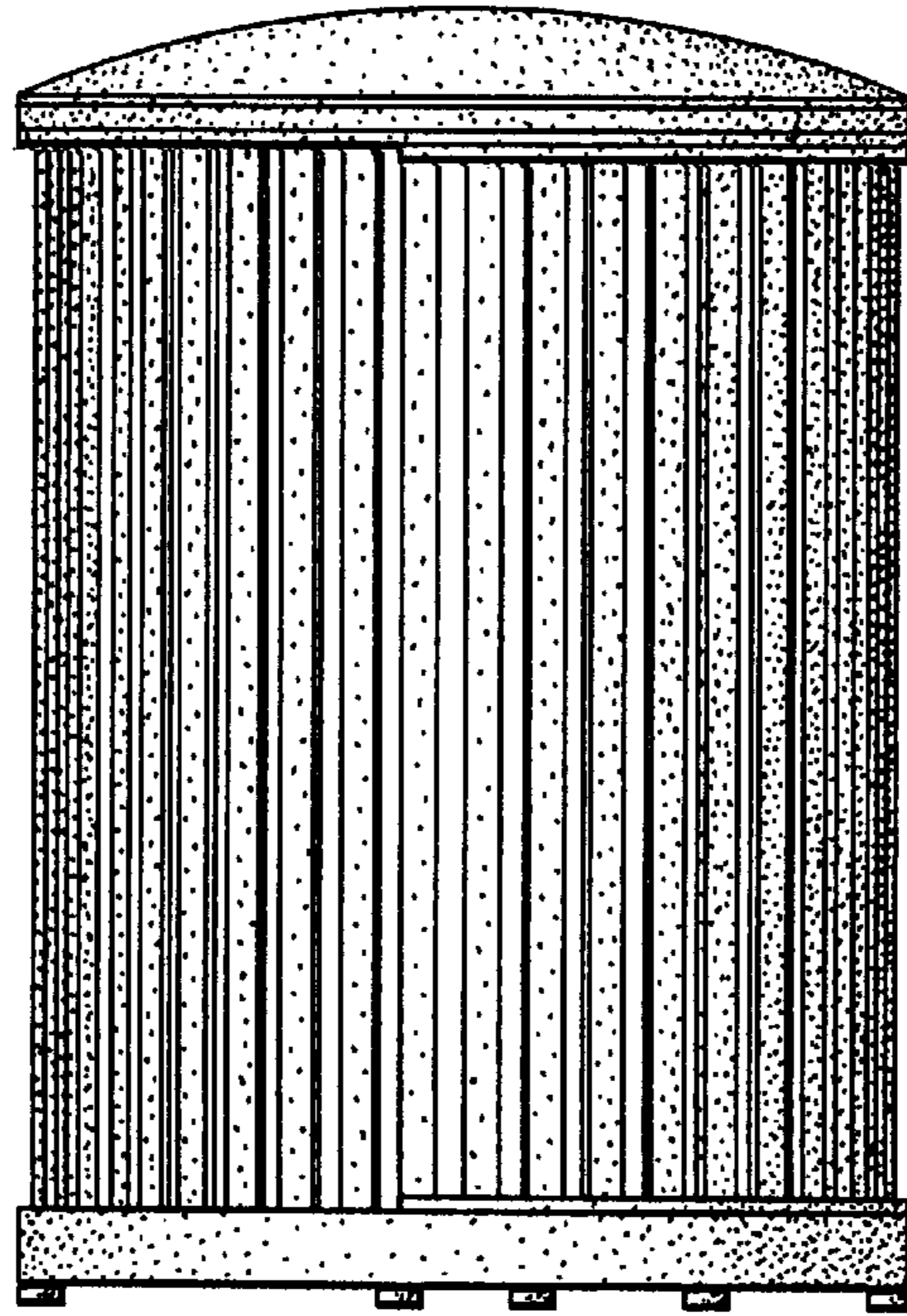


FIG. 14

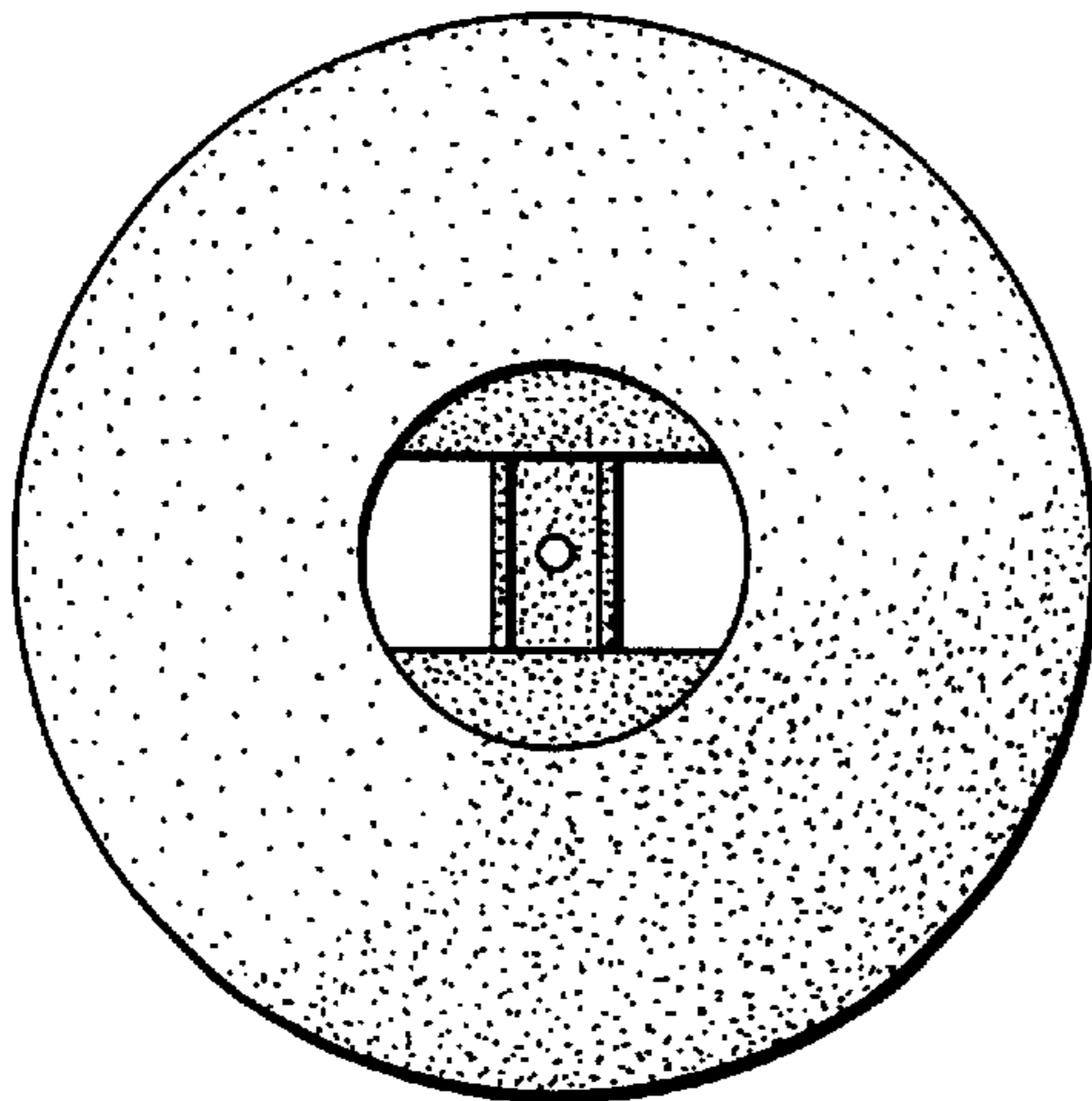


FIG. 15

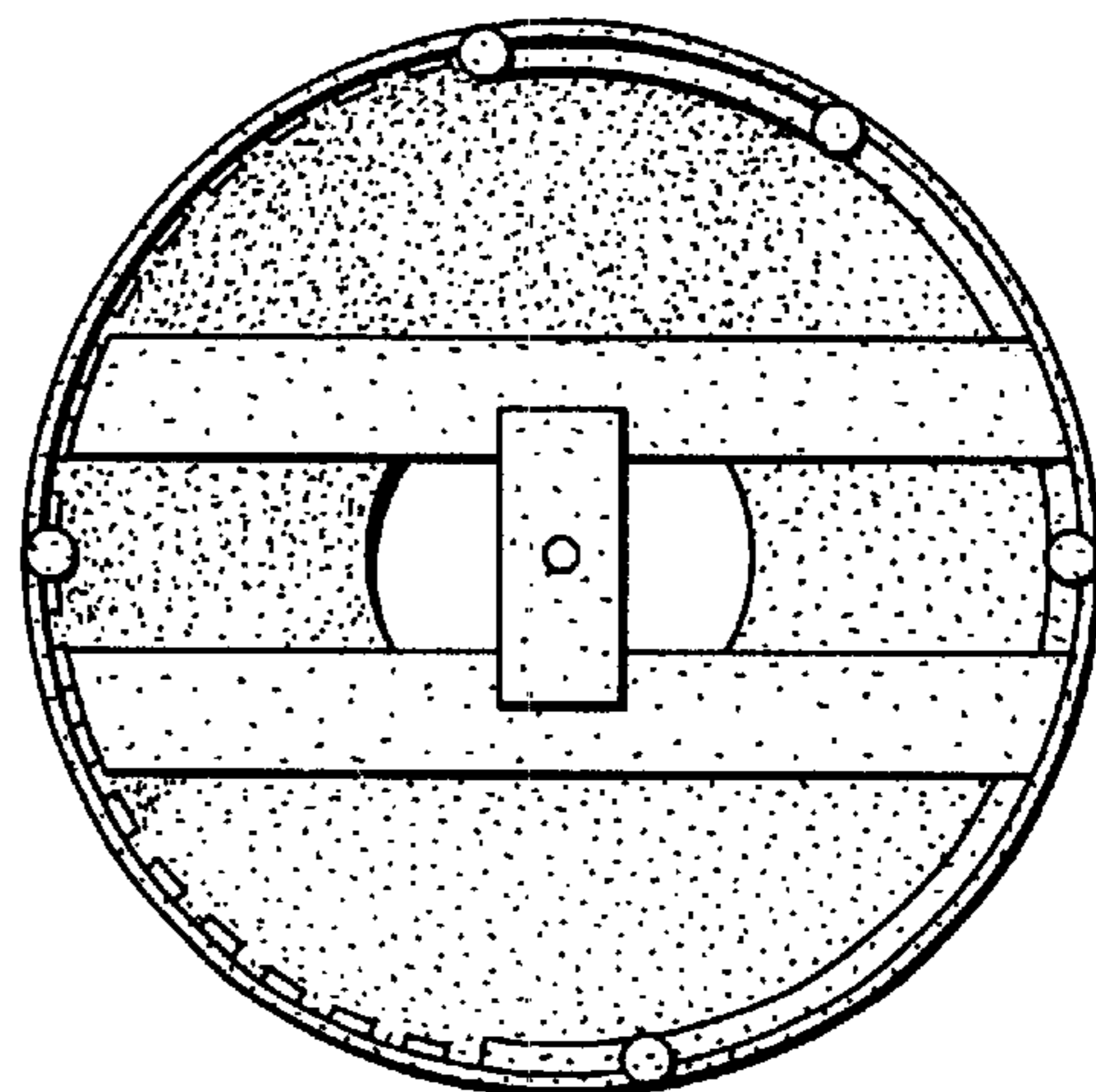


FIG. 16

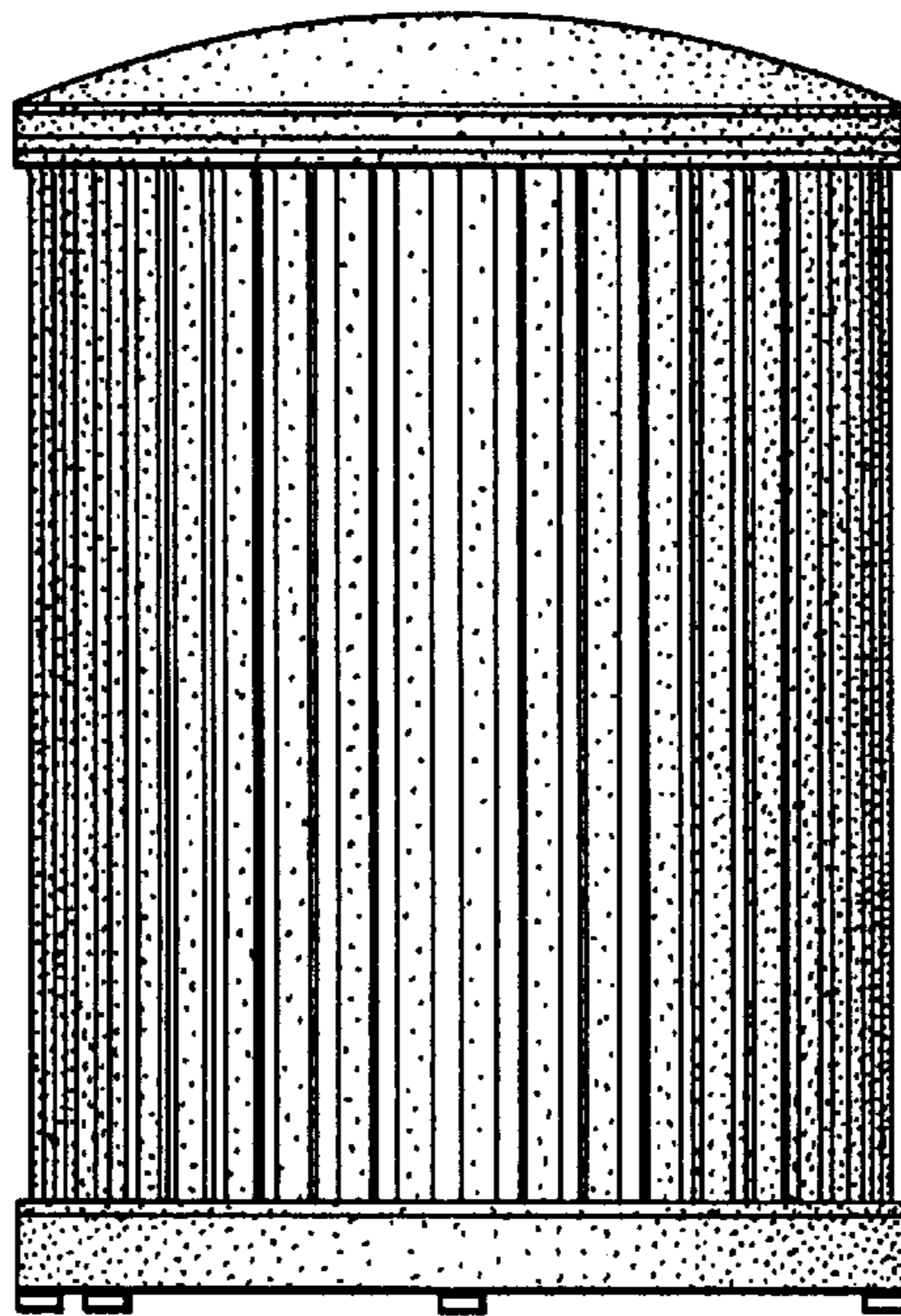


FIG. 17

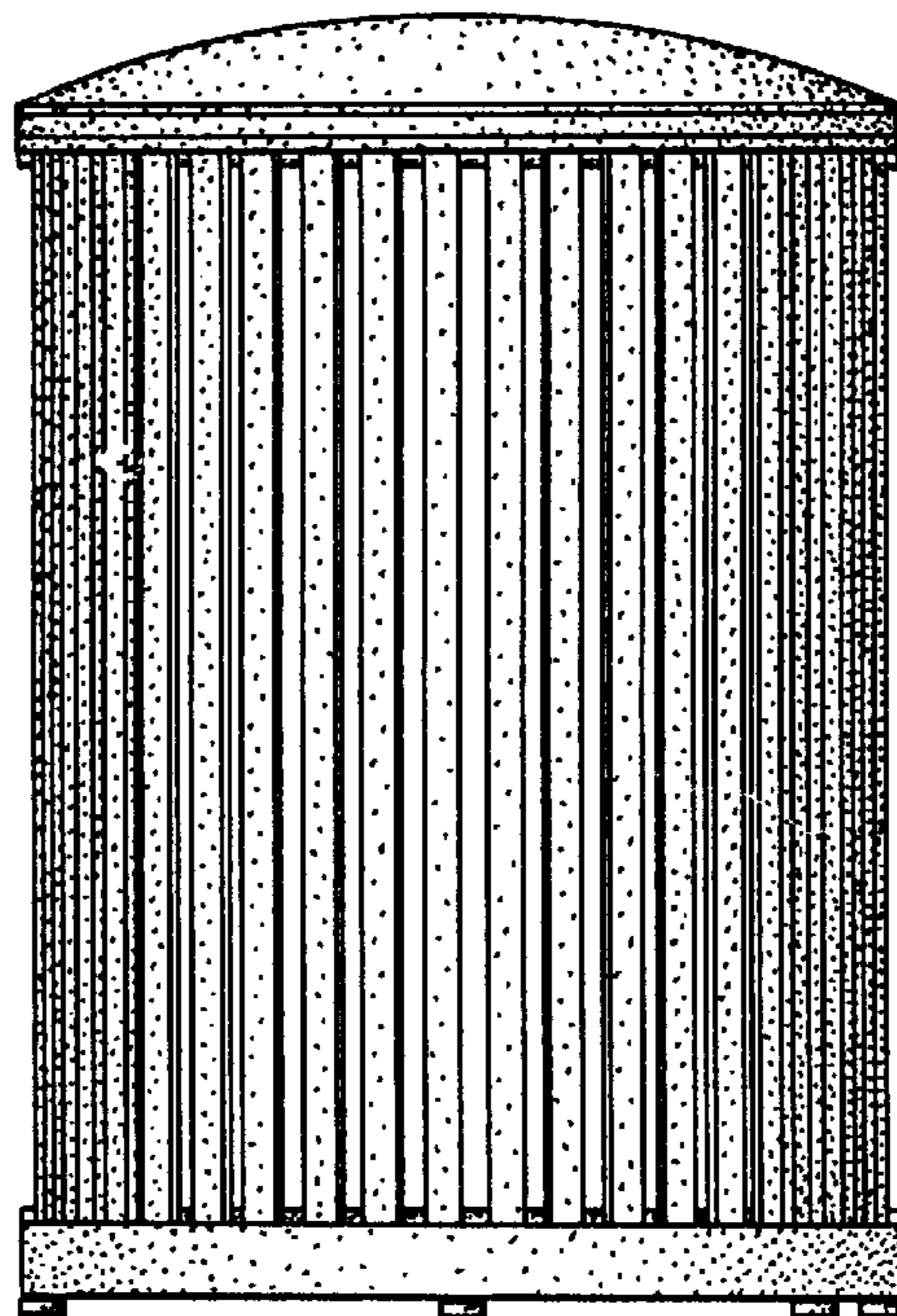


FIG. 18

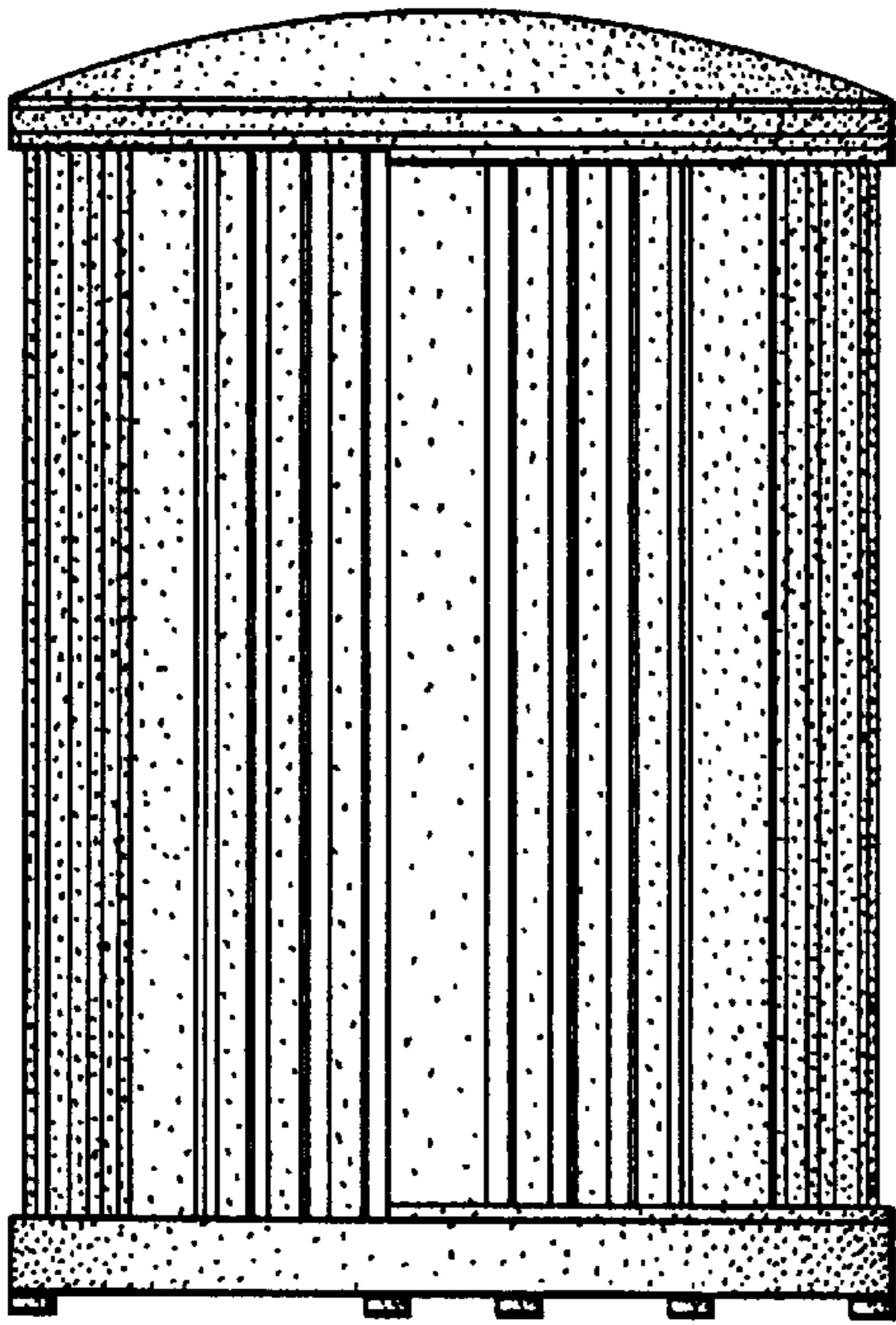


FIG. 19

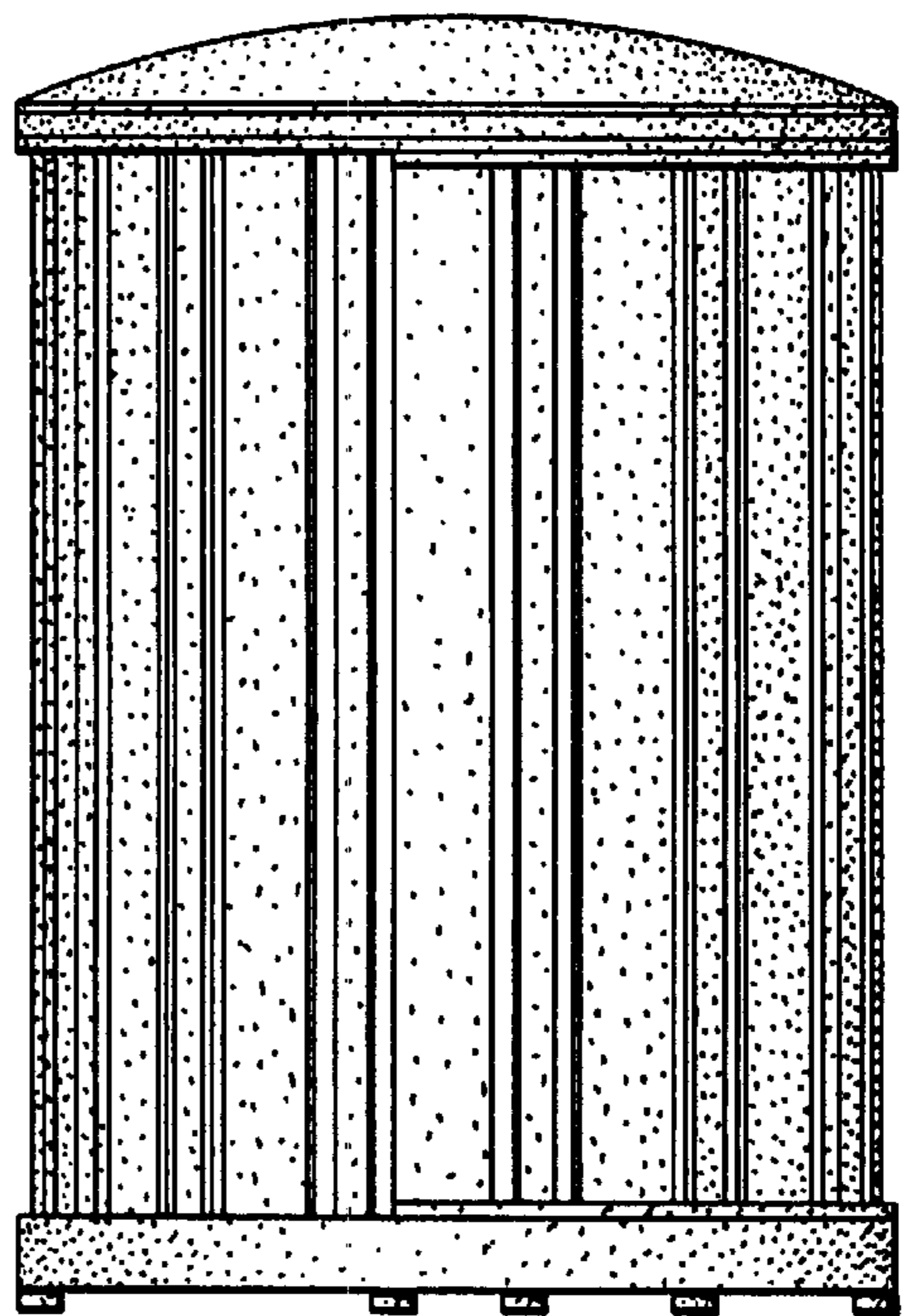


FIG. 21

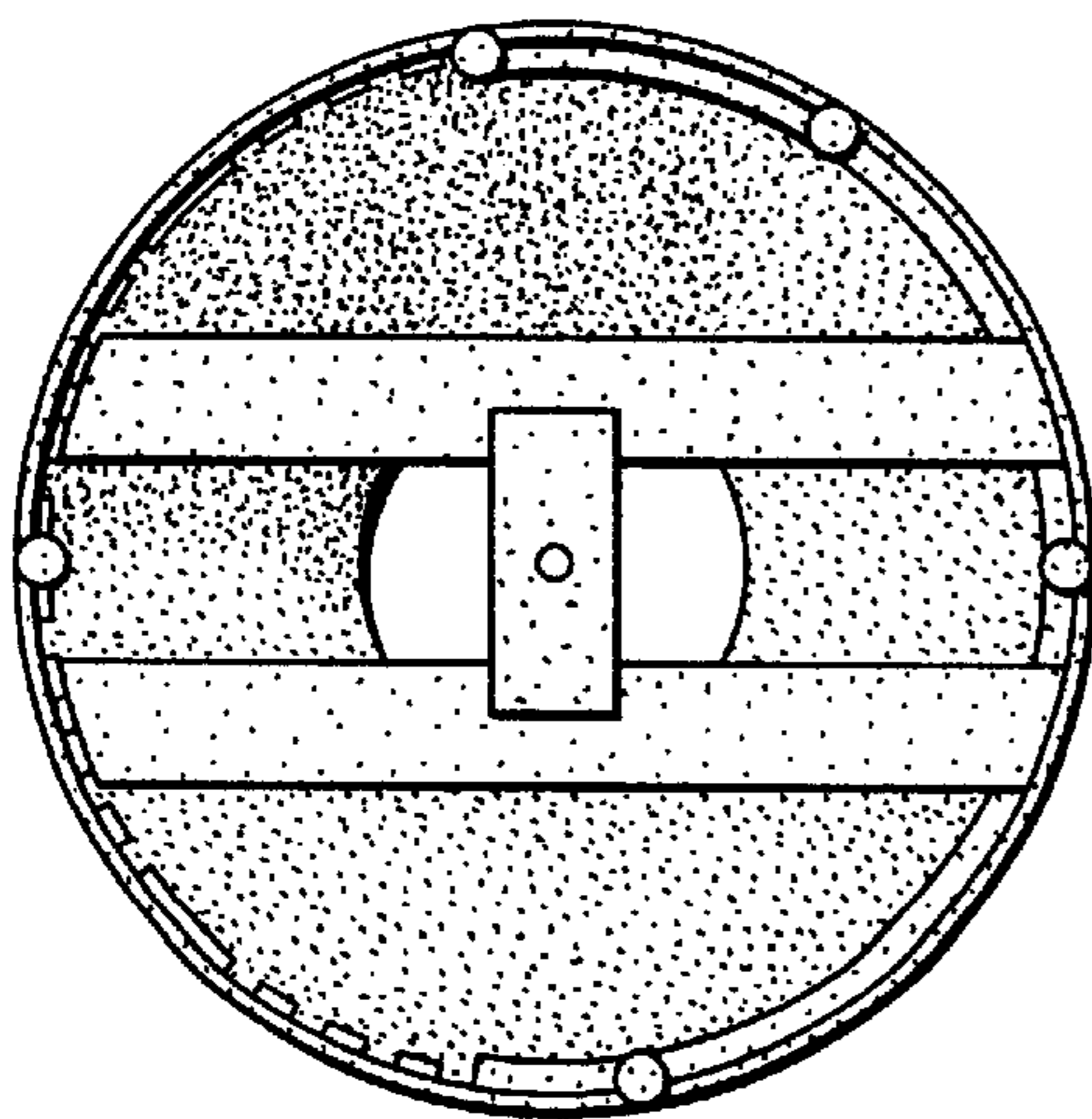


FIG. 20

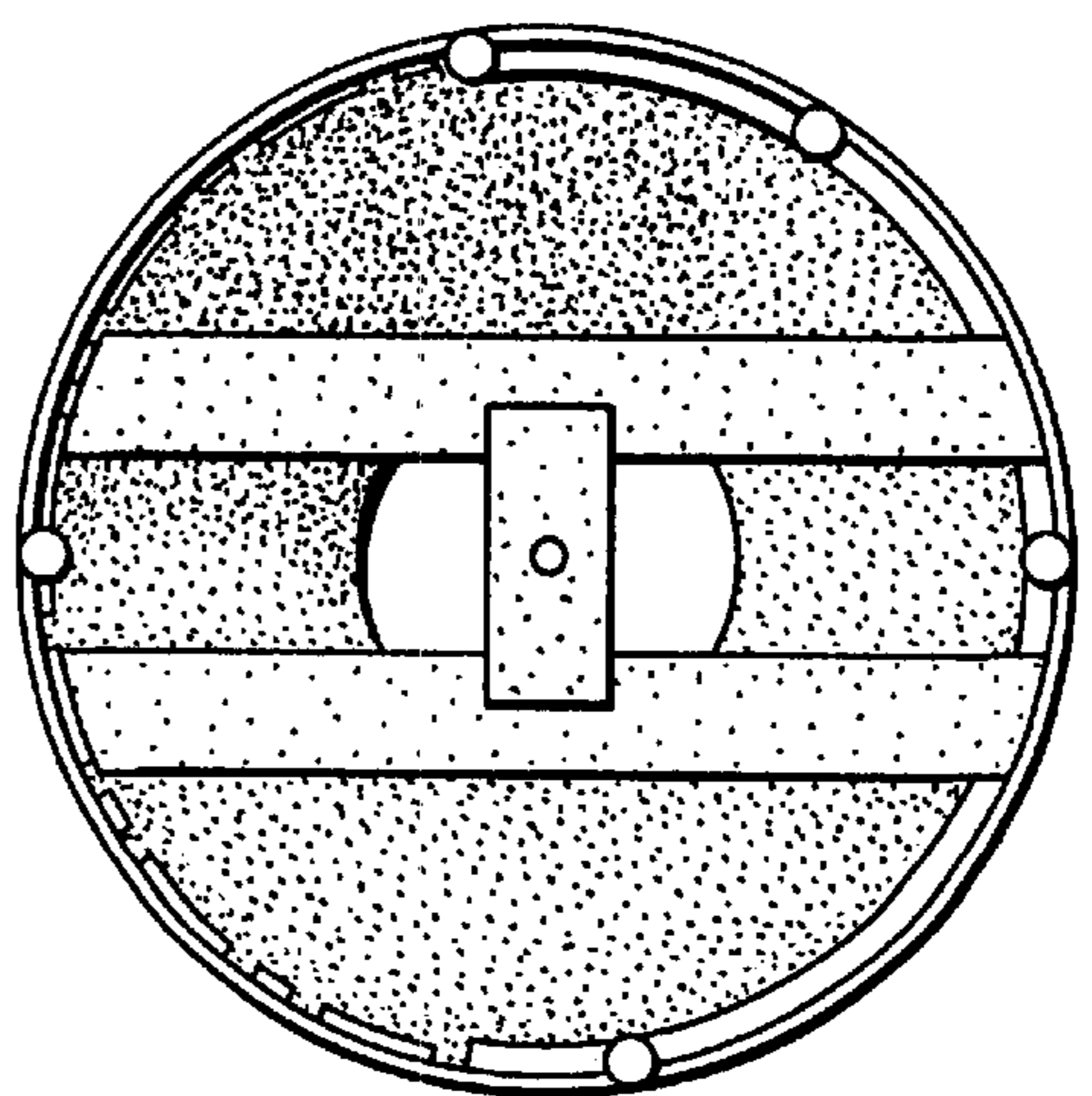


FIG. 22