



US00D450163B1

(12) **United States Design Patent**  
**Fang**

(10) **Patent No.:** **US D450,163 S**

(45) **Date of Patent:** **\*\* Nov. 6, 2001**

(54) **AQUARIUM**

(75) Inventor: **Willis Fang**, Taipei (TW)

(73) Assignee: **Taikong Corporation**, Taipei (TW)

(\*\*) Term: **14 Years**

(21) Appl. No.: **29/133,573**

(22) Filed: **Nov. 30, 2000**

(30) **Foreign Application Priority Data**

Jun. 1, 2000 (TW) ..... 089303725

(51) **LOC (7) Cl.** ..... **30-02**

(52) **U.S. Cl.** ..... **D30/101**

(58) **Field of Search** ..... D30/101-107;  
D11/145; 119/245-246, 248, 250, 257,  
263, 265-267, 269; 40/408; 47/69

(56) **References Cited**

**U.S. PATENT DOCUMENTS**

- D. 48,108 \* 11/1915 Halterbeck ..... D30/101
- D. 186,647 \* 11/1959 Wisotsky ..... D30/101
- D. 214,382 \* 6/1969 Gandy ..... D30/106
- D. 236,633 \* 9/1975 Shalom ..... D30/101

- D. 238,688 \* 2/1976 Shalom ..... D30/101
- D. 240,141 \* 6/1976 Robert ..... D30/101
- D. 240,742 \* 7/1976 Robert ..... D30/101
- D. 244,622 \* 6/1977 Braid ..... D30/101
- D. 267,163 \* 12/1982 Murray ..... D11/145
- 5,327,855 \* 7/1994 Pritchard et al. .... 119/267

\* cited by examiner

*Primary Examiner*—Cathy Anne MacCormac

(74) *Attorney, Agent, or Firm*—Oppenheimer Wolff & Donnelly, LLP

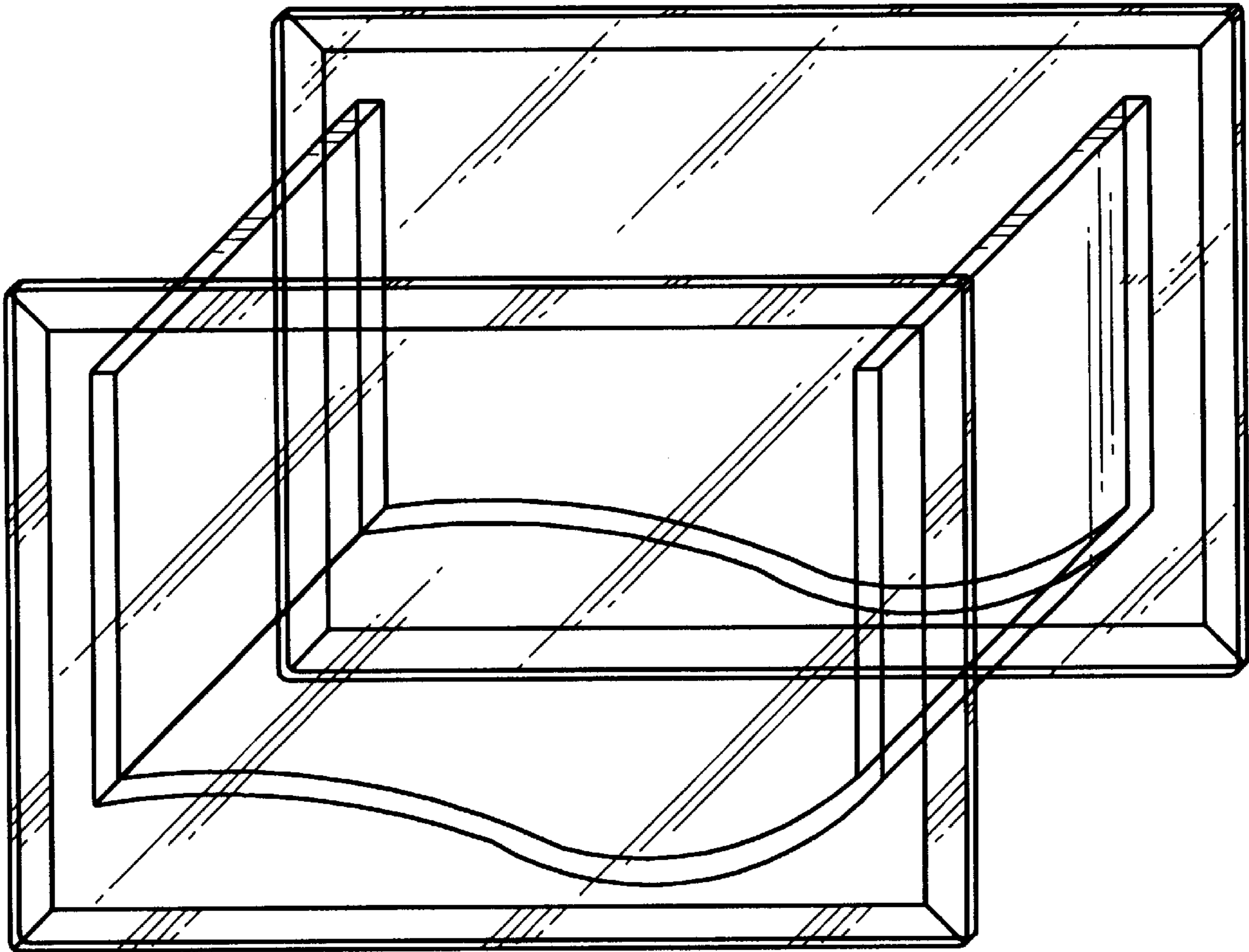
(57) **CLAIM**

The ornamental design for an aquarium, as shown.

**DESCRIPTION**

FIG. 1 is a perspective view of an aquarium showing my new design;  
 FIG. 2 is a front elevational view thereof;  
 FIG. 3 is a rear elevational view thereof;  
 FIG. 4 is a left side elevational view thereof;  
 FIG. 5 is a right side elevational view thereof;  
 FIG. 6 is a top plan view thereof; and,  
 FIG. 7 is a bottom plan view thereof.

**1 Claim, 4 Drawing Sheets**



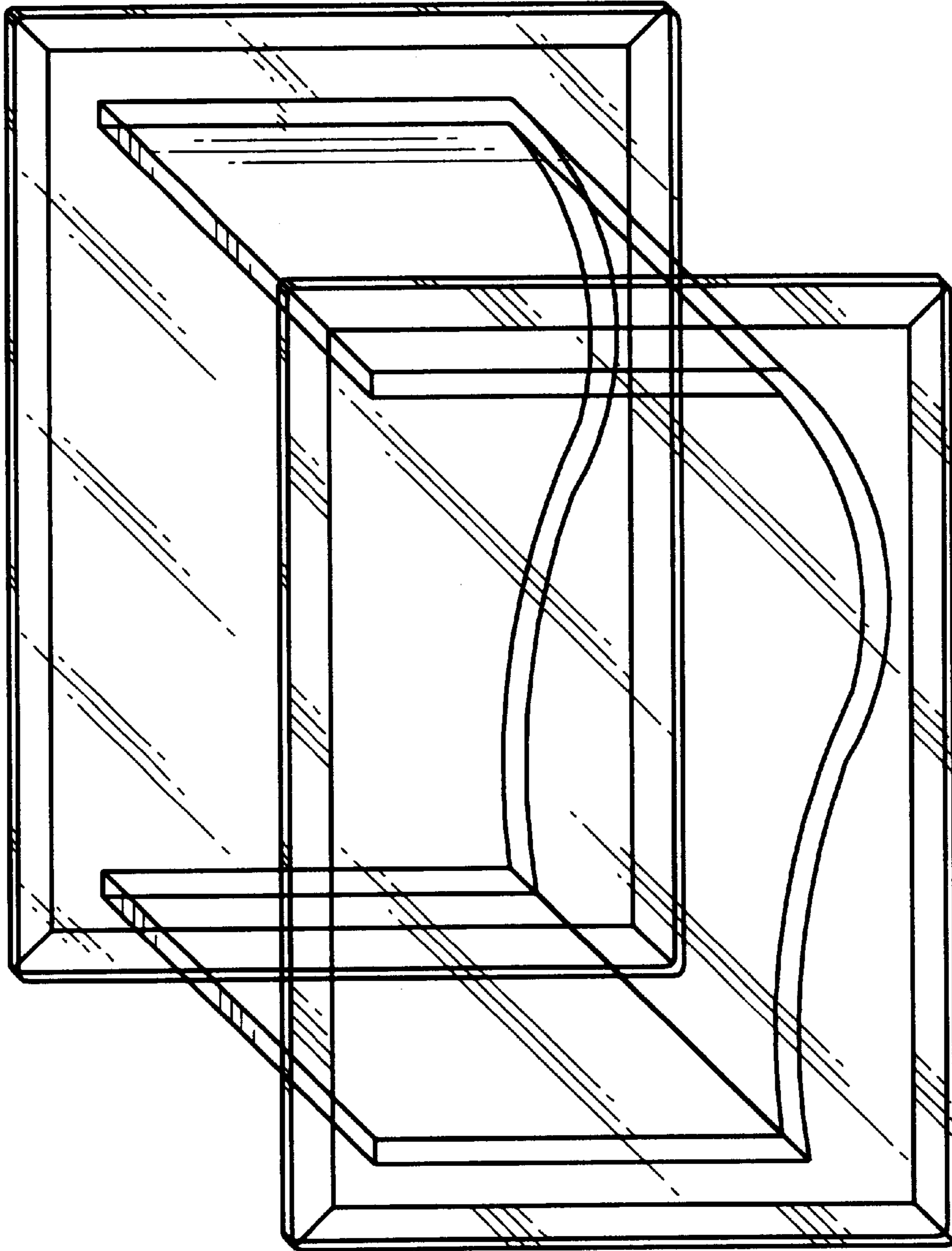


FIG-1

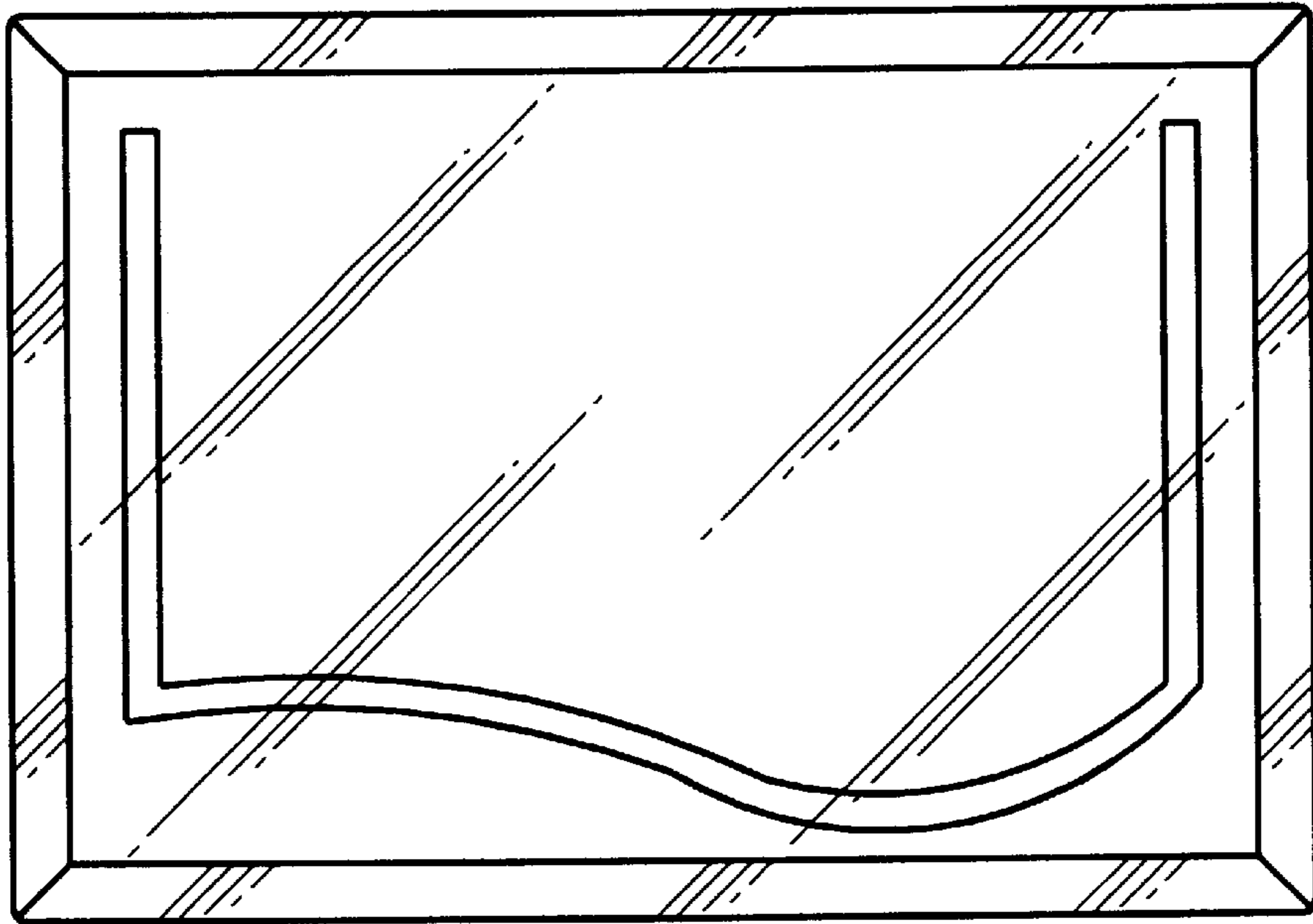


FIG-2

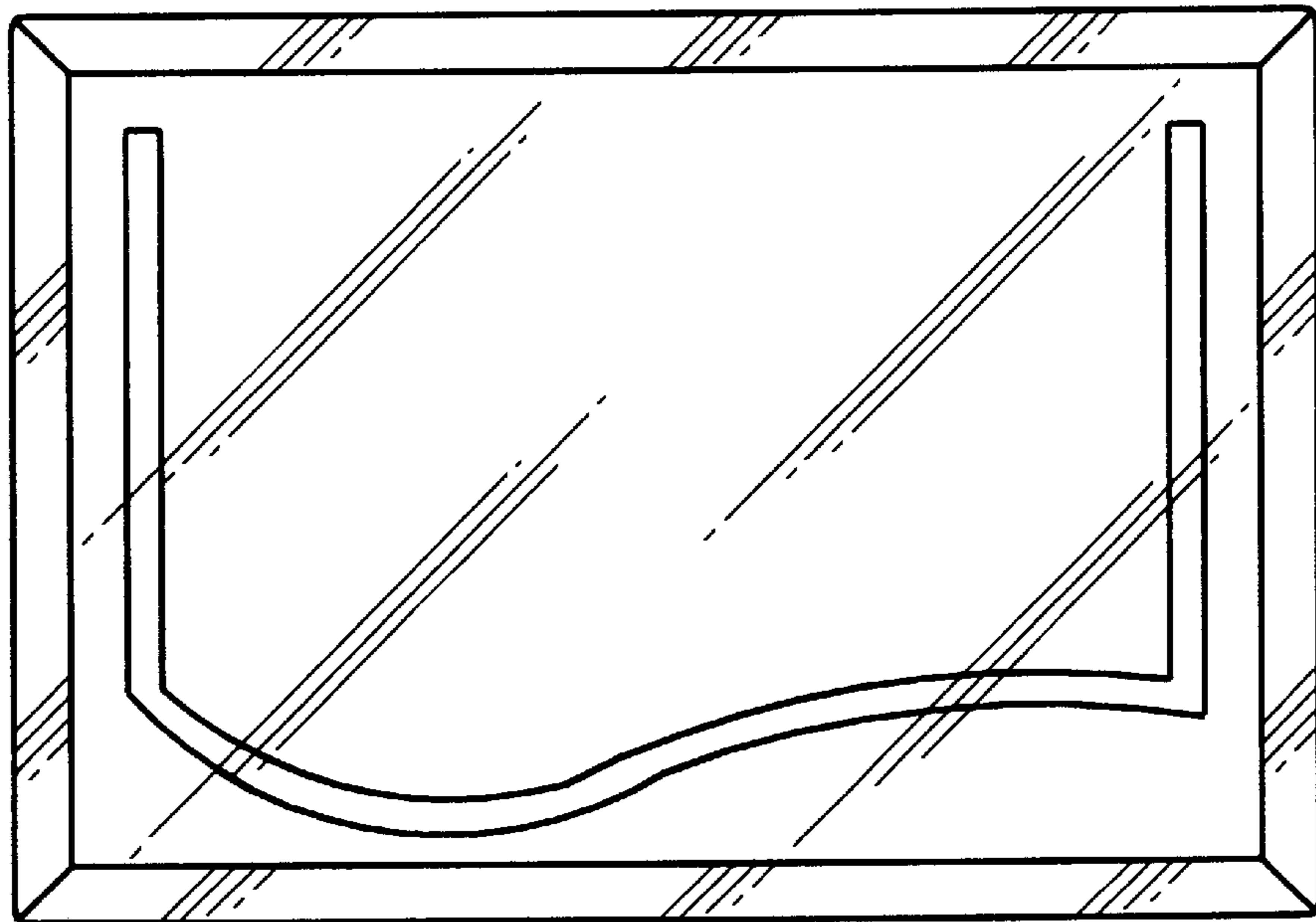


FIG-3

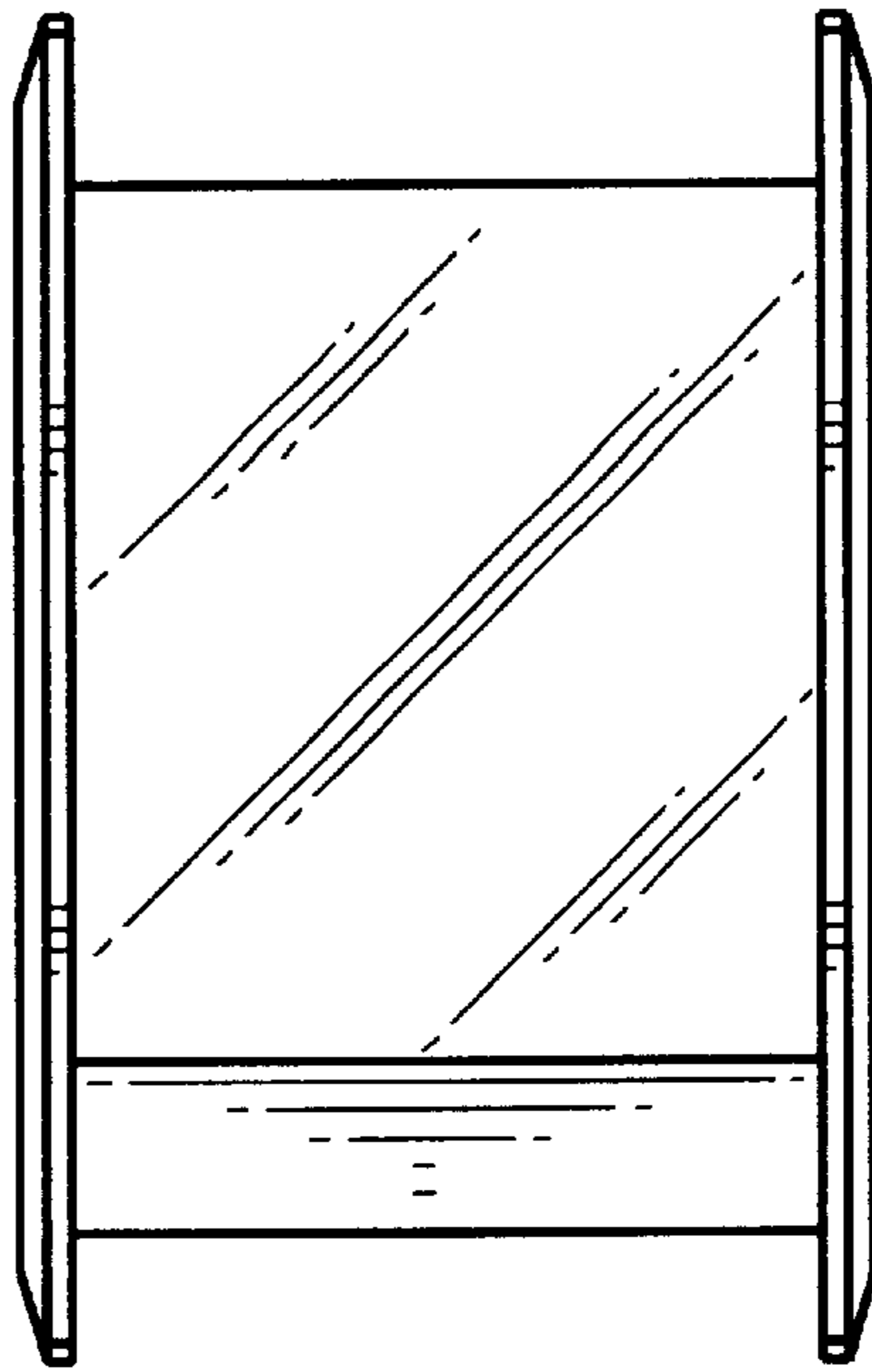


FIG-4

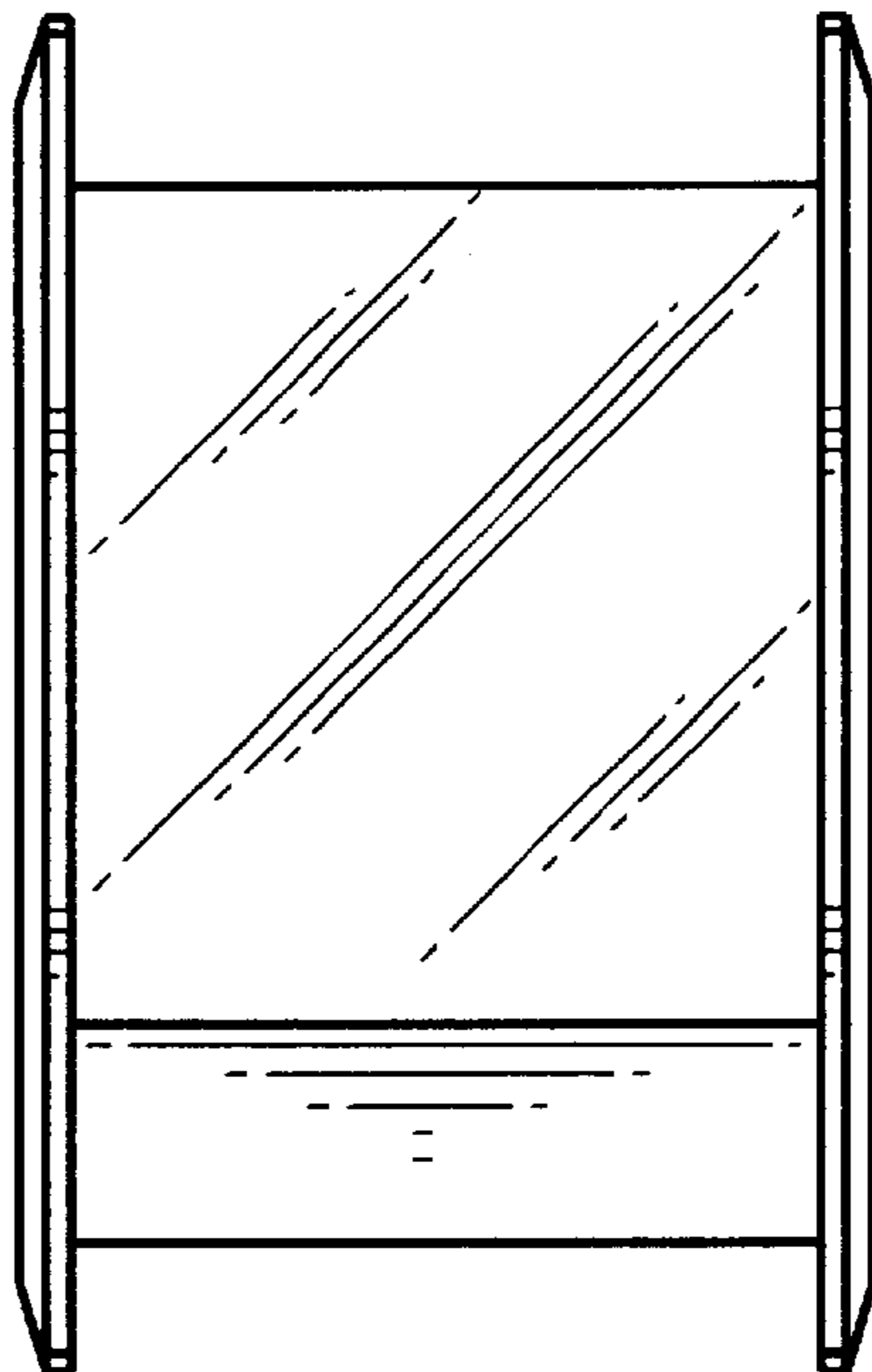


FIG-5

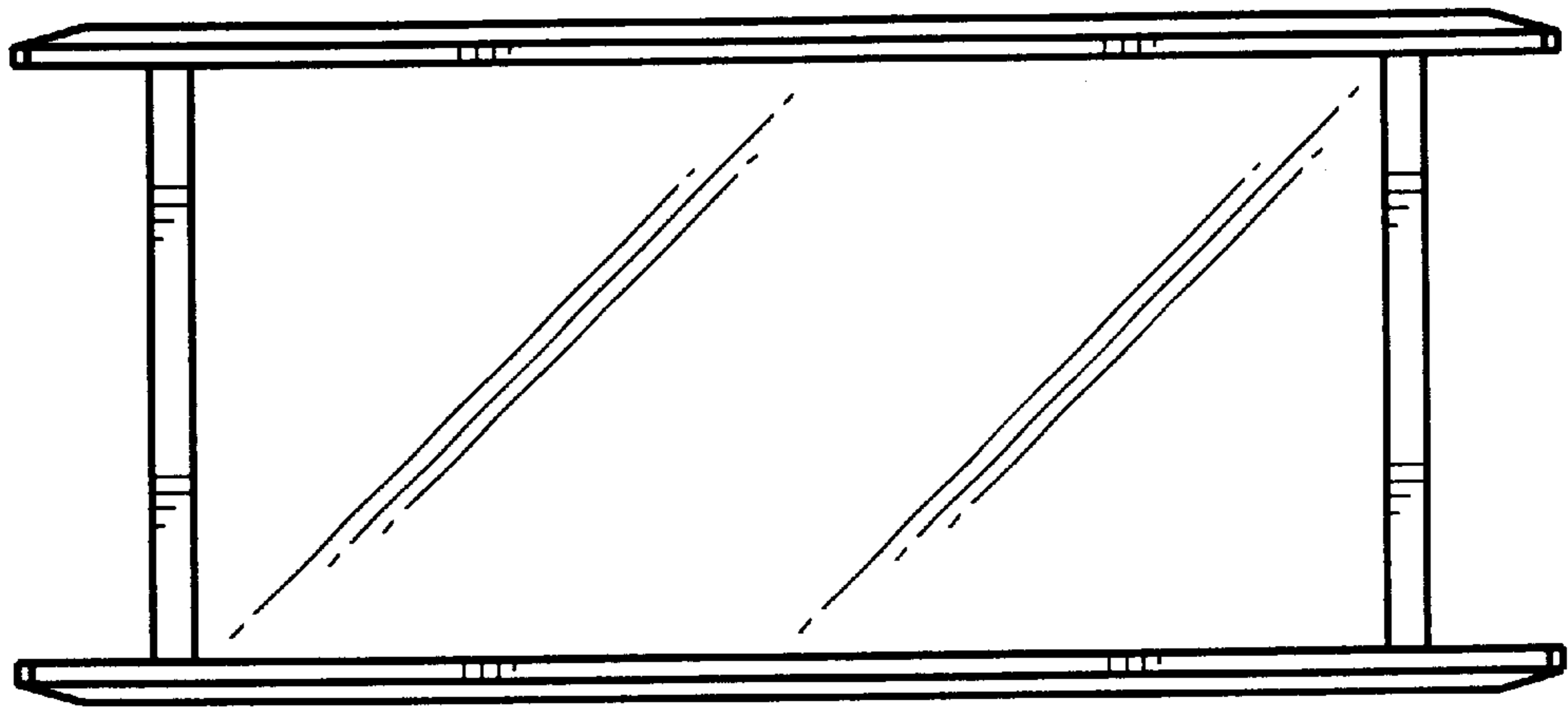


FIG-6

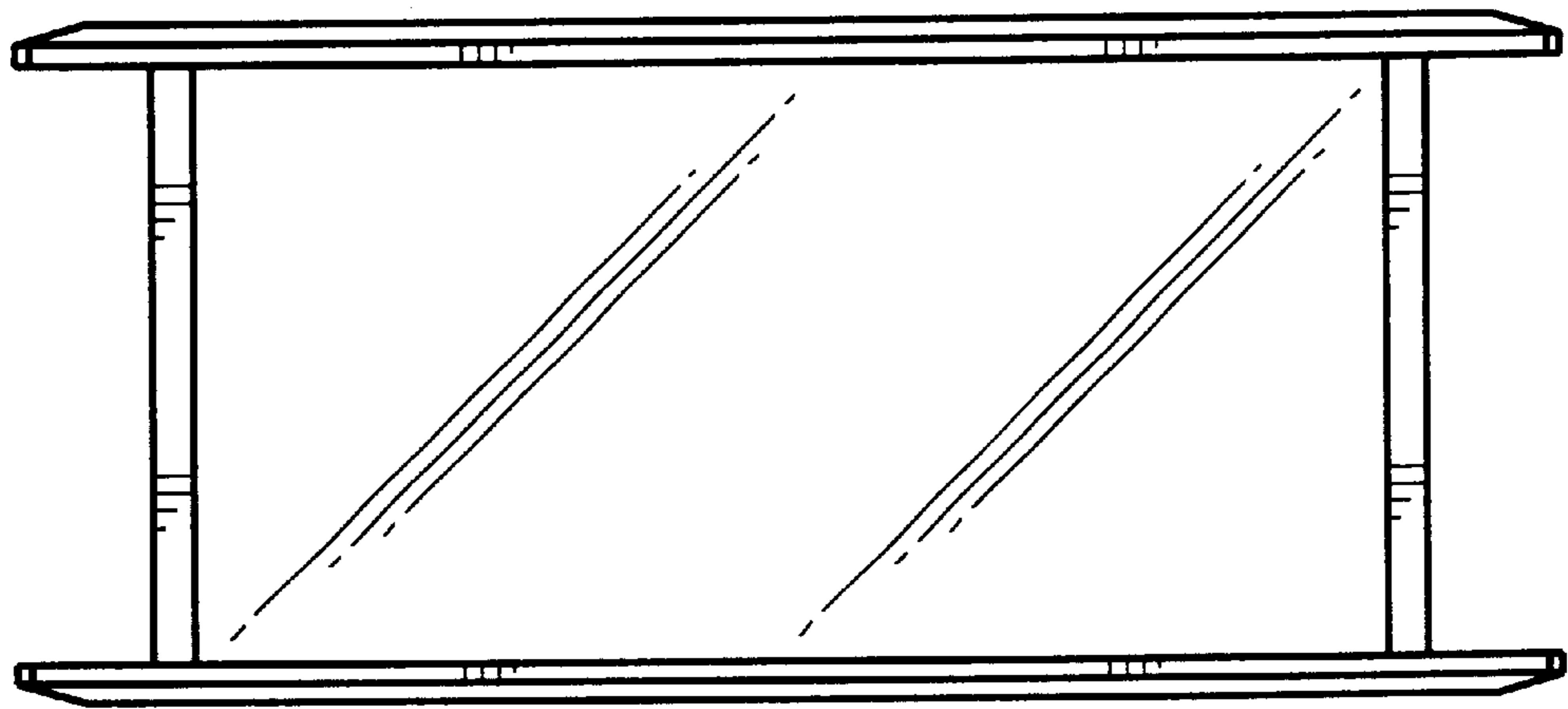


FIG-7