



US00D450155B1

(12) **United States Design Patent**  
**Teasley**

(10) **Patent No.:** **US D450,155 S**

(45) **Date of Patent:** **\*\* Nov. 6, 2001**

(54) **CURLING IRON**

(76) **Inventor:** **Angela T. Teasley**, 5107-A Yadkin Rd.,  
Fayetteville, NC (US) 28303

(\*\*) **Term:** **14 Years**

(21) **Appl. No.:** **29/139,213**

(22) **Filed:** **Mar. 28, 2001**

(51) **LOC (7) Cl.** ..... **28-03**

(52) **U.S. Cl.** ..... **D28/35**

(58) **Field of Search** ..... D28/10, 35-37;  
132/212, 122, 129, 132, 135, 139, 140,  
160, 223-269; 219/225

(56) **References Cited**

**U.S. PATENT DOCUMENTS**

76,401	*	4/1868	Conant	.....	132/256
D. 426,675	*	6/2000	Liggins et al.	.....	D28/35
613,104	*	10/1898	Zimmermann	.....	132/232
912,531	*	2/1909	Bradley	.....	132/263
952,138	*	3/1910	Reynolds	.....	132/264

1,591,644	*	7/1926	Radcliffe	.....	132/256
1,636,212	*	7/1927	Browne	.....	132/225
3,034,515	*	5/1962	Fulco et al.	.....	132/245
4,214,597	*	7/1980	Glassman	.....	132/223

\* cited by examiner

*Primary Examiner*—Philip S. Hyder

*Assistant Examiner*—C. Tuttle

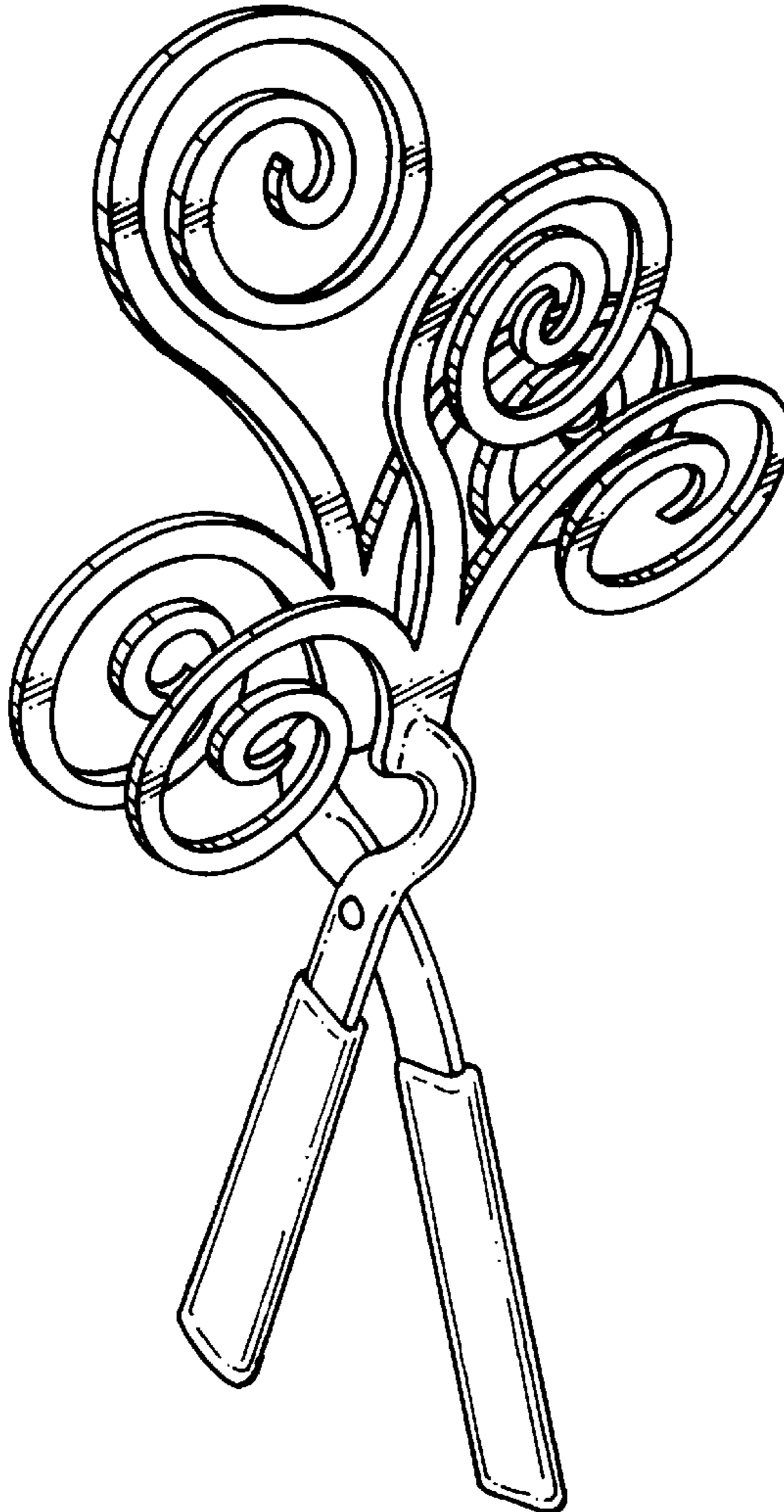
(57) **CLAIM**

The ornamental design for a curling iron, as shown and described.

**DESCRIPTION**

FIG. 1 is a perspective view of a curling iron in the open position, showing my new design;  
FIG. 2 is a front elevational view in the closed position;  
FIG. 3 is a rear elevational view thereof;  
FIG. 4 is a left side elevational view thereof;  
FIG. 5 is a right side elevational view thereof;  
FIG. 6 is a bottom plan view thereof; and,  
FIG. 7 is a top plan view thereof.

**1 Claim, 4 Drawing Sheets**



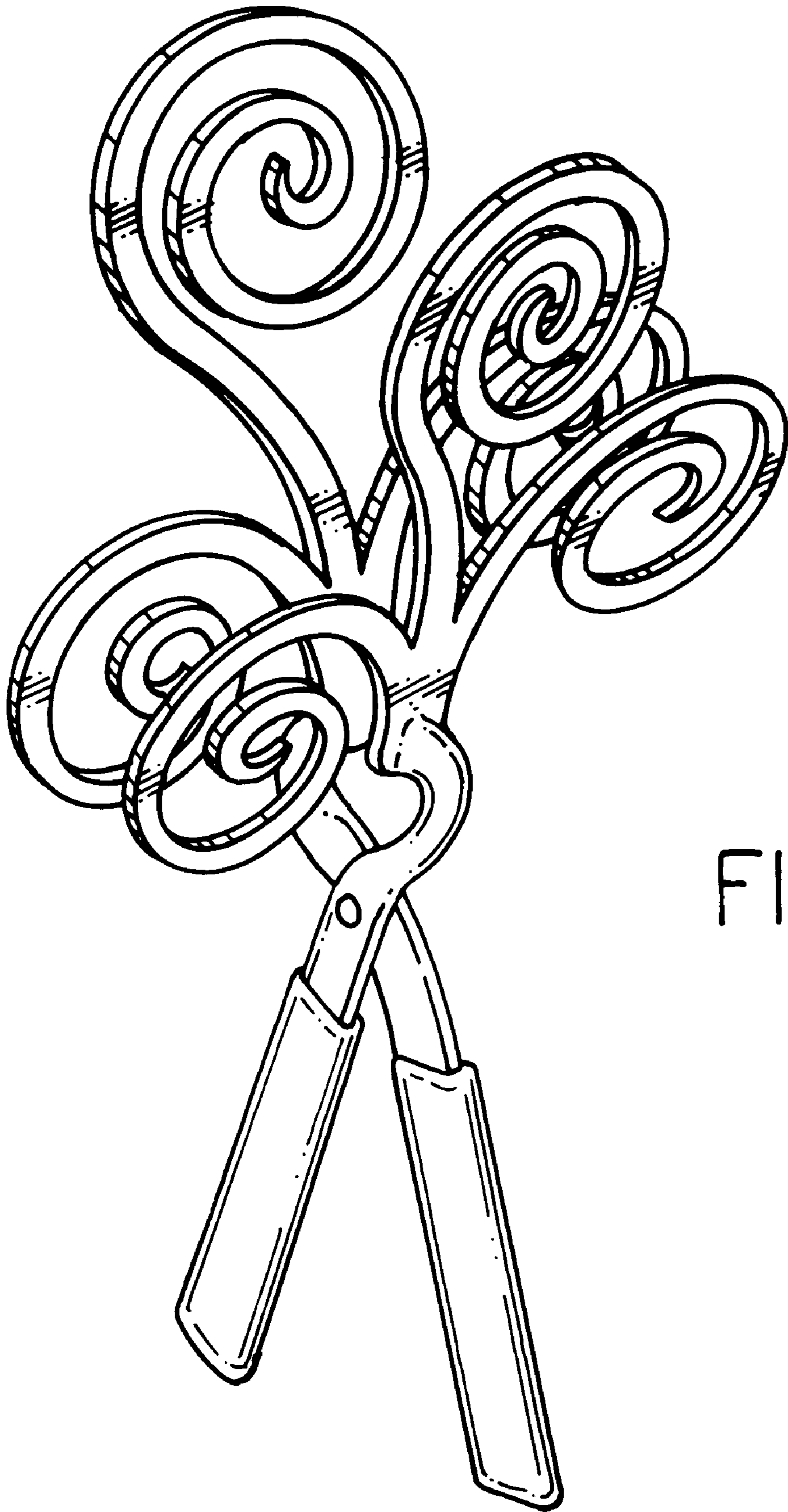


FIG. 1.

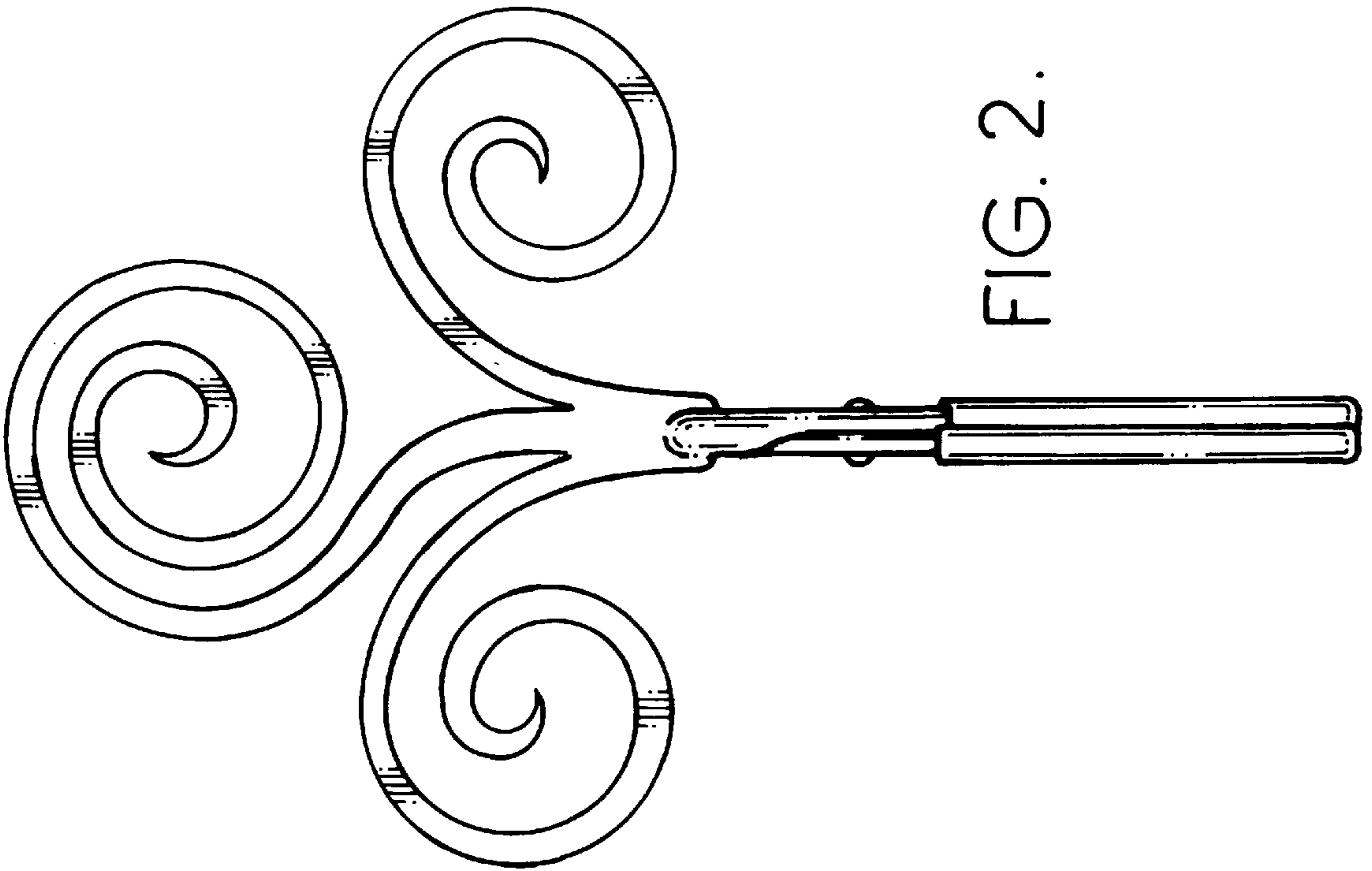


FIG. 2.

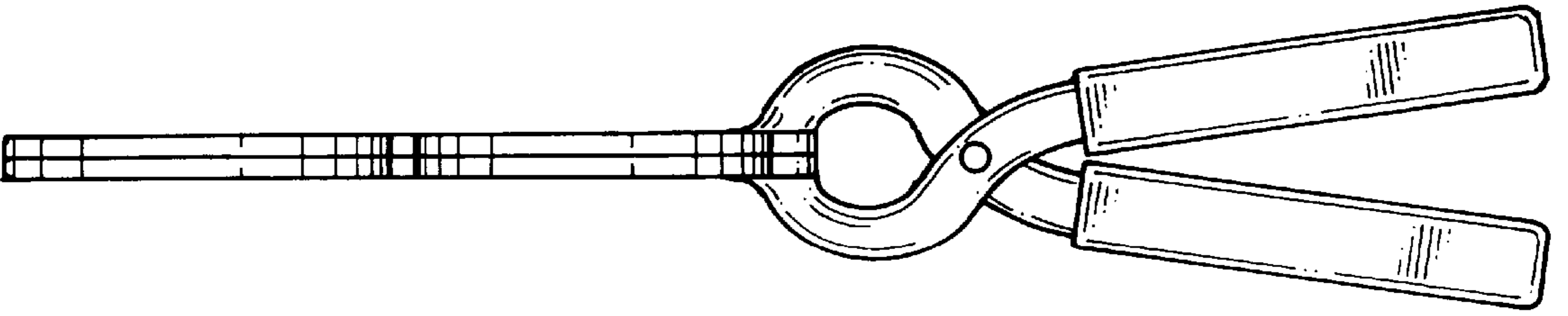


FIG. 4.

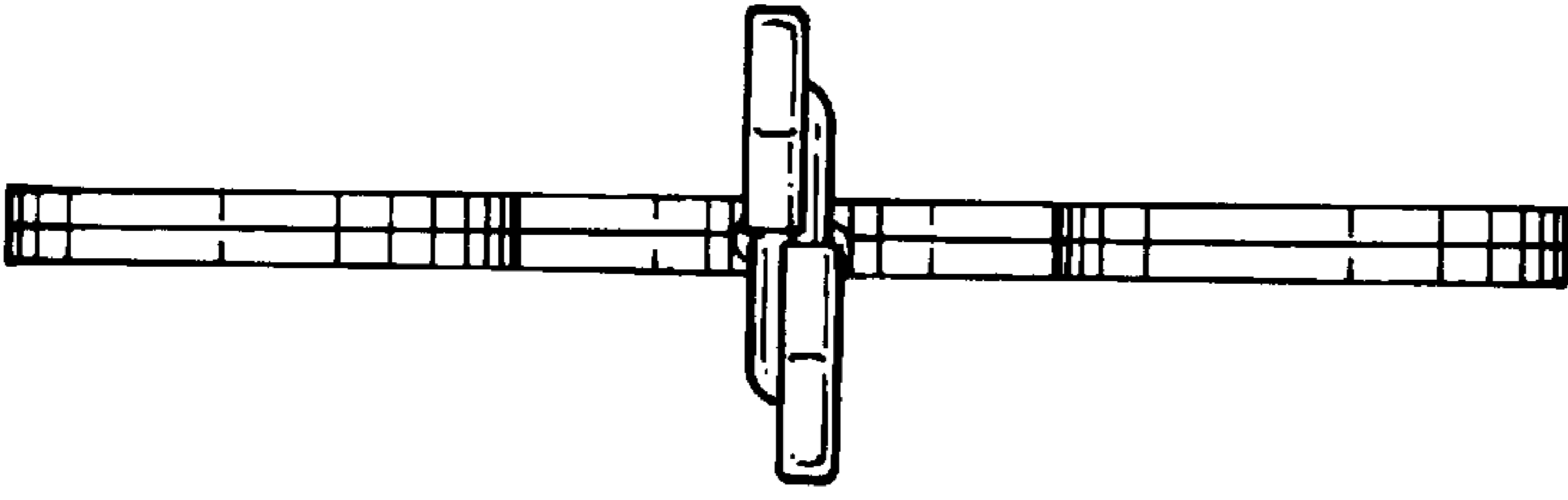


FIG. 6.

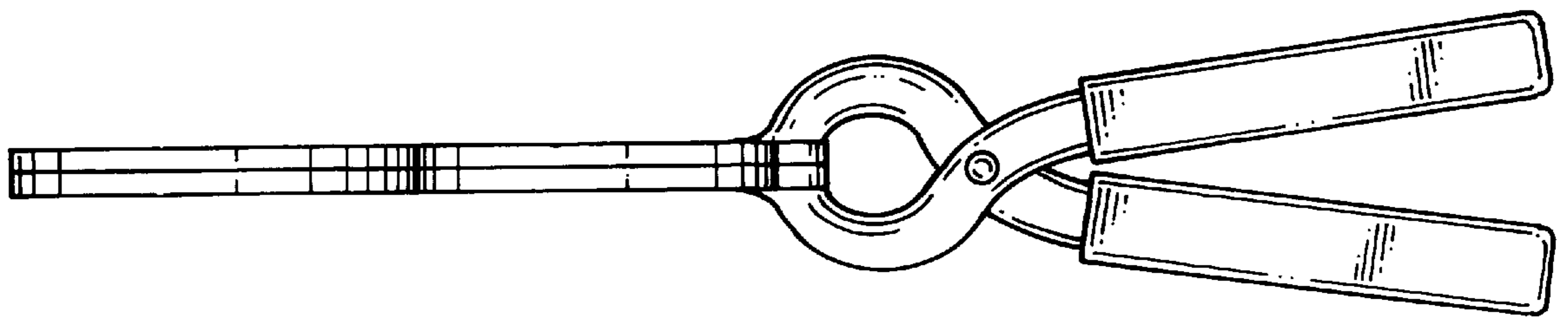


FIG. 5.

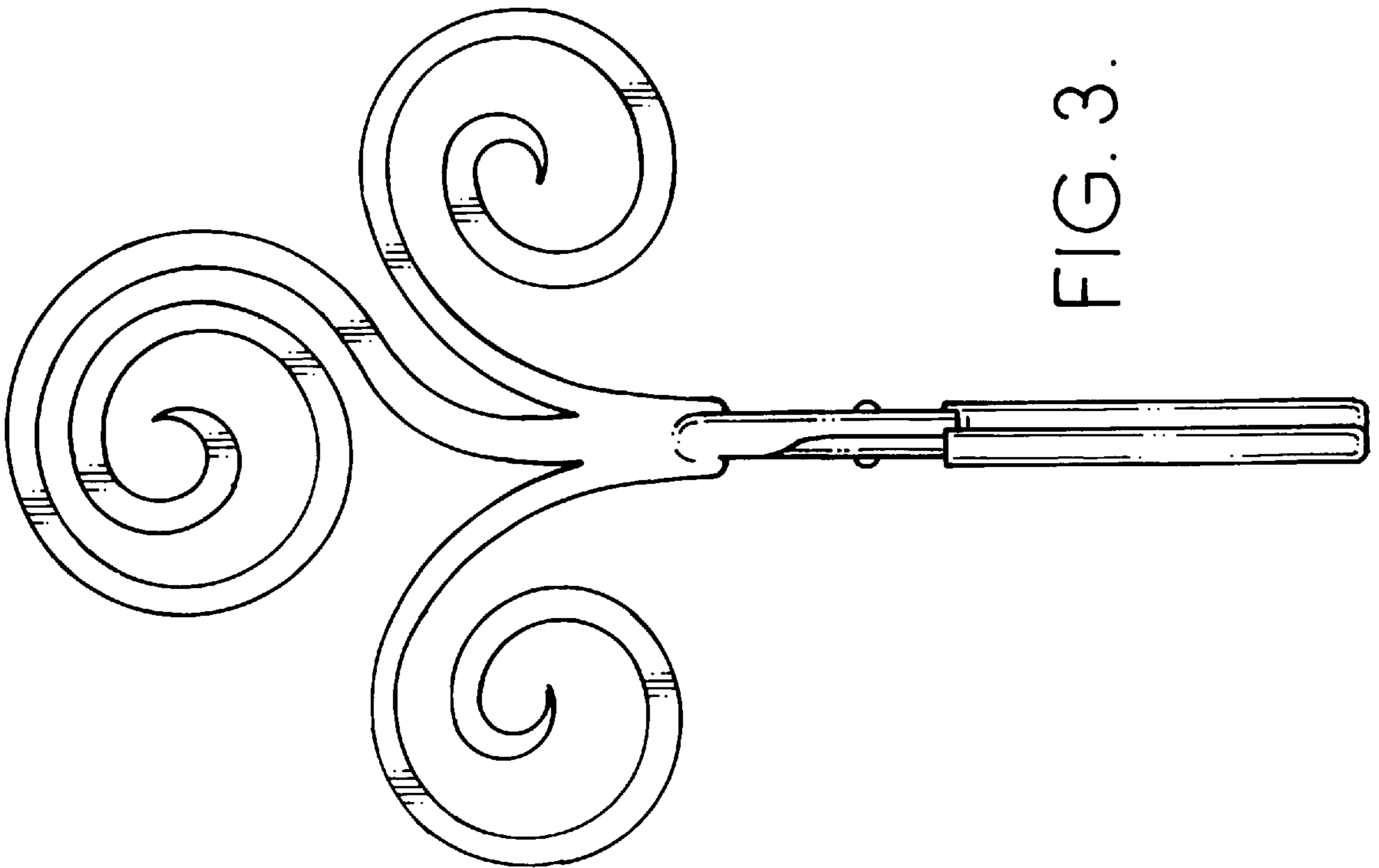


FIG. 3.

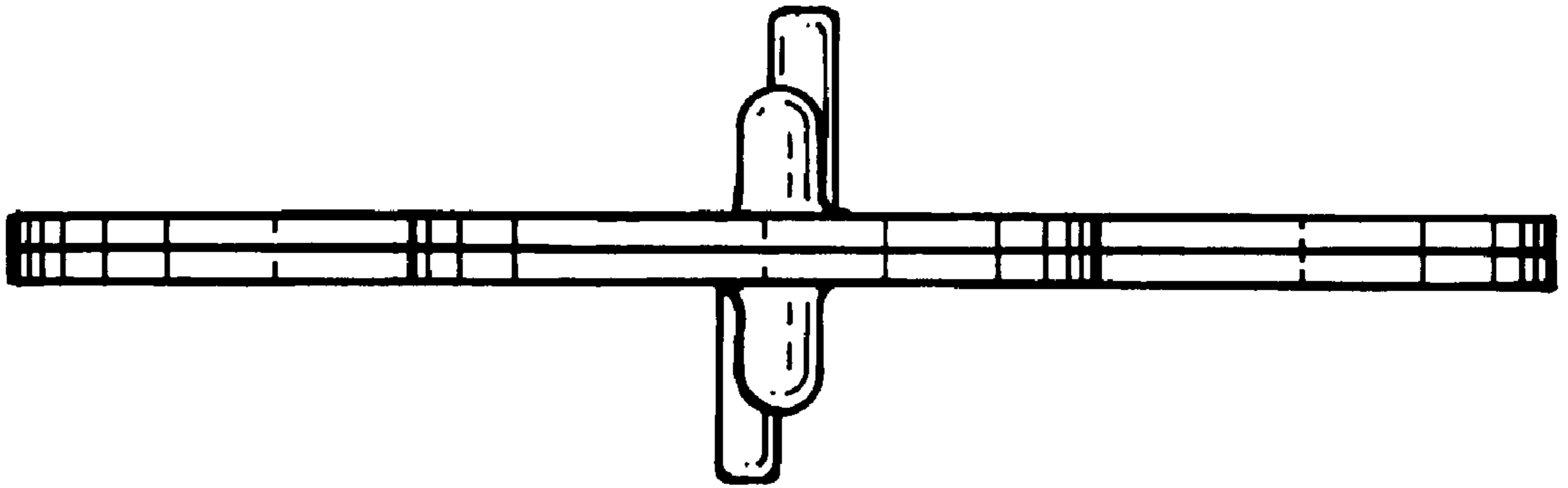


FIG. 7.