



US00D450154B1

(12) **United States Design Patent**  
**Amante**

(10) **Patent No.:** **US D450,154 S**

(45) **Date of Patent:** **\*\* Nov. 6, 2001**

(54) **CURLING IRON**

6,070,596 \* 6/2000 Altamore ..... 132/224

(76) Inventor: **Jacqueline Amante**, 2608 Parkview Pl.,  
Baldwin, NY (US) 11510

\* cited by examiner

(\*\*) Term: **14 Years**

*Primary Examiner*—Philip S. Hyder

*Assistant Examiner*—C. Tuttle

(74) *Attorney, Agent, or Firm*—Collard & Roe, P.C.

(21) Appl. No.: **29/134,274**

(57) **CLAIM**

(22) Filed: **Dec. 18, 2000**

The ornamental design for a curling iron, as shown and described.

(51) **LOC (7) Cl.** ..... **28-01**

**DESCRIPTION**

(52) **U.S. Cl.** ..... **D28/35; D4/128**

(58) **Field of Search** ..... D28/10, 35; D4/100,  
D4/119–121, 128; 132/212, 118, 119, 119.1,  
120, 122, 223–269; 219/222, 225

FIG. 1 shows a perspective view of my design for a curling iron;

FIG. 2 shows a top view thereof;

FIG. 3 shows a bottom view thereof;

FIG. 4 shows a right side view thereof;

FIG. 5 shows a left side view thereof;

FIG. 6 shows a front end view thereof;

FIG. 7 shows a rear end view thereof; and,

FIG. 8 shows a right side view of the design in an opened position.

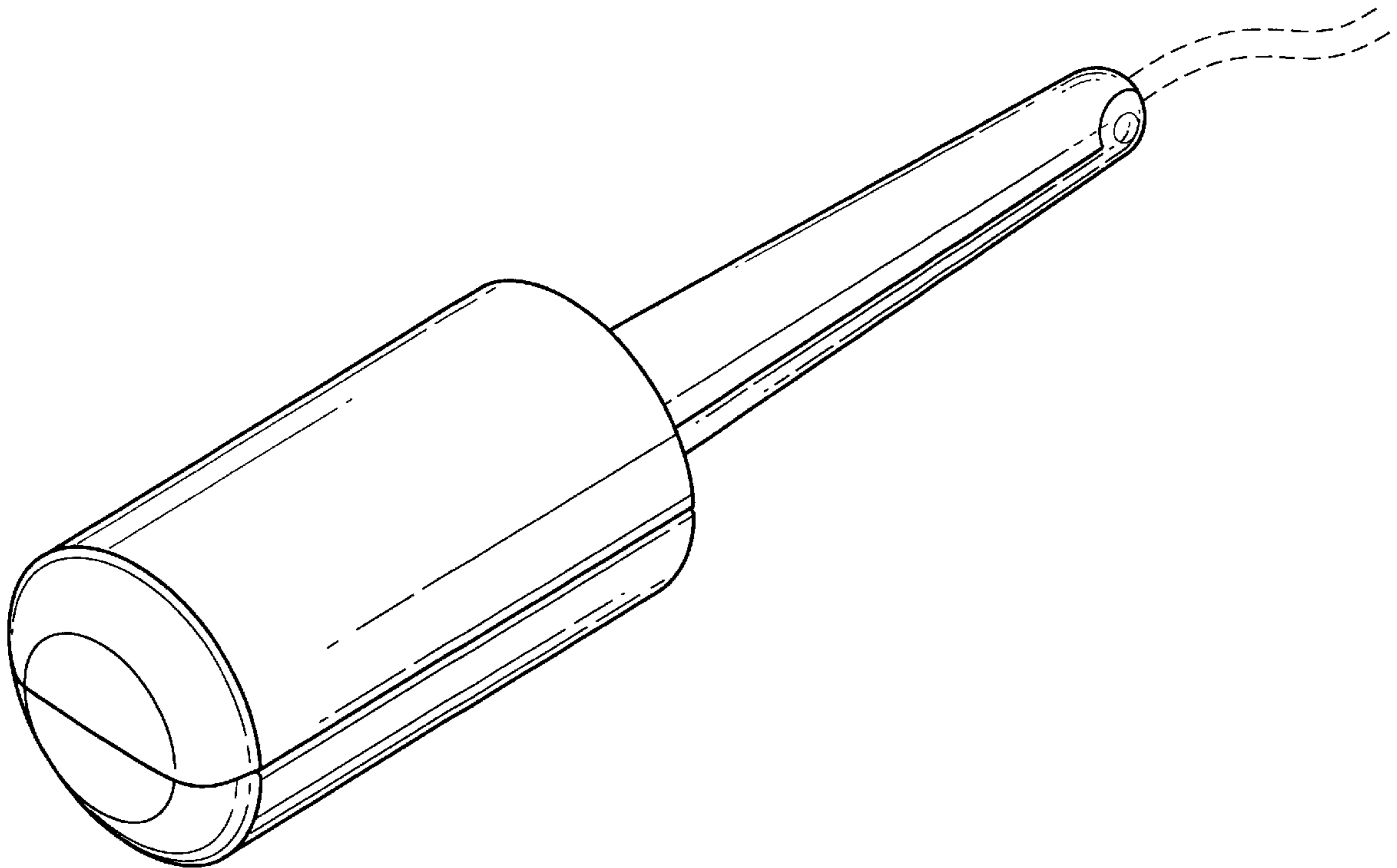
The broken lines showing the bristles and cord are for illustrative purposes only; and form no part of the claimed design.

(56) **References Cited**

**U.S. PATENT DOCUMENTS**

D. 423,792	*	5/2000	Amante et al.	.....	D4/128
3,381,693	*	5/1968	Stevens	.....	132/123
3,911,934	*	10/1975	Helbling	.....	132/271
4,217,915	*	8/1980	Gress et al.	.....	132/271
5,007,442	*	4/1991	Hirzel	.....	132/318
5,091,629	*	2/1992	McGee	.....	219/222
5,865,188	*	2/1999	Marquez	.....	132/132
5,887,600	*	3/1999	Wilk	.....	132/262
5,934,293	*	8/1999	Kaizuka	.....	132/225

**1 Claim, 5 Drawing Sheets**



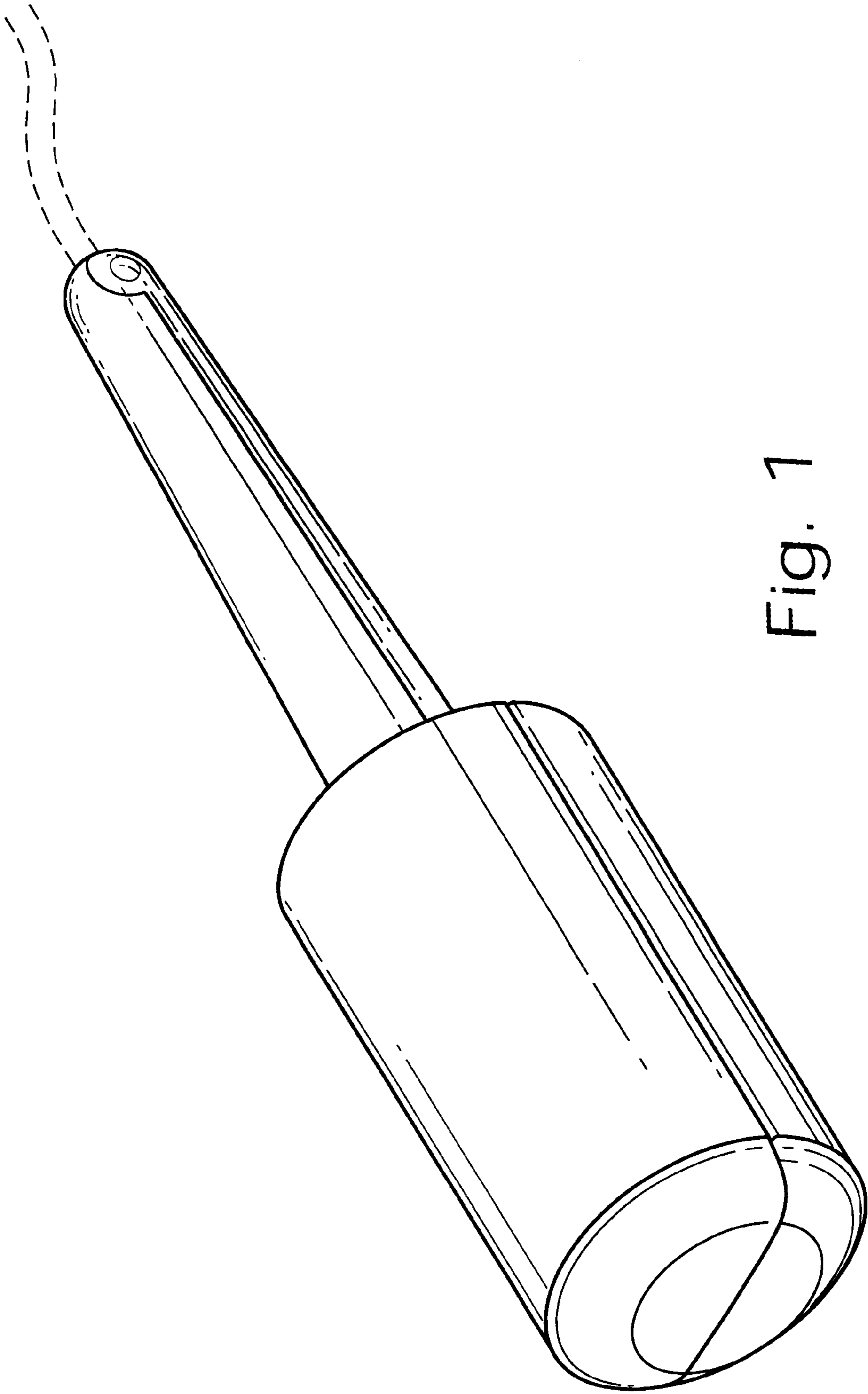


Fig. 1

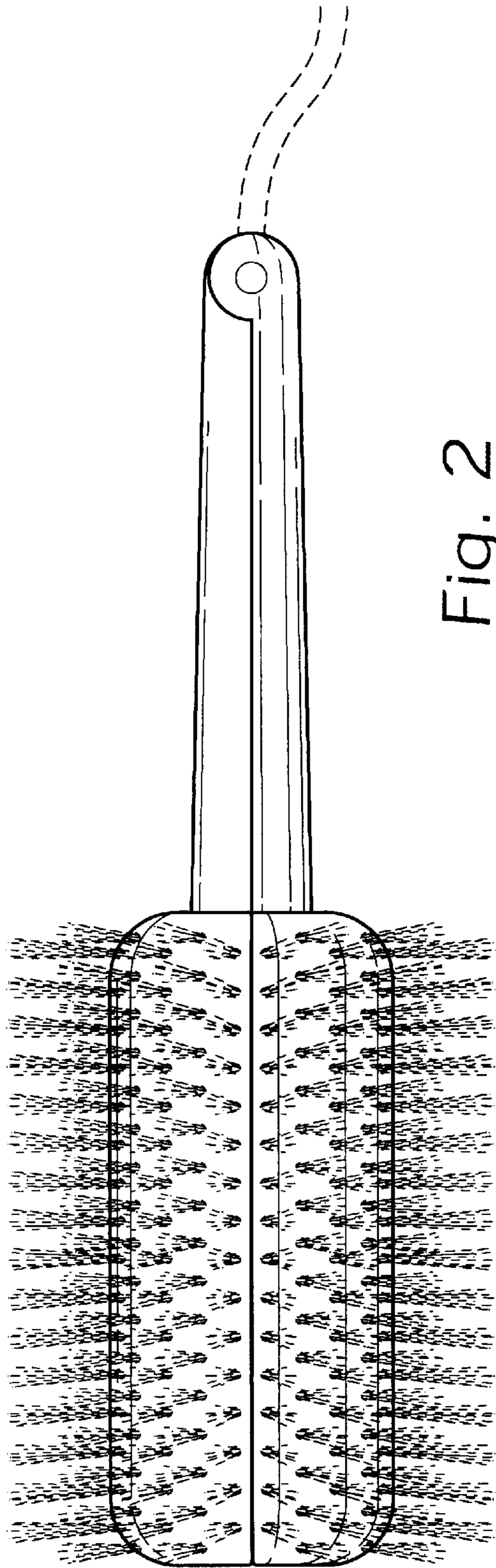


Fig. 2

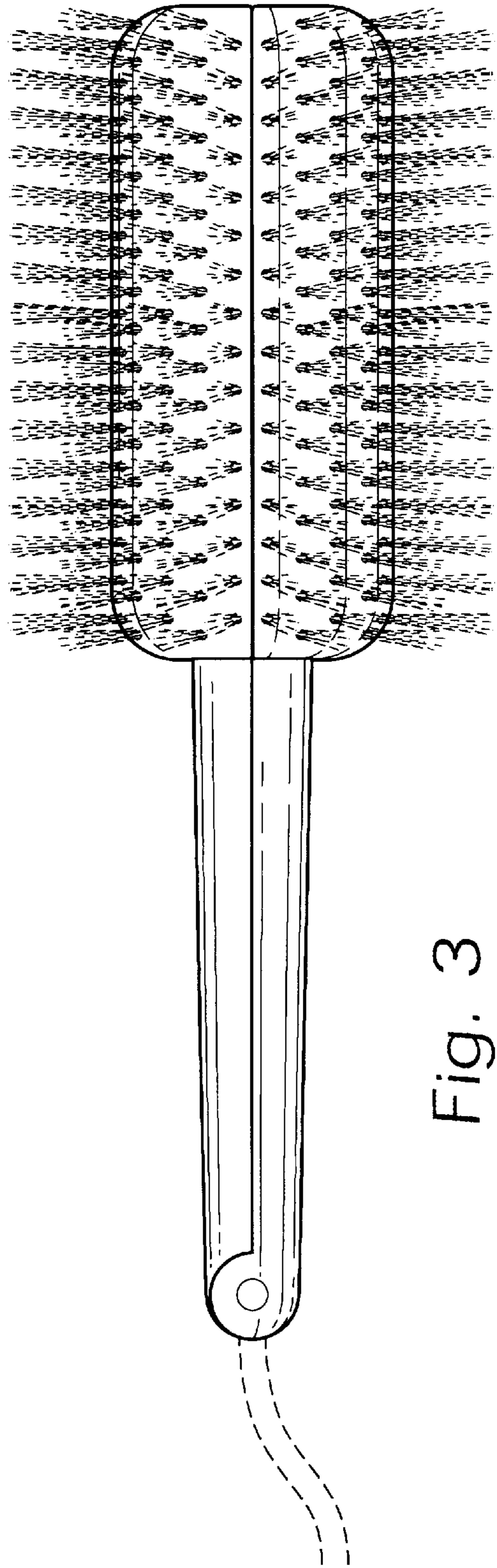


Fig. 3

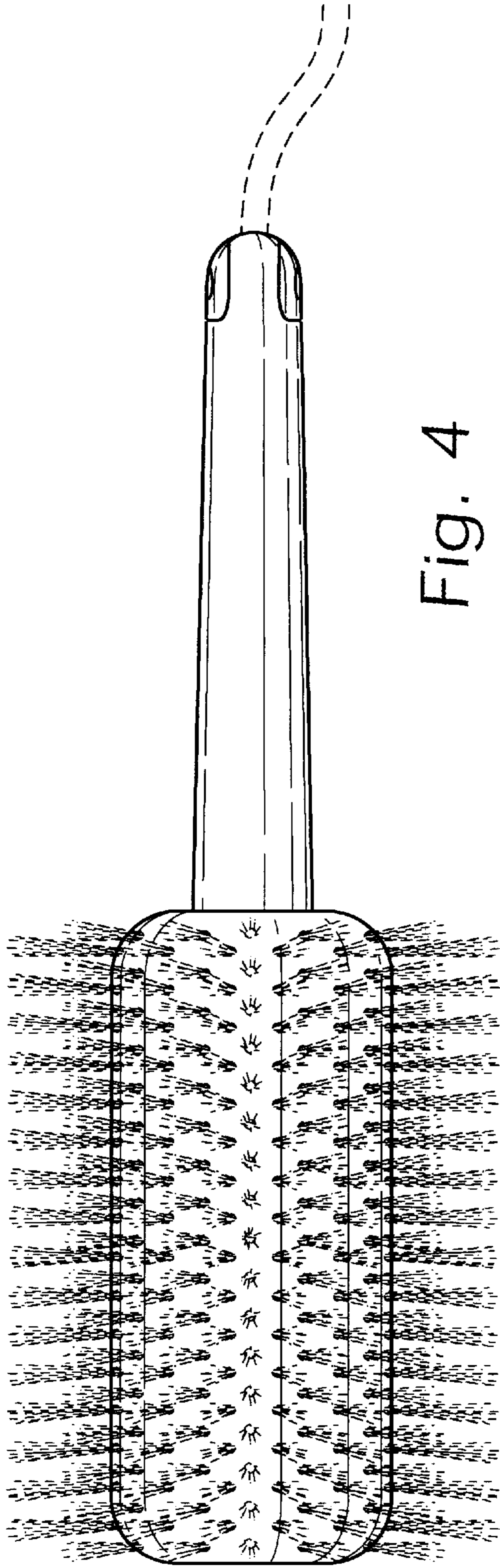


Fig. 4

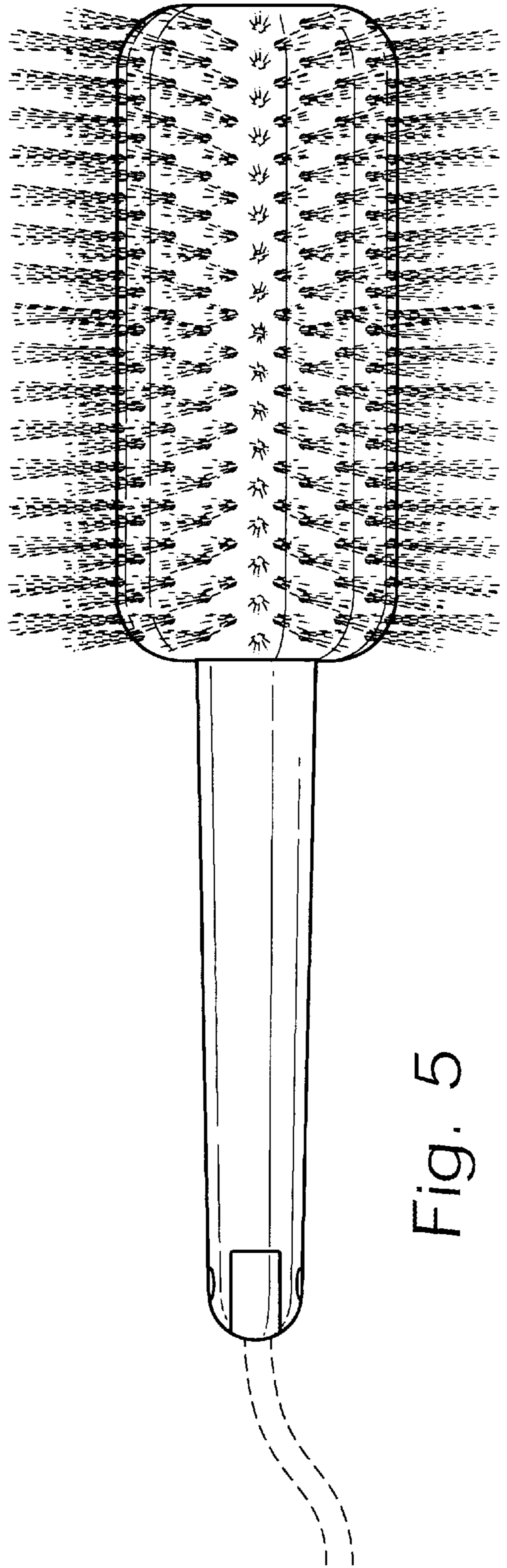


Fig. 5

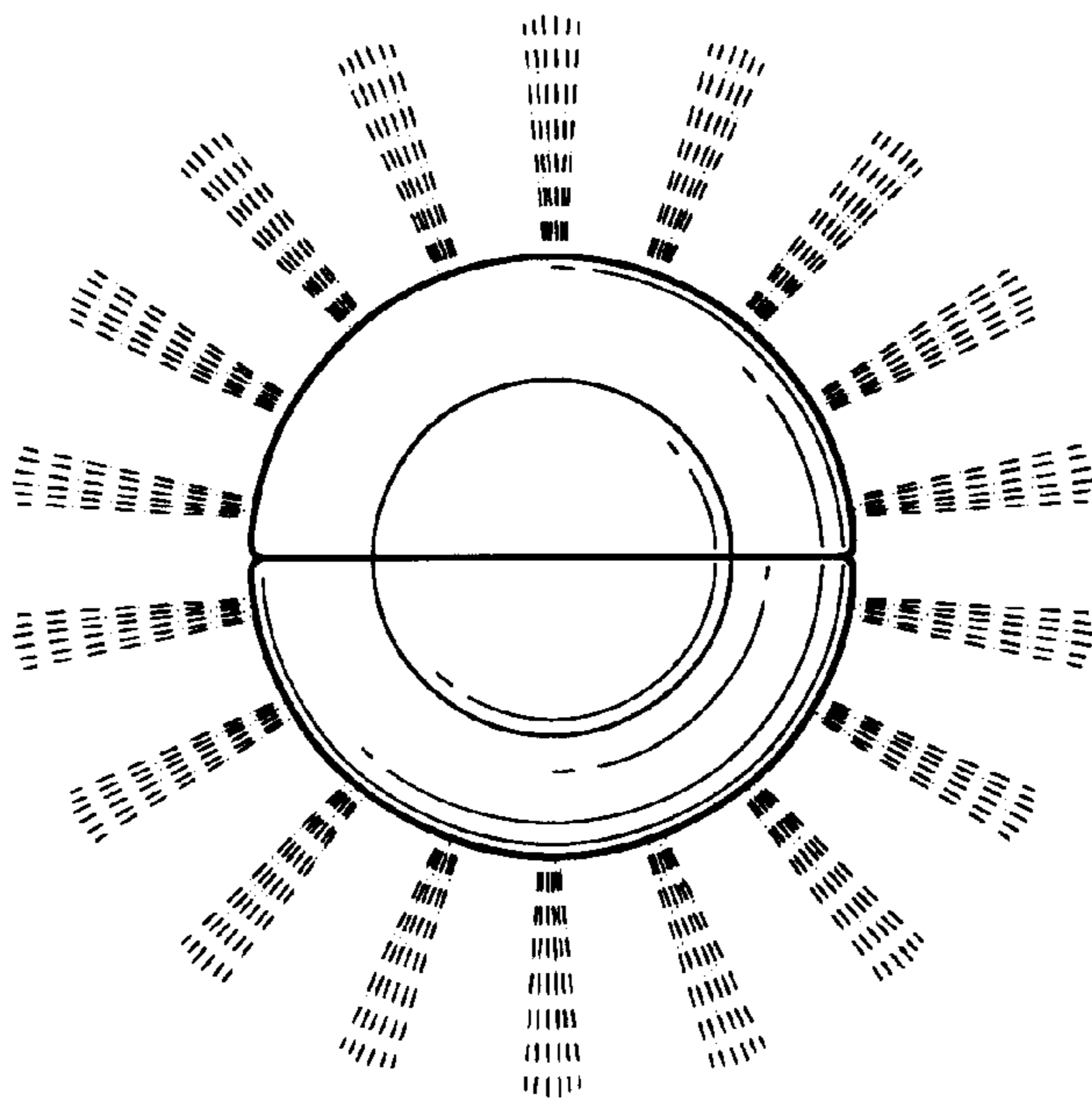


Fig. 6

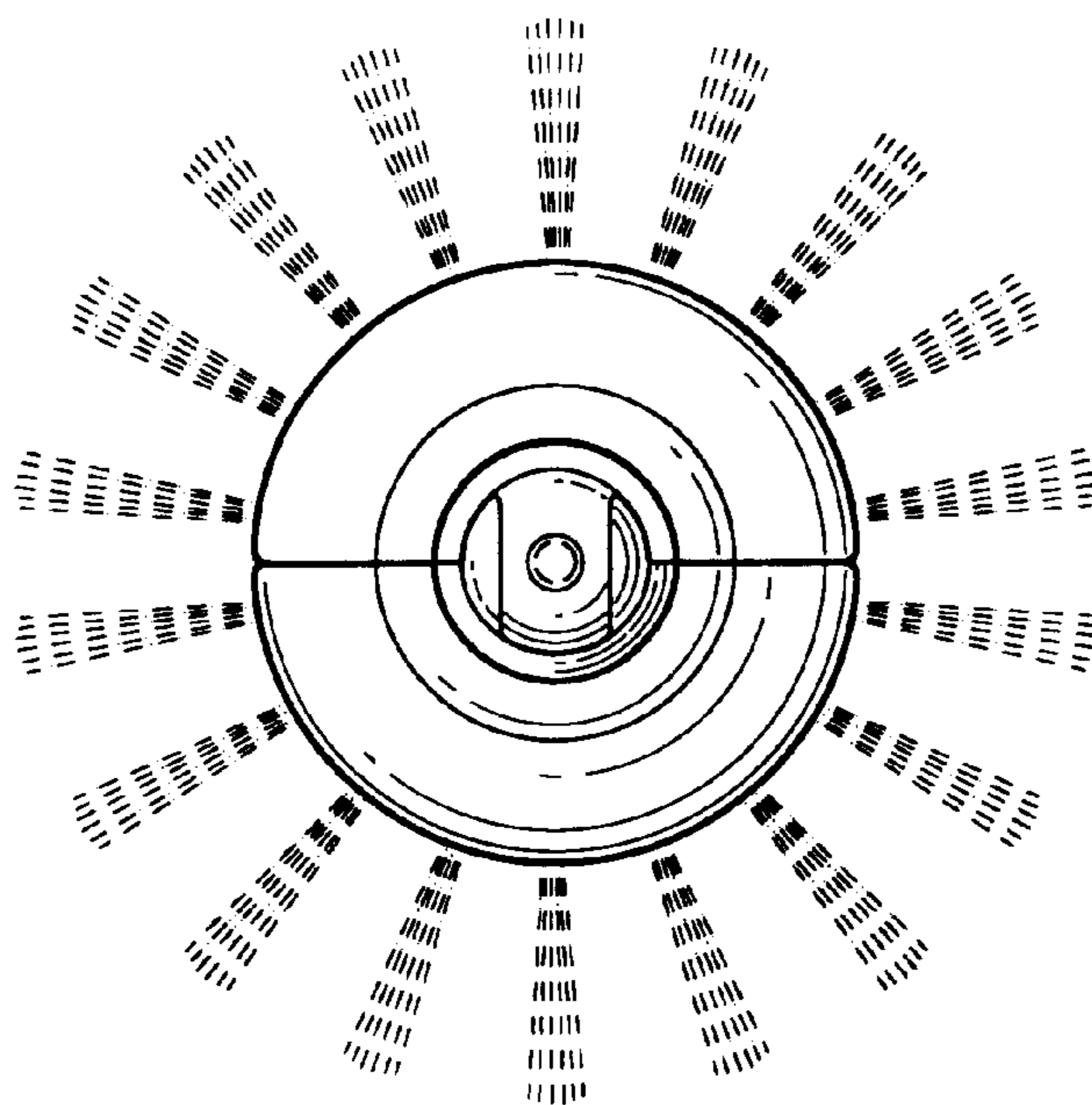


Fig. 7

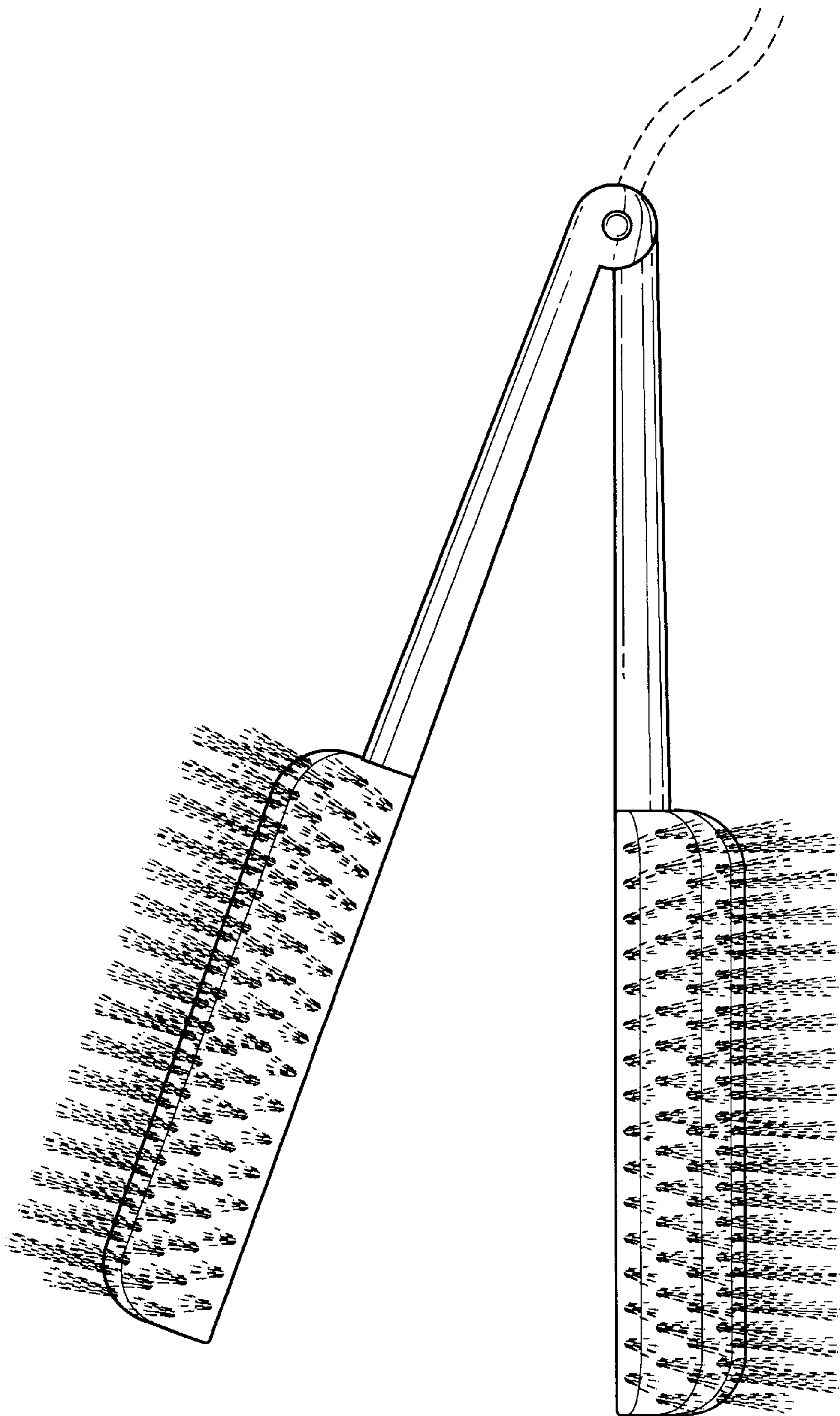


Fig. 8