



US00D450150B1

(12) **United States Design Patent**
Skradski et al.

(10) **Patent No.:** **US D450,150 S**

(45) **Date of Patent:** **** Nov. 6, 2001**

(54) **LIGHTING FIXTURE HOUSING**

(75) Inventors: **Thomas J. Skradski**, Piedmont; **Gary L. Cross**, San Francisco, both of CA (US)

(73) Assignee: **Lumenworks Lighting Products, Inc.**, Oakland, CA (US)

(**) Term: **14 Years**

(21) Appl. No.: **29/137,716**

(22) Filed: **Feb. 26, 2001**

Related U.S. Application Data

(62) Division of application No. 29/115,972, filed on Dec. 22, 1999.

(51) **LOC (7) Cl.** **26-05**

(52) **U.S. Cl.** **D26/68**

(58) **Field of Search** D26/67-71, 93,
D26/102, 104-112; 362/153, 153.1, 253,
431, 362, 363, 267, 268

(56) **References Cited**

U.S. PATENT DOCUMENTS

D. 338,080 * 8/1993 Elazari D26/68

D. 407,842 * 4/1999 Landefeld D26/68
5,649,760 * 7/1997 Beadle 362/431 X

* cited by examiner

Primary Examiner—Alan P. Douglas

Assistant Examiner—Linda Brooks

(74) *Attorney, Agent, or Firm*—Donald L. Beeson

(57) **CLAIM**

The ornamental design for a lighting fixture housing, as shown and described.

DESCRIPTION

FIG. 1 is a top perspective view of a lighting fixture housing showing our new design;

FIG. 2 is a bottom perspective view thereof;

FIG. 3 is a front elevational view thereof;

FIG. 4 is a right side elevational view thereof;

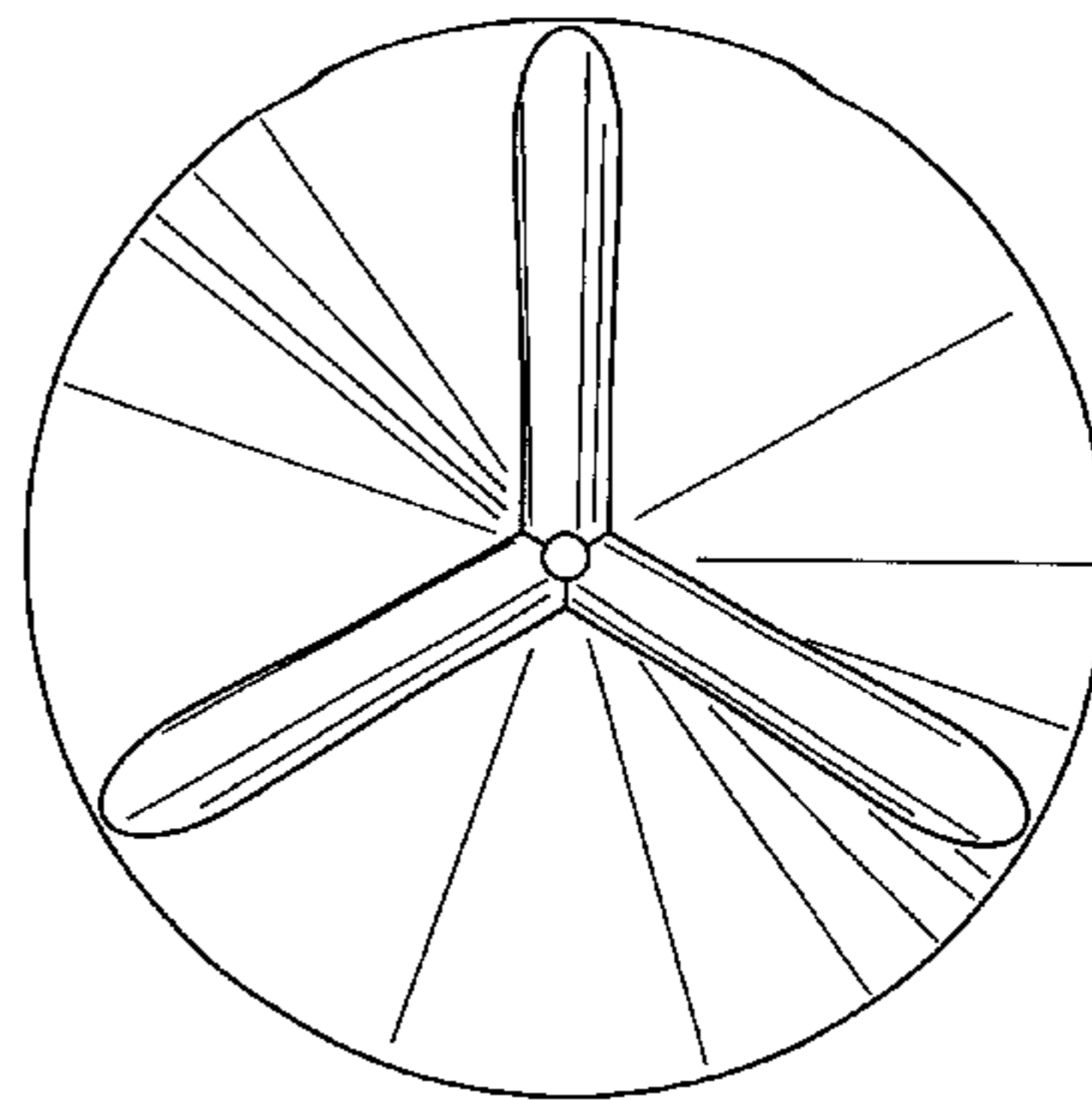
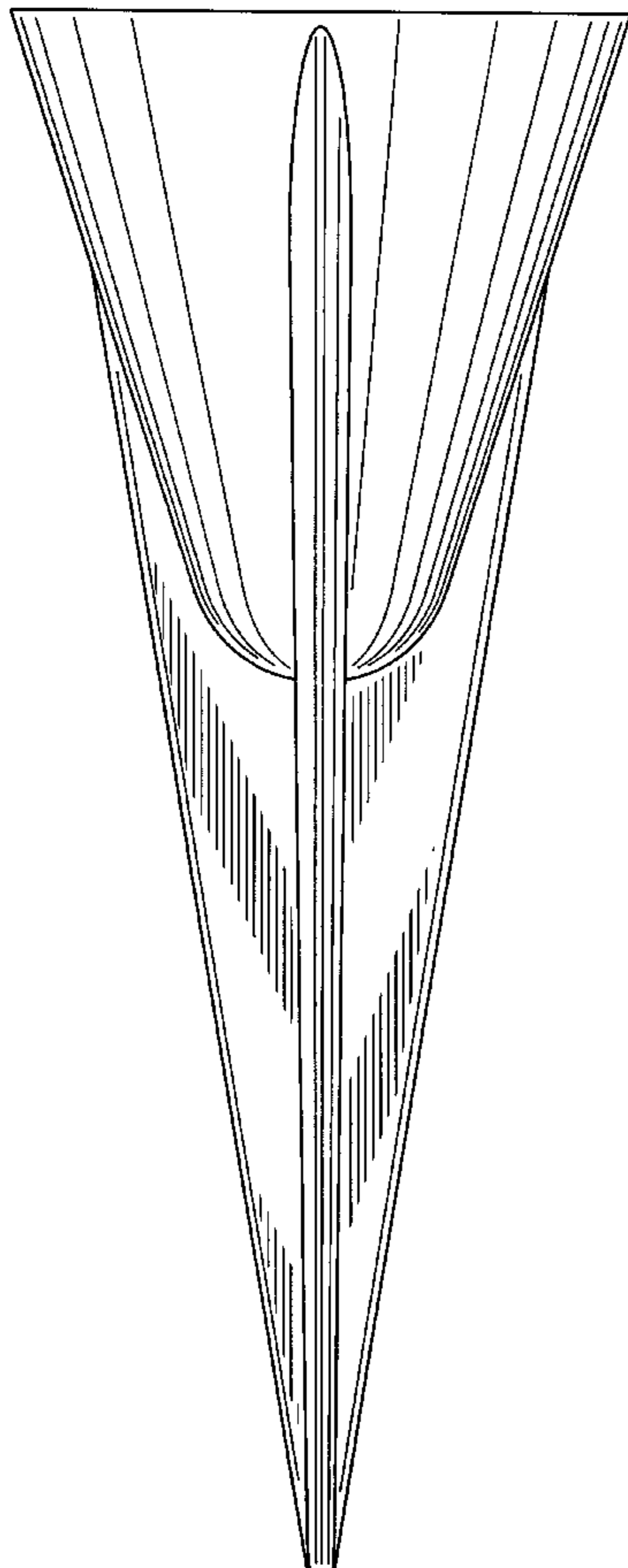
FIG. 5 is a rear elevational view thereof;

FIG. 6 is a left side elevational view thereof; and,

FIG. 7 is a bottom plan view thereof.

The top of the lighting fixture housing is unornamented and is not considered part of our new design. The broken lines shown in FIGS. 1 and 2 are for illustrative purposes only and indicate the nature and use of our new design.

1 Claim, 7 Drawing Sheets



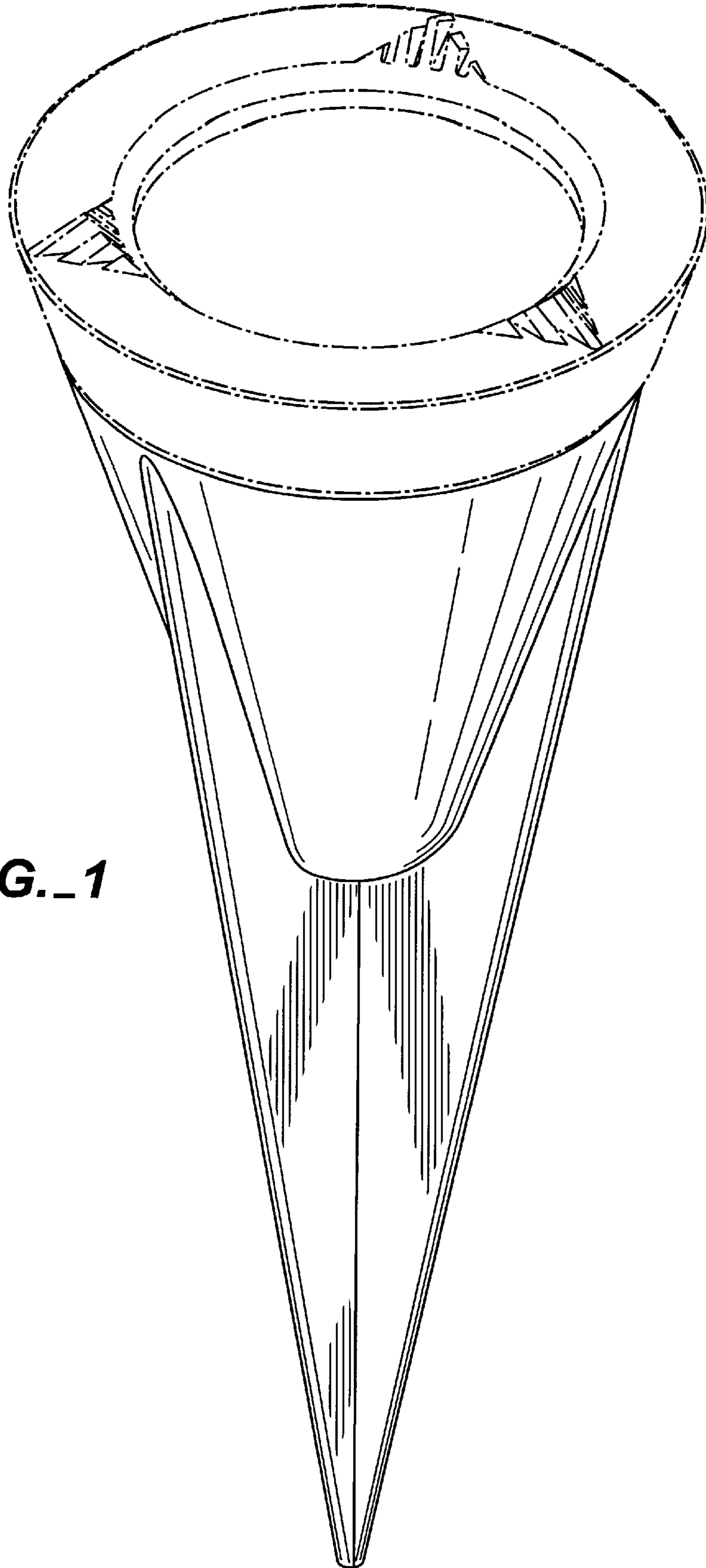


FIG. 1

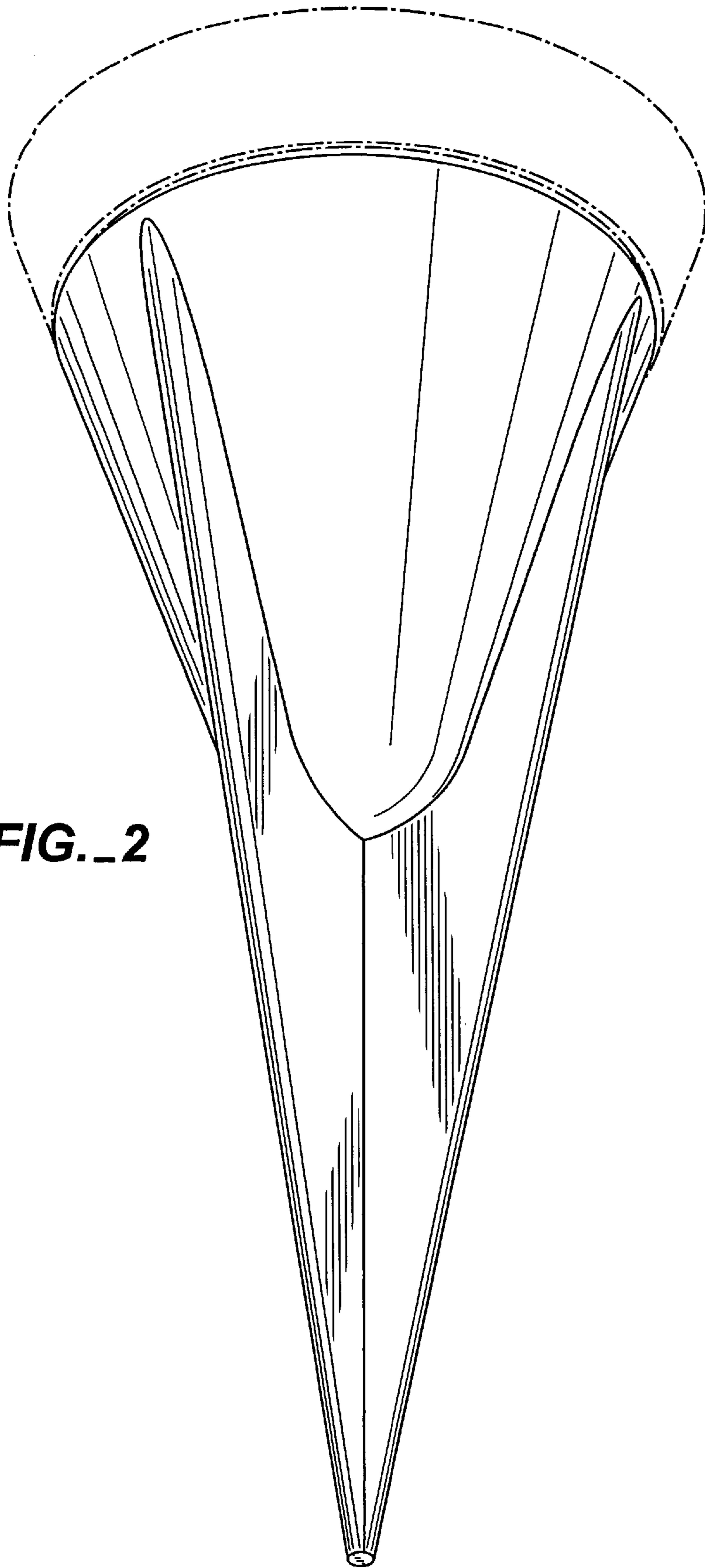


FIG. 2

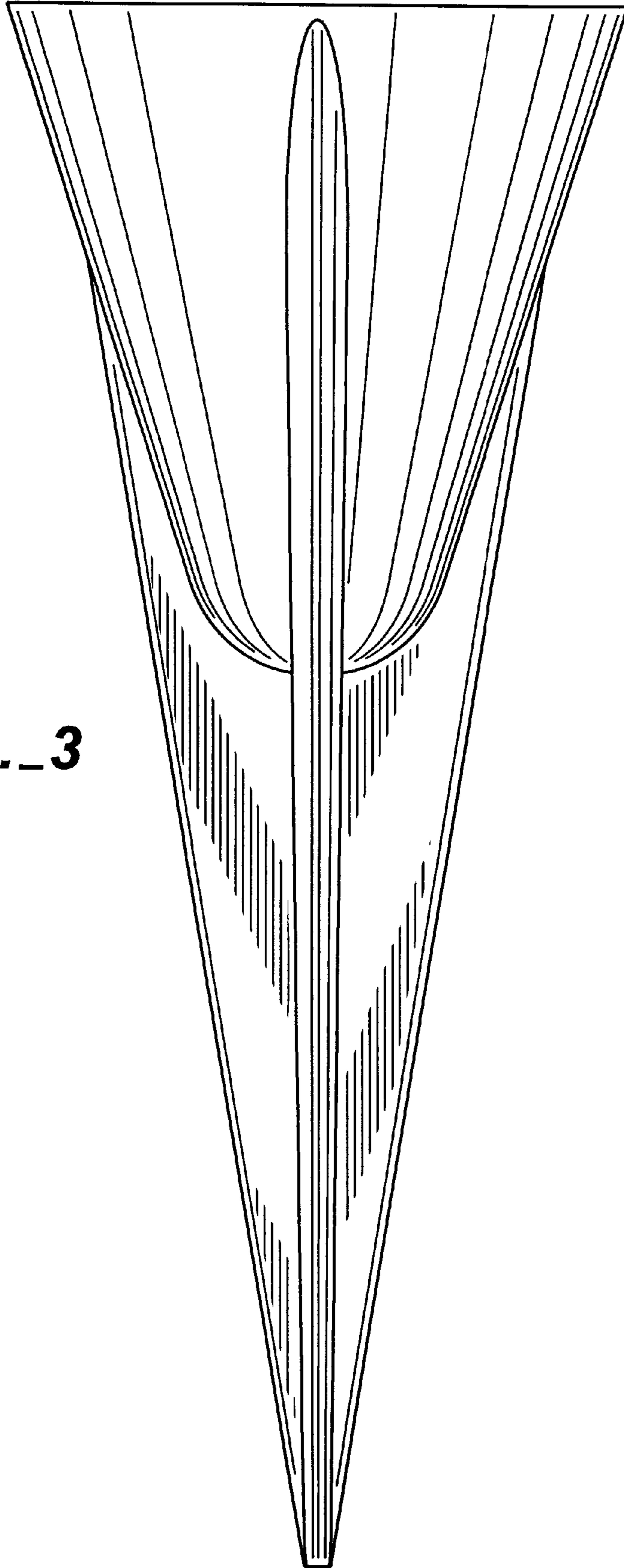
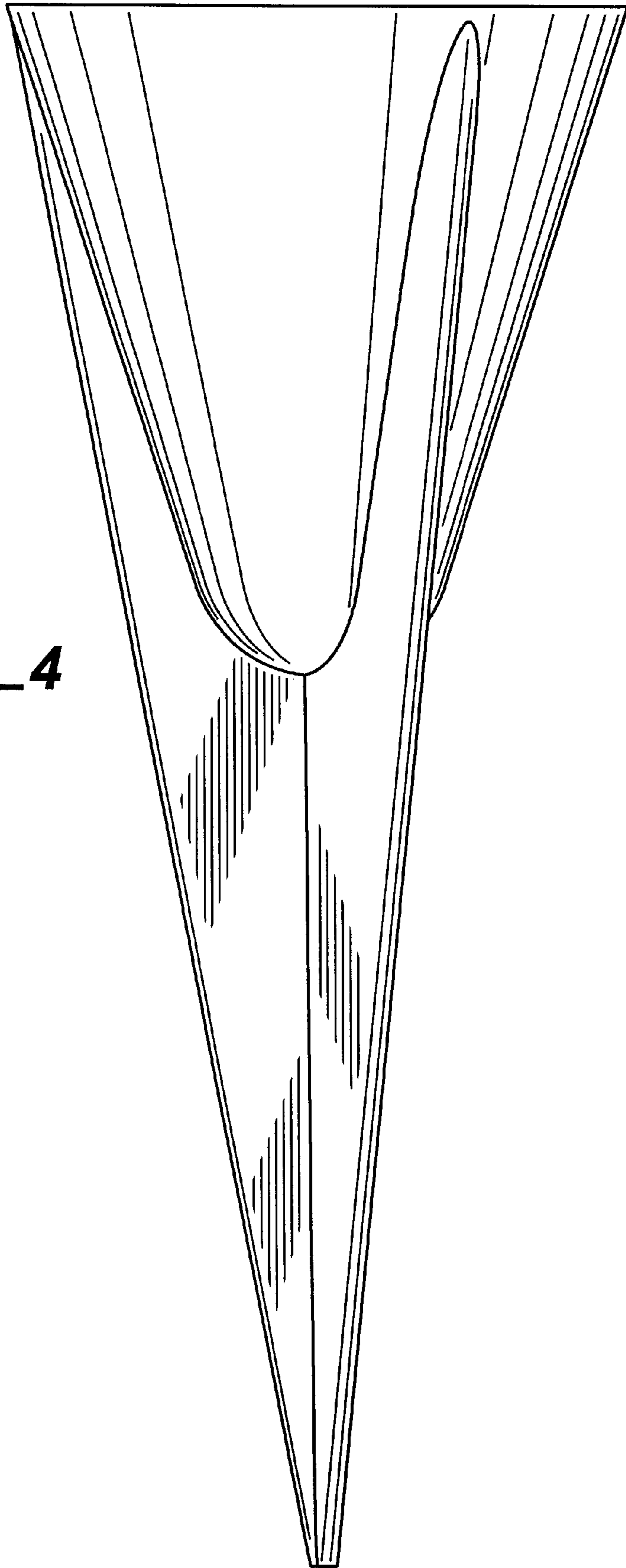


FIG. 3

FIG._4



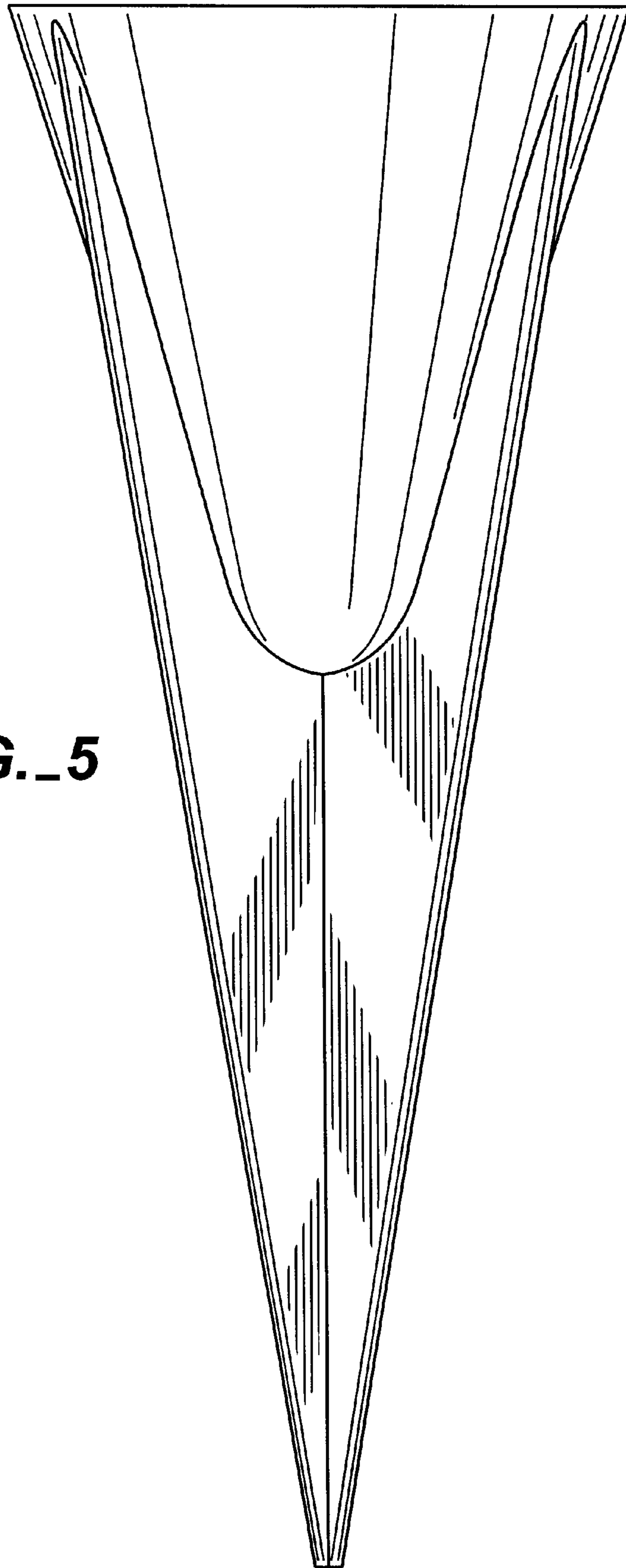


FIG. 5

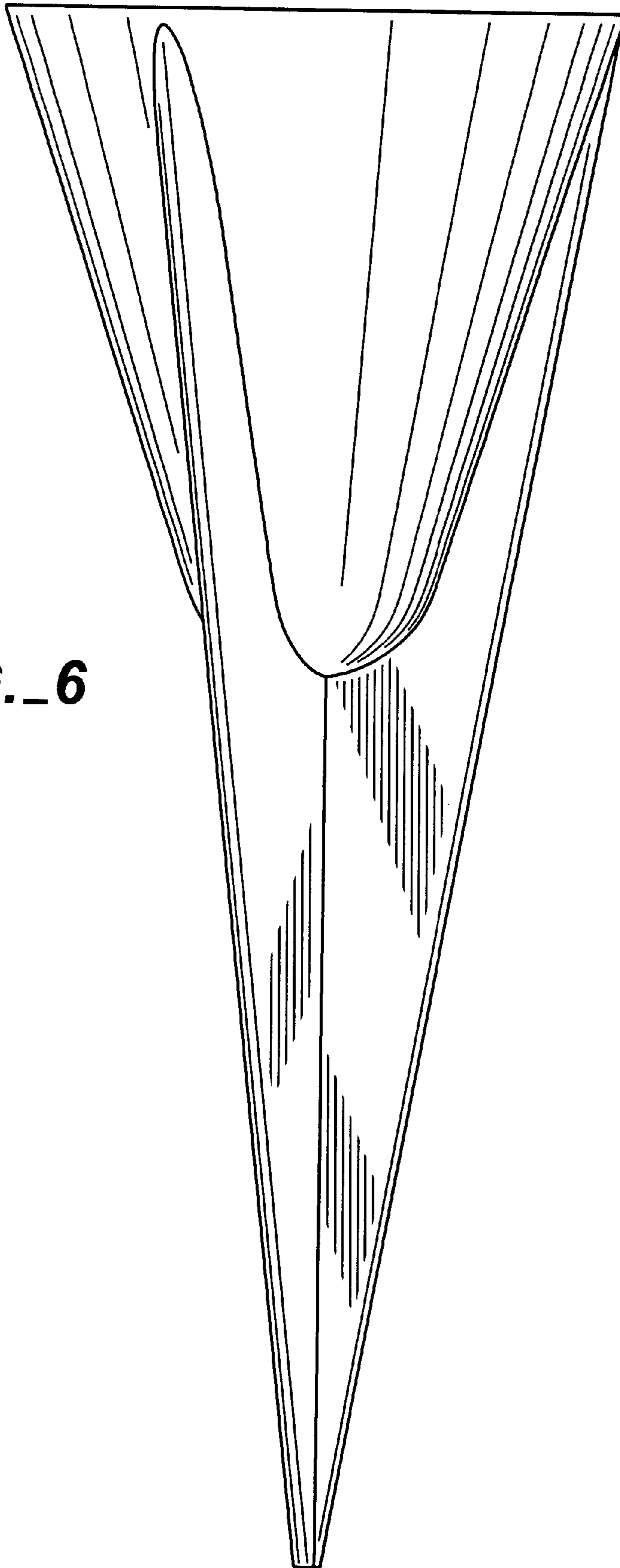


FIG._6

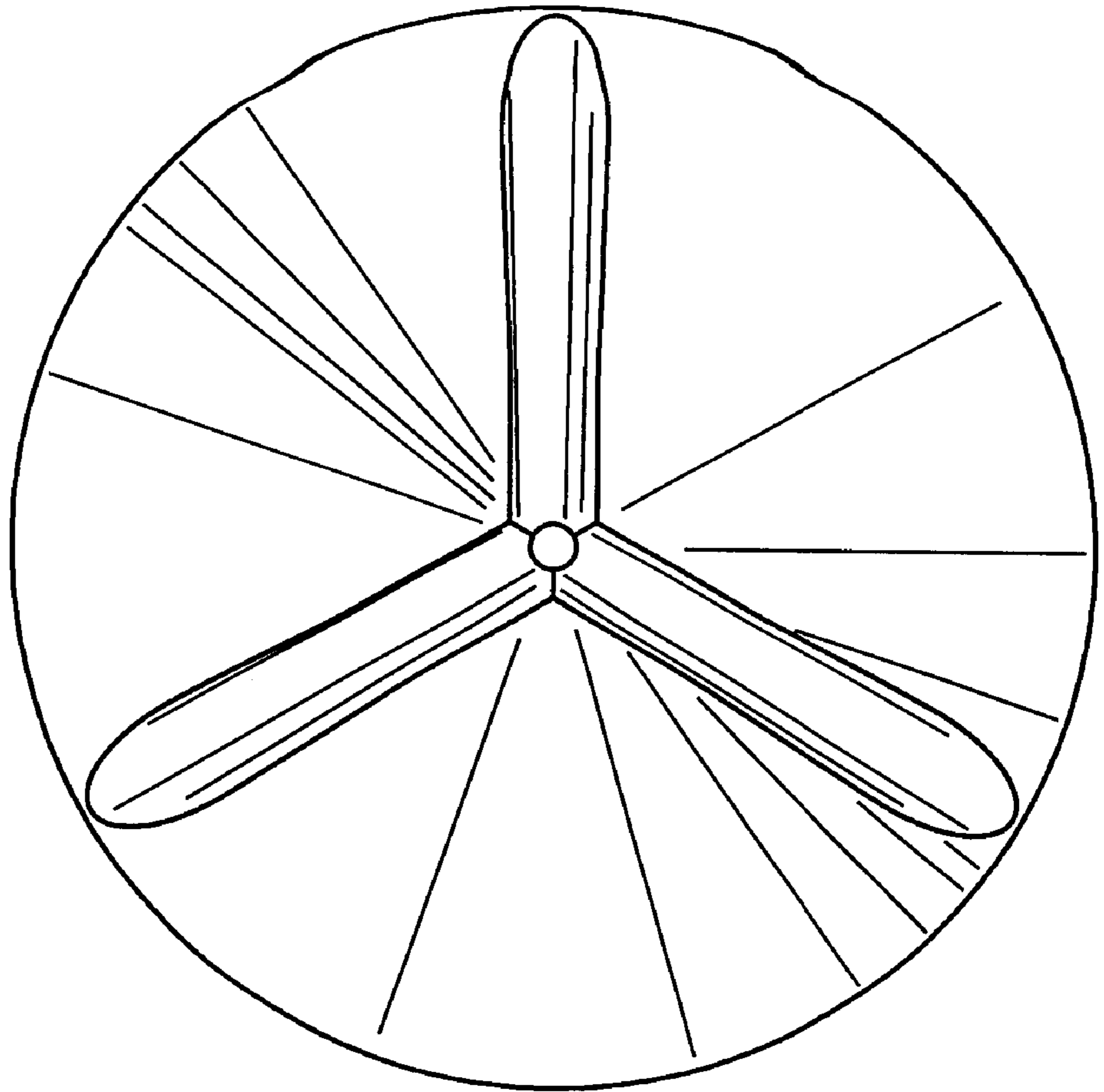


FIG. 7