



US00D450149B1

(12) **United States Design Patent**
Leen

(10) **Patent No.:** **US D450,149 S**

(45) **Date of Patent:** **** Nov. 6, 2001**

(54) **THREE LAMP WORK LIGHT**

(76) Inventor: **Monte A. Leen**, 11730 NE. 12th St.,
Bellevue, WA (US) 98005

(**) Term: **14 Years**

(21) Appl. No.: **29/137,293**

(22) Filed: **Feb. 15, 2001**

(51) **LOC (7) Cl.** **26-05**

(52) **U.S. Cl.** **D26/65**

(58) **Field of Search** D26/60-65; 362/236,
362/269, 277, 282, 285, 396, 418, 419,
428, 426, 393, 401

(56) **References Cited**

U.S. PATENT DOCUMENTS

D. 436,204 1/2001 Leen D26/63
4,167,783 * 9/1979 Mitchell 362/236

OTHER PUBLICATIONS

Taiwan Lighting magazine, Nov. 1999, p. 172, spotlight #
CQ-500DWF.*

* cited by examiner

Primary Examiner—Susan J. Lucas

(74) *Attorney, Agent, or Firm*—Dean A. Craine

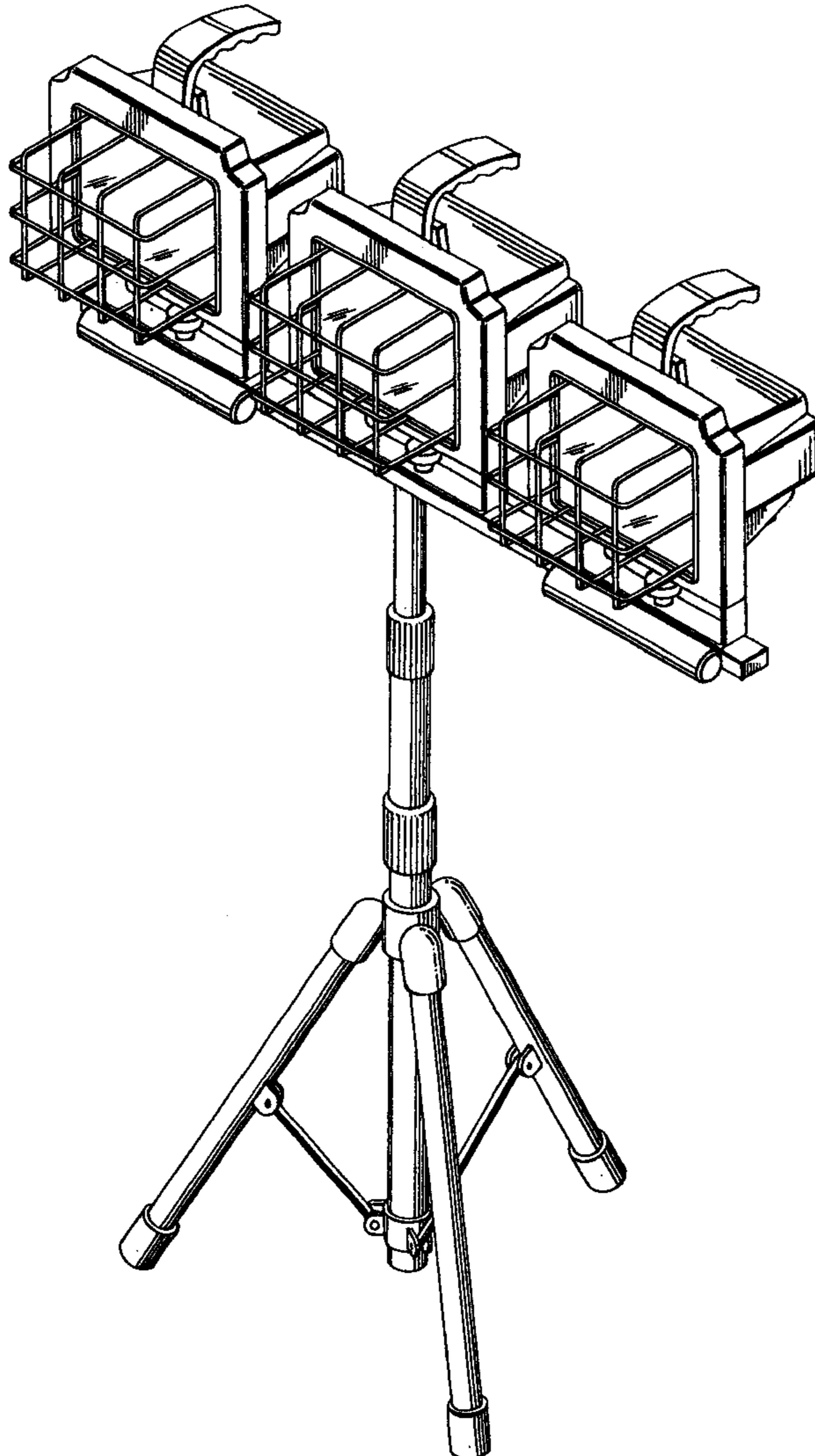
(57) **CLAIM**

The ornamental design for a three lamp work light, as shown
and described.

DESCRIPTION

FIG. 1 is a perspective view of the three lamp work light.
FIG. 2 is a front elevation view of the invention.
FIG. 3 is a rear elevation view of the invention.
FIG. 4 is a right side elevation view of the invention.
FIG. 5 is a left side elevation view of the invention.
FIG. 6 is a top plan view of the invention; and,
FIG. 7 is a bottom plan view of the invention.

1 Claim, 5 Drawing Sheets



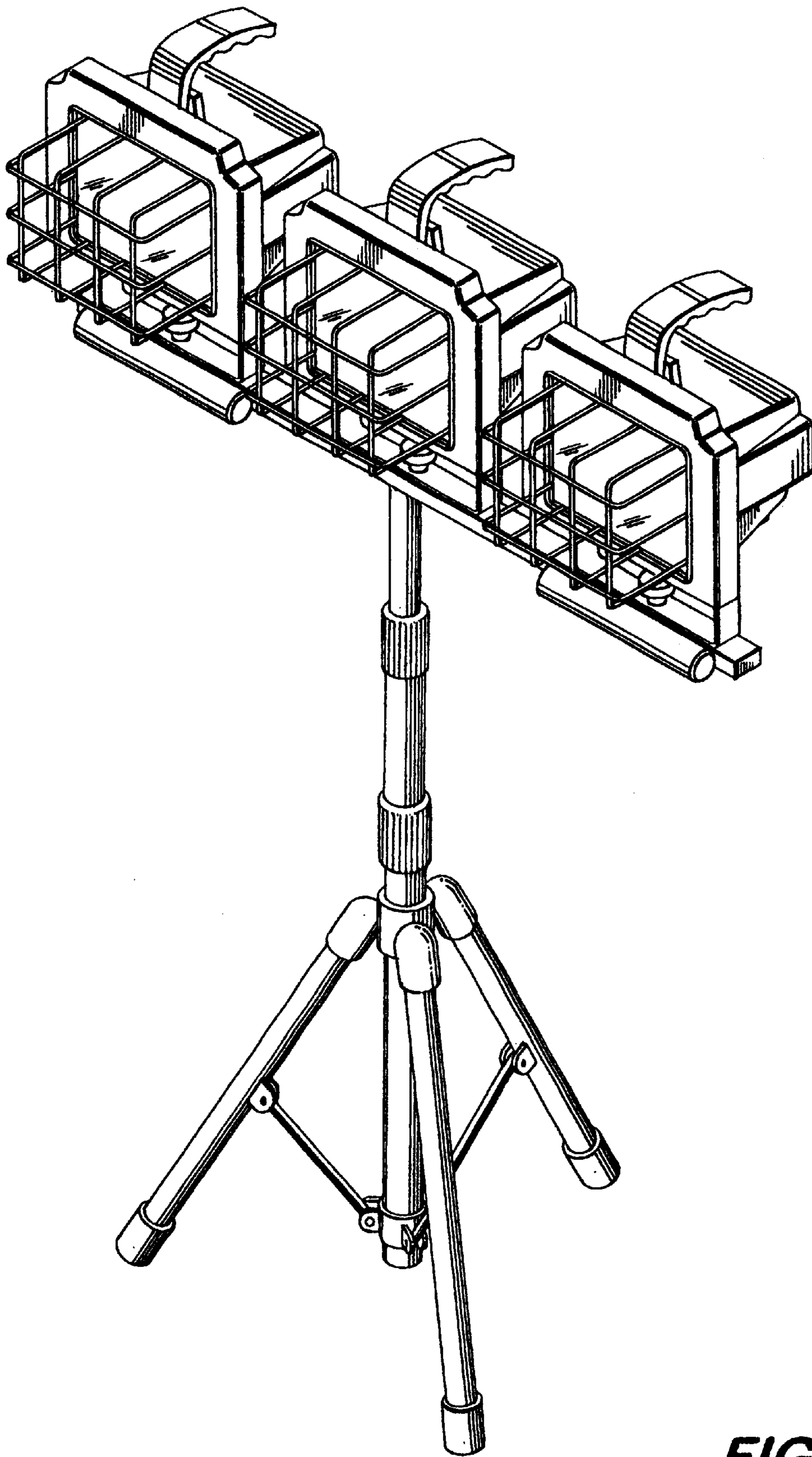


FIG. 1

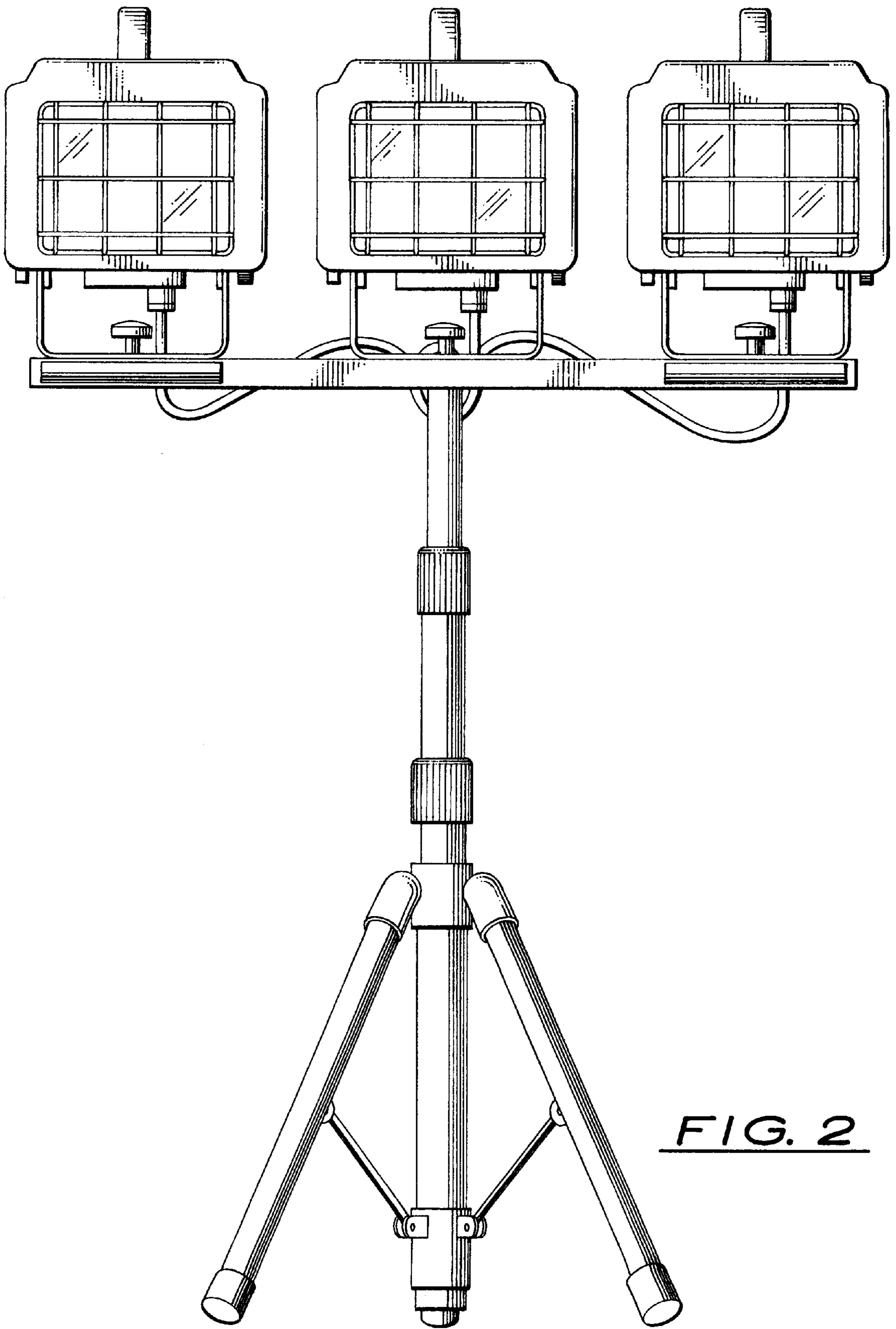


FIG. 2

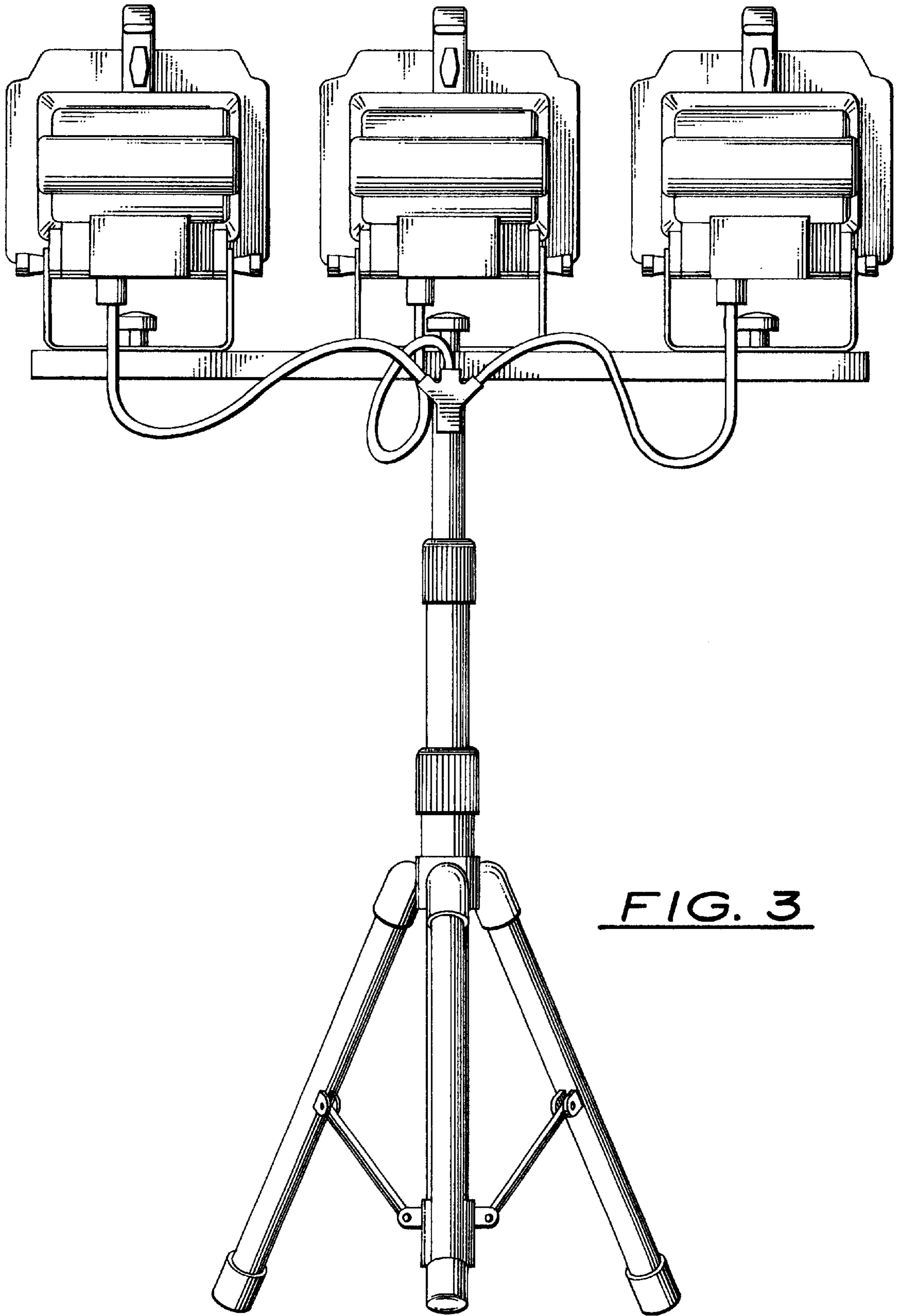


FIG. 3

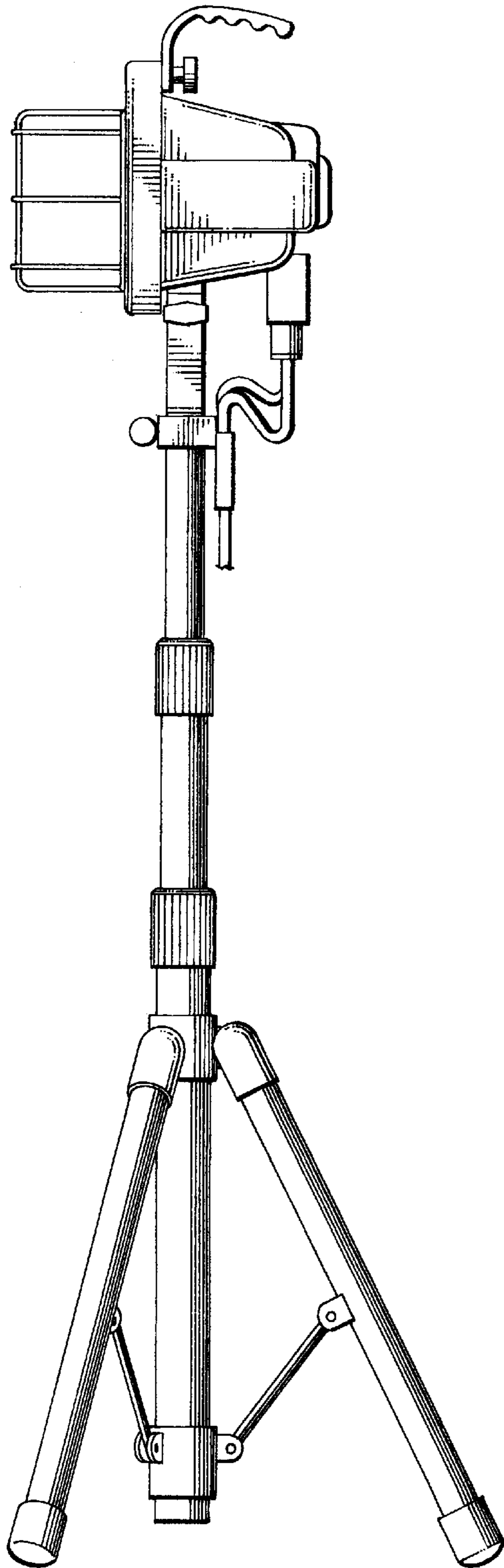


FIG. 4

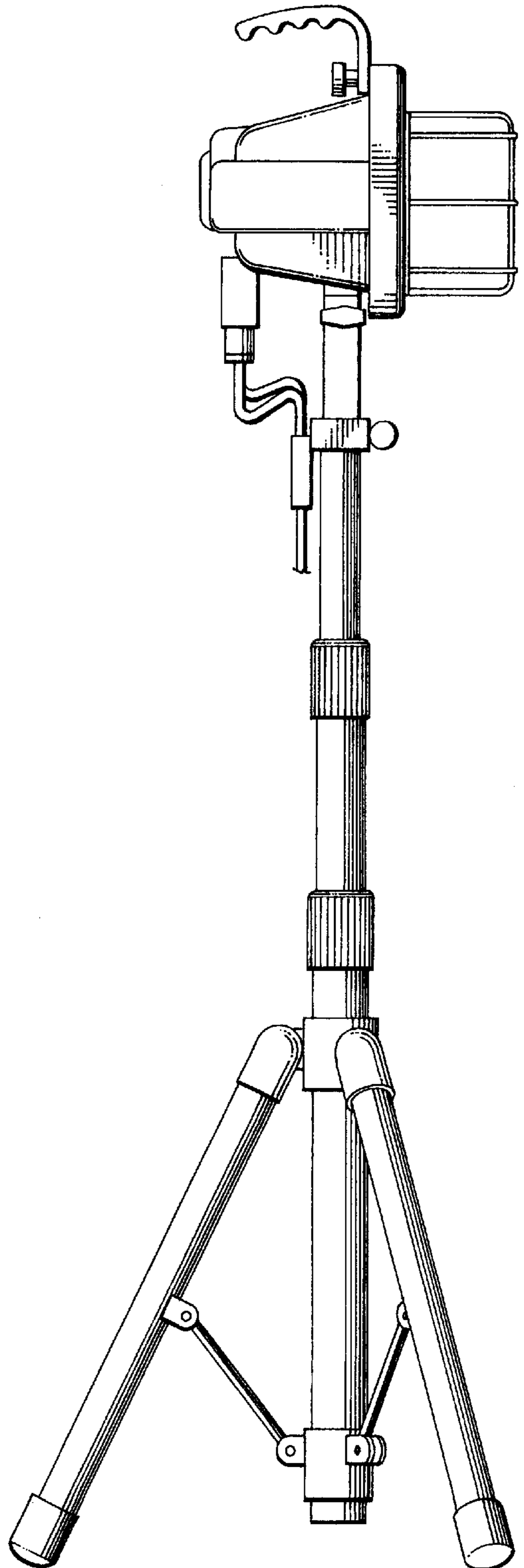


FIG. 5

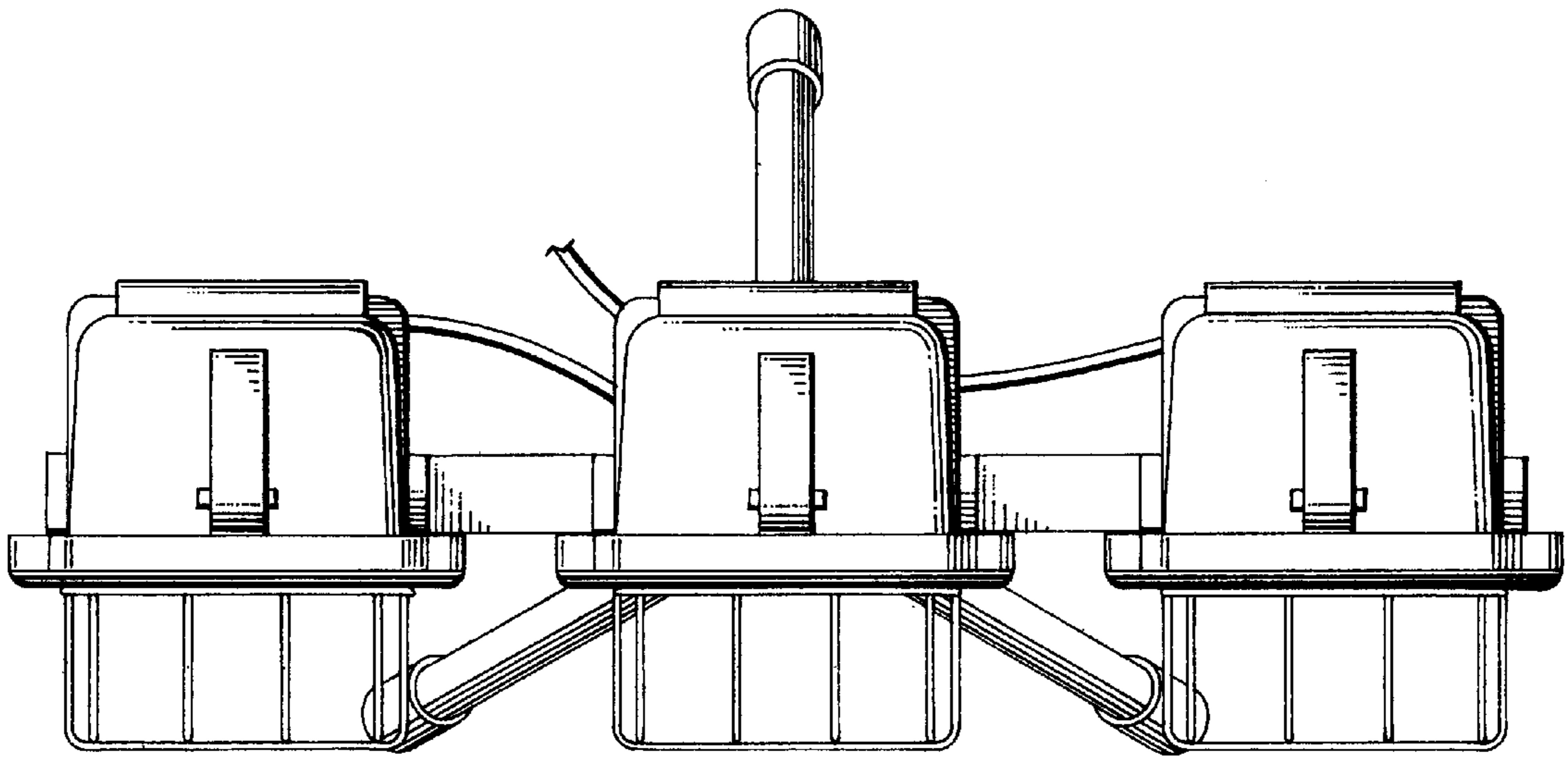


FIG. 6

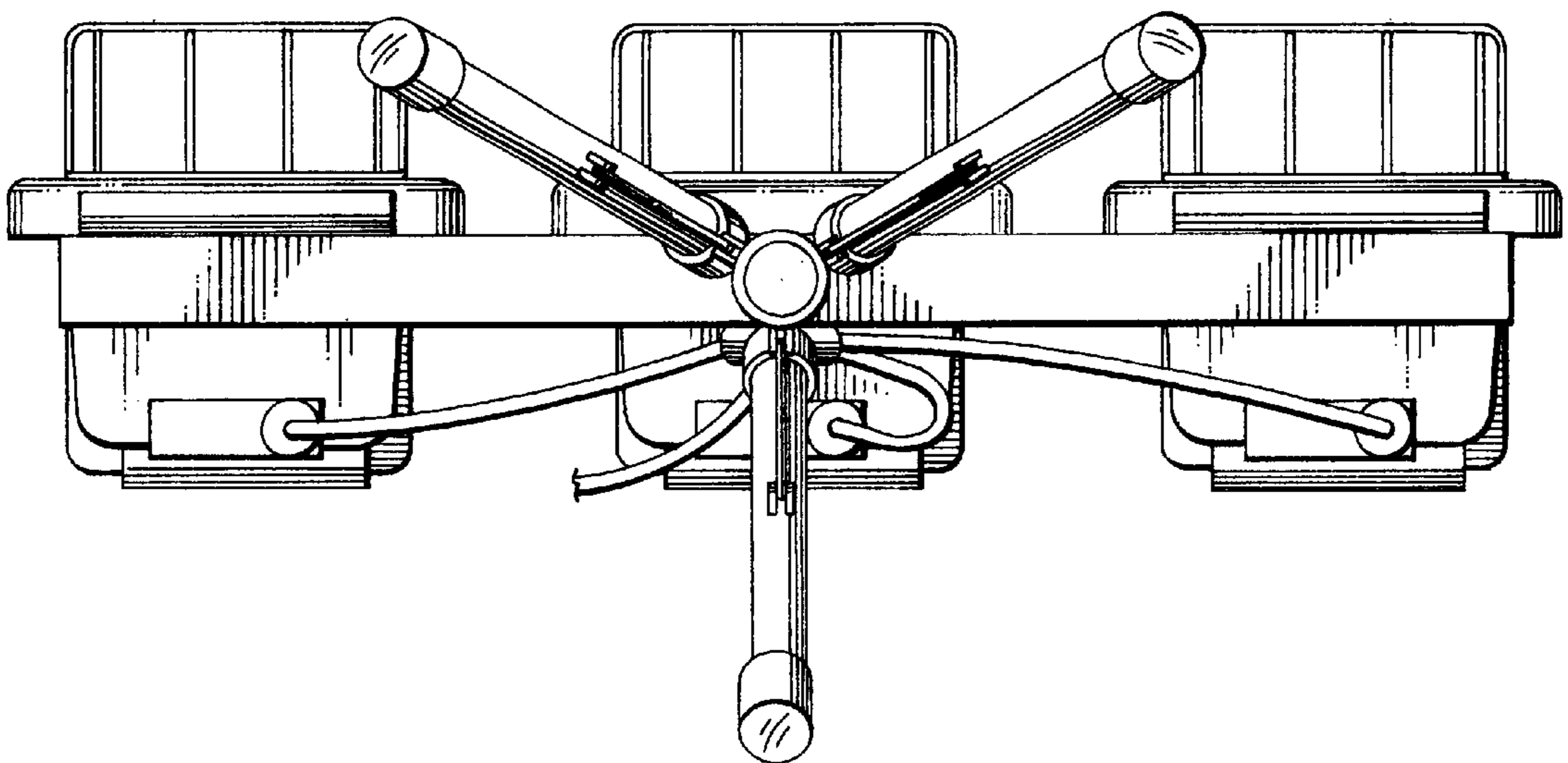


FIG. 7