



US00D450148B1

(12) **United States Design Patent**
Bergne et al.

(10) **Patent No.:** **US D450,148 S**

(45) **Date of Patent:** **** Nov. 6, 2001**

(54) **LAMP**

(75) Inventors: **Sebastian Bergne**, London (GB);
Mathias Neumann, Emmerich (DE)

(73) Assignee: **Ansorg GmbH**, Mulheim (DE)

(**) Term: **14 Years**

(21) Appl. No.: **29/125,186**

(22) Filed: **Jun. 20, 2000**

(30) **Foreign Application Priority Data**

Dec. 24, 1999 (DE) 499 12 010

(51) **LOC (7) Cl.** **26-05**

(52) **U.S. Cl.** **D26/63**

(58) **Field of Search** D26/60-66; 362/269,
362/270, 275, 282, 286, 287, 290, 427,
428, 429, 430

(56) **References Cited**

U.S. PATENT DOCUMENTS

D. 388,198 * 12/1997 Weber D26/66
2,041,474 * 5/1936 Kirschmann 362/410
4,706,172 * 11/1987 Lebowitz 362/270

4,779,175 * 10/1988 Charnack 362/287 X

* cited by examiner

Primary Examiner—Susan J. Lucas

(74) *Attorney, Agent, or Firm*—Oliff & Berridge, PLC

(57) **CLAIM**

The ornamental design for lamp, as shown and described.

DESCRIPTION

FIG. 1 is a perspective view of the lamp with the lamp bar support being rotatable to different positions;

FIG. 2 is another perspective view thereof;

FIG. 3 is a front view thereof;

FIG. 4 is a side view thereof, the opposite side view being a mirror image;

FIG. 5 is a top view thereof;

FIG. 6 is a another perspective view thereof;

FIG. 7 is another perspective view thereof;

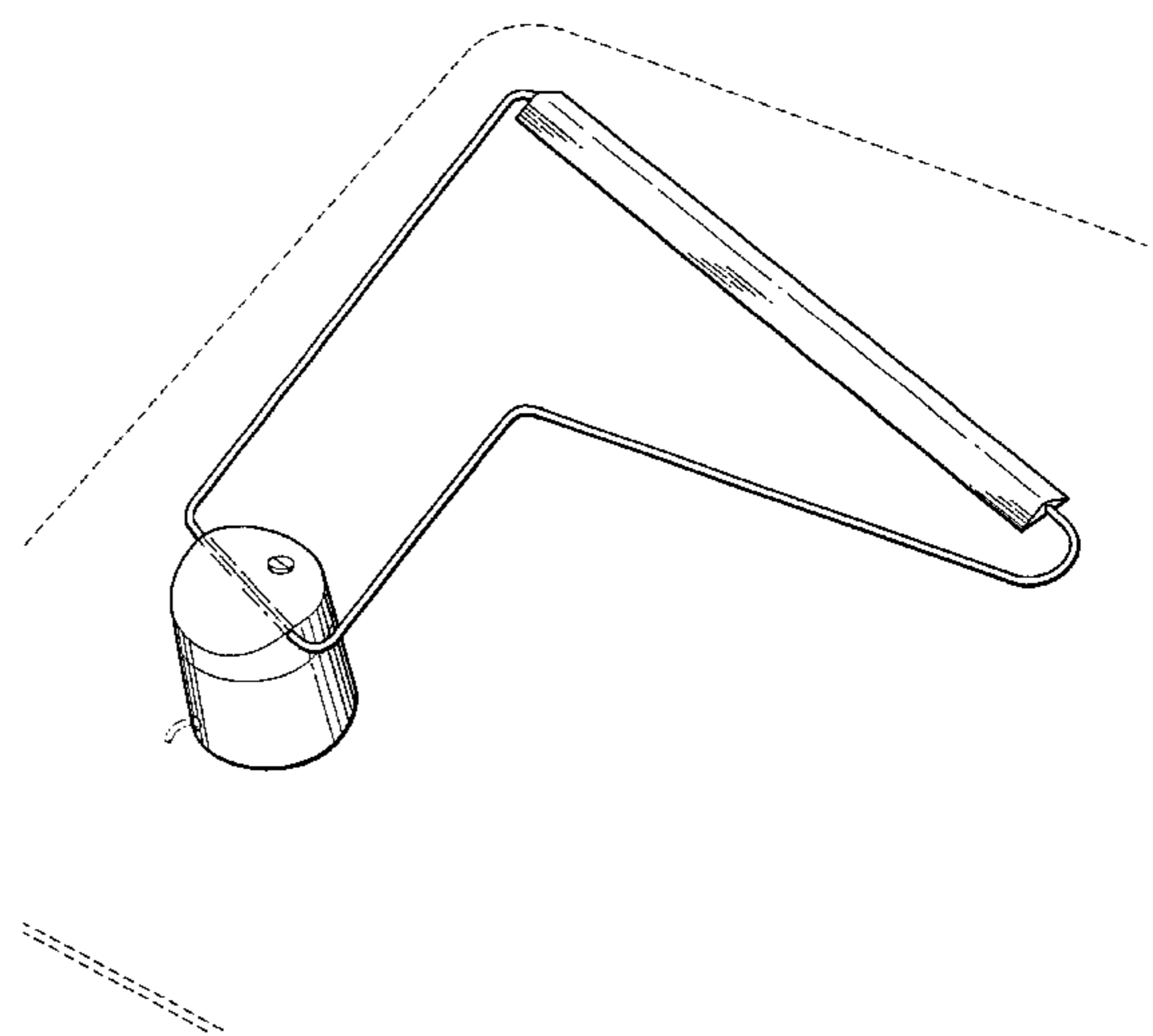
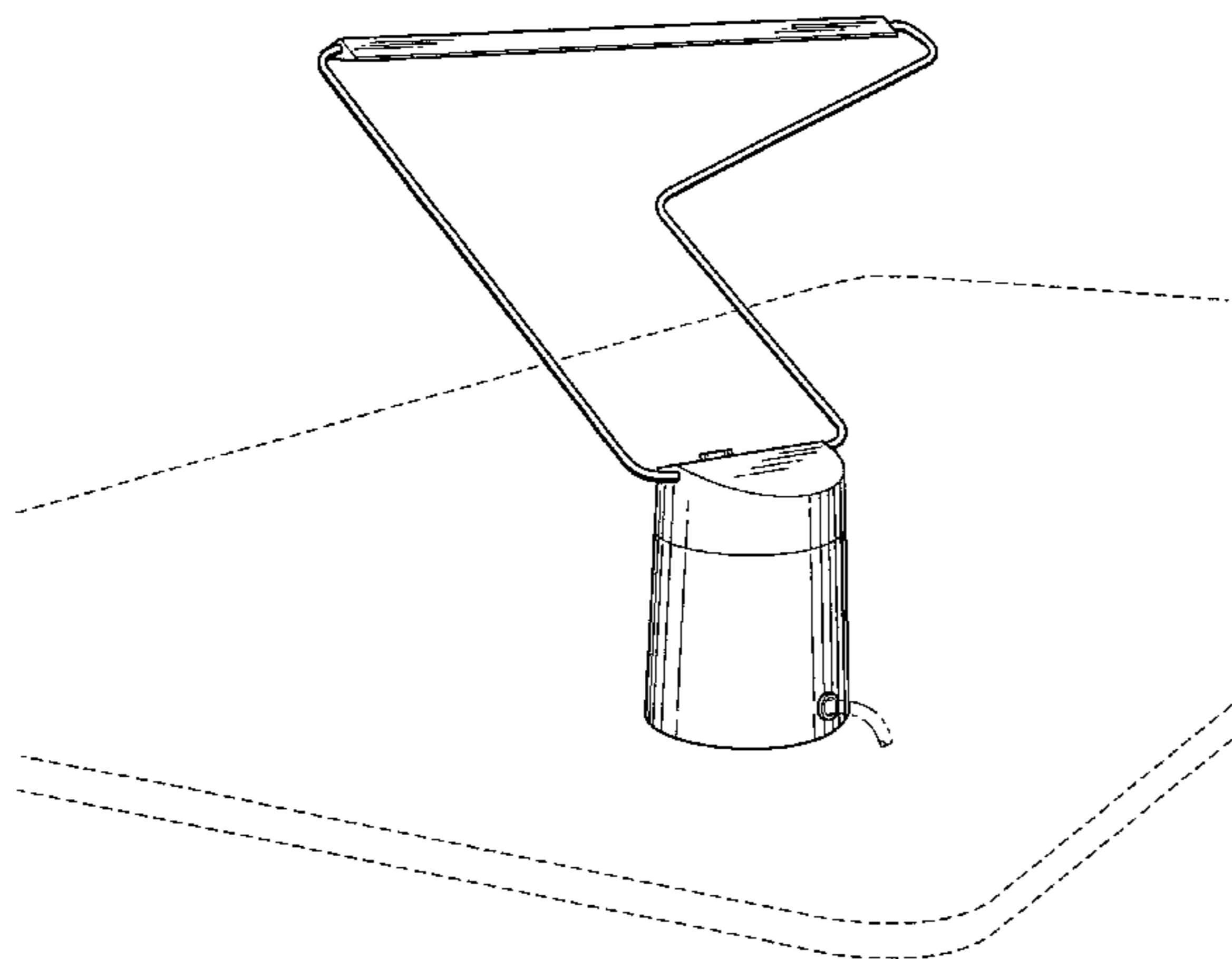
FIG. 8 is another perspective view thereof; and,

FIG. 9 is an enlarged view of a base of the lamp.

The broken lines are shown for illustrative purposes only and form no part of the claimed design.

In addition, the bottom of the lamp includes no ornamentality and therefore is not illustrated.

1 Claim, 9 Drawing Sheets



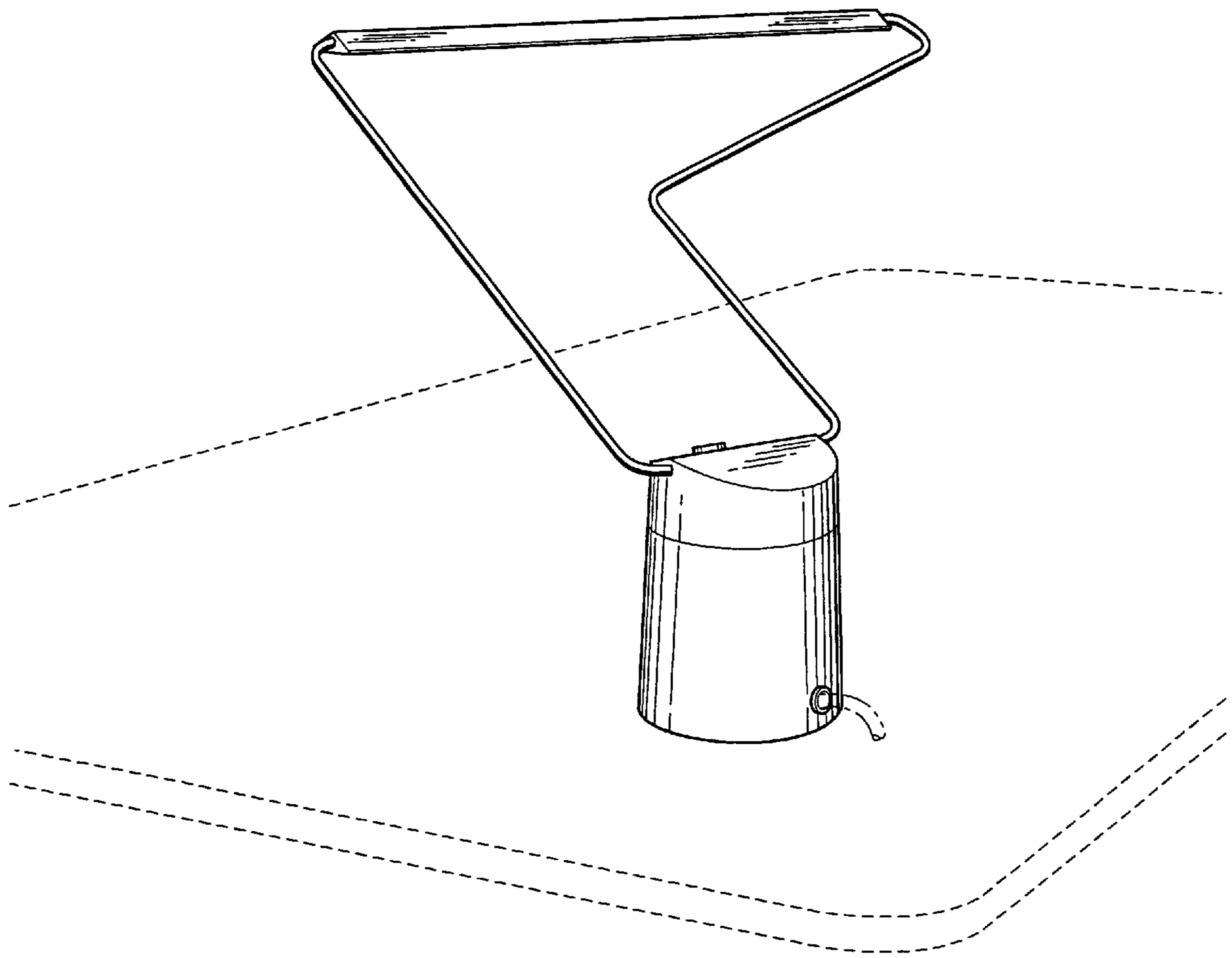


FIG. 1

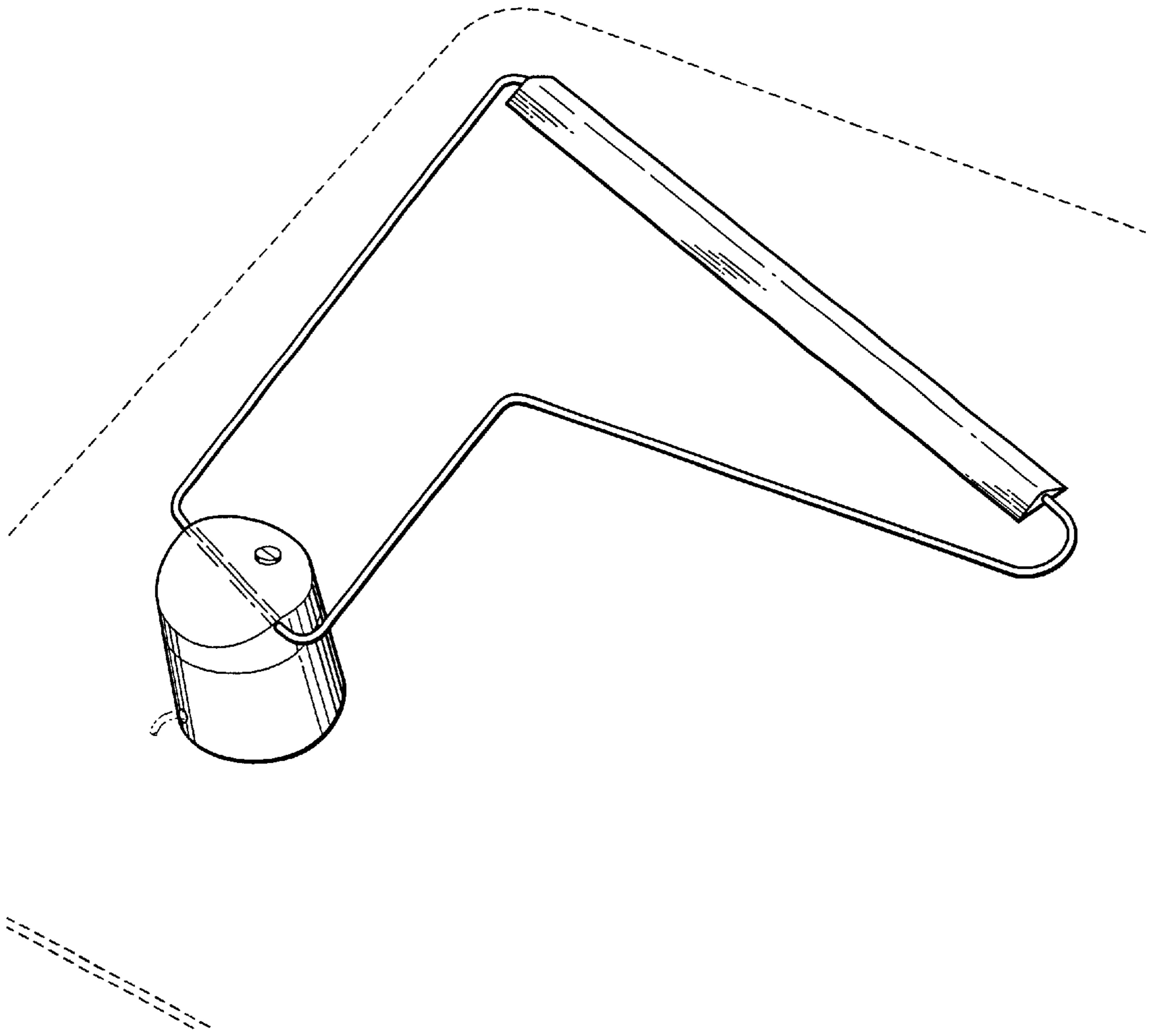


FIG. 2

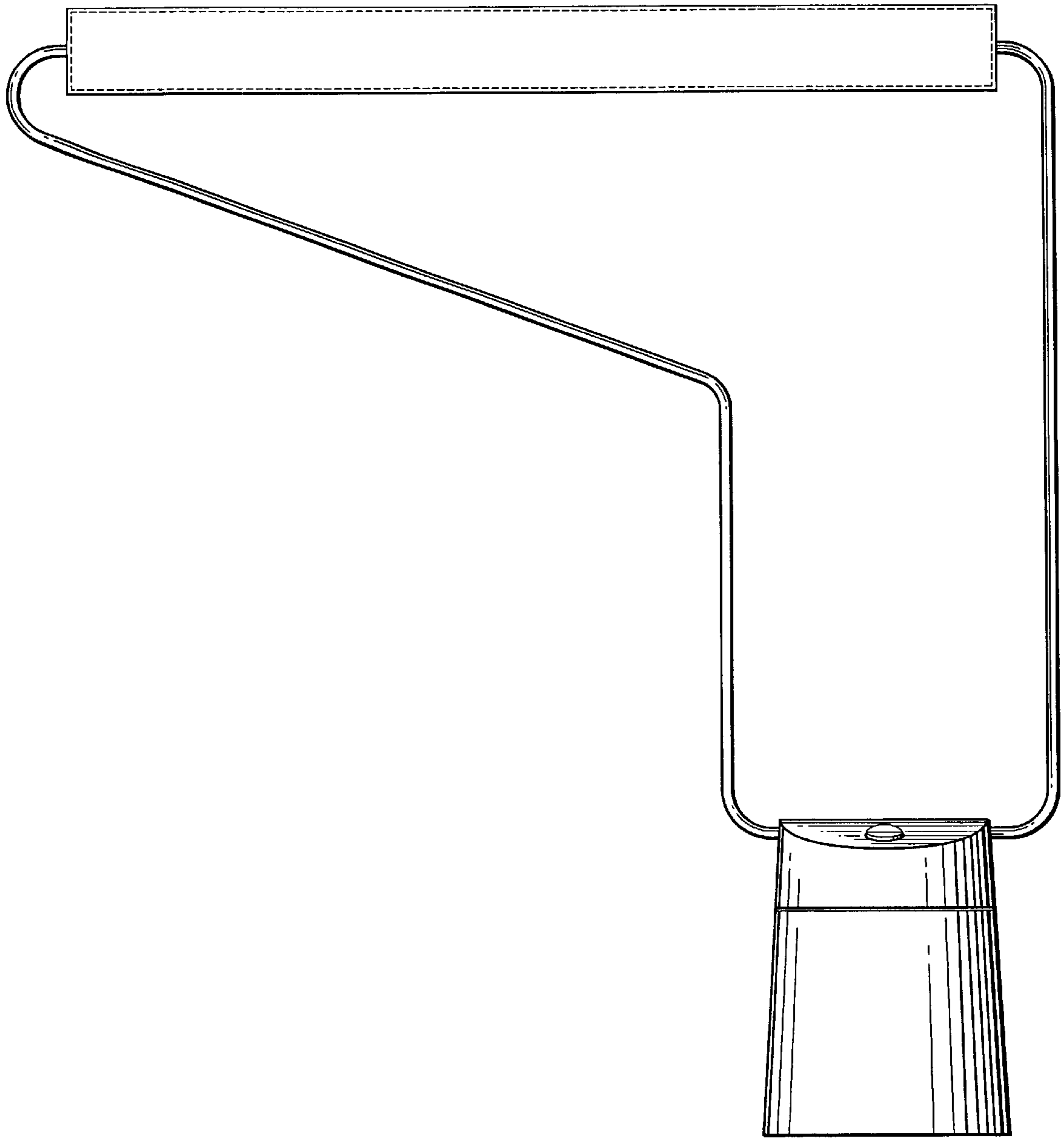


FIG. 3

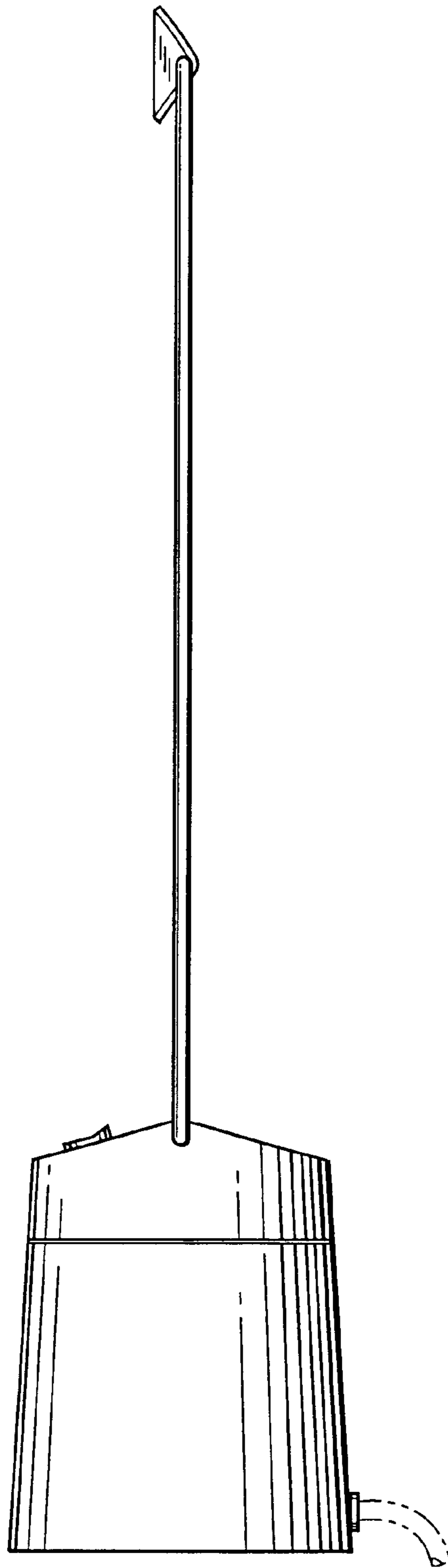


FIG. 4

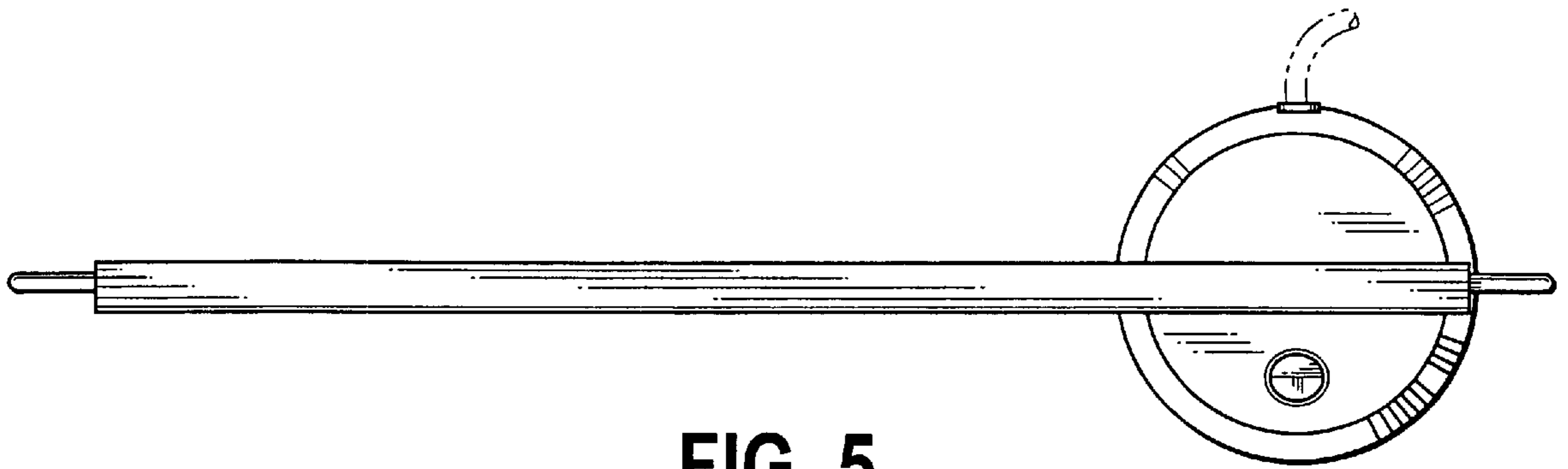


FIG. 5

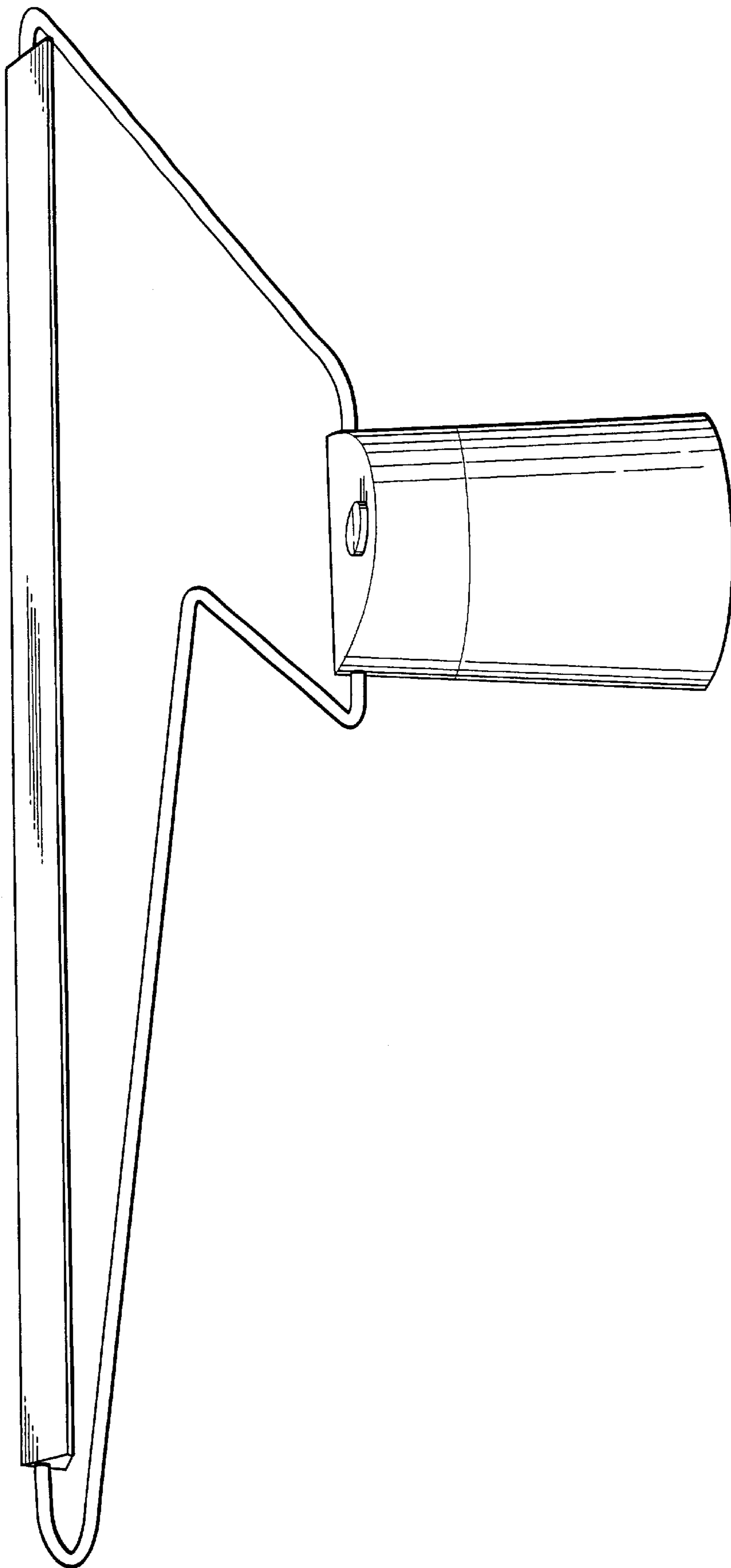


FIG. 6

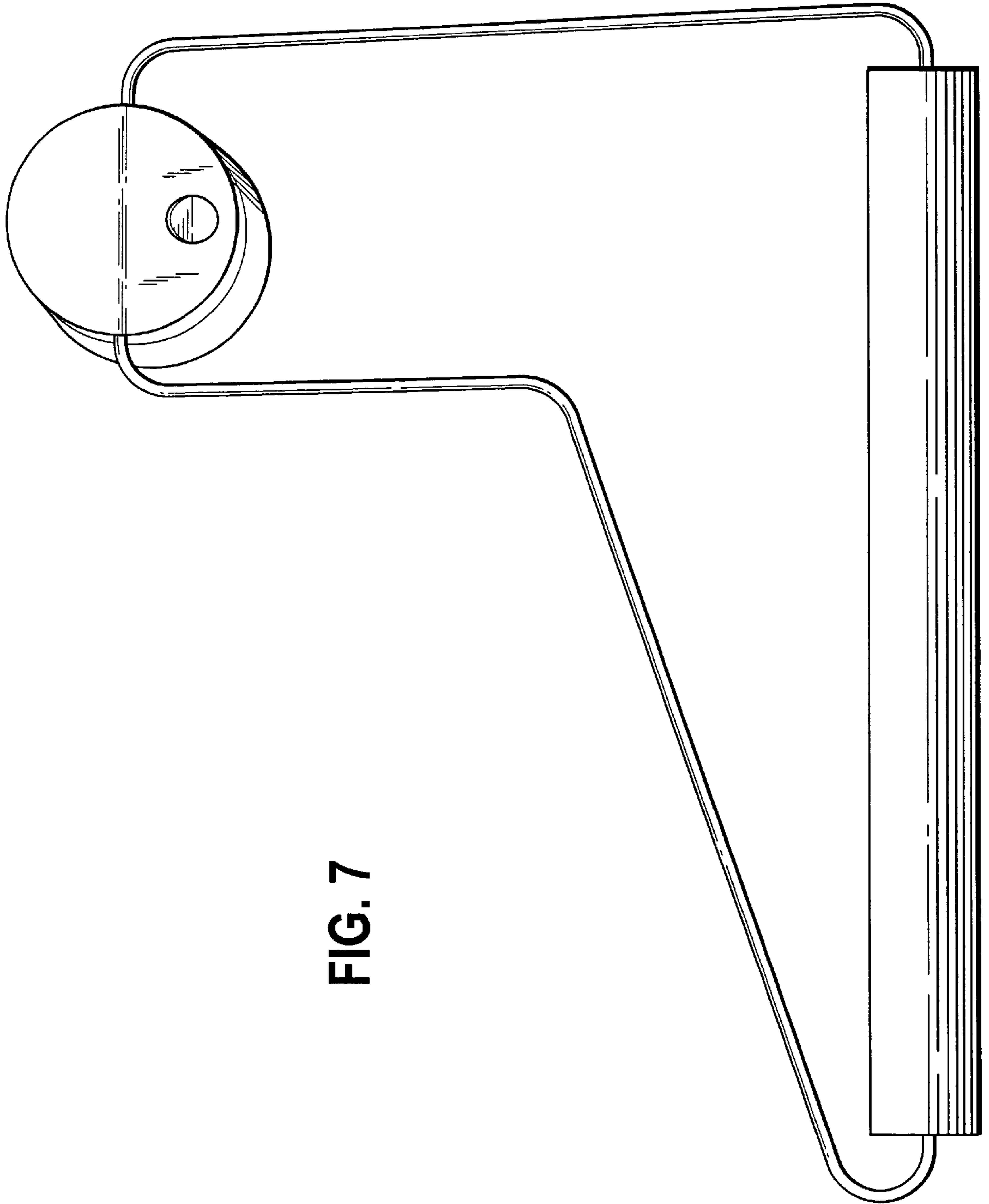


FIG. 7

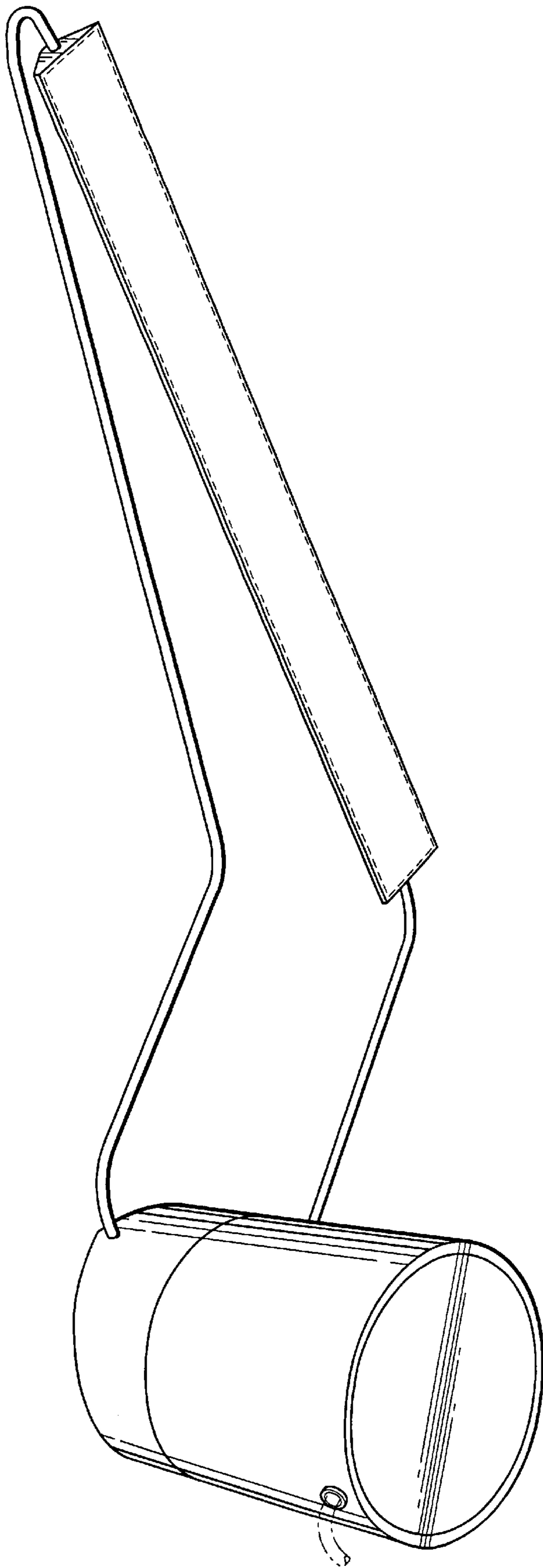


FIG. 8

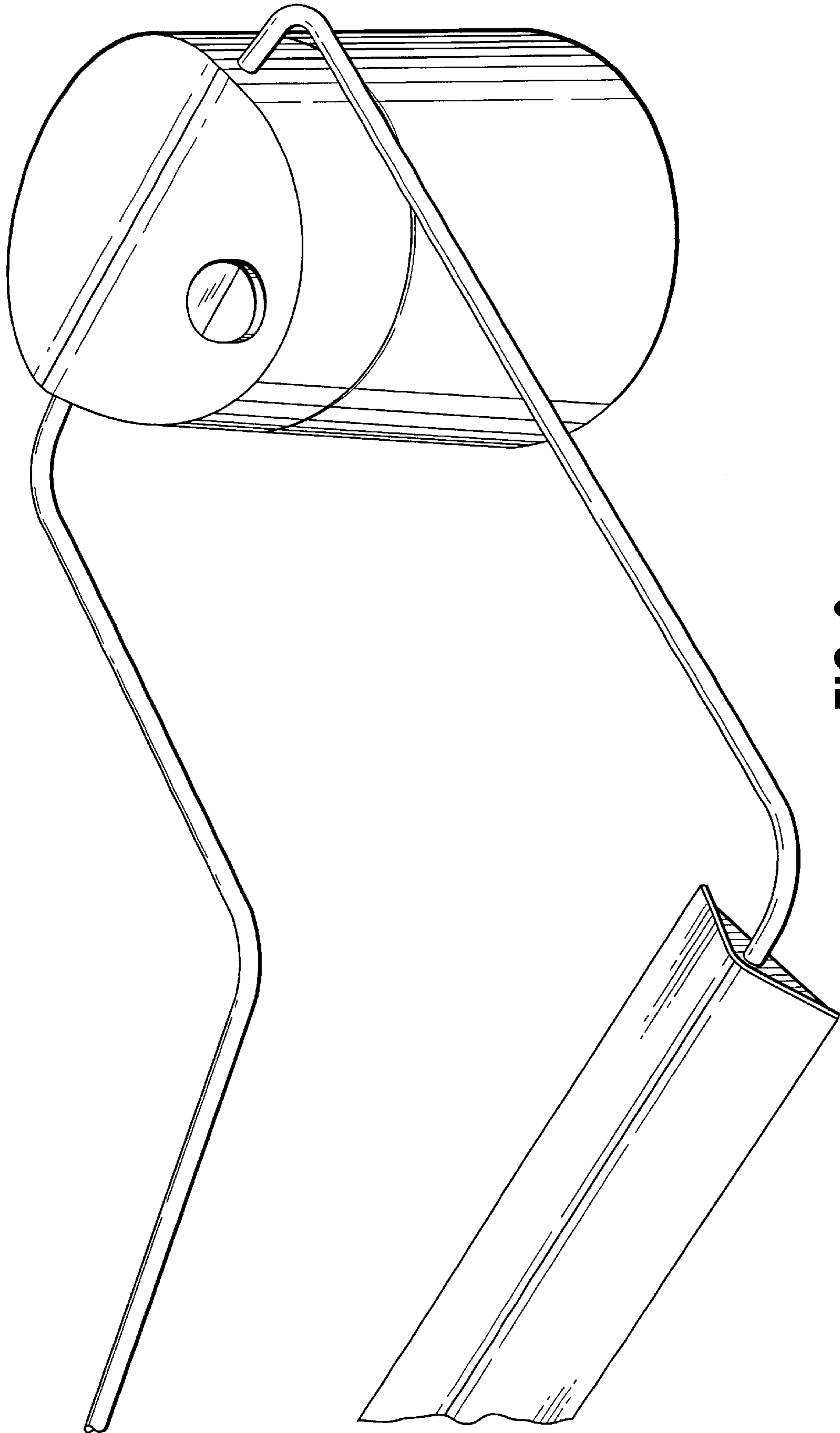


FIG. 9