



US00D450146B1

(12) **United States Design Patent**
Yuen

(10) **Patent No.:** **US D450,146 S**

(45) **Date of Patent:** **** Nov. 6, 2001**

(54) **DOUBLE VISION - SUPER HALOGEN LIGHT**

(76) **Inventor:** **Se Kit Yuen**, 6/F Yau Lee Centre, 45 Hoi Yuen Road, Kwun Tong, Kowloon (HK)

(**) **Term:** **14 Years**

(21) **Appl. No.:** **29/140,654**

(22) **Filed:** **Apr. 23, 2001**

(51) **LOC (7) Cl.** **26-02**

(52) **U.S. Cl.** **D26/45**

(58) **Field of Search** **D26/37-50; 362/157-183**

(56) **References Cited**

U.S. PATENT DOCUMENTS

D. 430,323 * 8/2000 Yuen D26/46

D. 432,690 * 10/2000 Yuen D26/41

* cited by examiner

Primary Examiner—Susan J. Lucas
(74) *Attorney, Agent, or Firm*—Raymond Y. Chan; David and Raymond Patent Group

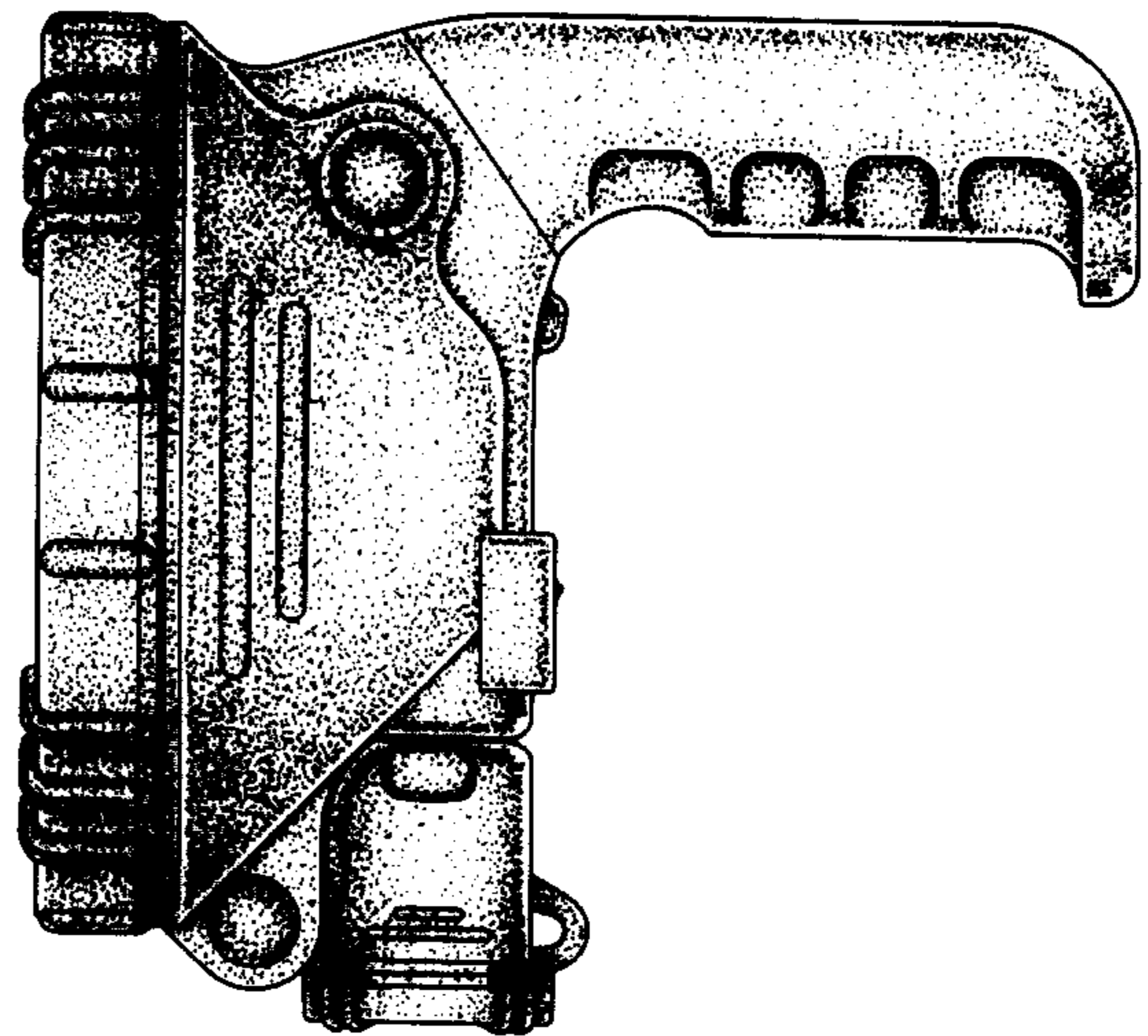
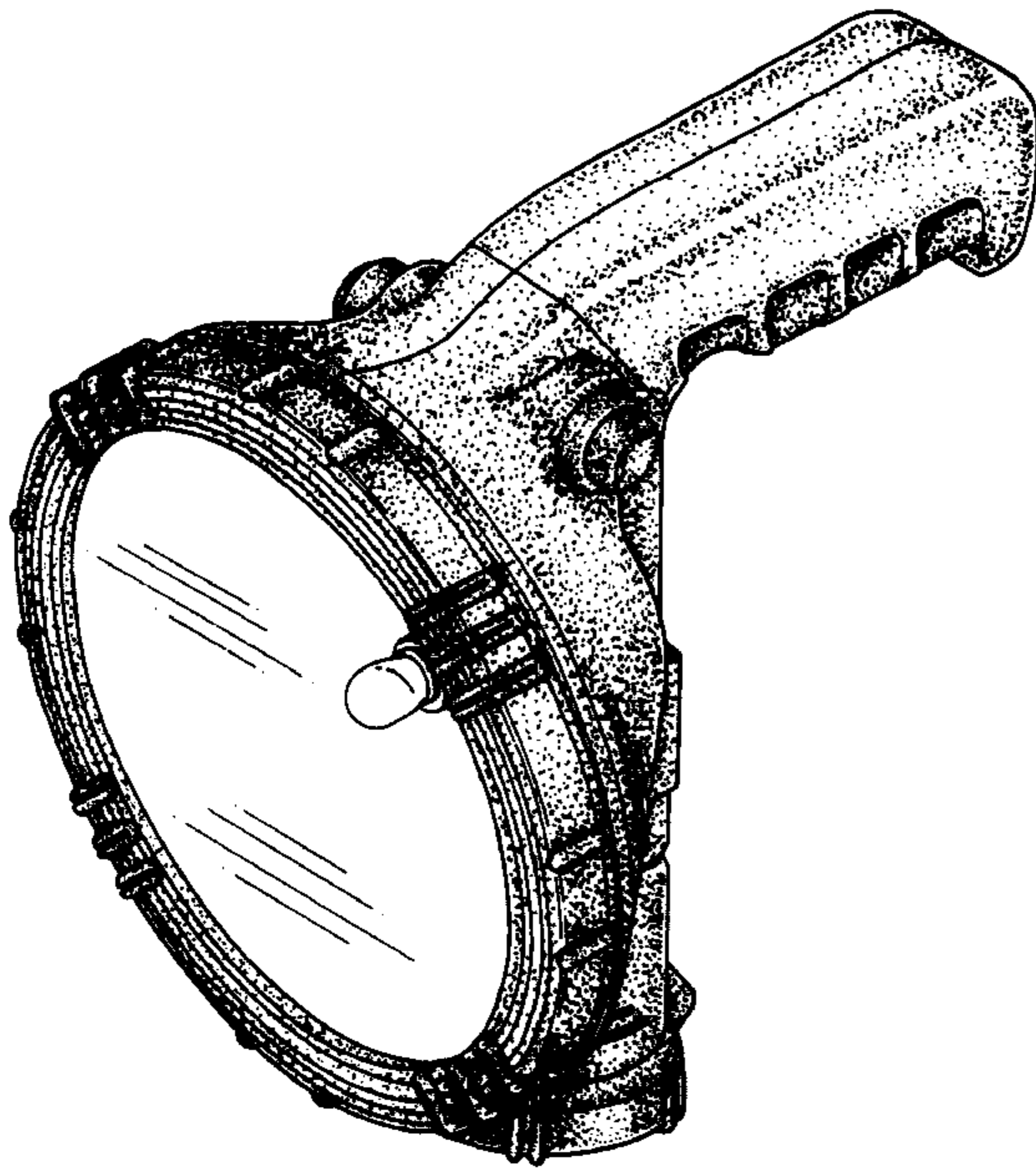
(57) **CLAIM**

The ornamental design for a double vision - super halogen light, as shown.

DESCRIPTION

FIG. 1 is a perspective view showing my new design.
FIG. 2 is a front view thereof.
FIG. 3 is a rear view thereof.
FIG. 4 is a right end view thereof.
FIG. 5 is a left end view thereof.
FIG. 6 is a top view thereof.
FIG. 7 is a bottom view thereof; and,
FIG. 8 is a perspective view showing an assistant spotlight underneath a primary spotlight.

1 Claim, 8 Drawing Sheets



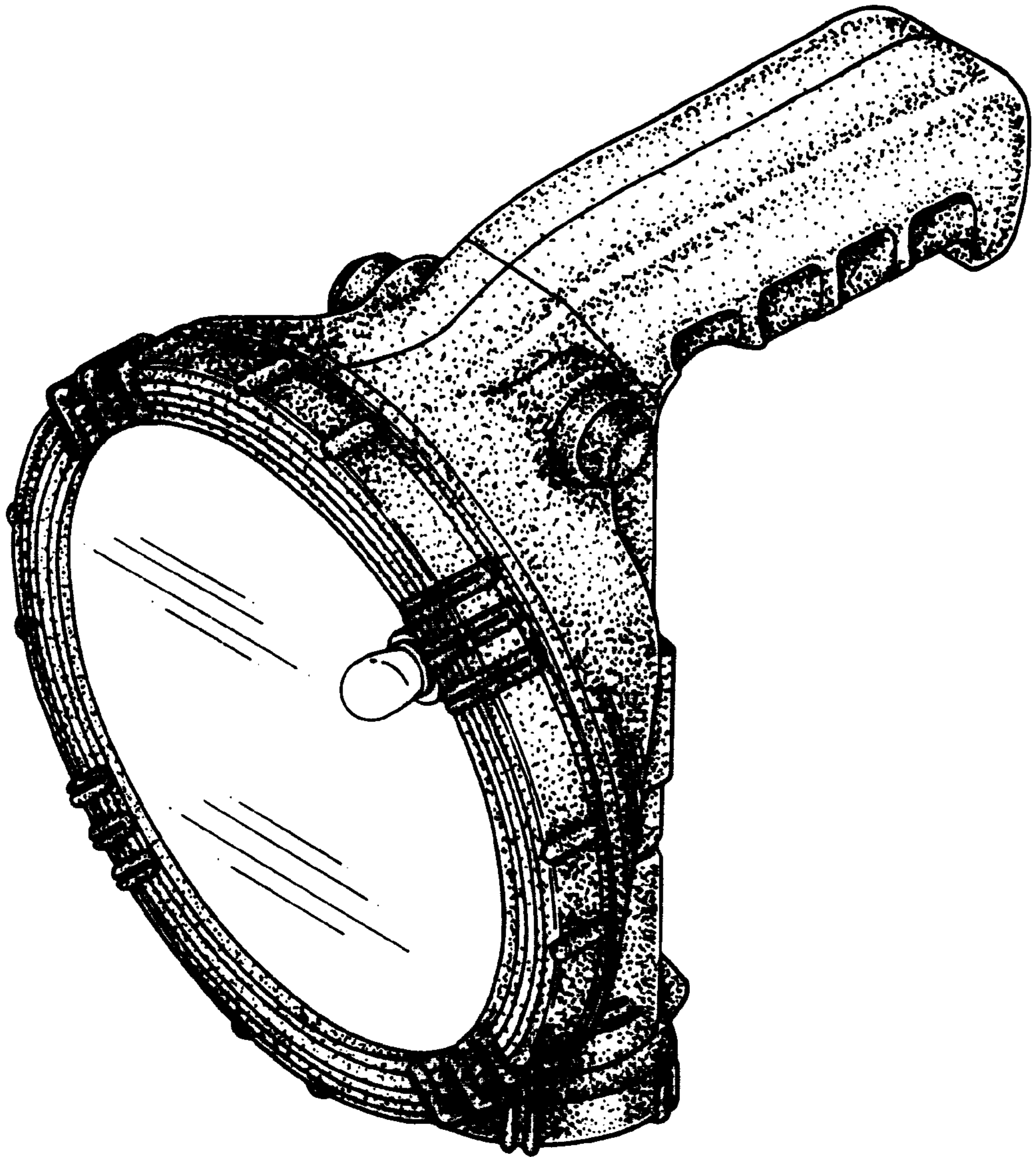


FIG.1

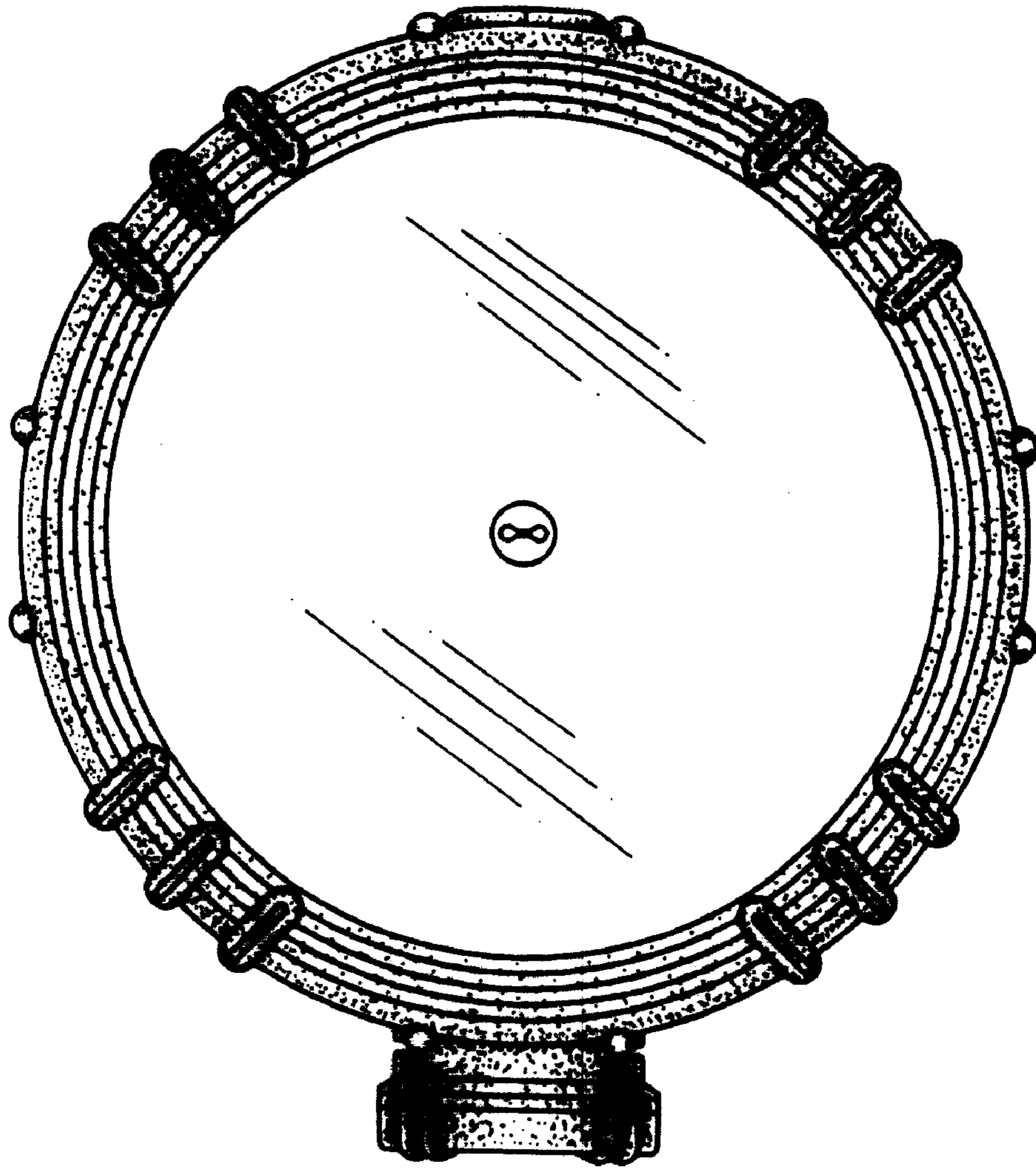


FIG.2

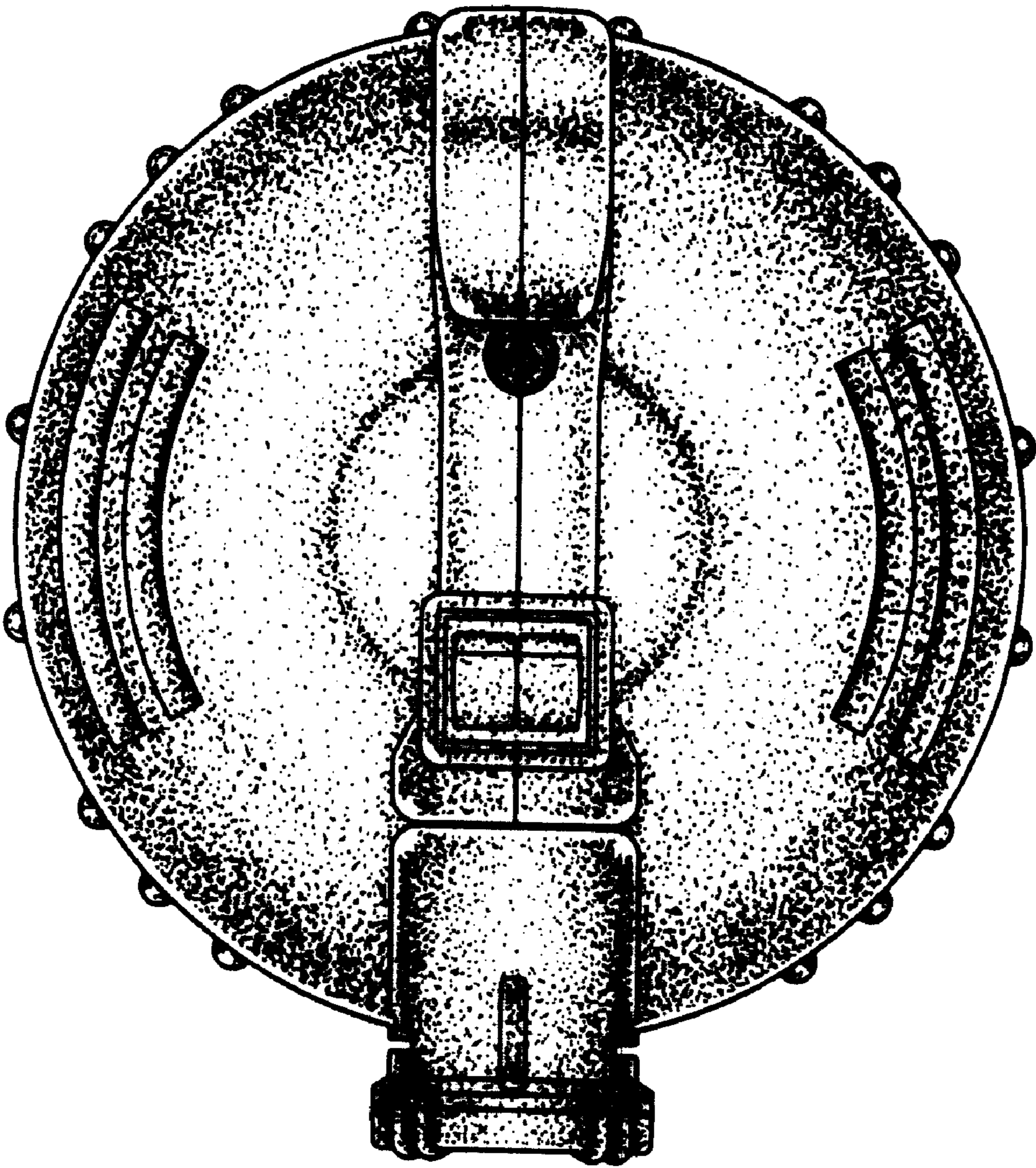


FIG.3

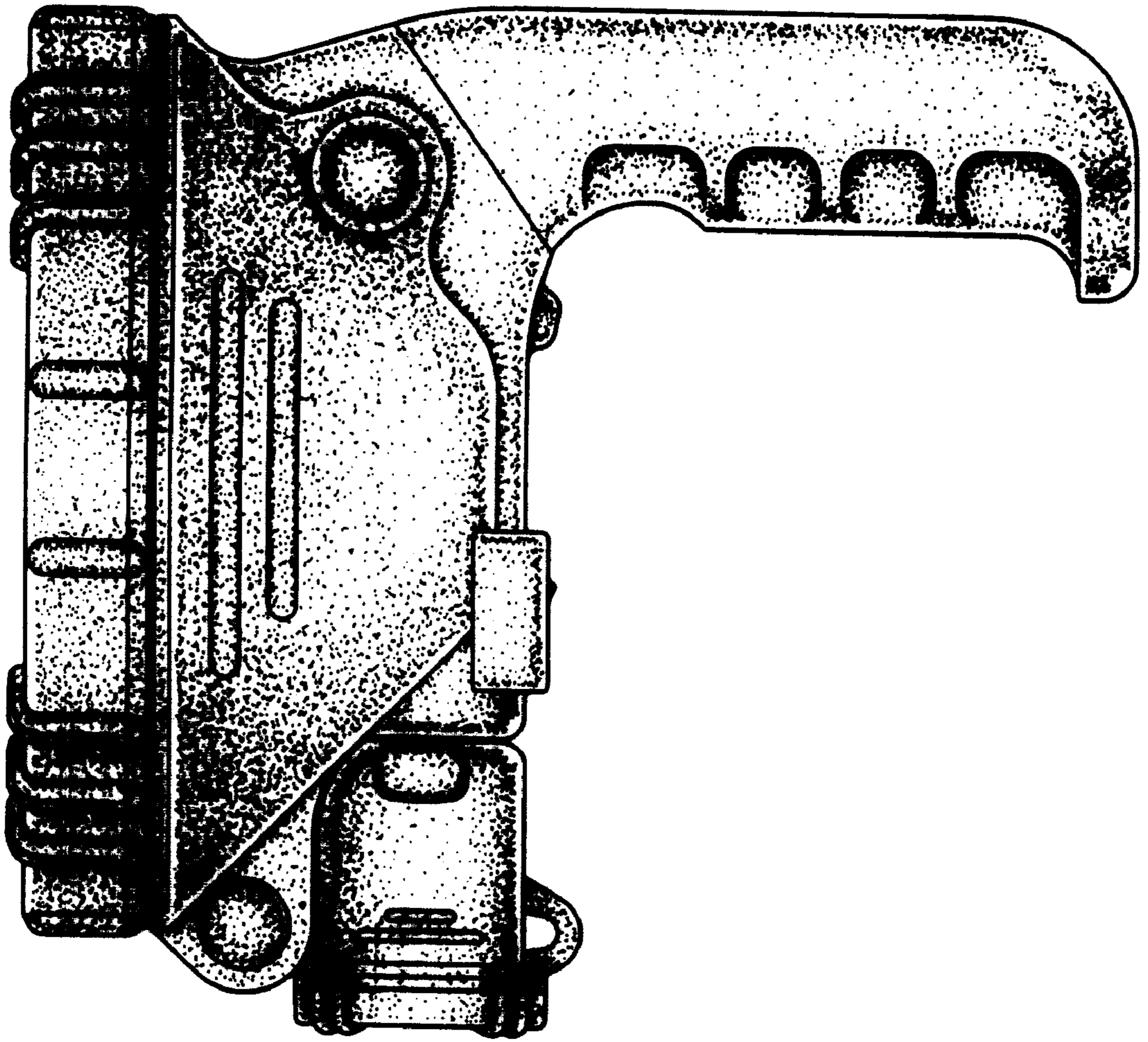


FIG.4

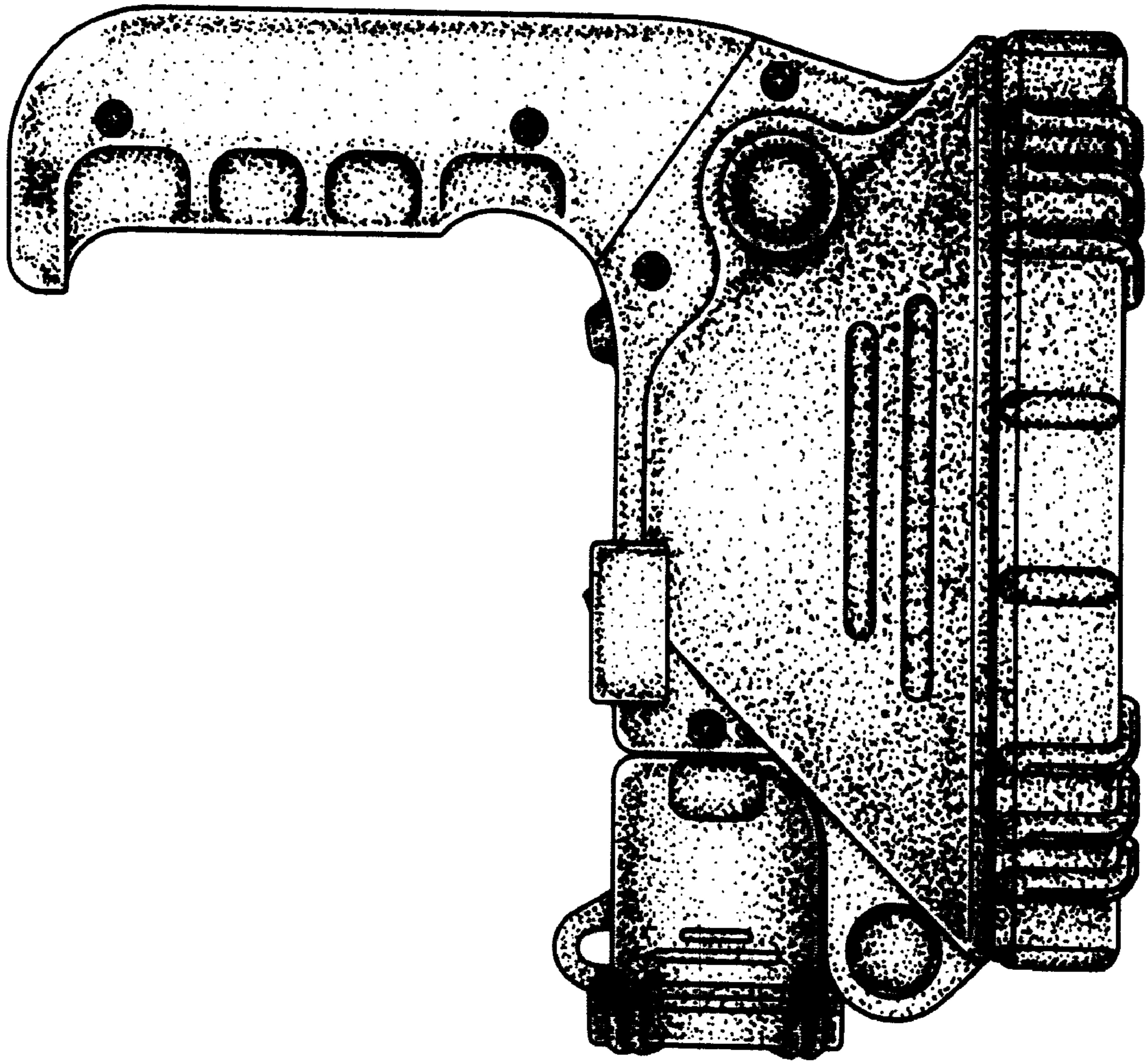


FIG.5

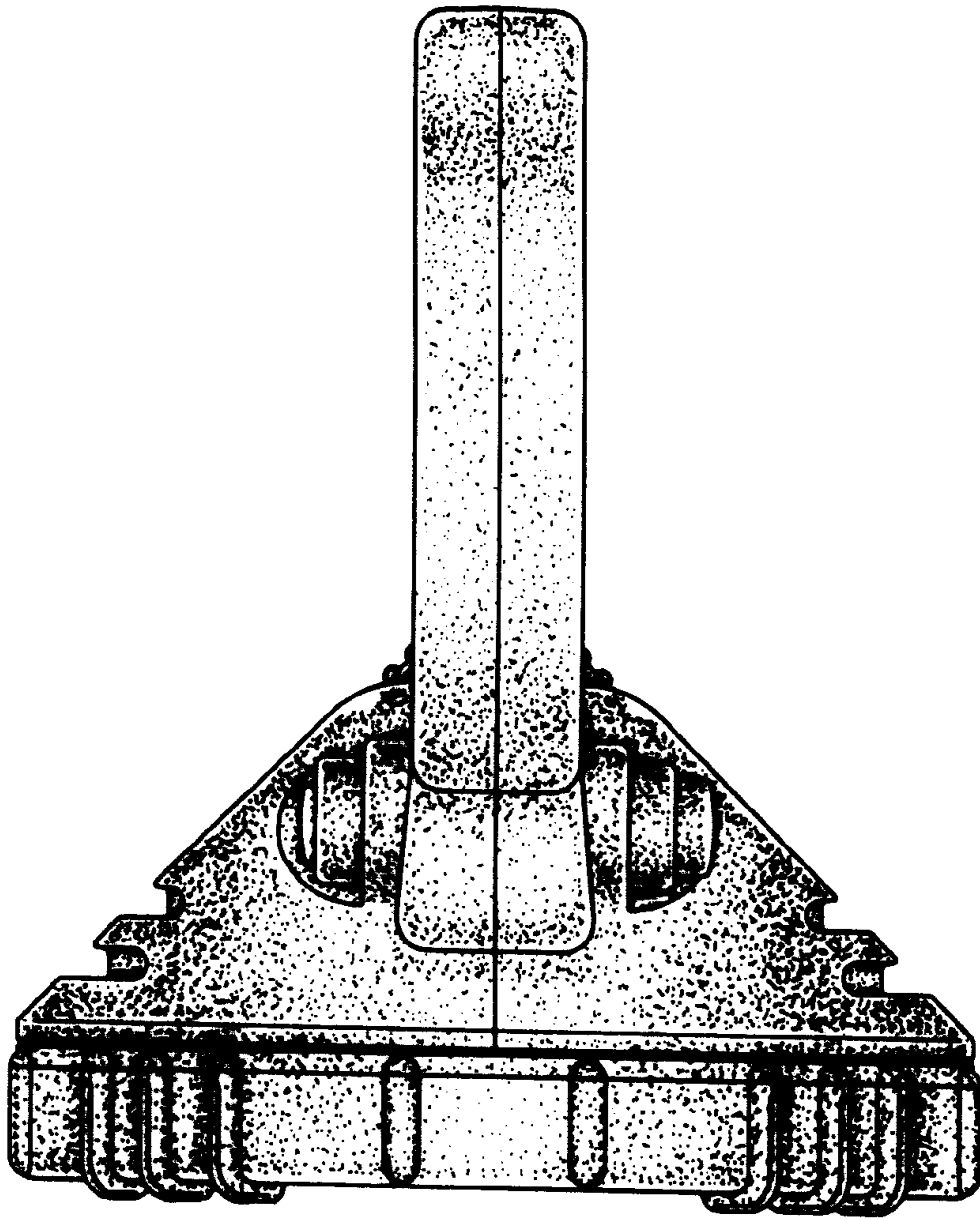


FIG.6

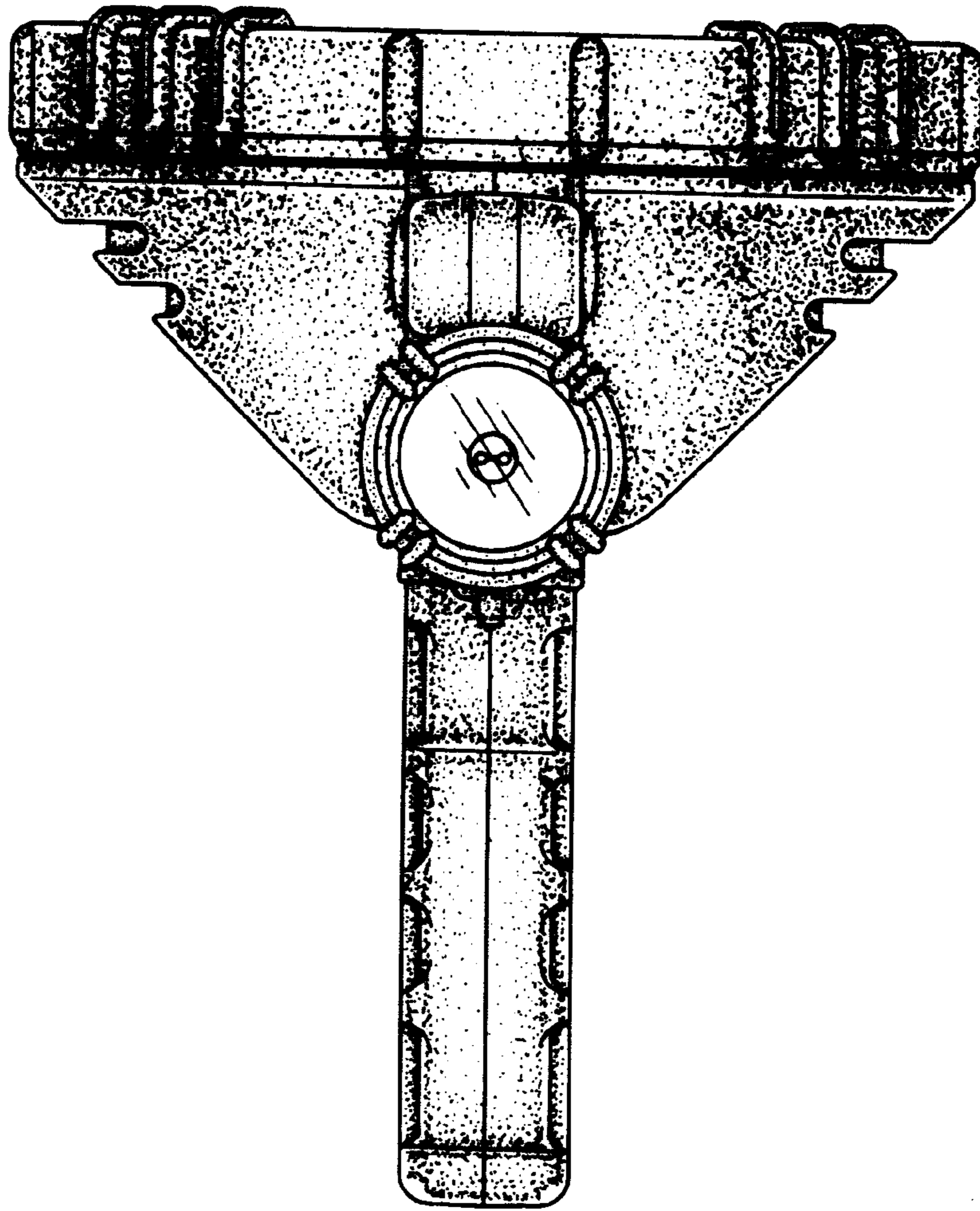


FIG. 7

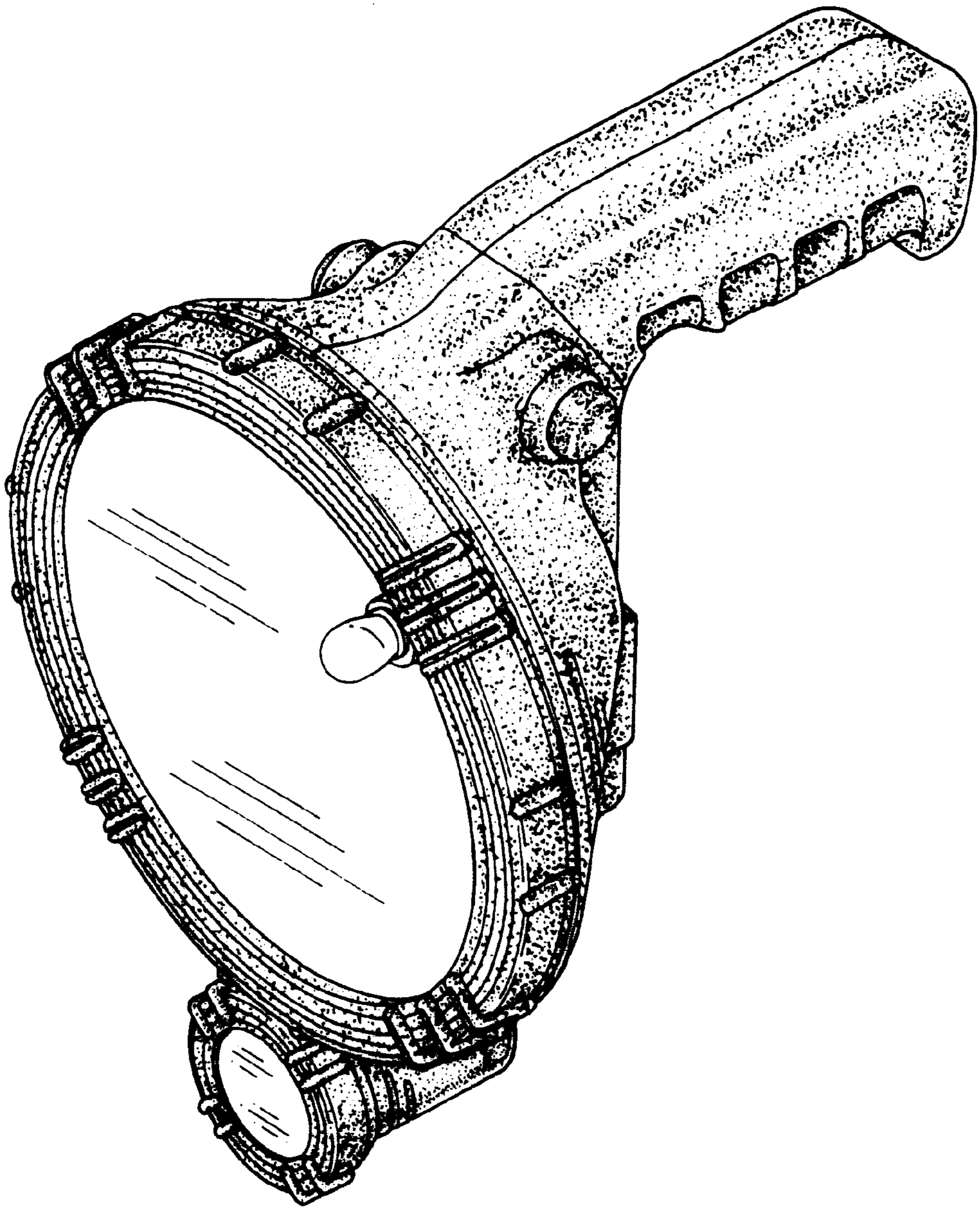


FIG.8