



US00D450145B1

(12) **United States Design Patent**
Krieger et al.

(10) **Patent No.:** **US D450,145 S**

(45) **Date of Patent:** **** Nov. 6, 2001**

(54) **TWIN BEAM SPOTLIGHT**

(75) Inventors: **Michael Krieger**, Miami; **Kevin Ellsworth**, Hollywood, both of FL (US)

(73) Assignee: **Vector Products, Inc.**, Ft. Lauderdale, FL (US)

(**) Term: **14 Years**

(21) Appl. No.: **29/136,854**

(22) Filed: **Jan. 11, 2001**

(51) **LOC (7) Cl.** **26-02**

(52) **U.S. Cl.** **D26/45**

(58) **Field of Search** D26/37-50; 362/157, 362/158, 171, 173, 183-208

(56) **References Cited**

U.S. PATENT DOCUMENTS

- D. 356,875 * 3/1995 Zelina, Jr. D26/45
- D. 441,474 * 5/2001 Poon D26/45

* cited by examiner

Primary Examiner—Marcus A. Jackson
(74) *Attorney, Agent, or Firm*—Venable; Robert Kinberg

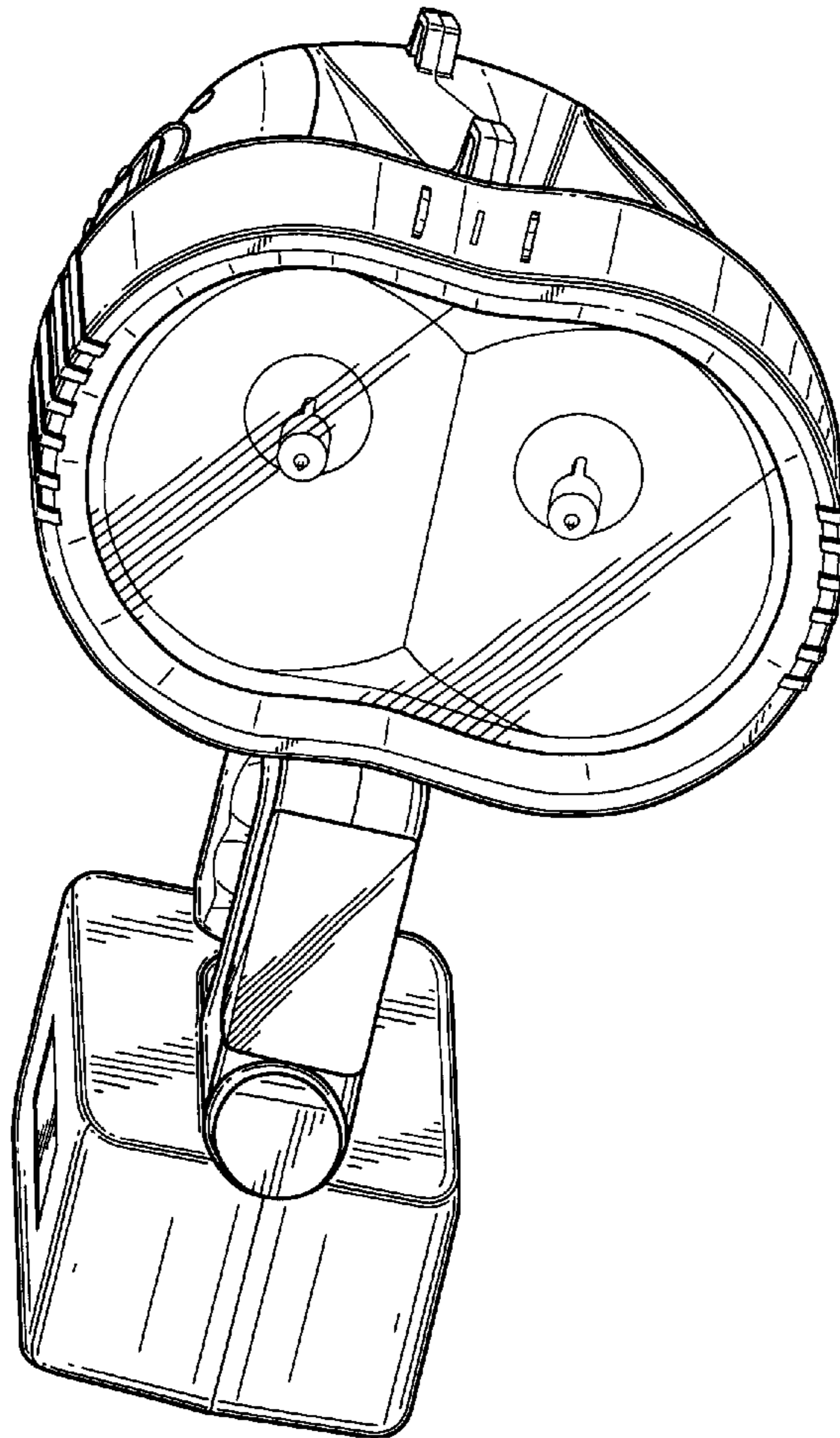
(57) **CLAIM**

The ornamental design for a twin beam spotlight, as shown and described.

DESCRIPTION

FIG. 1 is a photograph showing a top-front perspective view of the twin beam spotlight showing our new design;
 FIG. 2 is a photograph showing a top-rear-right perspective view of the design shown in FIG. 1;
 FIG. 3 is a photograph showing a front-right perspective view of the design shown in FIG. 1;
 FIG. 4 is a photograph showing a front-left-bottom perspective view of the design shown in FIG. 1;
 FIG. 5 is a photograph showing a top-front-right perspective view of the design shown in FIG. 1; and,
 FIG. 6 is photograph showing a top-rear-right perspective view of the design shown in FIG. 1.

1 Claim, 6 Drawing Sheets



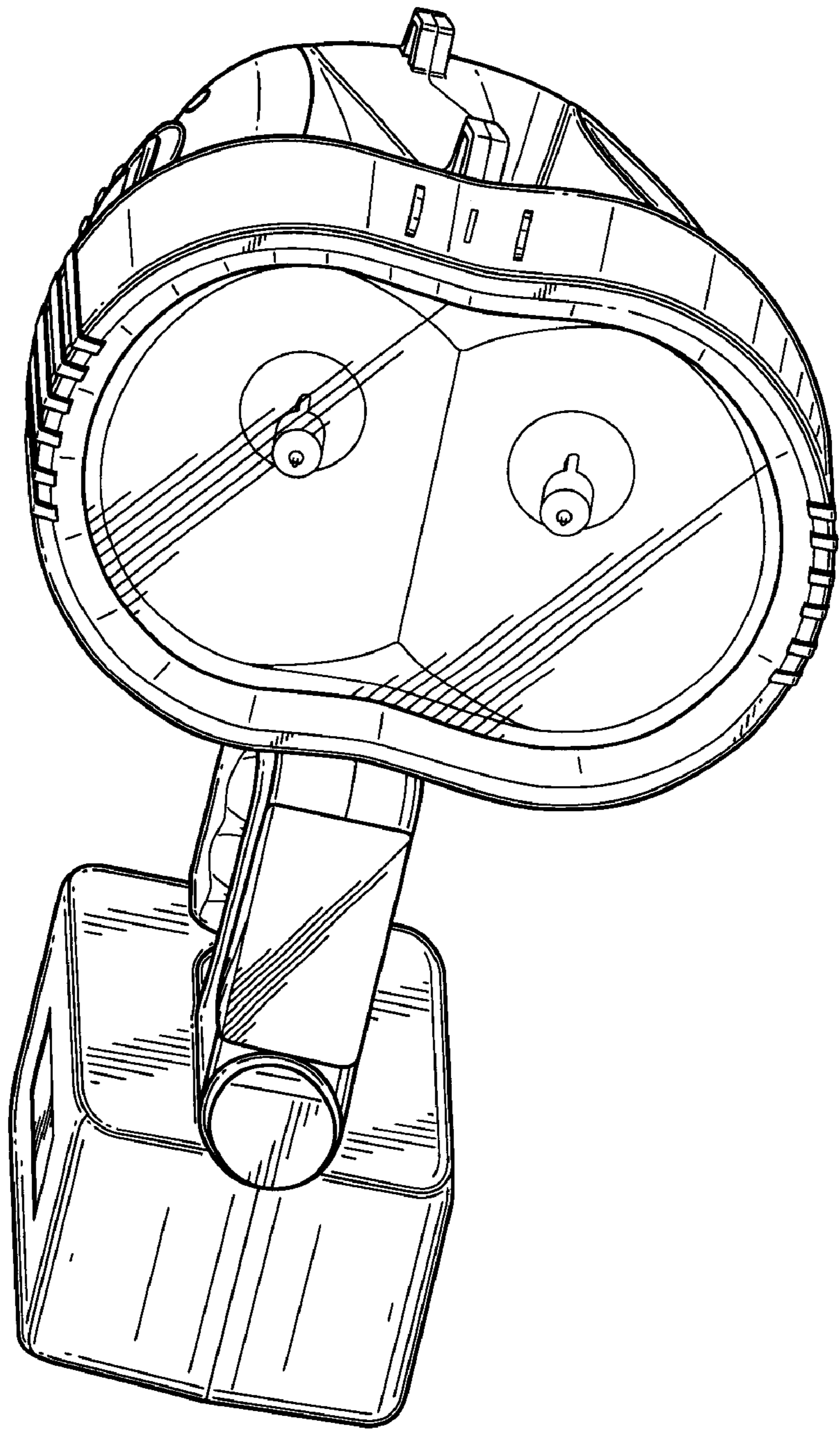


FIG. 1

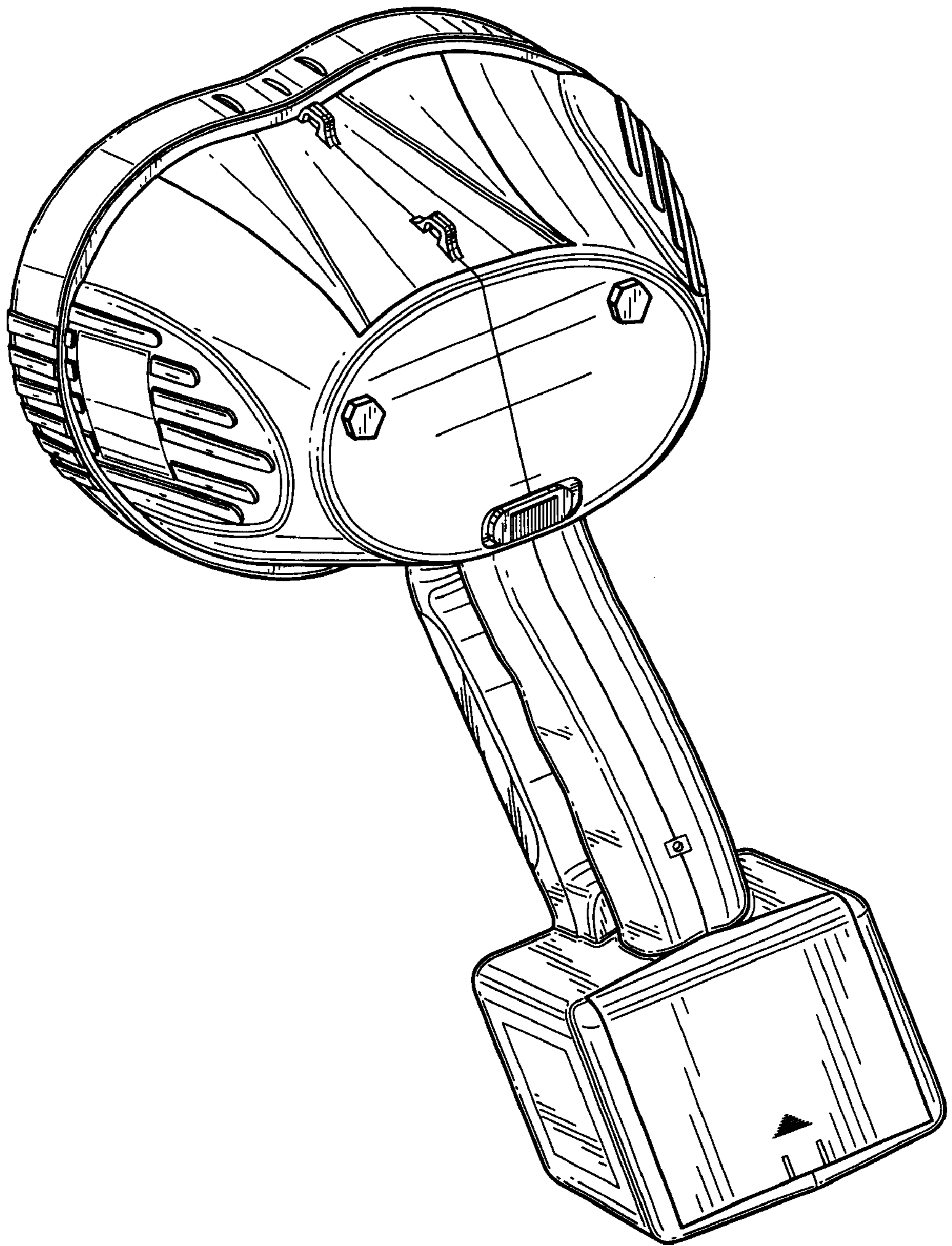


FIG. 2

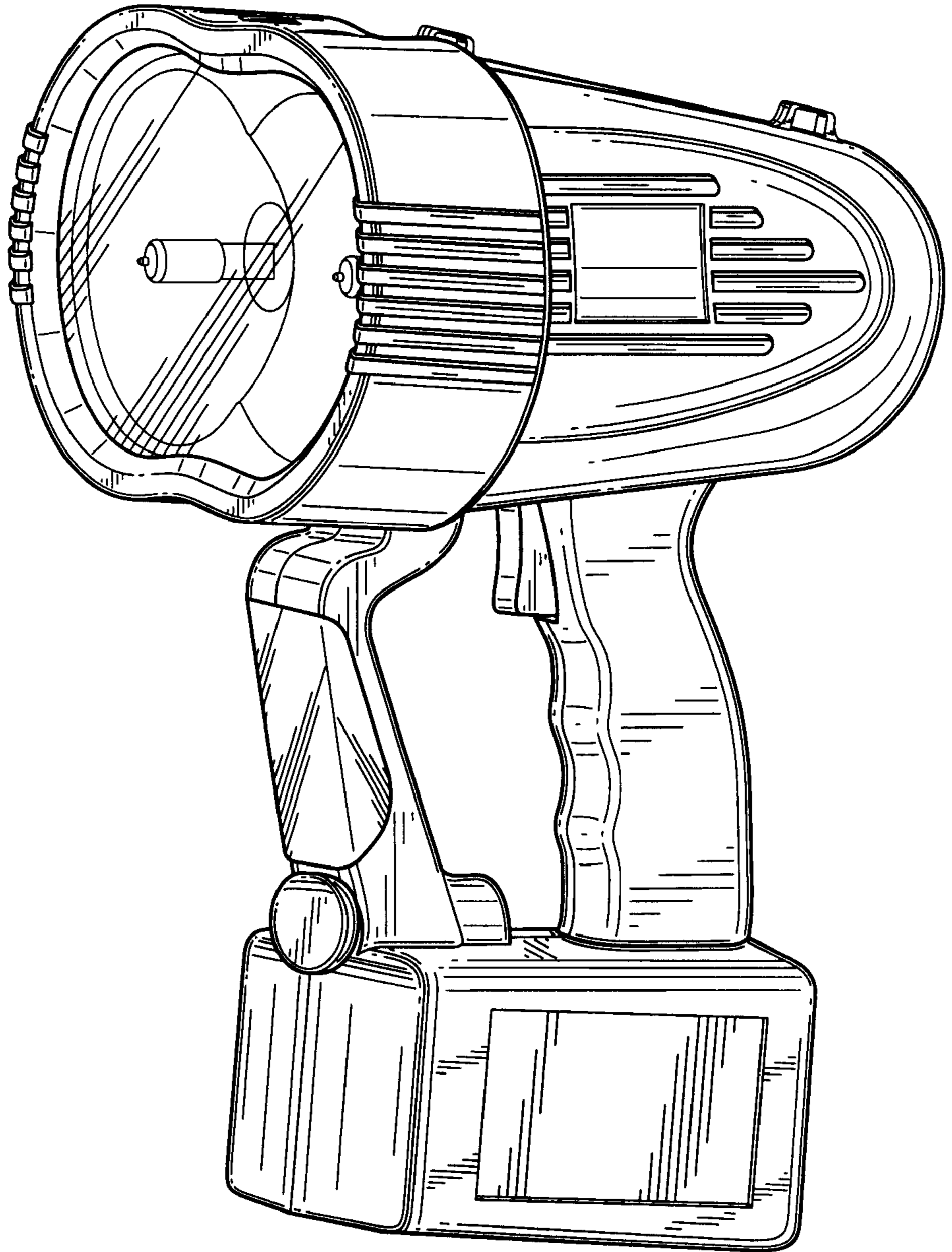


FIG. 3

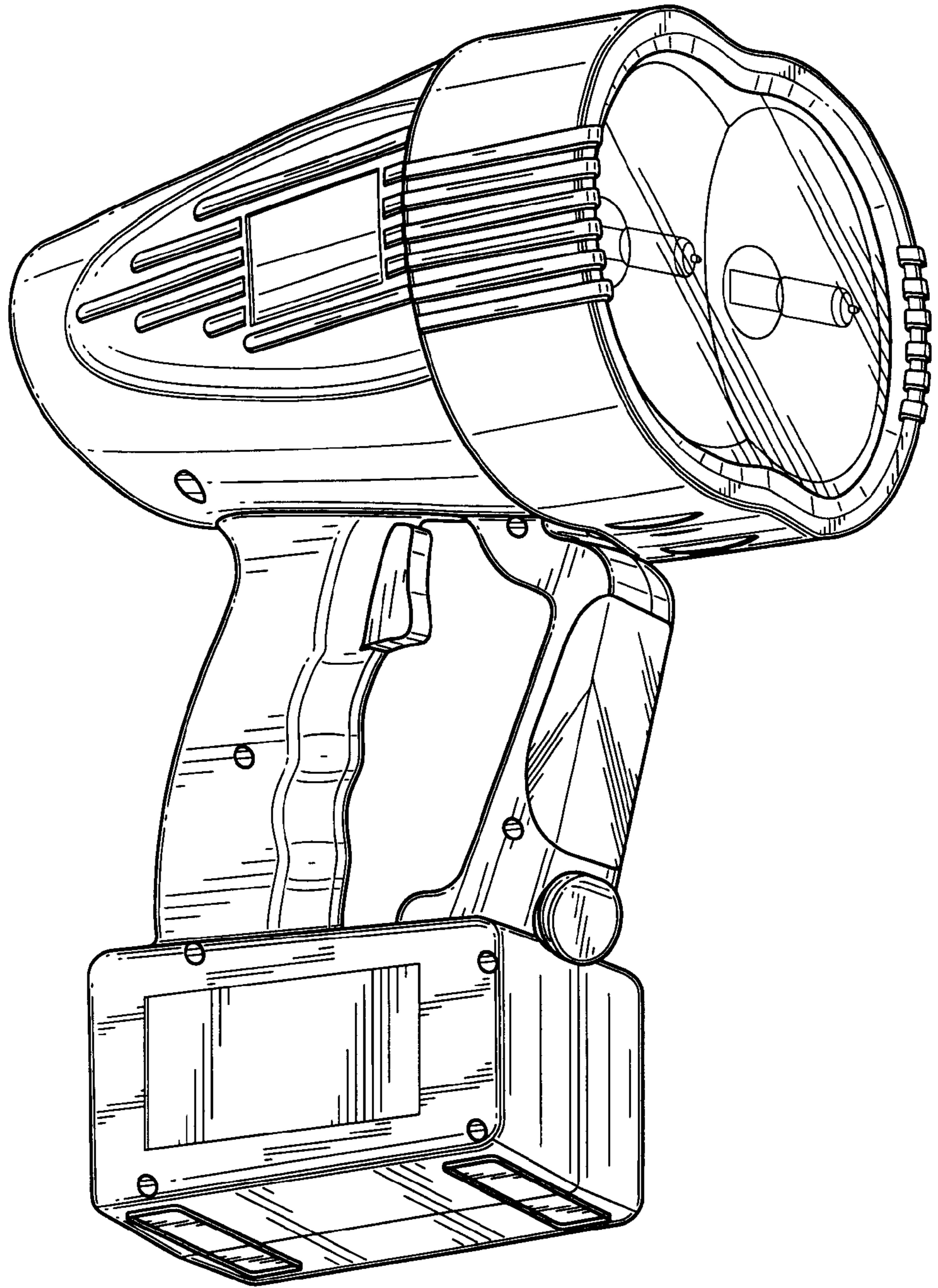


FIG. 4

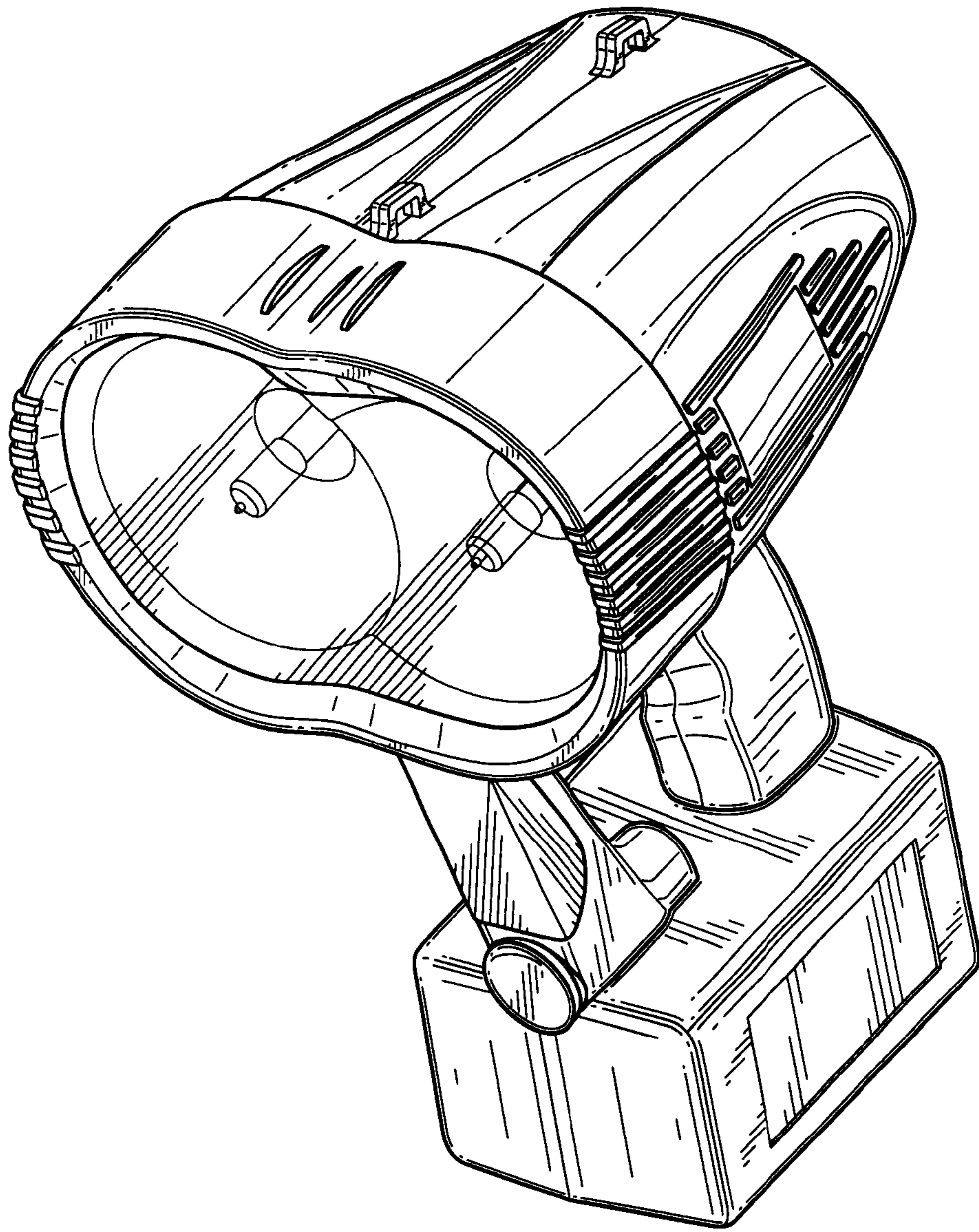


FIG. 5

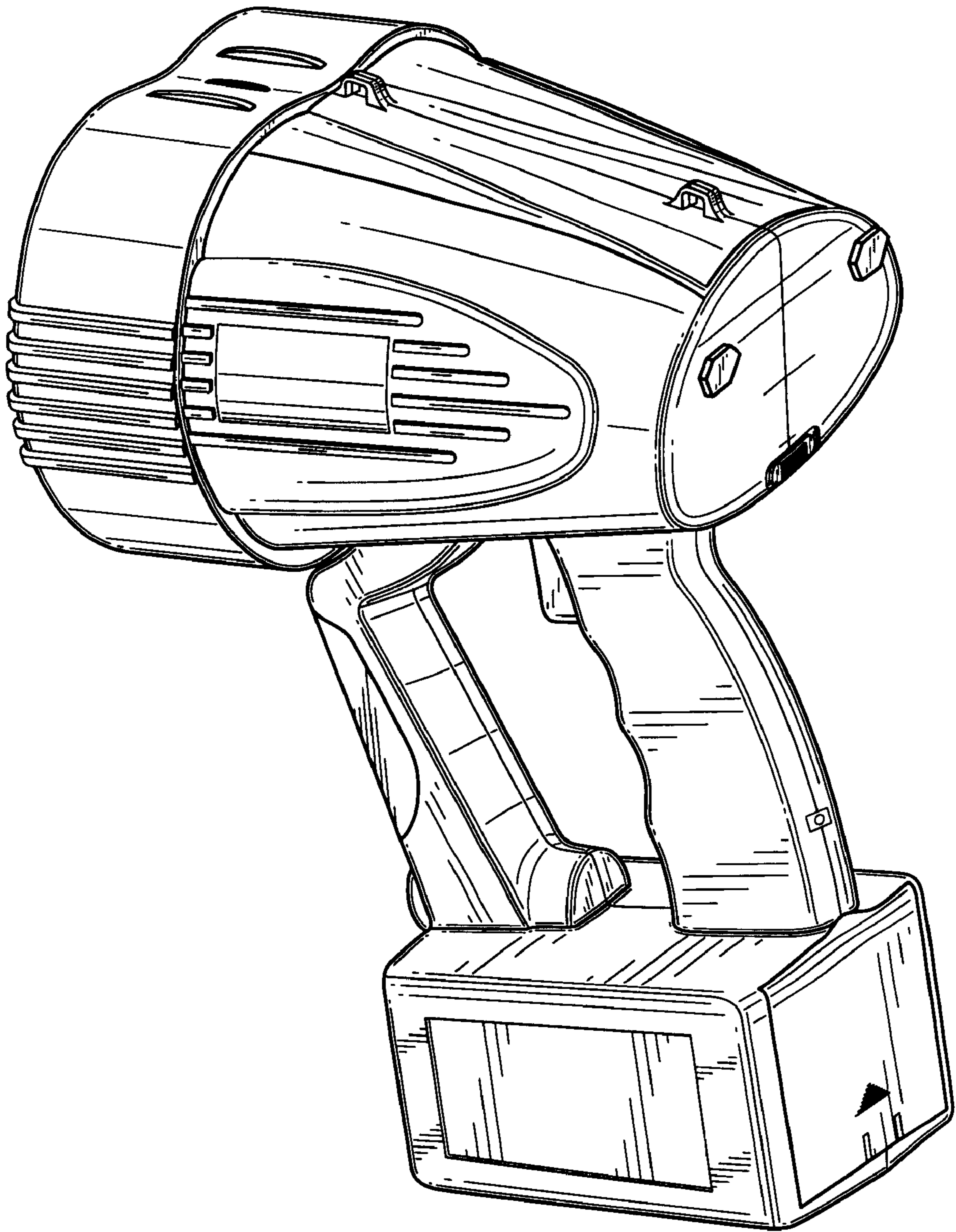


FIG. 6