



US00D450142B1

(12) **United States Design Patent**
Horowitz

(10) **Patent No.:** **US D450,142 S**

(45) **Date of Patent:** **** Nov. 6, 2001**

(54) **REPLACEMENT TAIL LENS ASSEMBLY FOR AUTOMOBILE**

(76) Inventor: **Brian A. Horowitz**, 252 Granite St.,
Corona, CA (US) 92879

(**) Term: **14 Years**

(21) Appl. No.: **29/130,064**

(22) Filed: **Sep. 26, 2000**

(51) **LOC (7) Cl.** **26-04**

(52) **U.S. Cl.** **D26/28**

(58) **Field of Search** D26/28-36, 120,
D26/122; 362/61, 80, 81, 82, 83, 83.4,
267, 269, 275

(56) **References Cited**

U.S. PATENT DOCUMENTS

- D. 409,772 * 5/1999 Bangle D26/28
- D. 412,587 * 8/1999 Bangle D26/28
- D. 416,638 * 11/1999 Horburg et al. D26/28

OTHER PUBLICATIONS

Advertisement—Stillen Sports Cars from *Sport Compact Car*, vol. 13, Nov. 3, Mar., 2001. pp. 58-59. prior to Sep. 26, 2000.

Three (3) photographs depicting rear view of Honda Accord automobile prior to Sep. 26, 2000.

* cited by examiner

Primary Examiner—Marcus A. Jackson

(74) *Attorney, Agent, or Firm*—Knobbe, Martens, Olson & Bear, LLP

(57) **CLAIM**

The ornamental design for a replacement tail lens assembly for automobile, as shown and described.

DESCRIPTION

FIG. 1 is a right side perspective view of the replacement tail lens assembly of the present design;

FIG. 2 is a right side perspective view of the replacement tail lens assembly of the present design showing the cover of the tail lens assembly removed;

FIG. 3 is a front view of the replacement tail lens assembly of the present design;

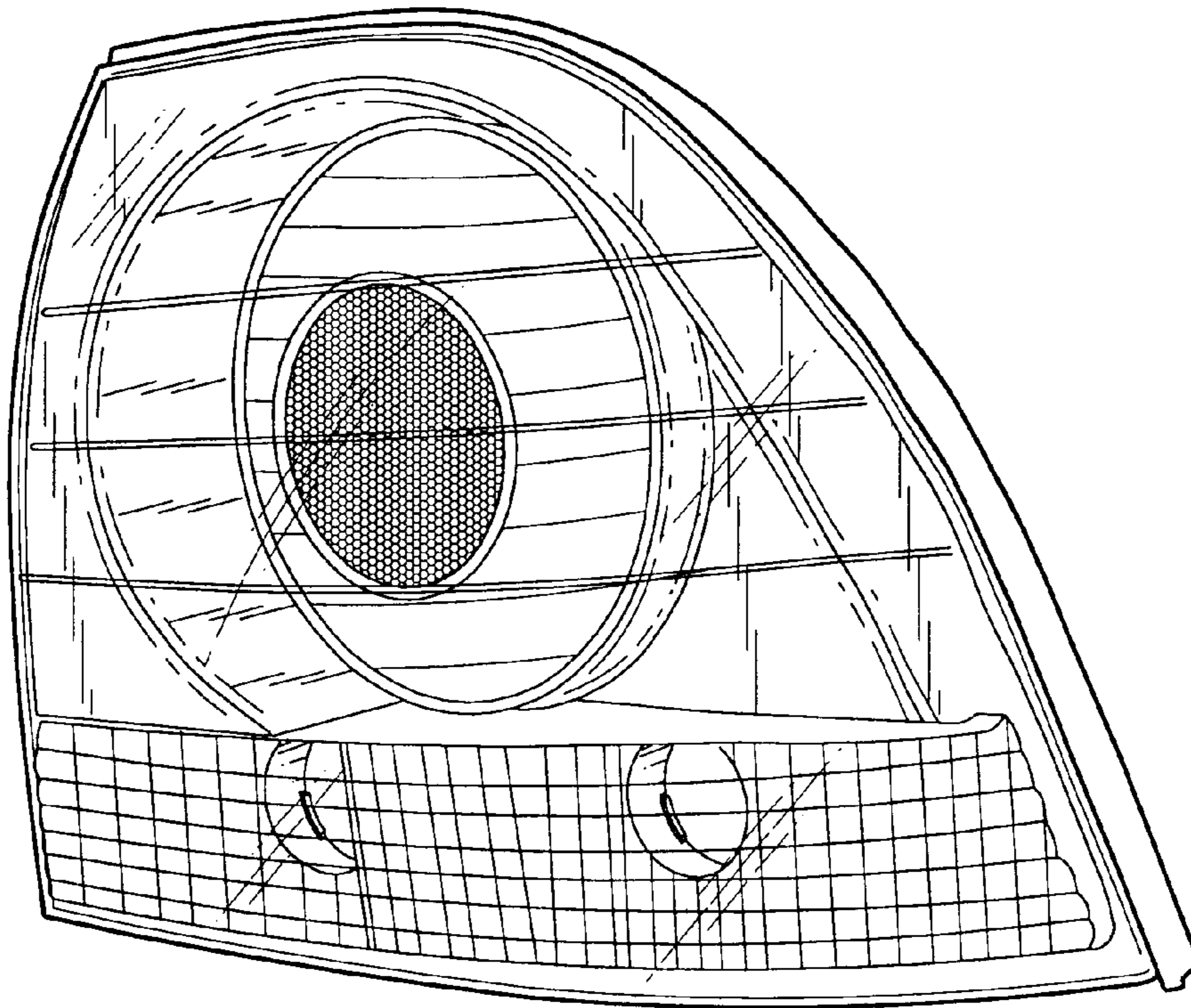
FIG. 4 is a right side view of the replacement tail lens assembly of the present design;

FIG. 5 is a top sectional view of the replacement tail lens assembly of the present design; and,

FIG. 6 is a left perspective view of the replacement tail lens assembly of the present design showing the lens assembly installed on an automobile.

The broken lines showing of the lens assembly in FIG. 5 and of the automobile in FIG. 6 are for illustrative purposes only and form no part of the claimed design.

1 Claim, 5 Drawing Sheets



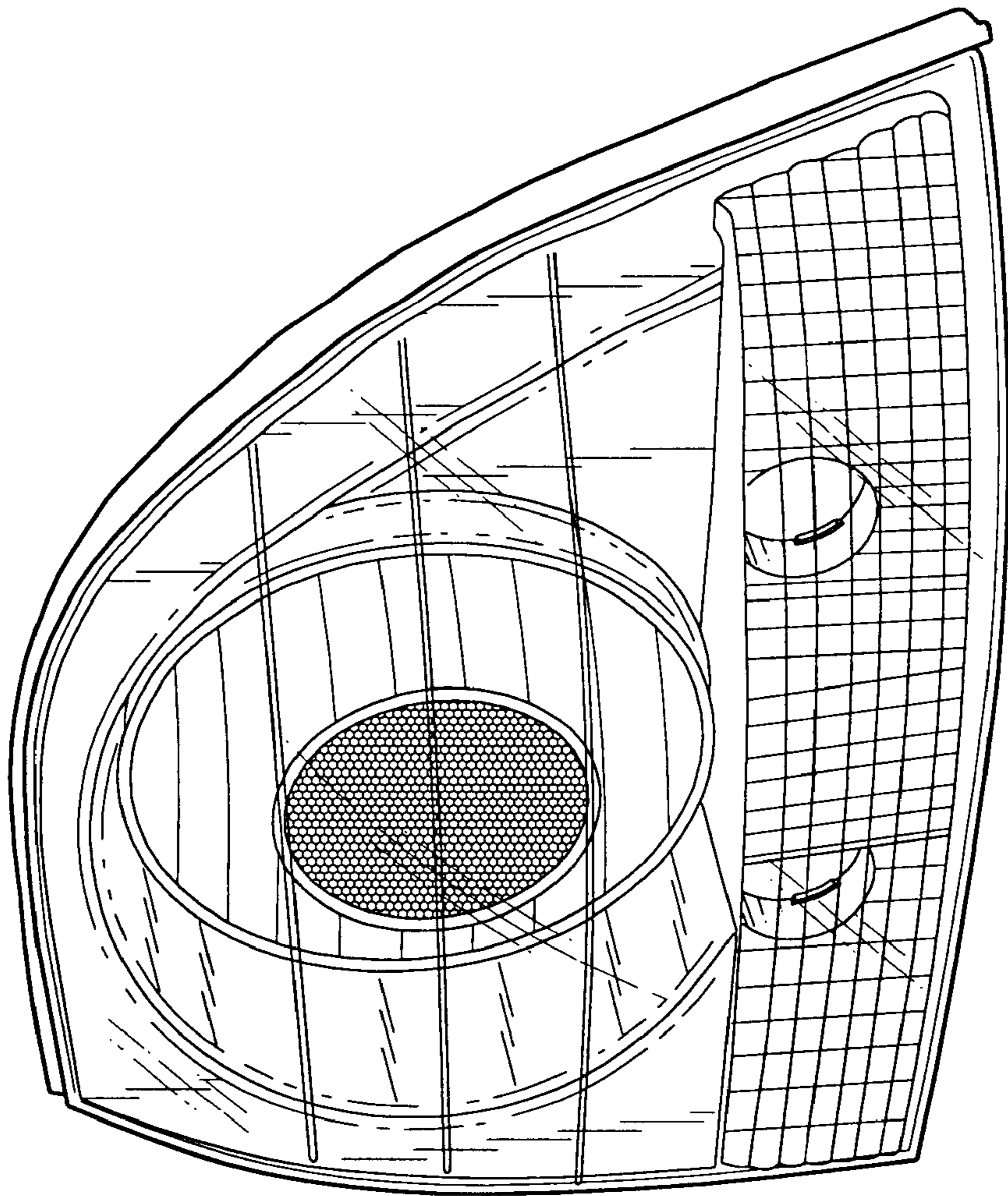


FIG. 1

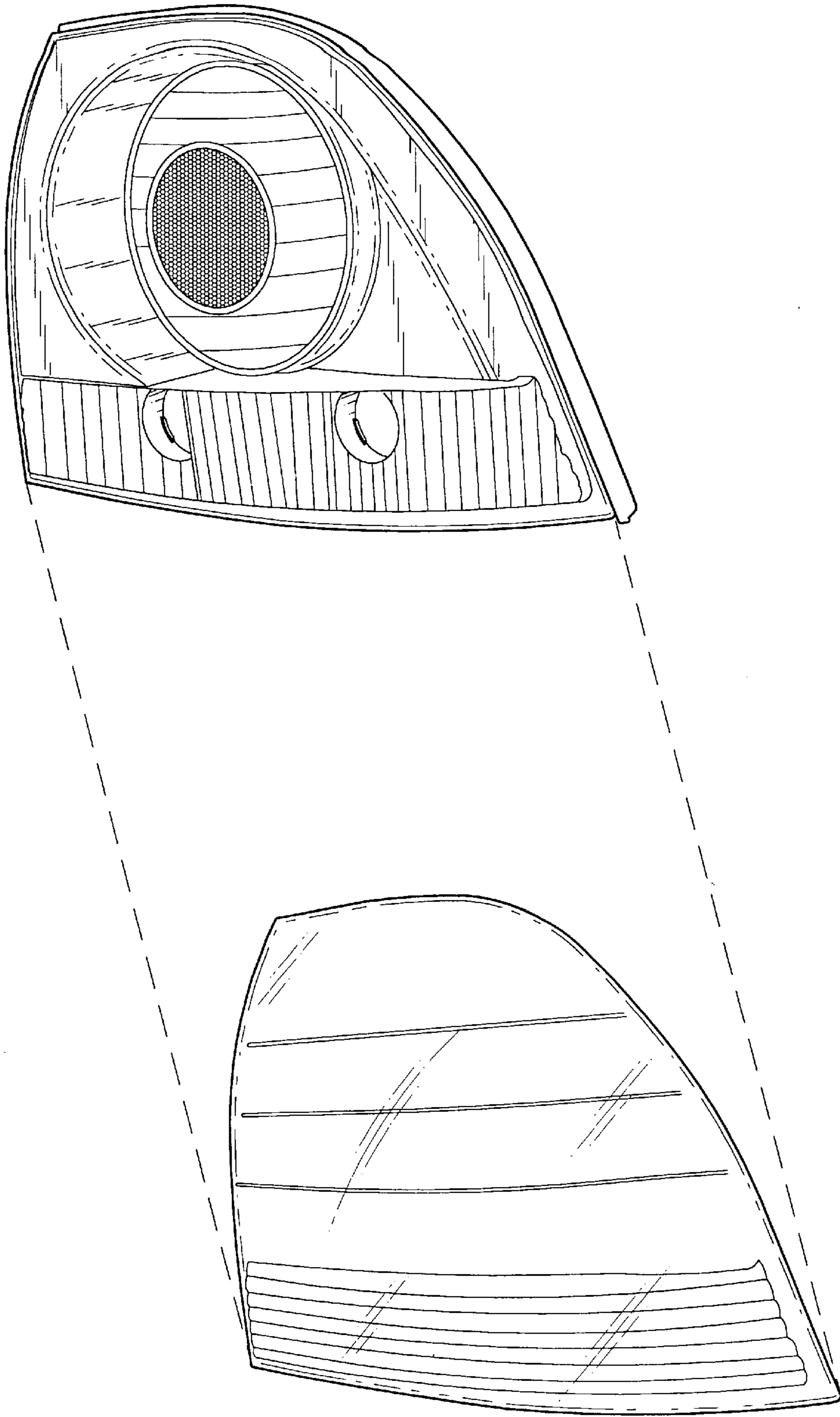


FIG. 2

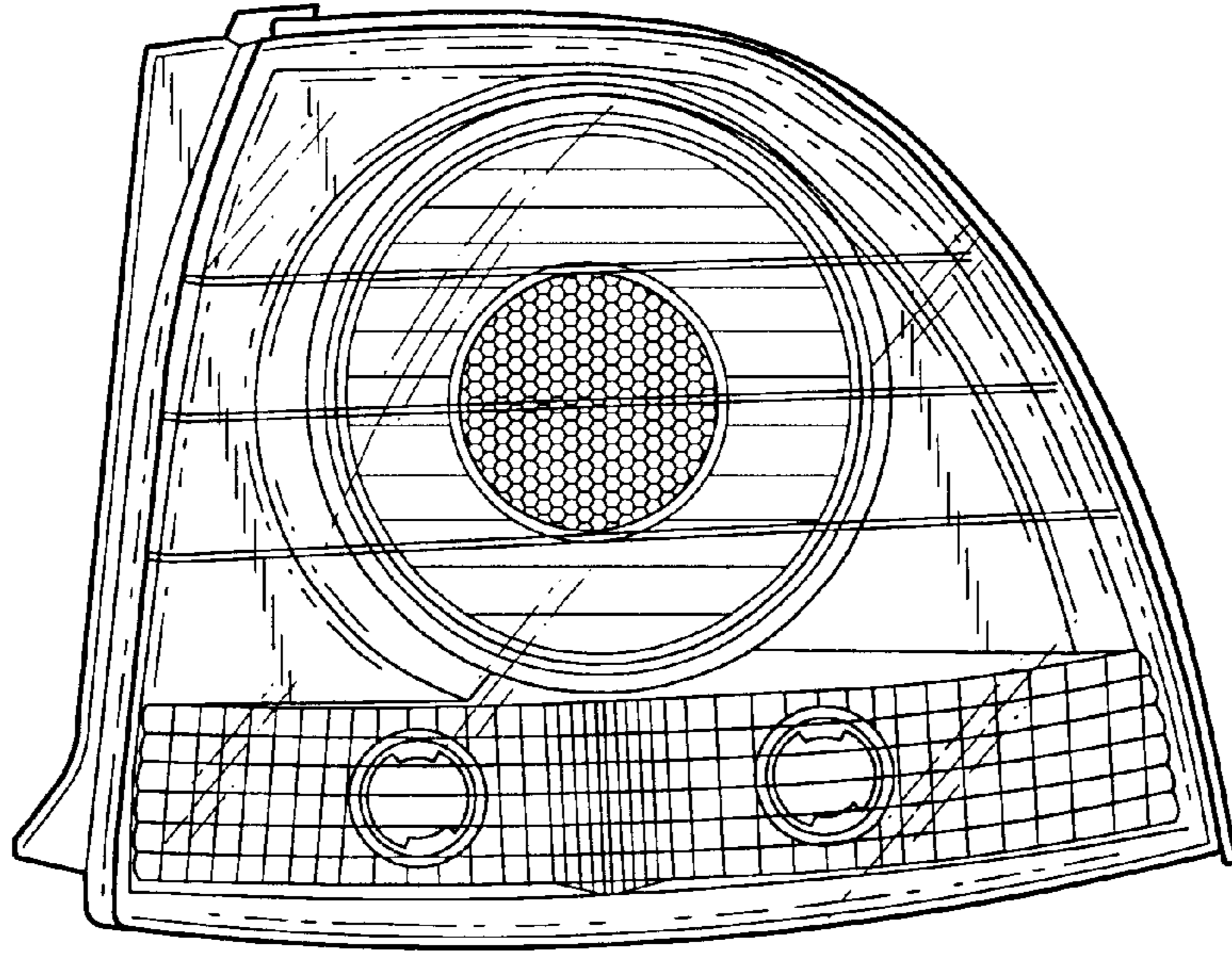


FIG. 3

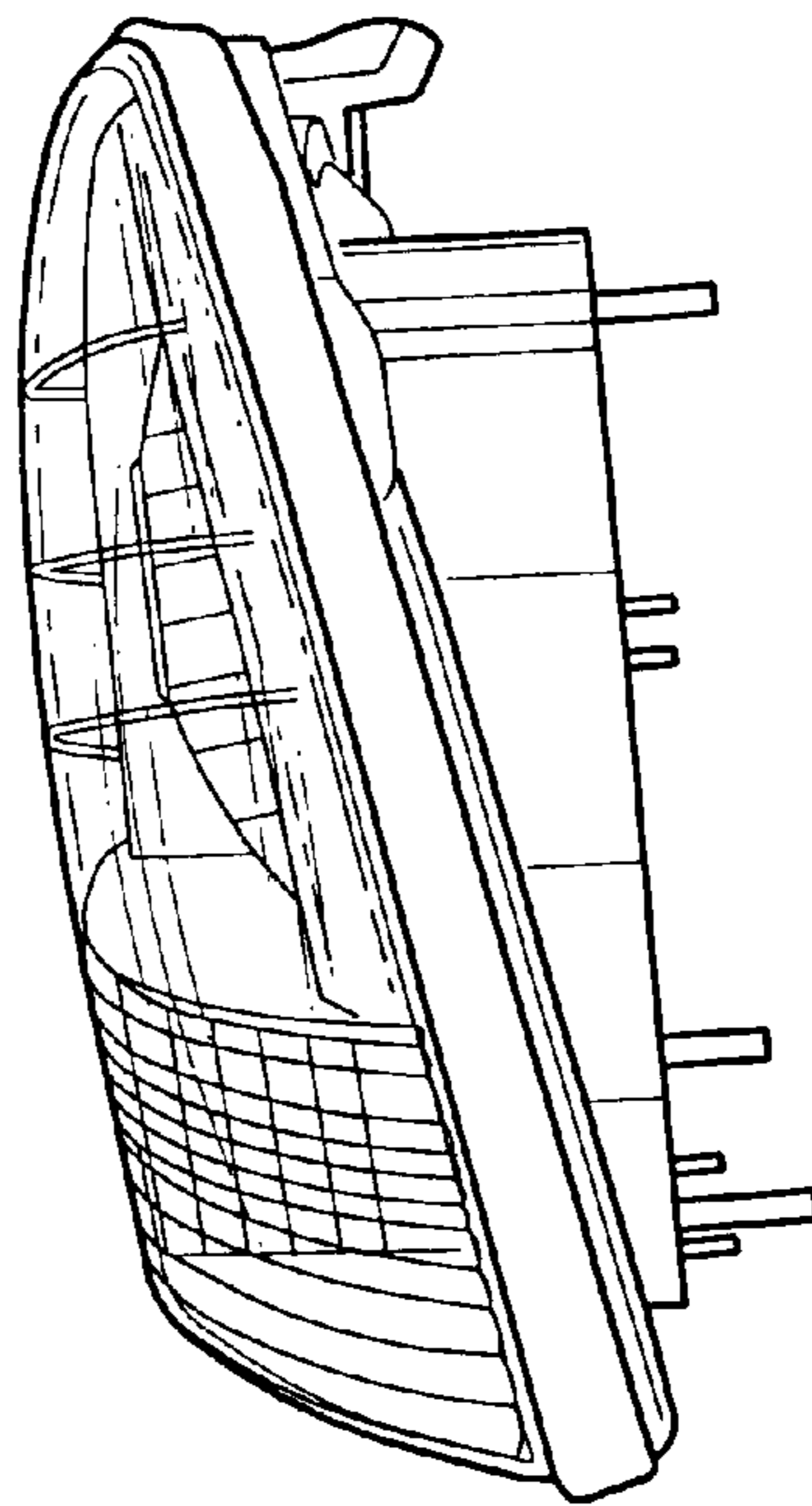


FIG. 4

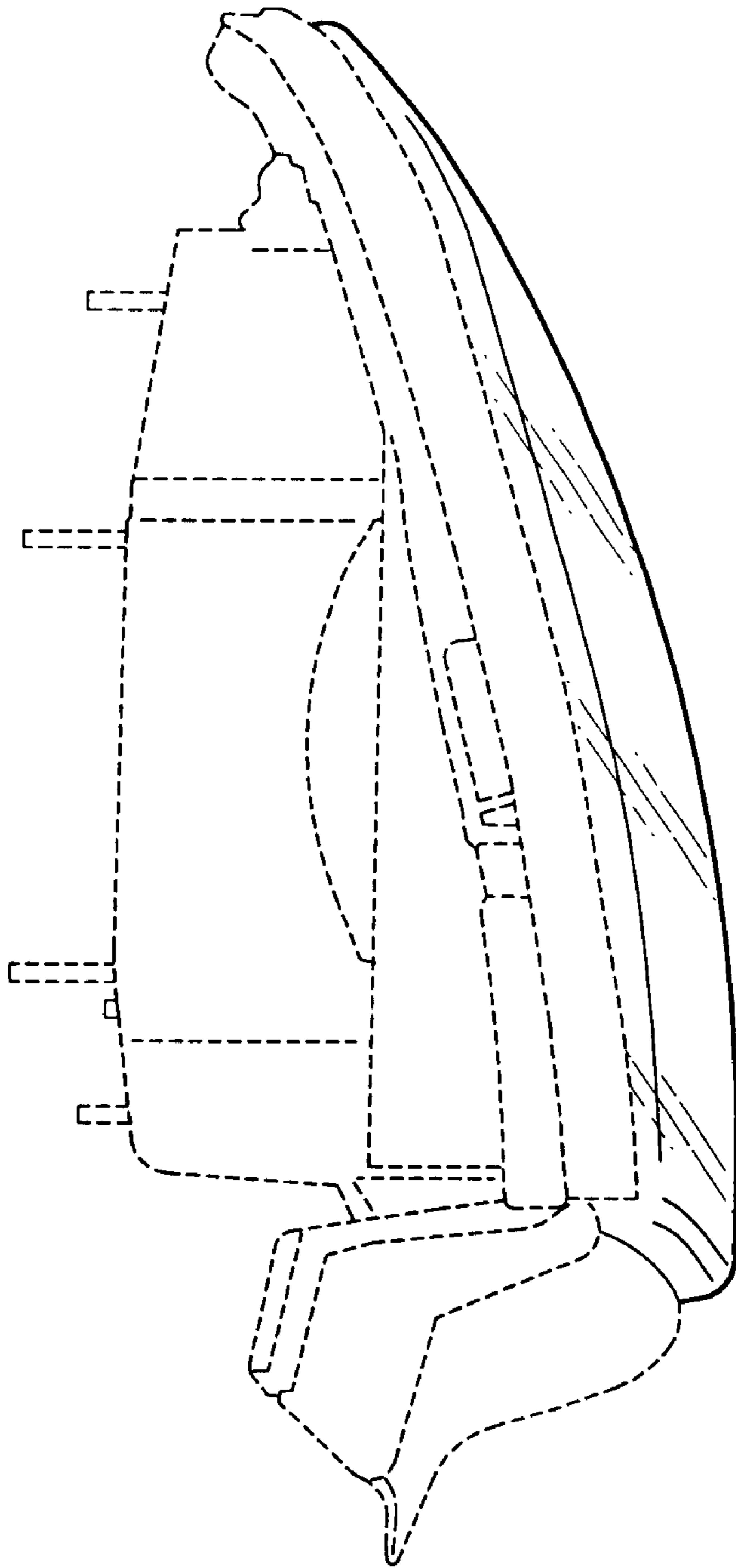


FIG. 5

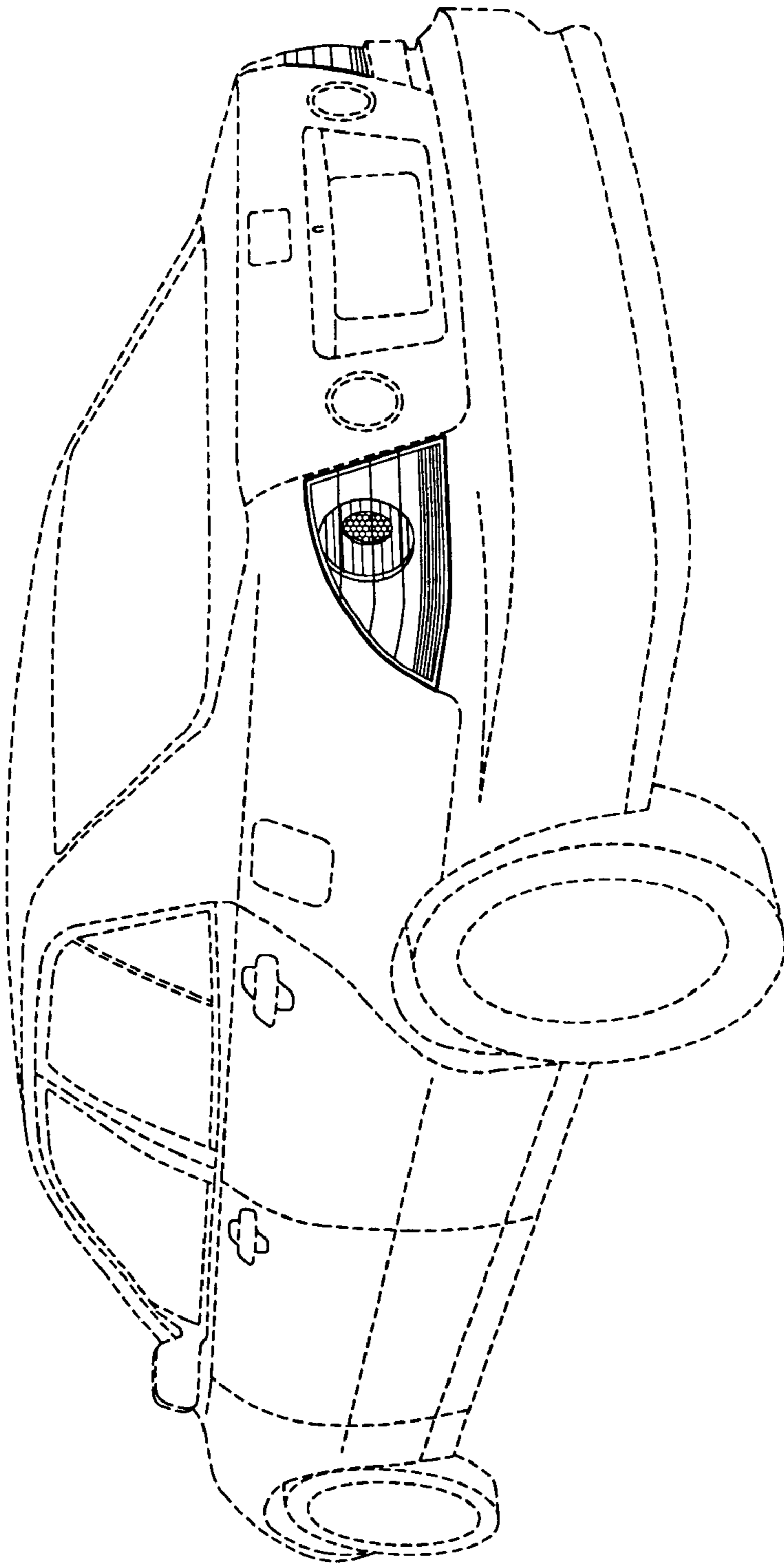


FIG. 6