



US00D450137B1

(12) **United States Design Patent**
Gardner

(10) **Patent No.:** **US D450,137 S**

(45) **Date of Patent:** **** *Nov. 6, 2001**

(54) **EXTRUDED PLASTIC WINDOW OUTSIDE MOUNT SHUTTER FRAME MOLDING**

5,894,706 * 4/1999 Herbst 160/371

* cited by examiner

(75) Inventor: **Larry S. Gardner**, Hoover, AL (US)

Primary Examiner—Doris Clark

(73) Assignee: **Alabama Venetian Blind Co.**,
Birmingham, AL (US)

(74) *Attorney, Agent, or Firm*—Robert J. Veal

(*) Notice: This patent is subject to a terminal disclaimer.

(57) **CLAIM**

The ornamental design for an extruded plastic window outside mount shutter frame molding, as shown and described.

(**) Term: **14 Years**

DESCRIPTION

(21) Appl. No.: **29/134,917**

FIG. 1 is a perspective view of an extruded plastic window outside mount shutter frame molding showing my new design;

(22) Filed: **Dec. 29, 2000**

FIG. 2 is an end view of the extruded plastic window outside mount shutter frame molding;

(51) **LOC (7) Cl.** **25-01**

(52) **U.S. Cl.** **D25/136**

(58) **Field of Search** 160/104, 371,
160/377, 236; 49/82.1, 74.1; 52/656.7,
473, 202; D25/47, 49, 136, 60, 119

FIG. 3 is a top view of the extruded plastic window outside mount shutter frame molding;

FIG. 4 is a frontal view of the extruded plastic window outside mount shutter frame molding;

(56) **References Cited**

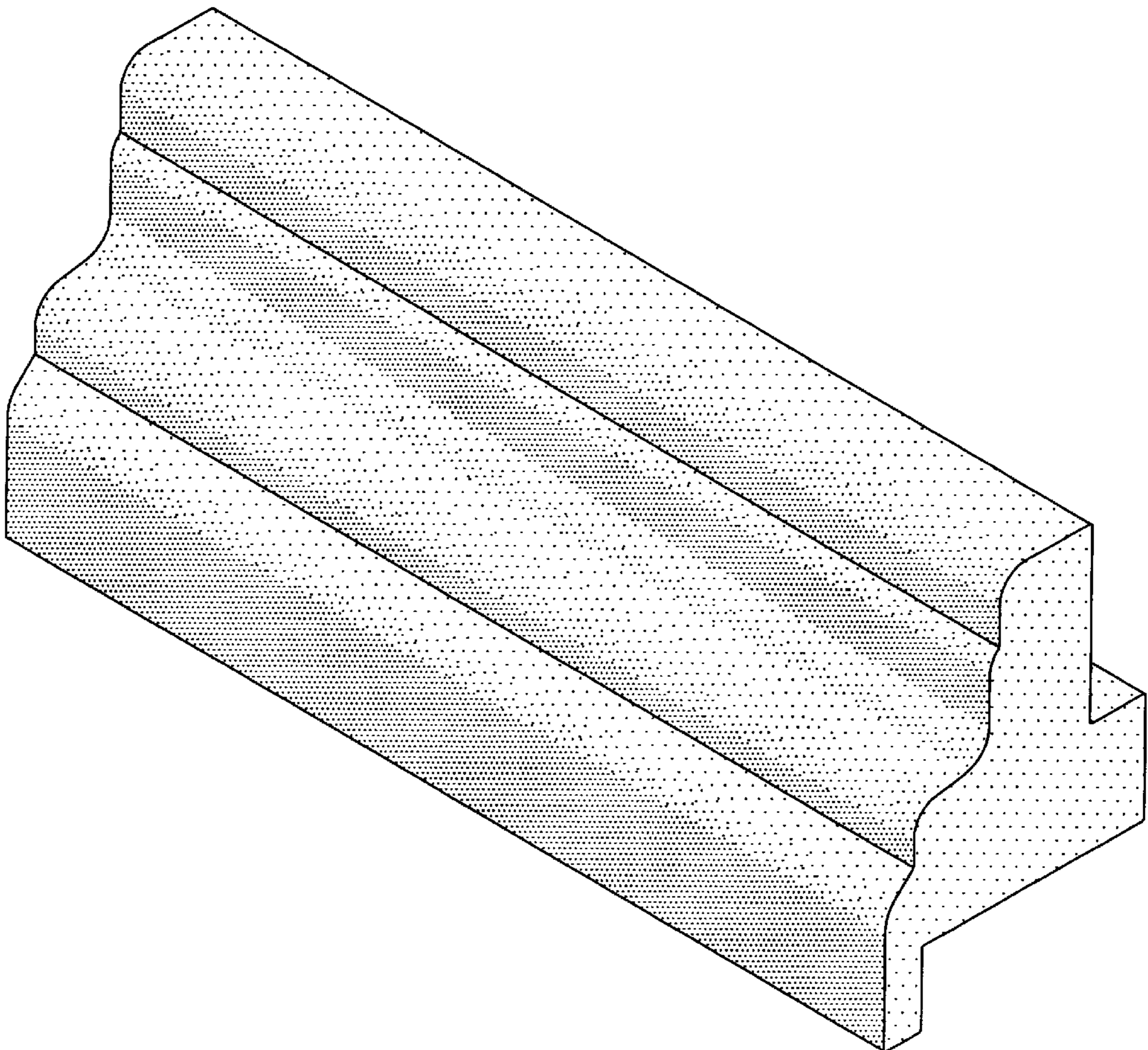
U.S. PATENT DOCUMENTS

- D. 366,123 * 1/1996 Swopes D25/136
- 3,324,785 * 6/1967 Underdahl 49/74.1
- 5,379,551 * 1/1995 Swapp 49/82.1

FIG. 5 is a bottom view of the extruded plastic window outside mount shutter frame molding; and,

FIG. 6 is a rear view of the extruded plastic window outside mount shutter frame molding.

1 Claim, 6 Drawing Sheets



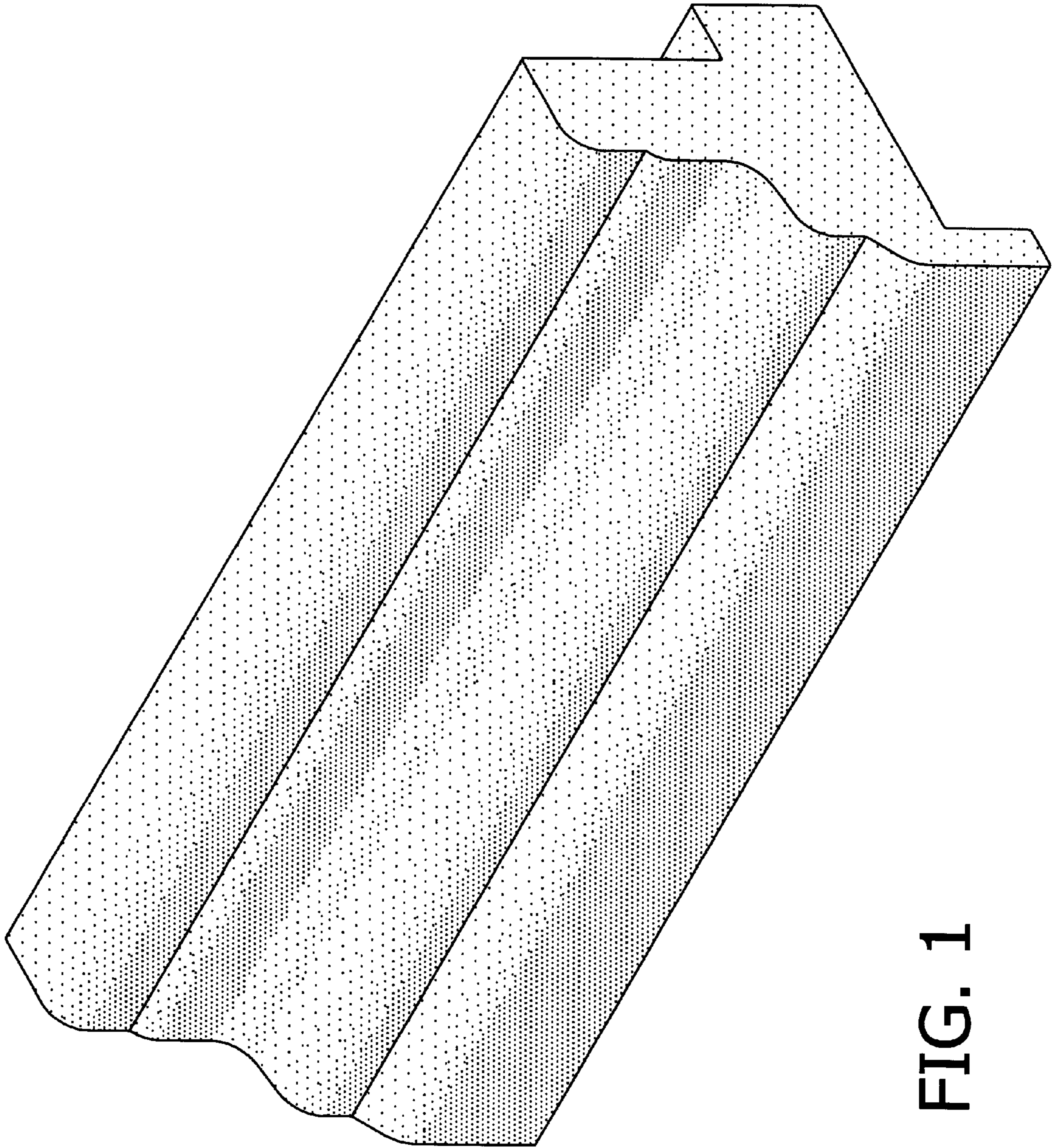


FIG. 1

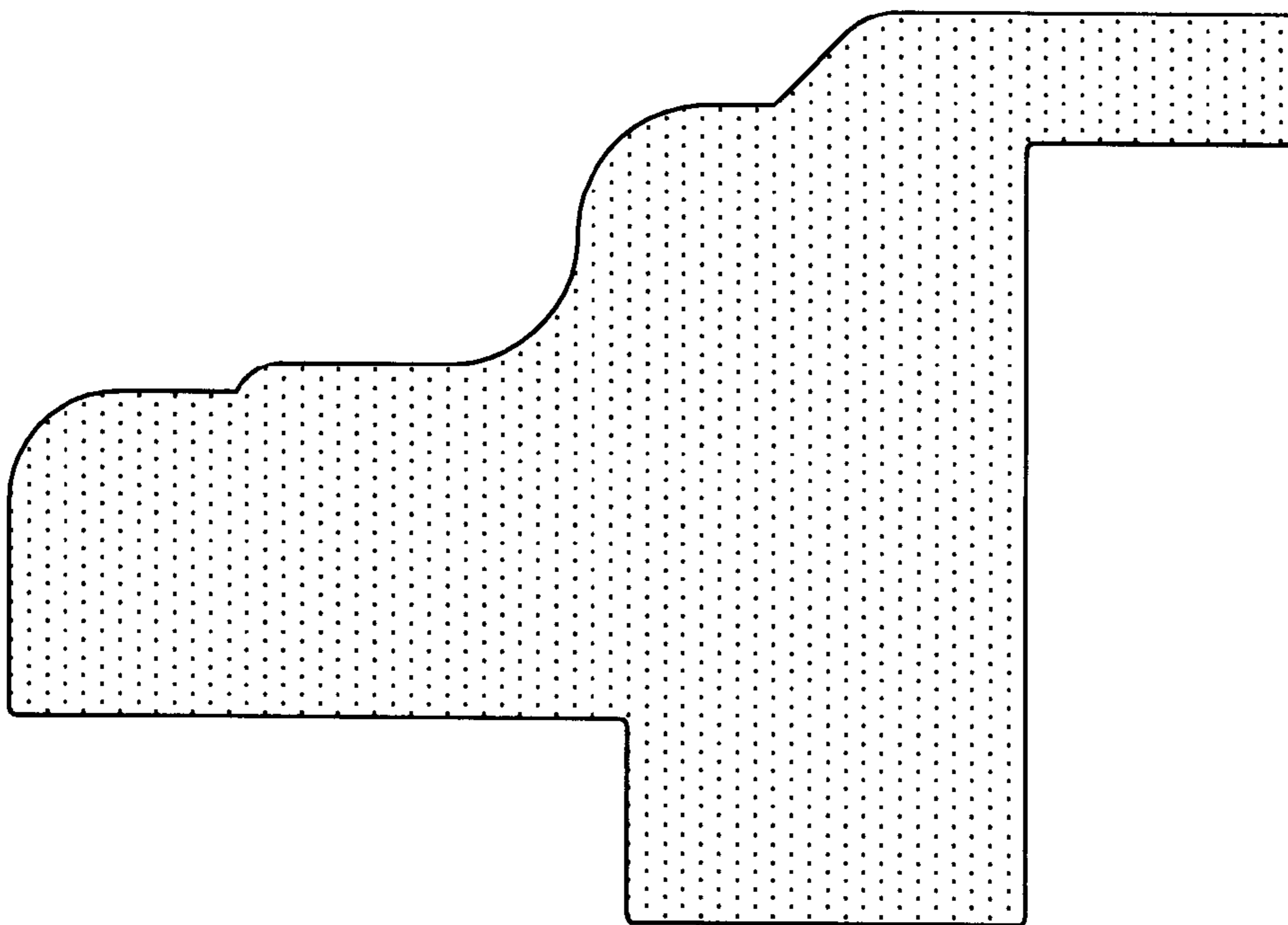


FIG. 2

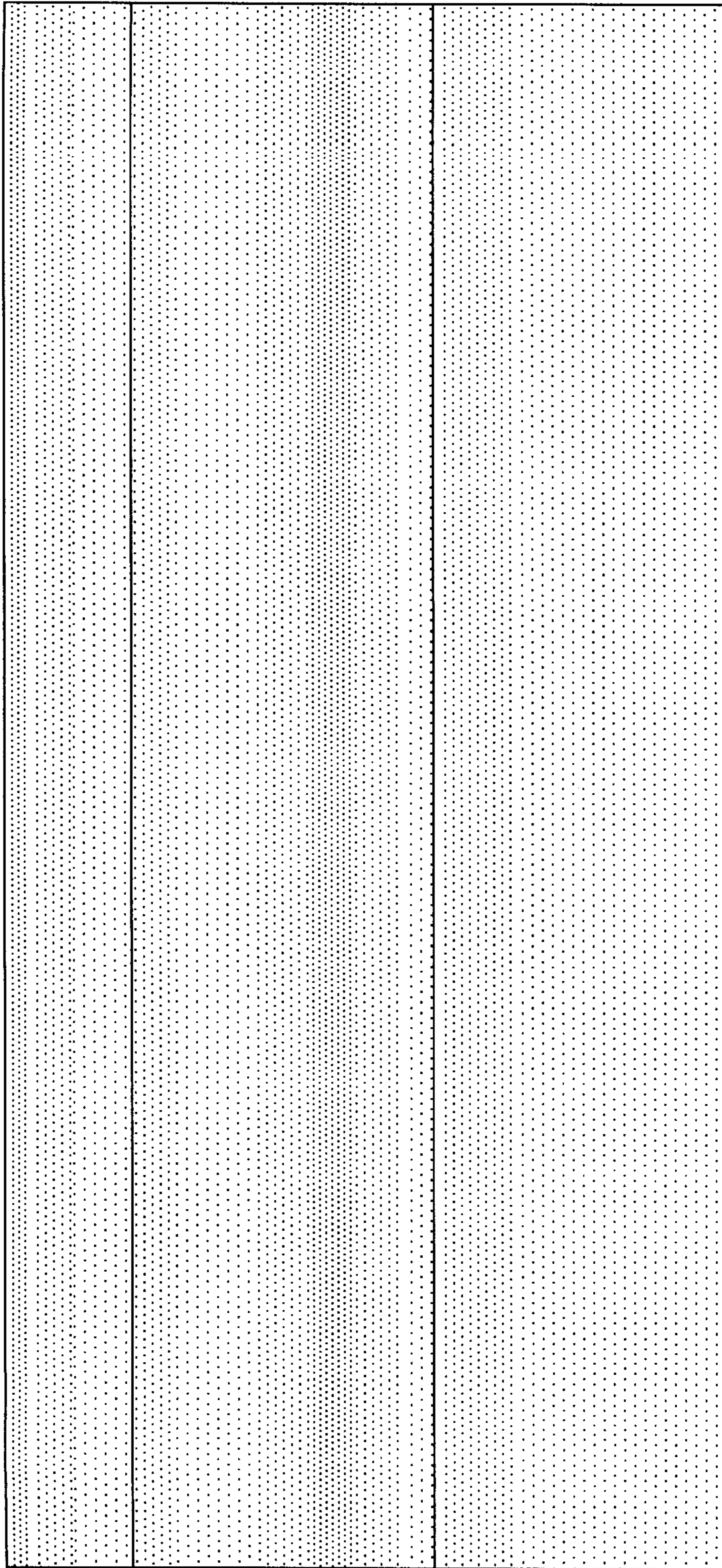


FIG. 3

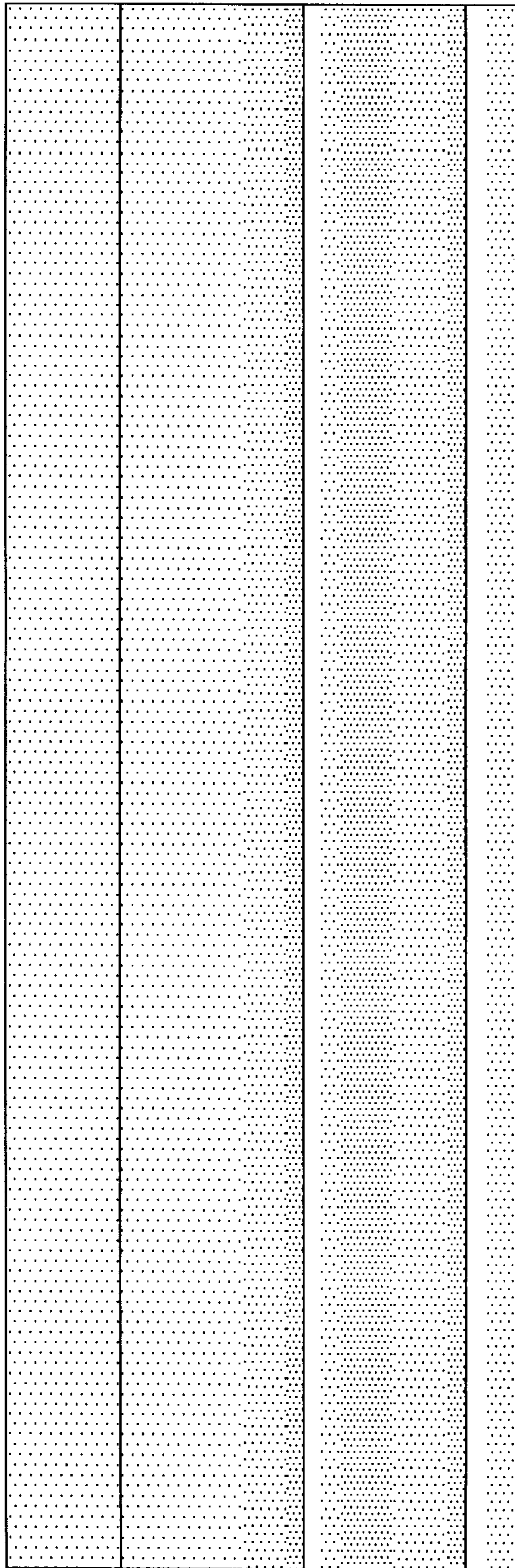


FIG. 4

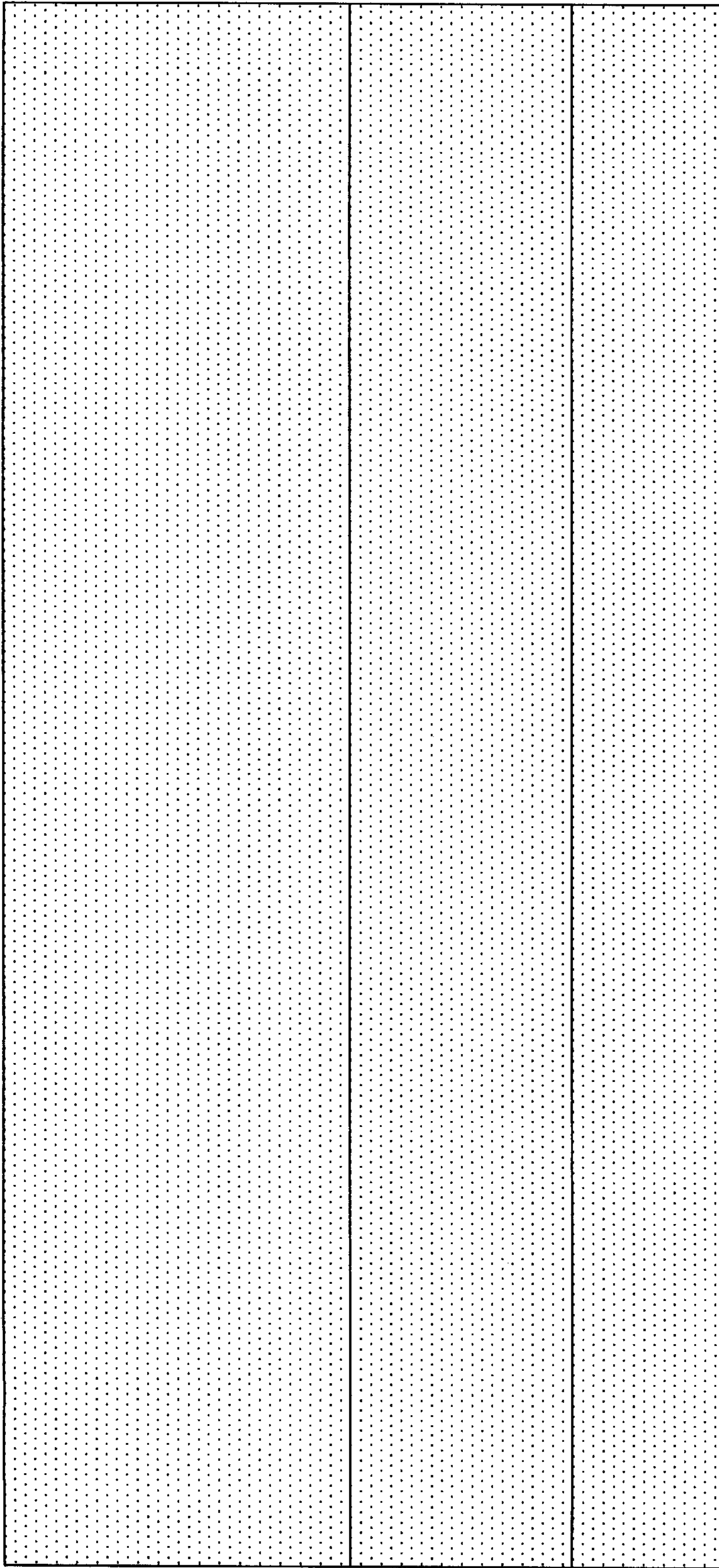


FIG. 5

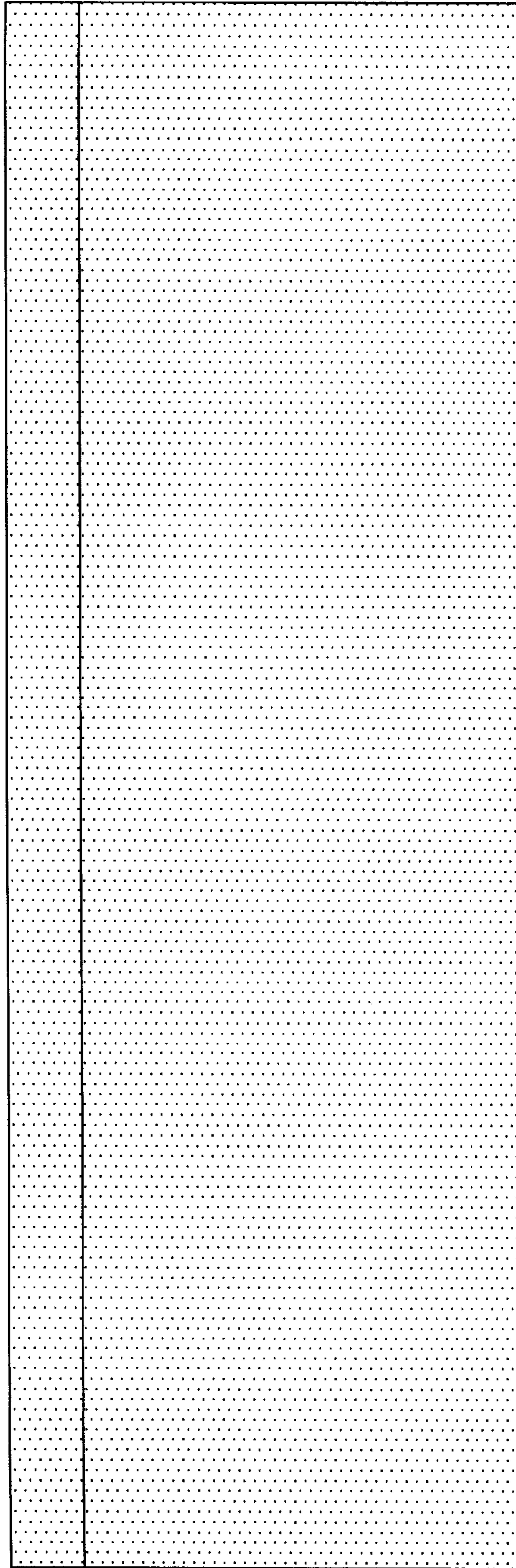


FIG. 6