



US00D450136B1

(12) **United States Design Patent**
Ogawa

(10) **Patent No.:** **US D450,136 S**

(45) **Date of Patent:** **** Nov. 6, 2001**

(54) **BLOCK FOR A FLOWERBED**

5,154,032 * 10/1992 Ritter 52/596 X

(76) Inventor: **Katsumasa Ogawa**, 3-2-22, Soja,
Soja-shi, Okayama (JP)

* cited by examiner

(**) Term: **14 Years**

Primary Examiner—Louis S. Zarfes

Assistant Examiner—Robert A. Delehanty

(74) *Attorney, Agent, or Firm*—Flynn, Thiel, Boutell &
Tanis, P.C.

(21) Appl. No.: **29/137,840**

(22) Filed: **Feb. 28, 2001**

(57) **CLAIM**

(51) **LOC (7) Cl.** **25-01**

The ornamental design for a block for a flowerbed, as shown
and described.

(52) **U.S. Cl.** **D25/113**

(58) **Field of Search** D25/102, 113-118,
D25/164; D21/484-486, 489-497, 503;
404/27-31; 52/102, 578-582.2, 596-609

DESCRIPTION

(56) **References Cited**

FIG. 1 is a front view.

FIG. 2 is a right side view.

FIG. 3 is a top plan view.

FIG. 4 is a bottom view; and,

FIG. 5 is an enlarged section view along line A—A of FIG.
3.

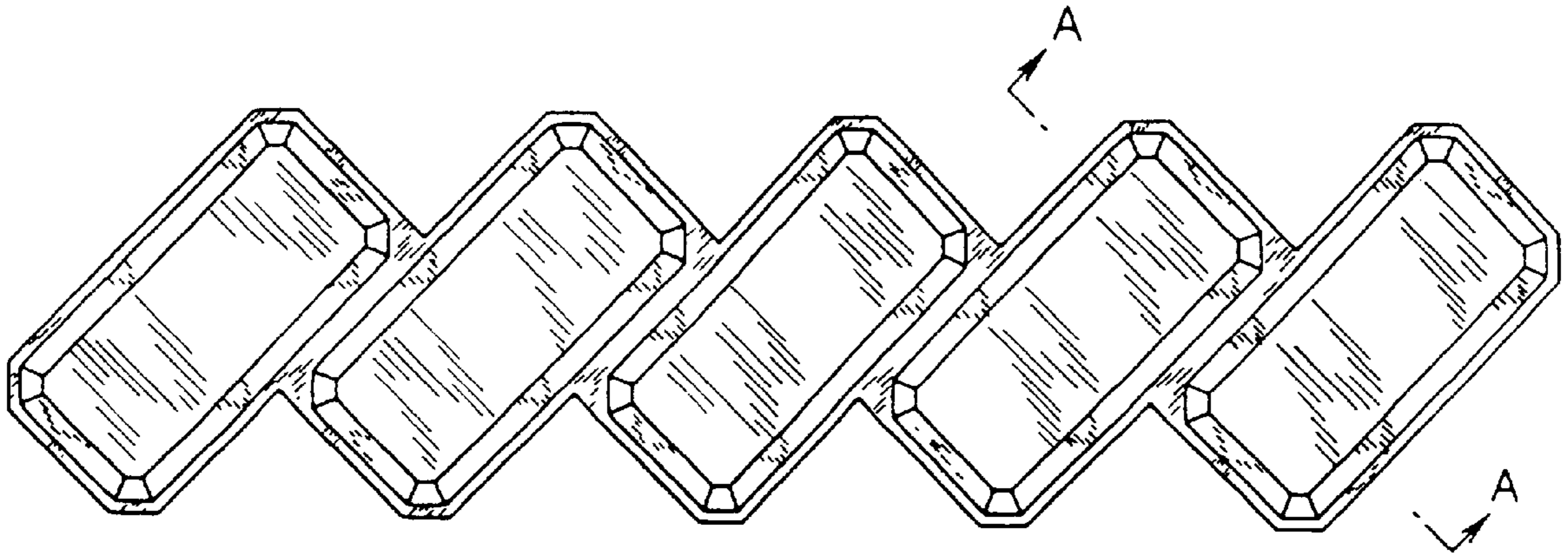
U.S. PATENT DOCUMENTS

2,912,792 * 11/1959 Venable D25/113 X

5,003,746 * 4/1991 Wilston 52/608 X

5,119,587 * 6/1992 Waltz 52/102 X

1 Claim, 3 Drawing Sheets



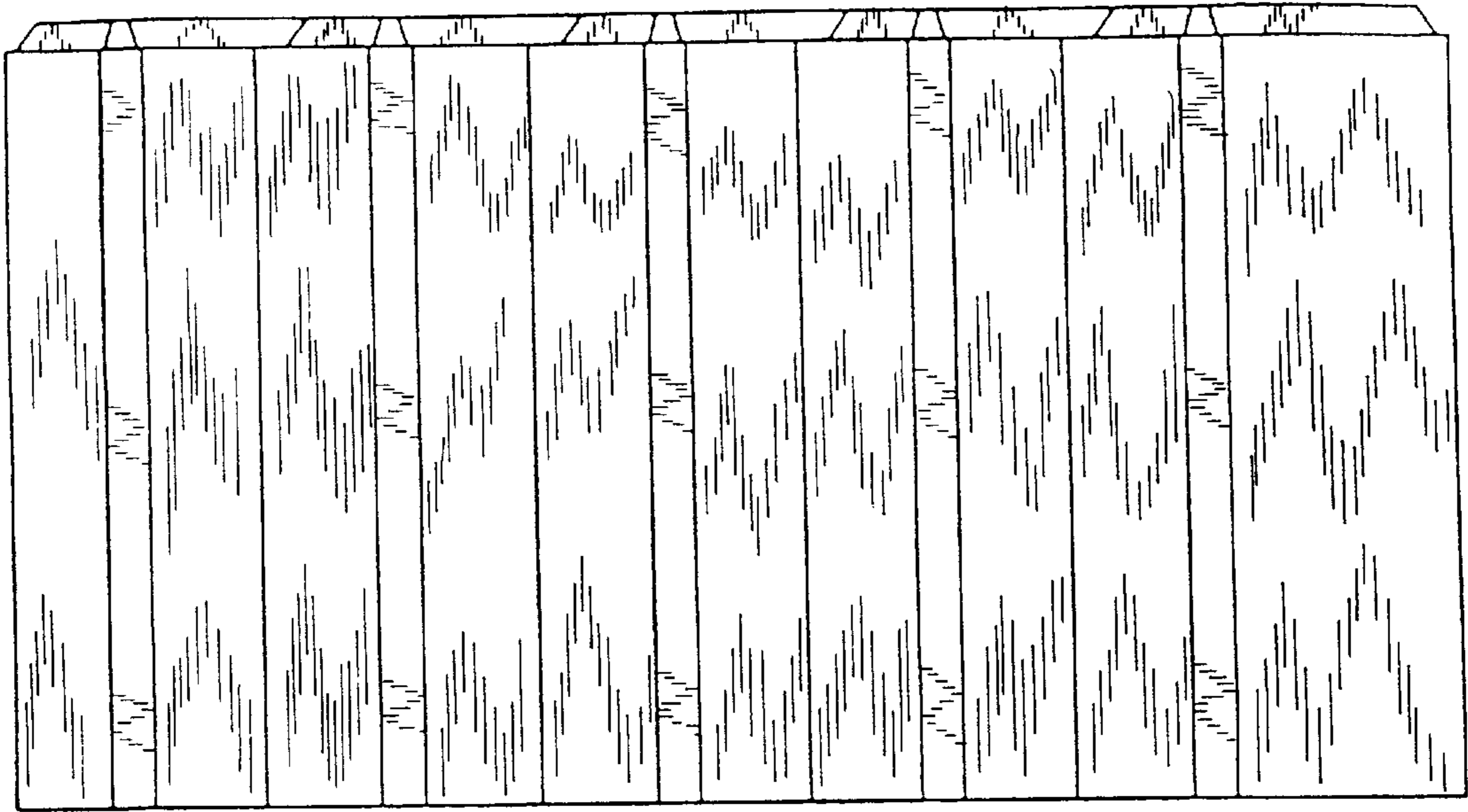


FIG. 1

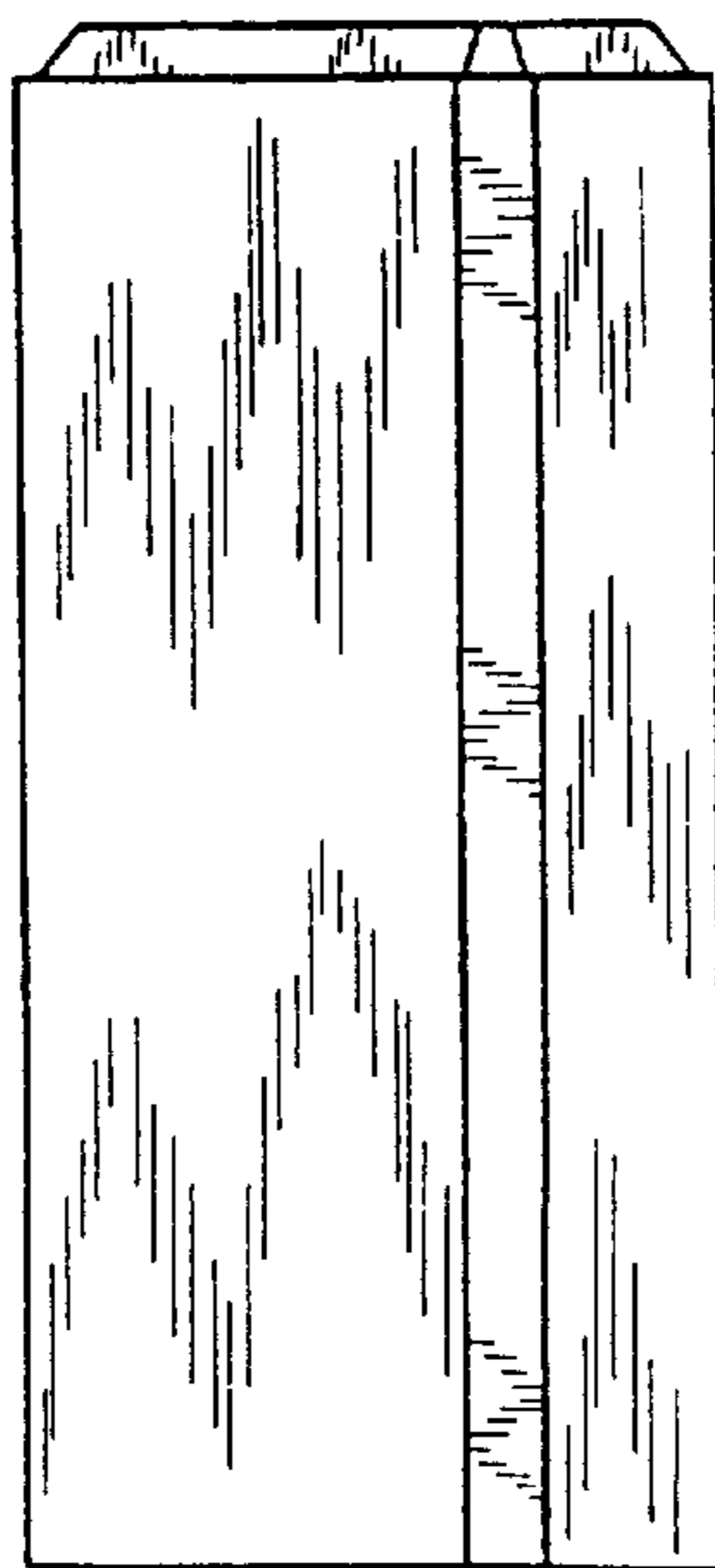


FIG. 2

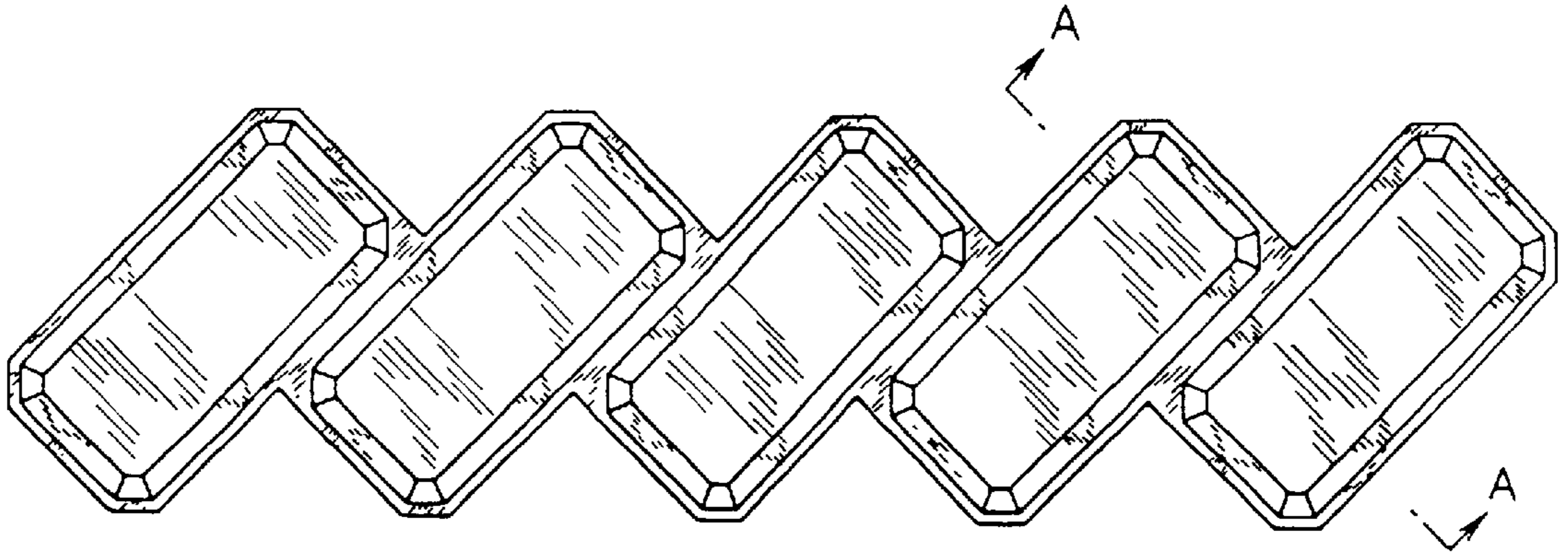


FIG. 3

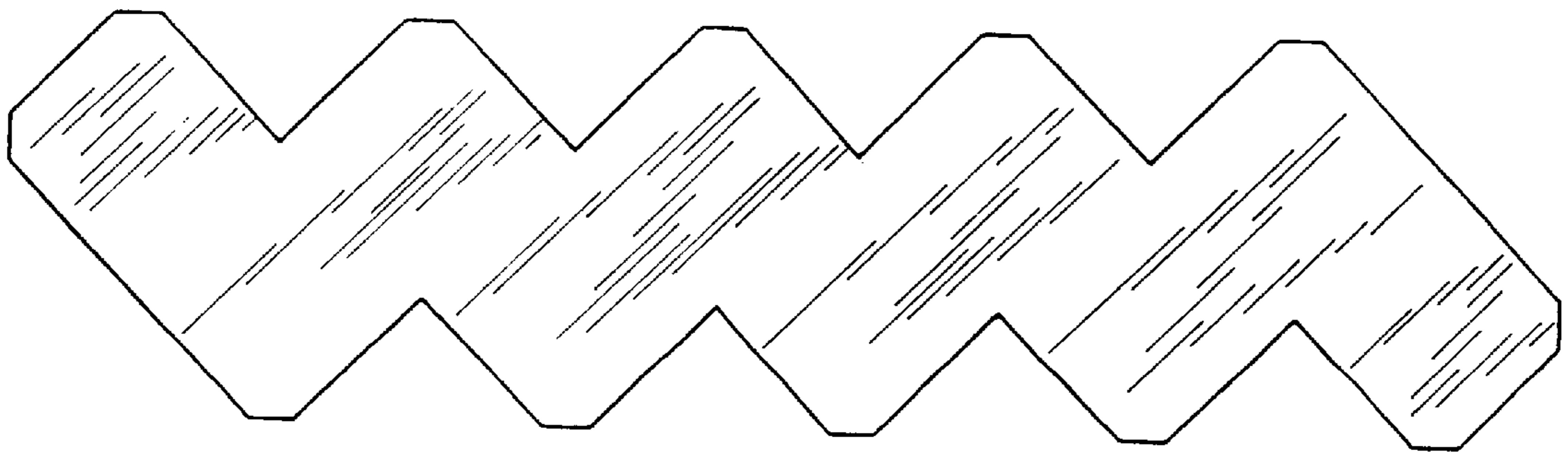


FIG. 4

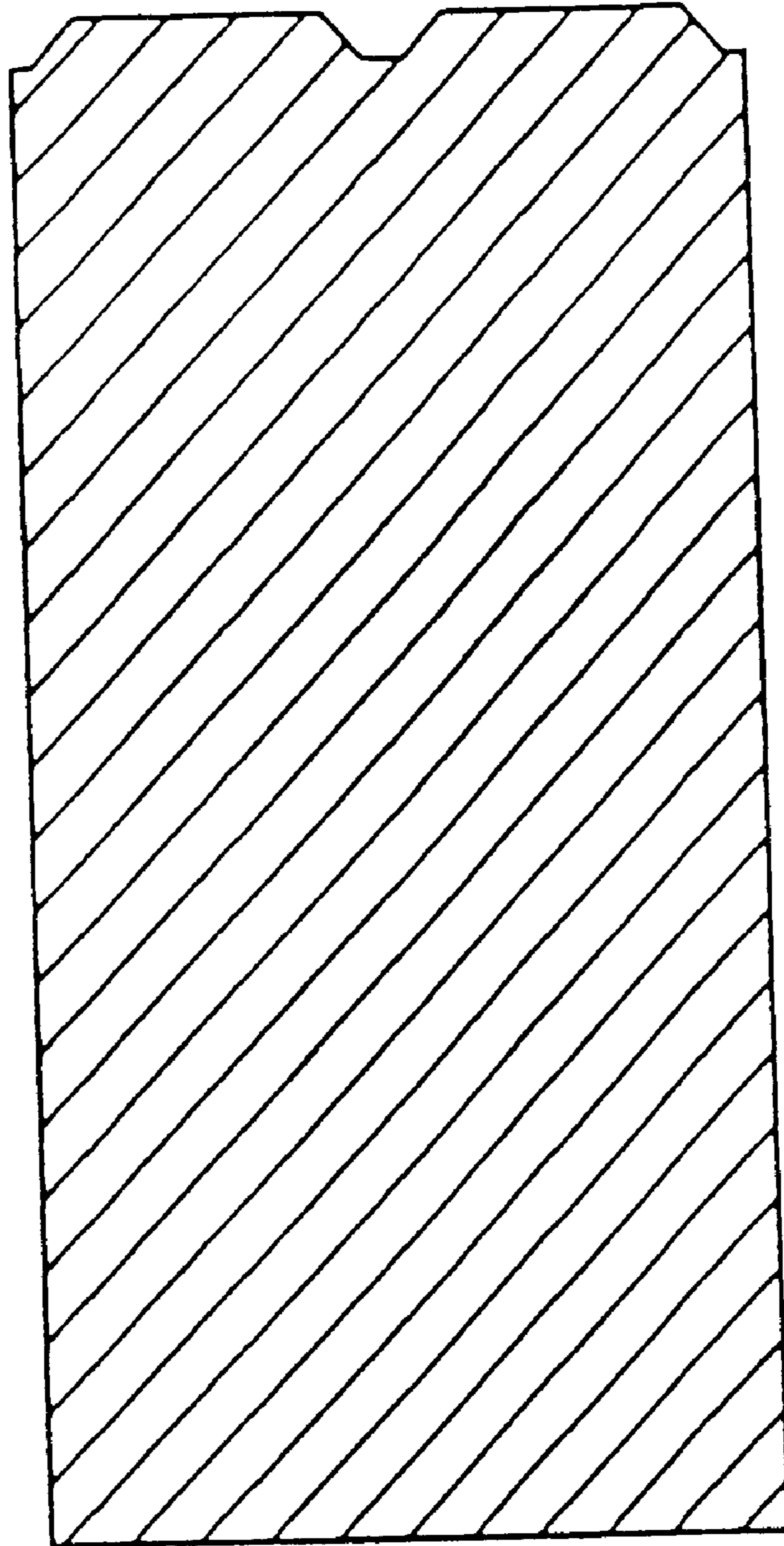


FIG. 5