



US00D450134B1

(12) **United States Design Patent**
Roberts et al.

(10) **Patent No.:** **US D450,134 S**

(45) **Date of Patent:** **** Nov. 6, 2001**

(54) **FRAME**

(75) Inventors: **William G. Roberts**, Beaver; **Walter W. Stucky**, Beaver Falls, both of PA (US)

(73) Assignee: **Veka, Inc.**, Fombell, PA (US)

(**) Term: **14 Years**

(21) Appl. No.: **29/134,476**

(22) Filed: **Dec. 22, 2000**

(51) **LOC (7) Cl.** **25-02**

(52) **U.S. Cl.** **D25/60; D25/61; D25/124; D25/164**

(58) **Field of Search** **D25/60, 61, 119-125, D25/164; 49/504, 505, DIG. 1, DIG. 2; 52/204.1, 204.5, 204.55, 204.6, 656.6, 204.51, 204.56, 230.3, 204.57, 730.3**

(56) **References Cited**

U.S. PATENT DOCUMENTS

D. 376,210 12/1996 DiGiorgio D25/124

Primary Examiner—Doris Clark

(74) *Attorney, Agent, or Firm*—Cohen & Grigsby, P.C.

(57) **CLAIM**

An ornamental design for a frame, substantially as shown.

DESCRIPTION

The present invention relates to window components.

FIG. 1 is a perspective view of the frame, showing our new design.

FIG. 2 is an end view of the frame.

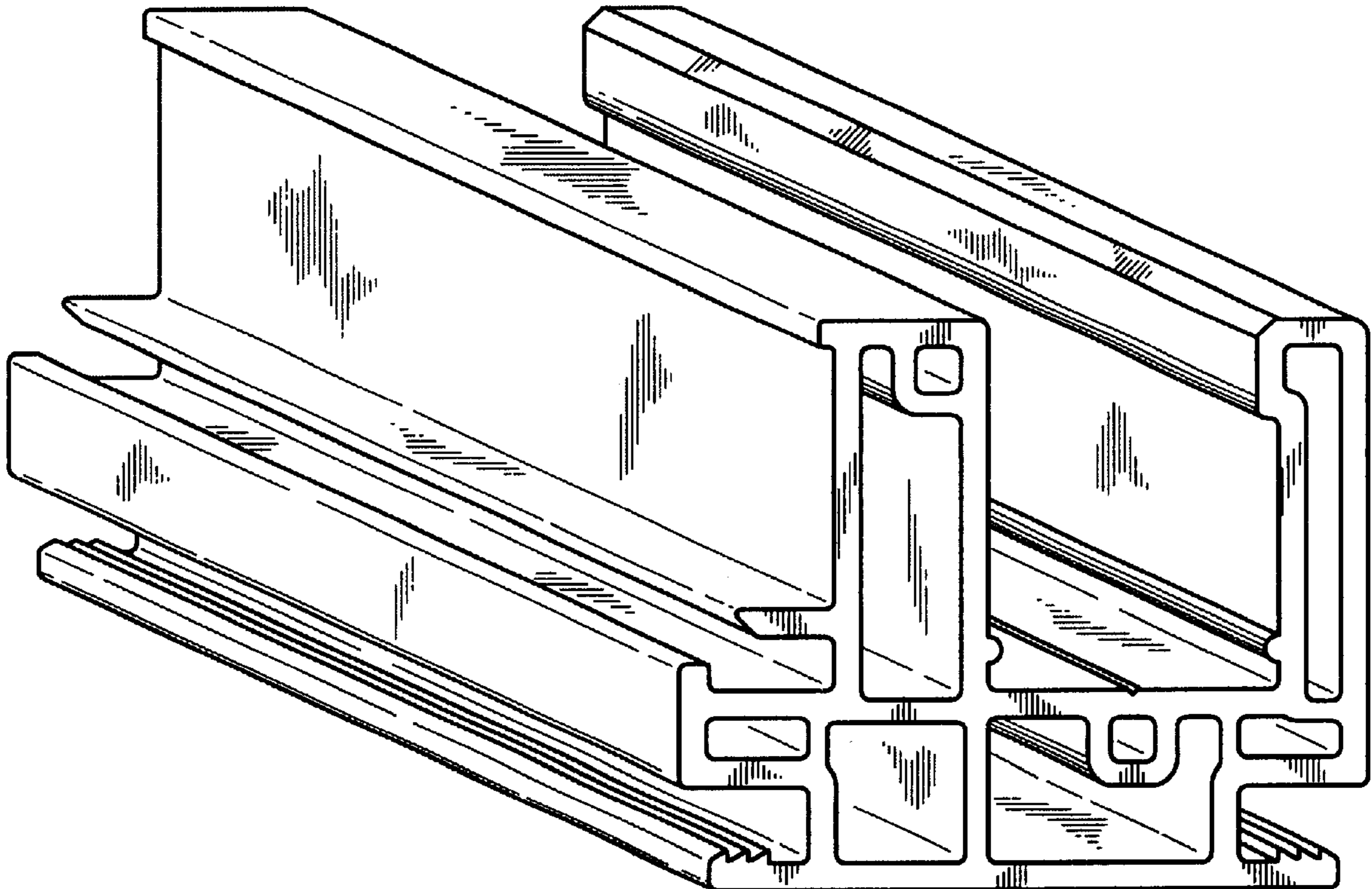
FIG. 3 is a side view of the frame.

FIG. 4 is the opposite view of the frame.

FIG. 5 is a top view of the frame; and,

FIG. 6 is a bottom view of the frame.

1 Claim, 6 Drawing Sheets



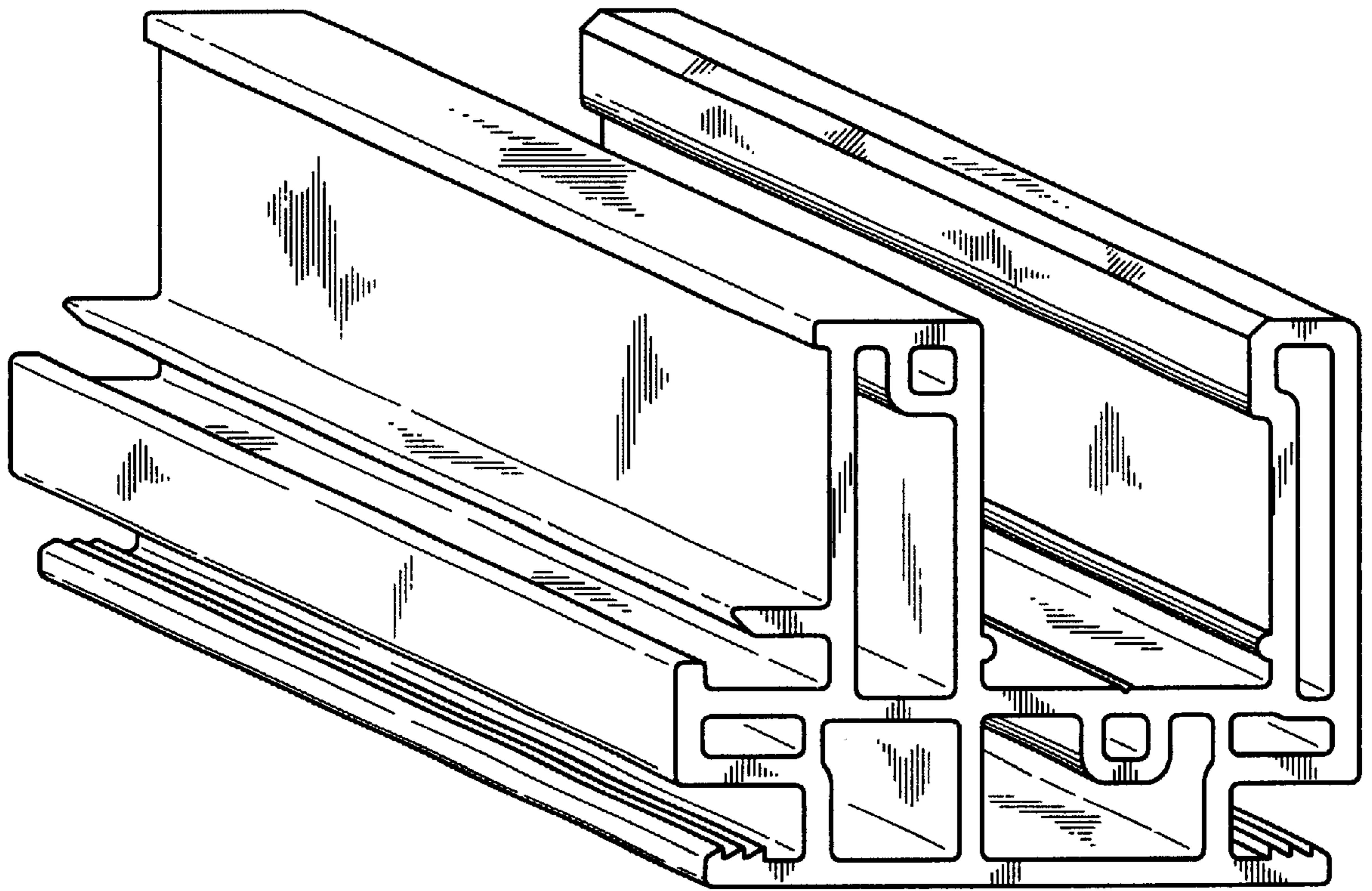


FIG. 1

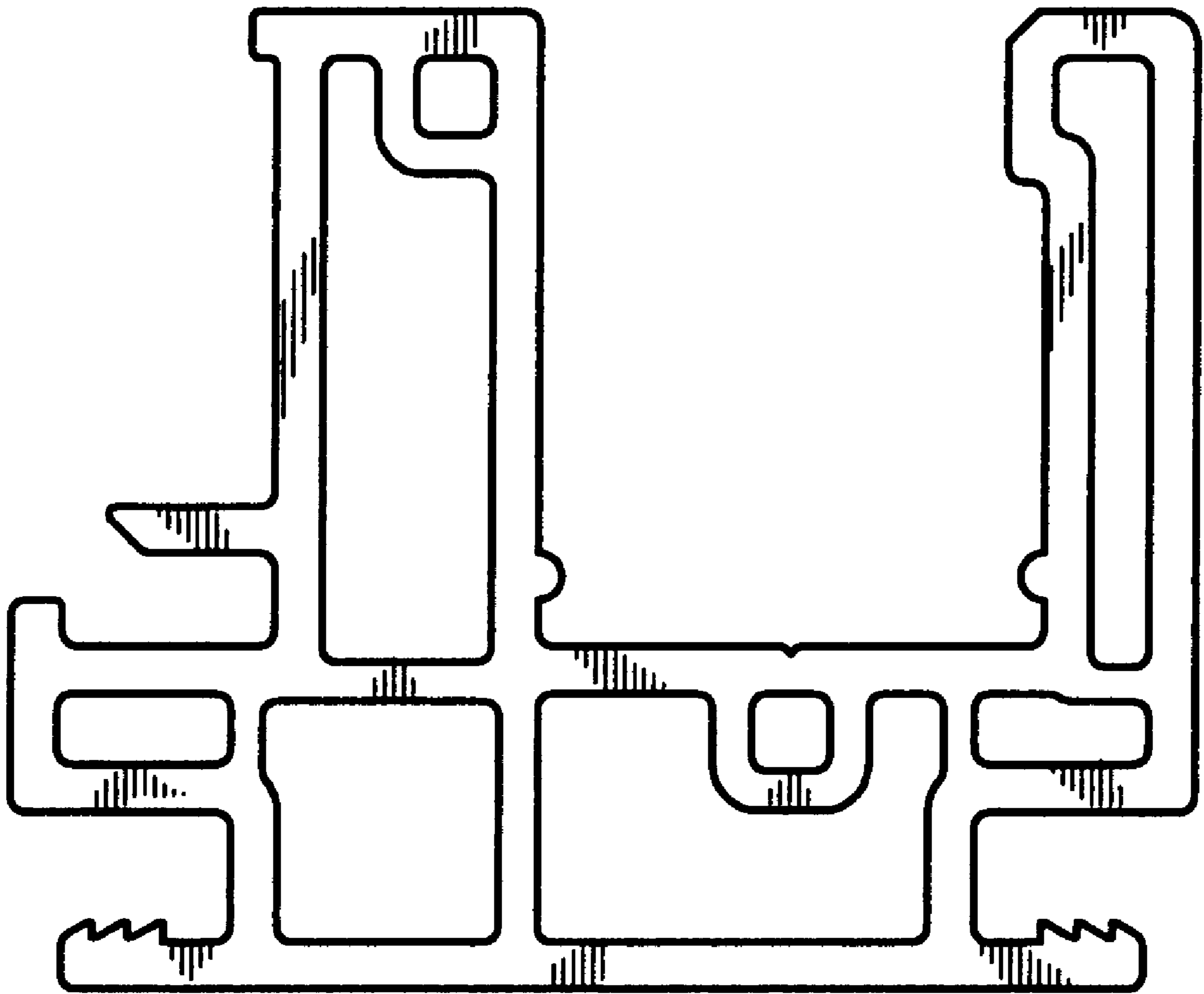


FIG. 2

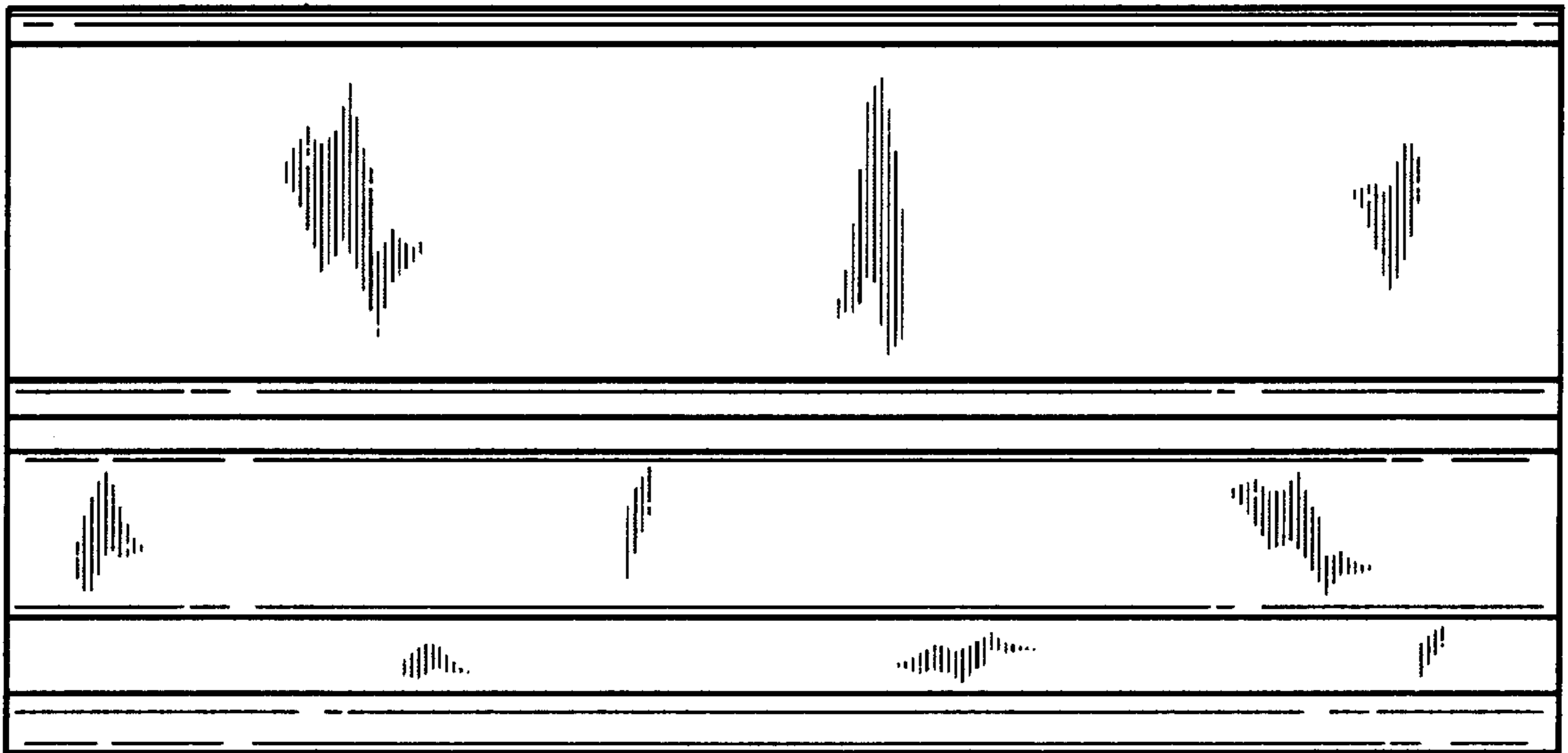


FIG. 3

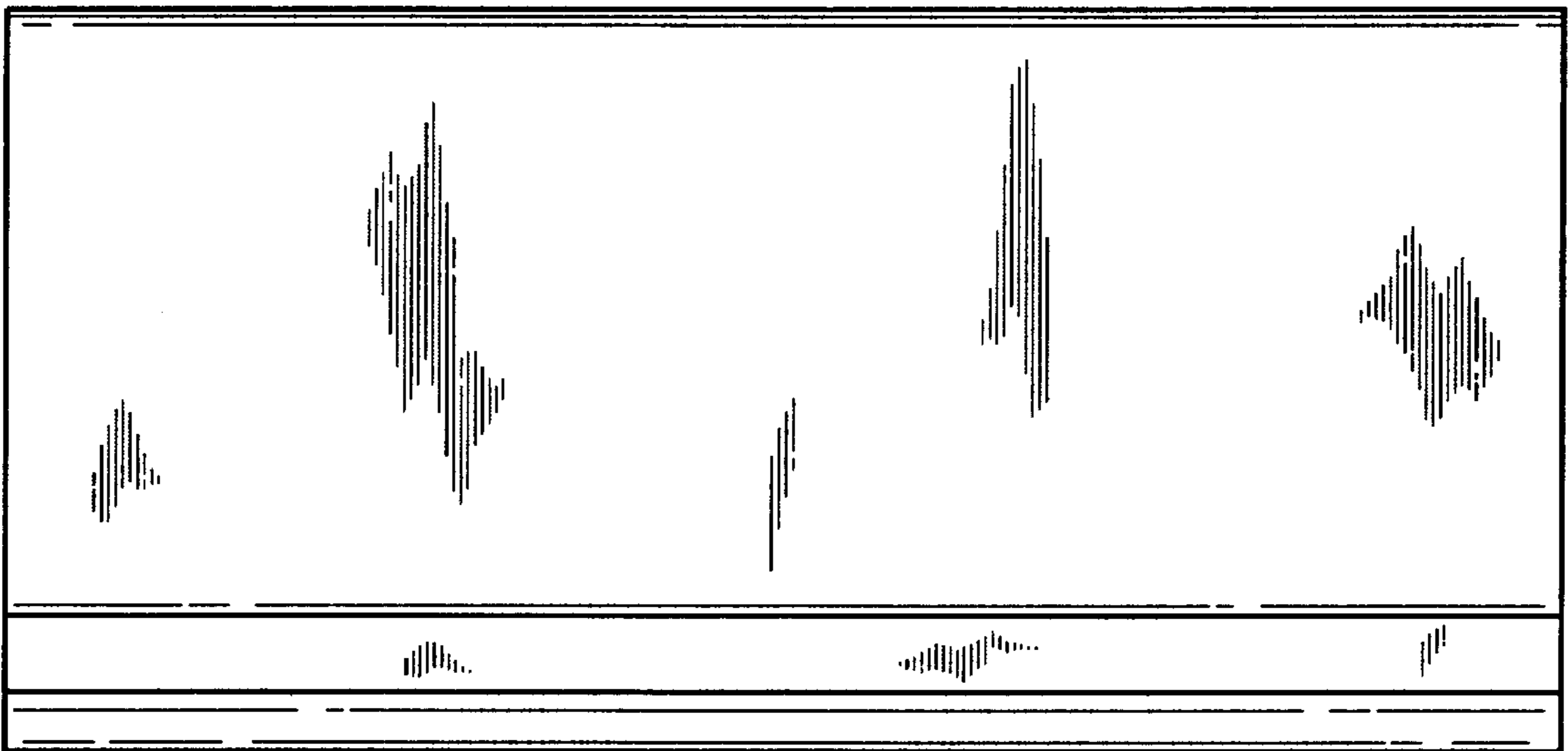


FIG. 4

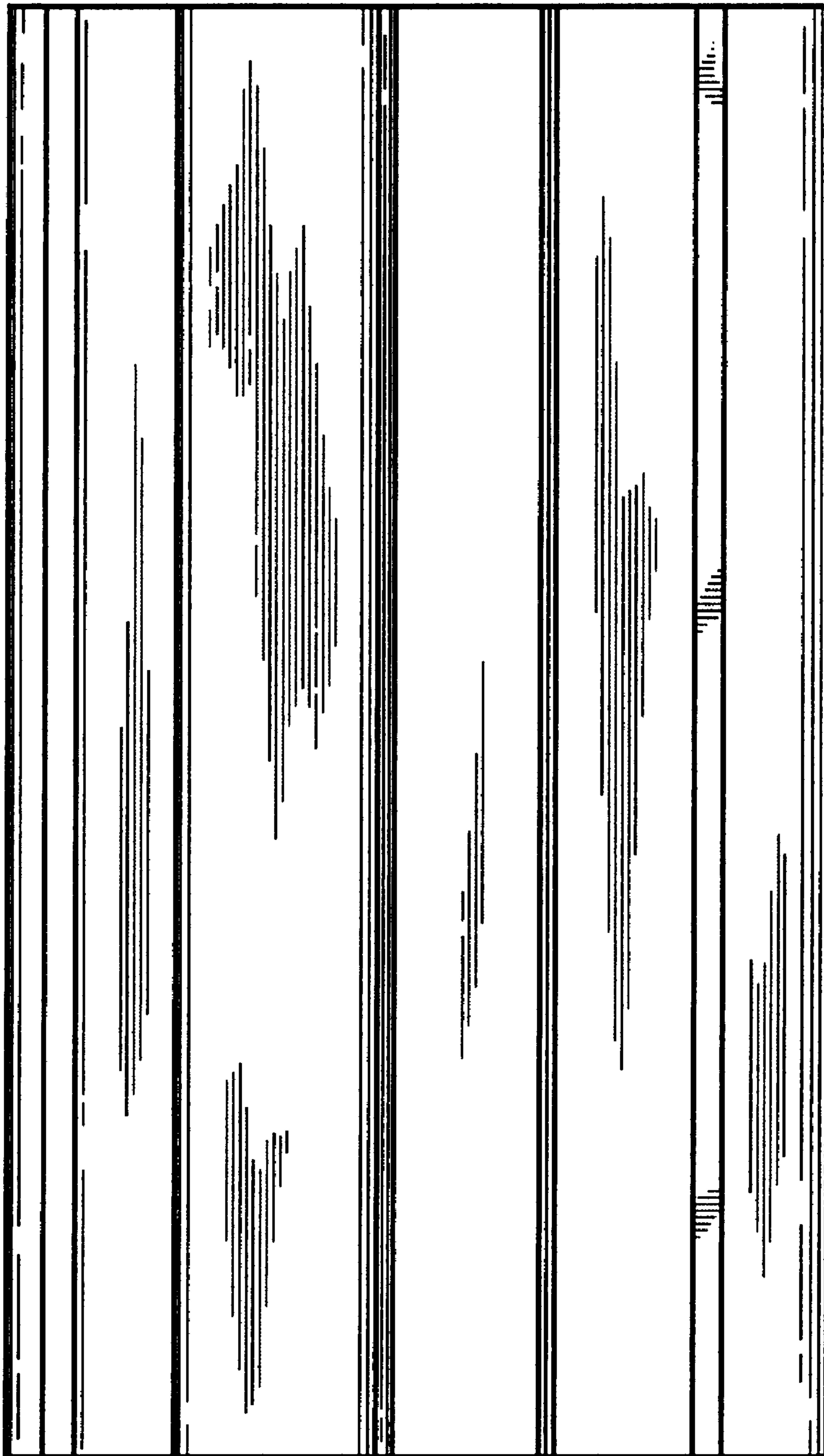


FIG. 5



FIG. 6