



US00D450131B1

(12) **United States Design Patent**
Lehrich

(10) **Patent No.:** **US D450,131 S**

(45) **Date of Patent:** **** Nov. 6, 2001**

(54) **HYBRID MEDICAL SUPPLY UNIT**

(75) **Inventor:** **Karl Lehrich, Arnsberg (DE)**

(73) **Assignee:** **Trilux-Lenze GmbH+Co. KG,**
Arnsberg (DE)

(**) **Term:** **14 Years**

(21) **Appl. No.:** **29/116,760**

(22) **Filed:** **Jan. 10, 2000**

(30) **Foreign Application Priority Data**

Jul. 12, 1999 (XH) DM/048 587

(51) **LOC (7) Cl.** **24-01**

(52) **U.S. Cl.** **D24/234**

(58) **Field of Search** D24/234, 185;
52/29, 36.1, 28, 36.4, 36.5, 297, 221, 288.1;
5/503.1, 505.1, 658

(56) **References Cited**

U.S. PATENT DOCUMENTS

D. 222,193 * 10/1971 Arts D24/185
D. 390,967 * 2/1998 Beuster et al. D24/234

D. 418,603 * 1/2000 Gallant D24/185
4,354,330 * 10/1982 Schwartz 52/28
4,905,433 * 3/1990 Miller 52/288.1
5,060,425 * 10/1991 Kappers et al. 52/36.4
5,756,933 * 5/1998 Pitchford et al. 52/287.1
5,966,760 * 10/1999 Gallant et al. 5/503.1
6,145,253 * 11/2000 Gallant et al. 52/36.1

* cited by examiner

Primary Examiner—Ian Simmons

(74) *Attorney, Agent, or Firm*—Brooks & Kusham P.C.

(57) **CLAIM**

The ornamental design for a hybrid medical supply unit, as shown and described.

DESCRIPTION

FIG. 1 is a perspective view of an embodiment of the new design.

FIG. 2 is a top plan view of the embodiment;

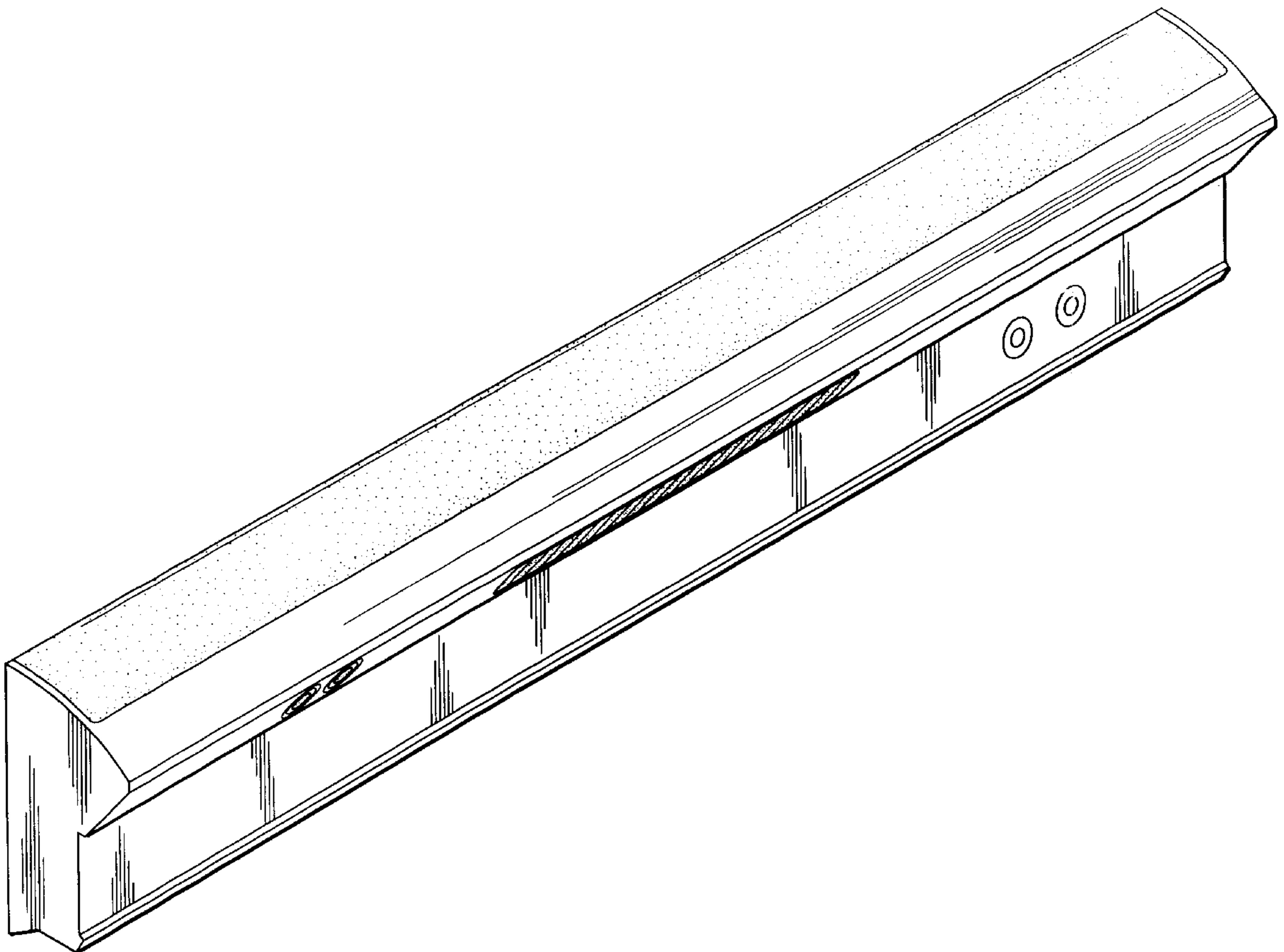
FIG. 3 is a left-side elevational view of the embodiment;

FIG. 4 is a right-side elevational view of the embodiment;

FIG. 5 is a front elevational view of the embodiment; and,

FIG. 6 is a bottom plan view of the embodiment.

1 Claim, 2 Drawing Sheets



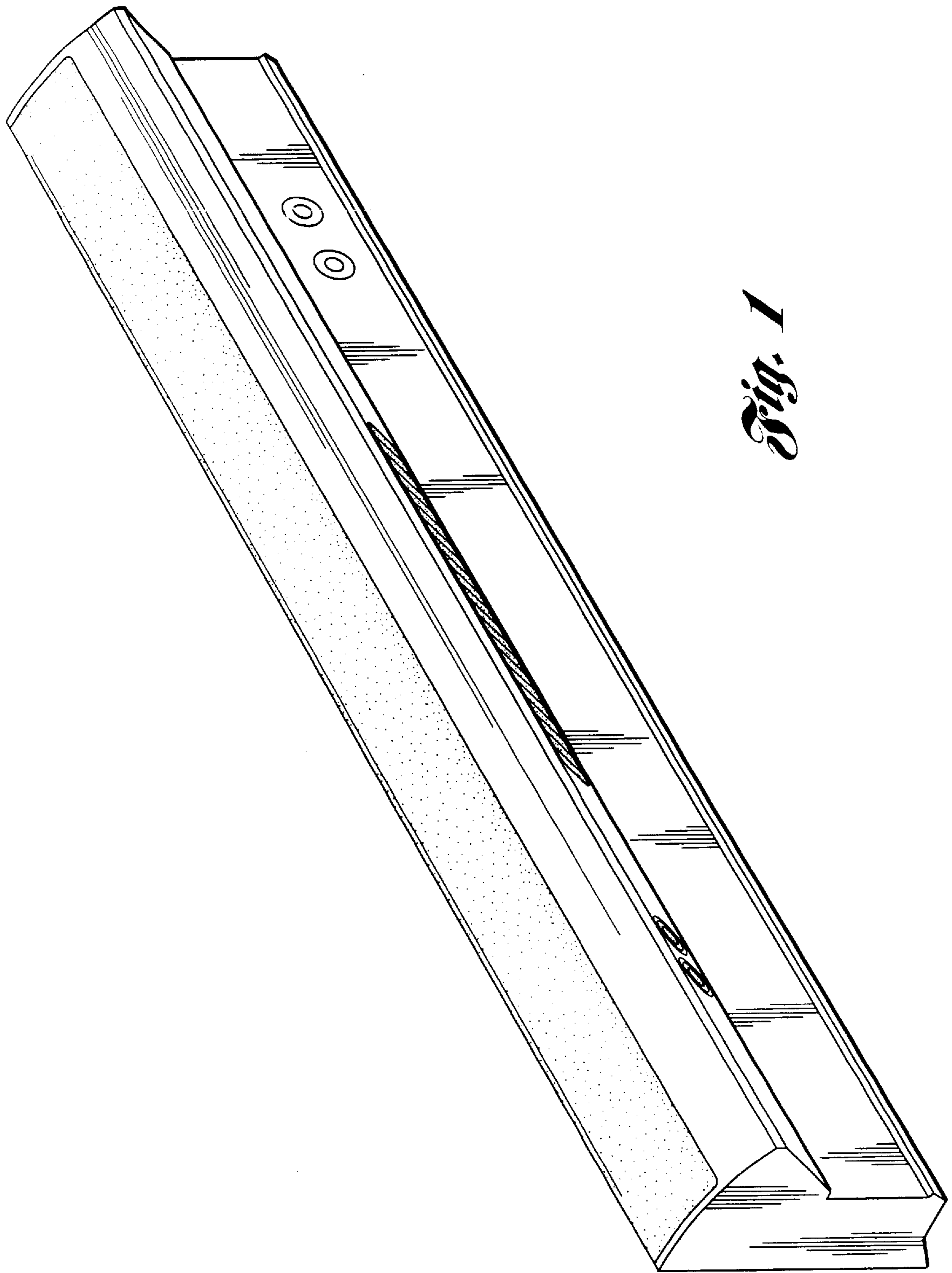


Fig. 1

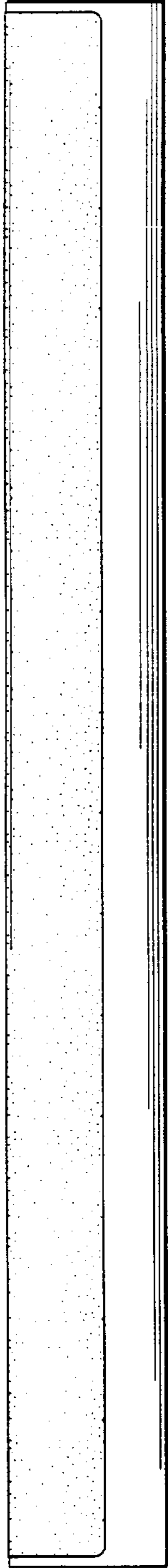


Fig. 2

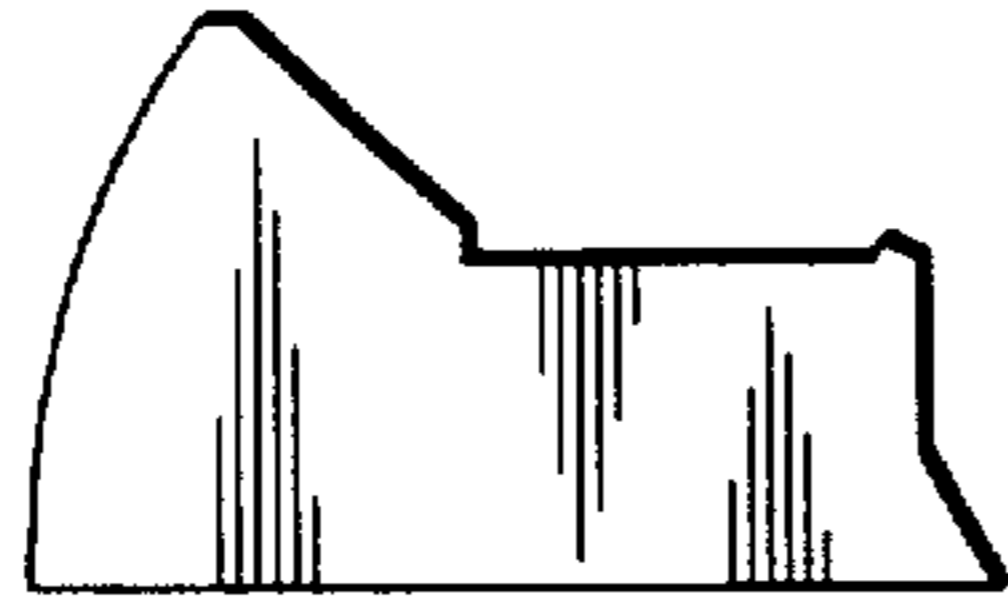


Fig. 3

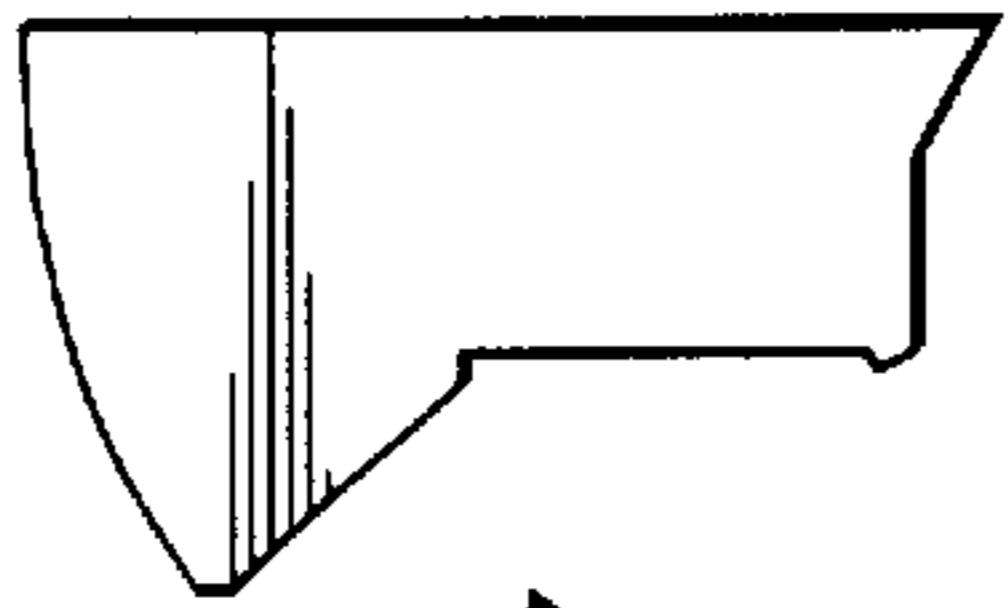


Fig. 4

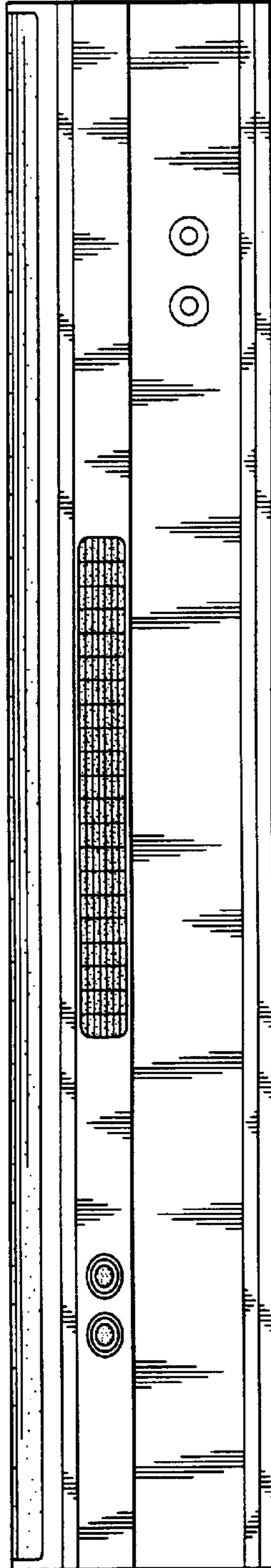


Fig. 5

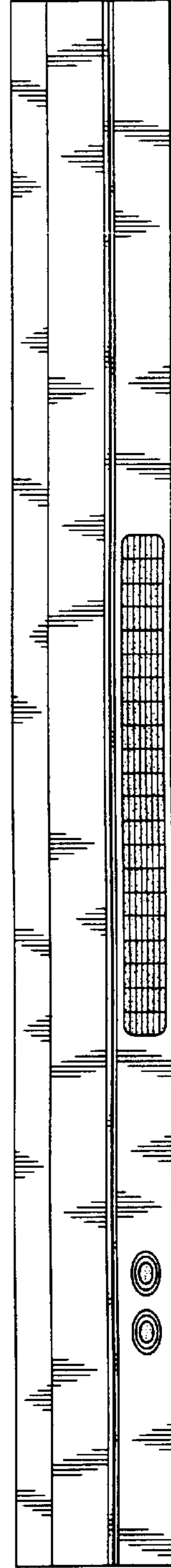


Fig. 6