



US00D450129B1

(12) **United States Design Patent**
Wentz

(10) **Patent No.:** **US D450,129 S**

(45) **Date of Patent:** **** Nov. 6, 2001**

(54) **MEDICATION DISPENSING DEVICE FOR
LOADING TABLETS AND CAPSULES INTO
SMALL BAGS**

5,752,371 5/1998 Mosley 53/570
5,765,342 * 6/1998 Jensen et al. 53/411
5,771,657 * 6/1998 Lasher et al. 53/55

(75) **Inventor:** **Bryan P. Wentz**, Salt Lake City, UT
(US)

* cited by examiner

Primary Examiner—Stella Reid

(73) **Assignee:** **Sanoviv, Inc.**, Salt Lake City, UT (US)

(74) *Attorney, Agent, or Firm*—Workman Nydegger &
Seeley

(**) **Term:** **14 Years**

(57) **CLAIM**

(21) **Appl. No.:** **29/134,046**

The ornamental design for a medication dispensing device
for loading tablets and capsules into small bags, as shown
and described.

(22) **Filed:** **Dec. 13, 2000**

(51) **LOC (7) Cl.** **24-01**

DESCRIPTION

(52) **U.S. Cl.** **D24/227**

(58) **Field of Search** D24/227, 229,
D24/230; 53/55, 152, 153, 202, 237, 242,
244, 247, 570

FIG. 1 is a perspective view of a medication dispensing unit
for loading tablets and capsules into small bags, showing my
new design;

FIG. 2 is a top plan view thereof;

FIG. 3 is a front elevational view thereof;

FIG. 4 is a rear elevational view thereof;

FIG. 5 is a bottom plan view thereof;

FIG. 6 is a left side elevational view thereof; and,

FIG. 7 is a right side elevational view thereof.

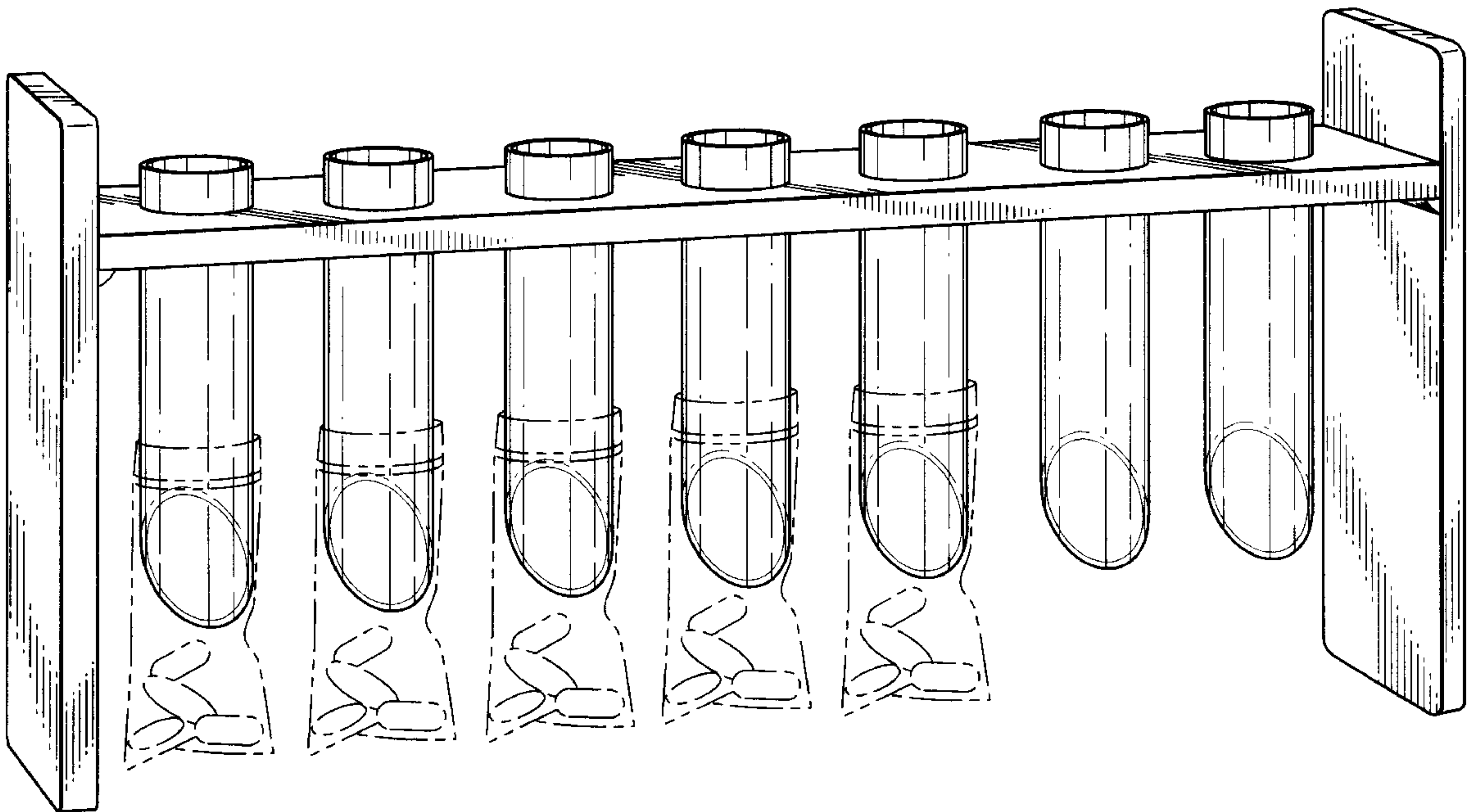
The broken line(s) which define the bounds of the claimed
design form no part thereof.

(56) **References Cited**

U.S. PATENT DOCUMENTS

3,139,713 * 7/1964 Merrill et al. 53/55
4,142,633 * 3/1979 Raghavachari et al. 206/366
4,674,259 * 6/1987 Hills 53/202
5,097,652 * 3/1992 Inamura et al. 53/493
5,321,932 * 6/1994 Sundberg 53/468
5,348,061 * 9/1994 Riley et al. 141/104

1 Claim, 4 Drawing Sheets



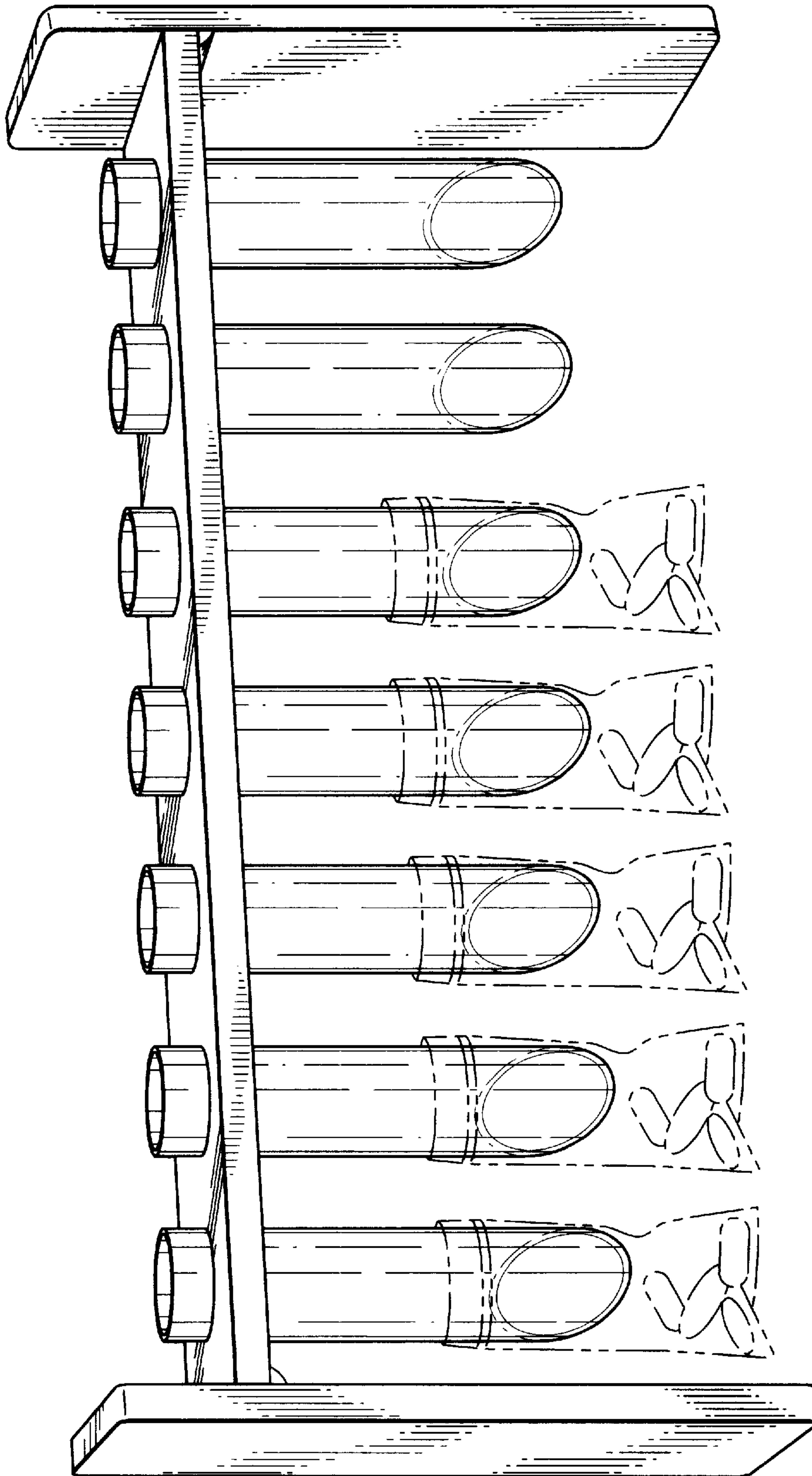


FIG. 1

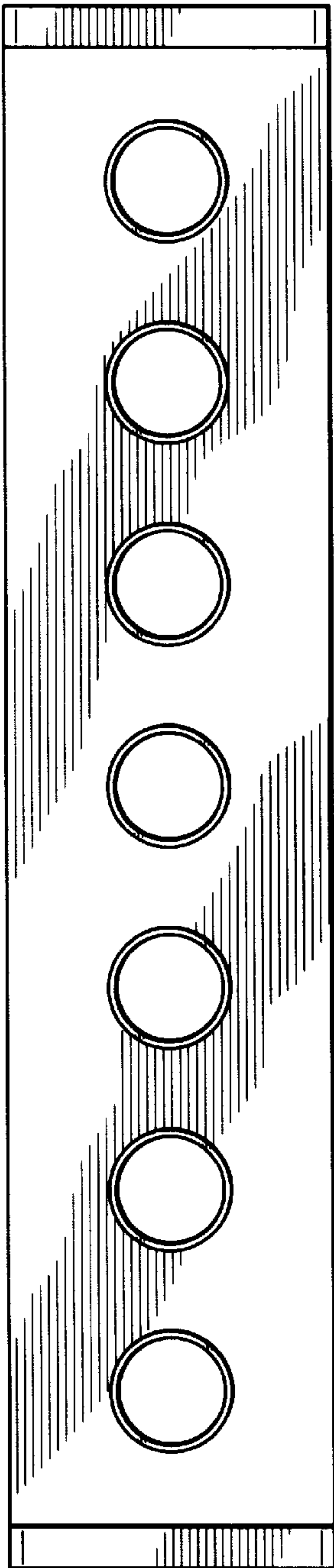


FIG. 2

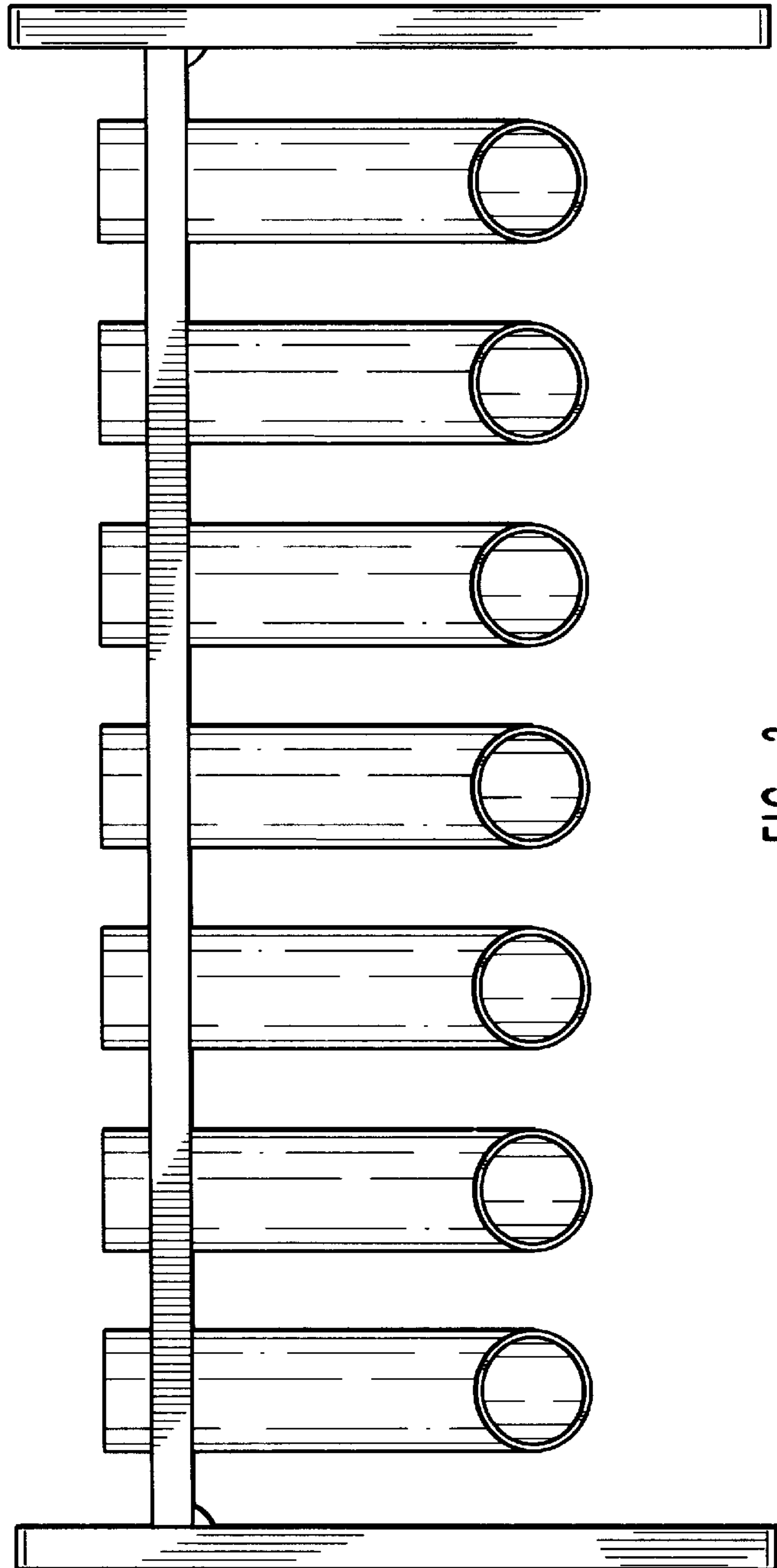


FIG. 3

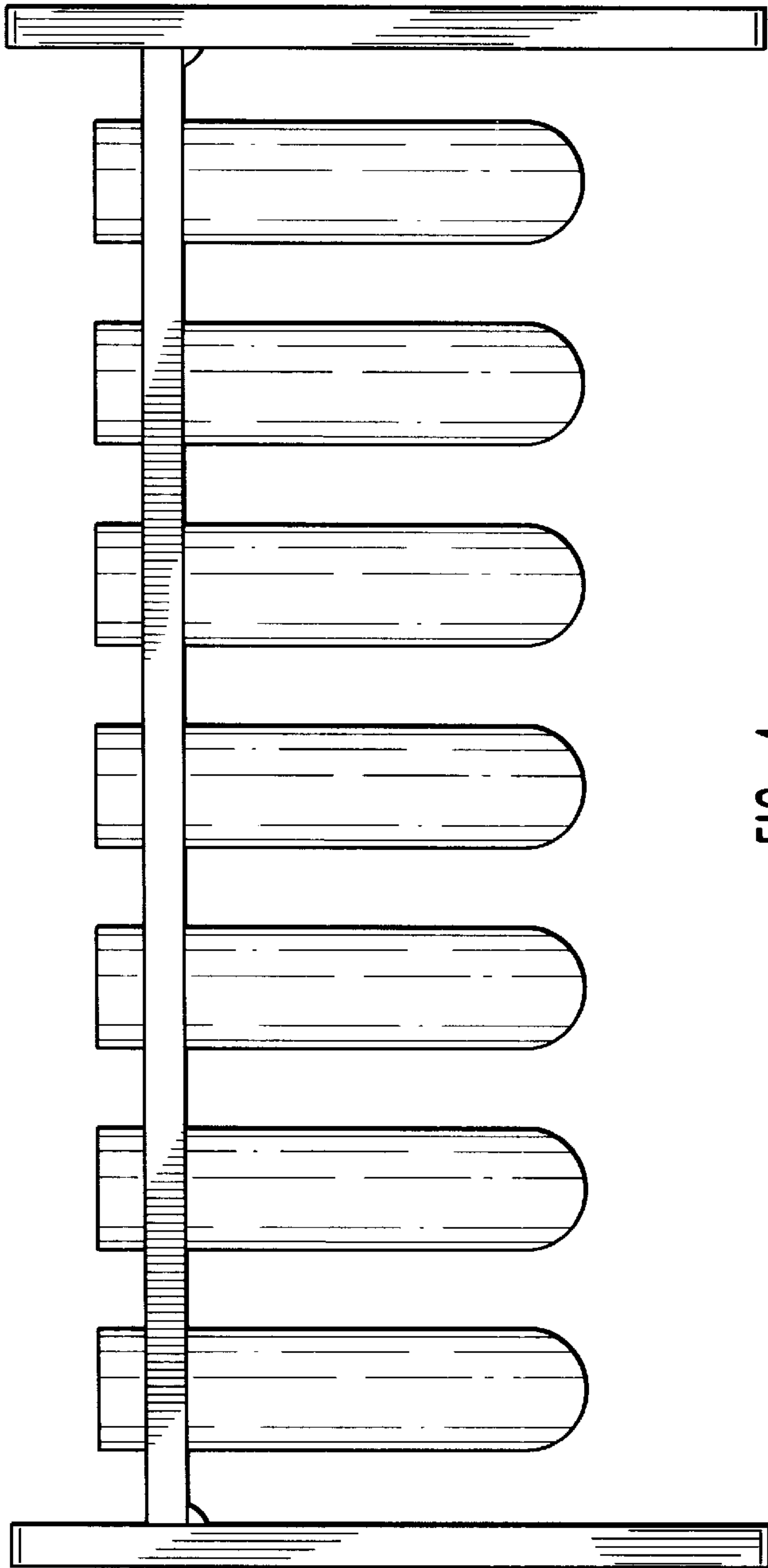


FIG. 4

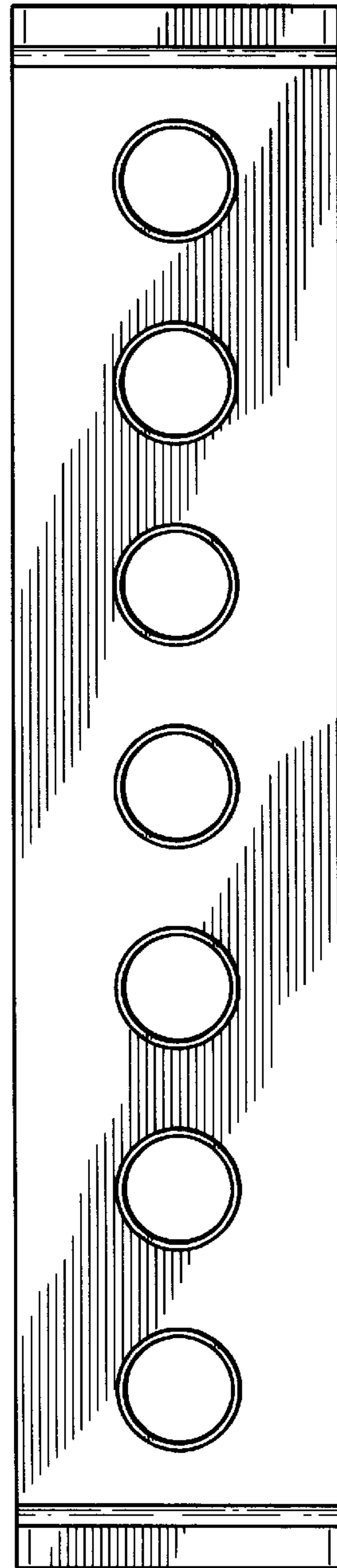


FIG. 5

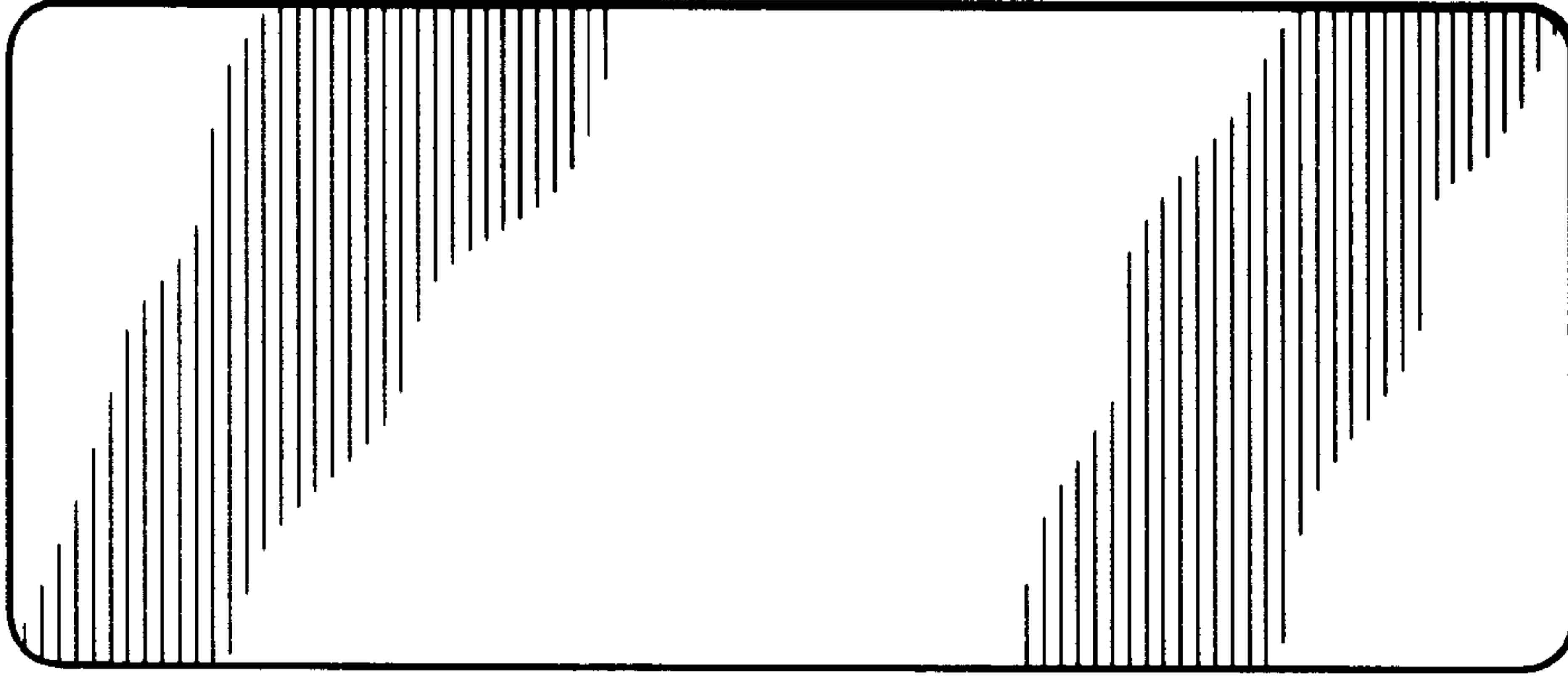


FIG. 7

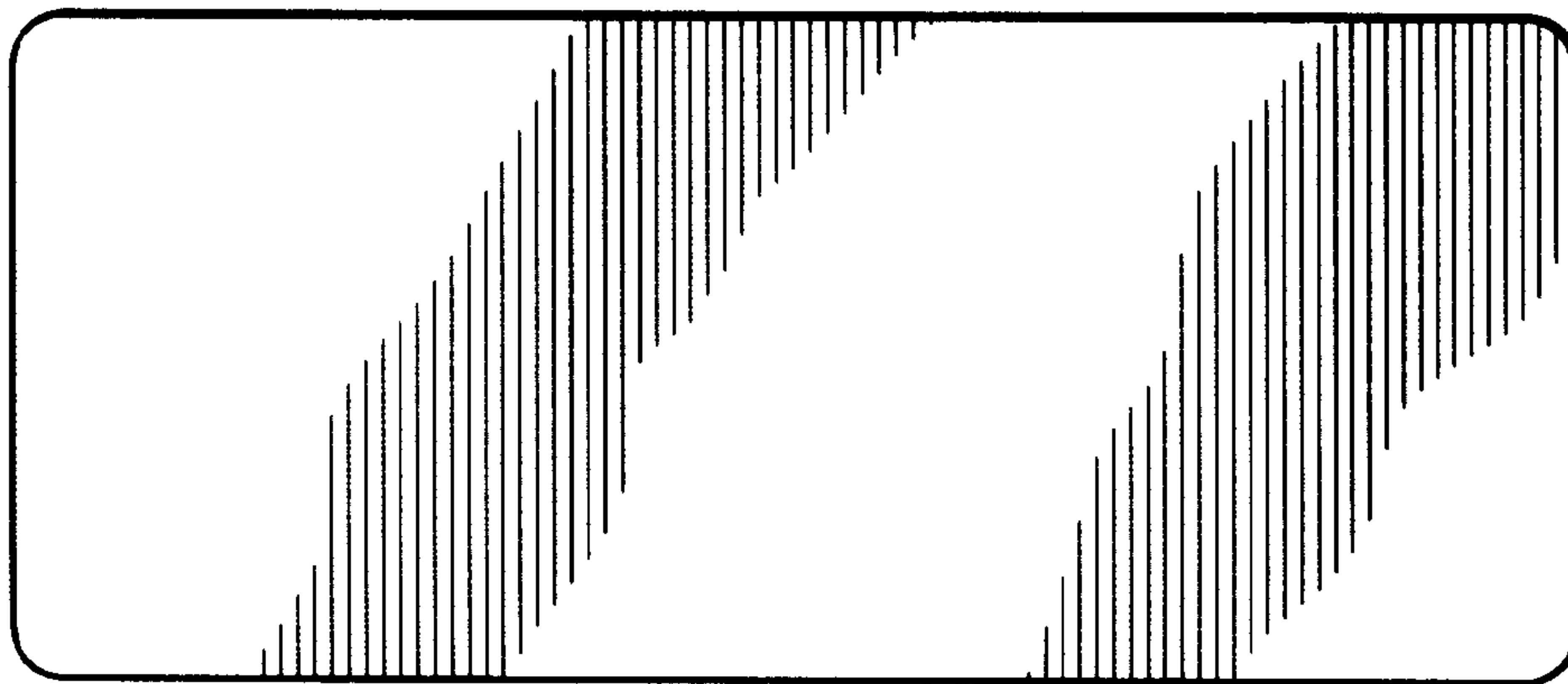


FIG. 6