



US00D450128B1

(12) **United States Design Patent**
Dawson

(10) **Patent No.:** **US D450,128 S**

(45) **Date of Patent:** **** Nov. 6, 2001**

(54) **FOOT BATH**

4,497,313 * 2/1985 Kurosawa 601/16

(76) **Inventor:** **Timothy Dawson**, 2321 S. Race St.,
Apt. 104, Denver, CO (US) 80210

* cited by examiner

(**) **Term:** **14 Years**

Primary Examiner—Stella Reid

(74) *Attorney, Agent, or Firm*—Charles C. Corbin

(21) **Appl. No.:** **29/134,279**

(57) **CLAIM**

(22) **Filed:** **Dec. 19, 2000**

I claim the ornamental design for a foot bath, as shown and described.

(51) **LOC (7) Cl.** **24-04**

DESCRIPTION

(52) **U.S. Cl.** **D24/213**

(58) **Field of Search** D24/213, 200;
601/154, 156, 157, 158

FIG. 1 is a front, upper right perspective view of a foot bath showing my new design;

FIG. 2 is a rear elevational view thereof;

FIG. 3 is a front elevational view thereof;

FIG. 4 is a bottom plan view thereof;

FIG. 5 is a side elevational view thereof; and,

FIG. 6 is a top plan view thereof.

The broken line showing is for illustrative purposes only and forms no part of the claimed design.

(56) **References Cited**

U.S. PATENT DOCUMENTS

D. 330,426	*	10/1992	Elkerbout	D24/213
D. 364,466	*	11/1995	Assmann et al.	D24/213
D. 390,963	*	2/1998	Scholpp	D24/213
D. 405,535	*	2/1999	Schulz	D24/213
D. 419,682	*	1/2000	Lie	D24/213

1 Claim, 3 Drawing Sheets

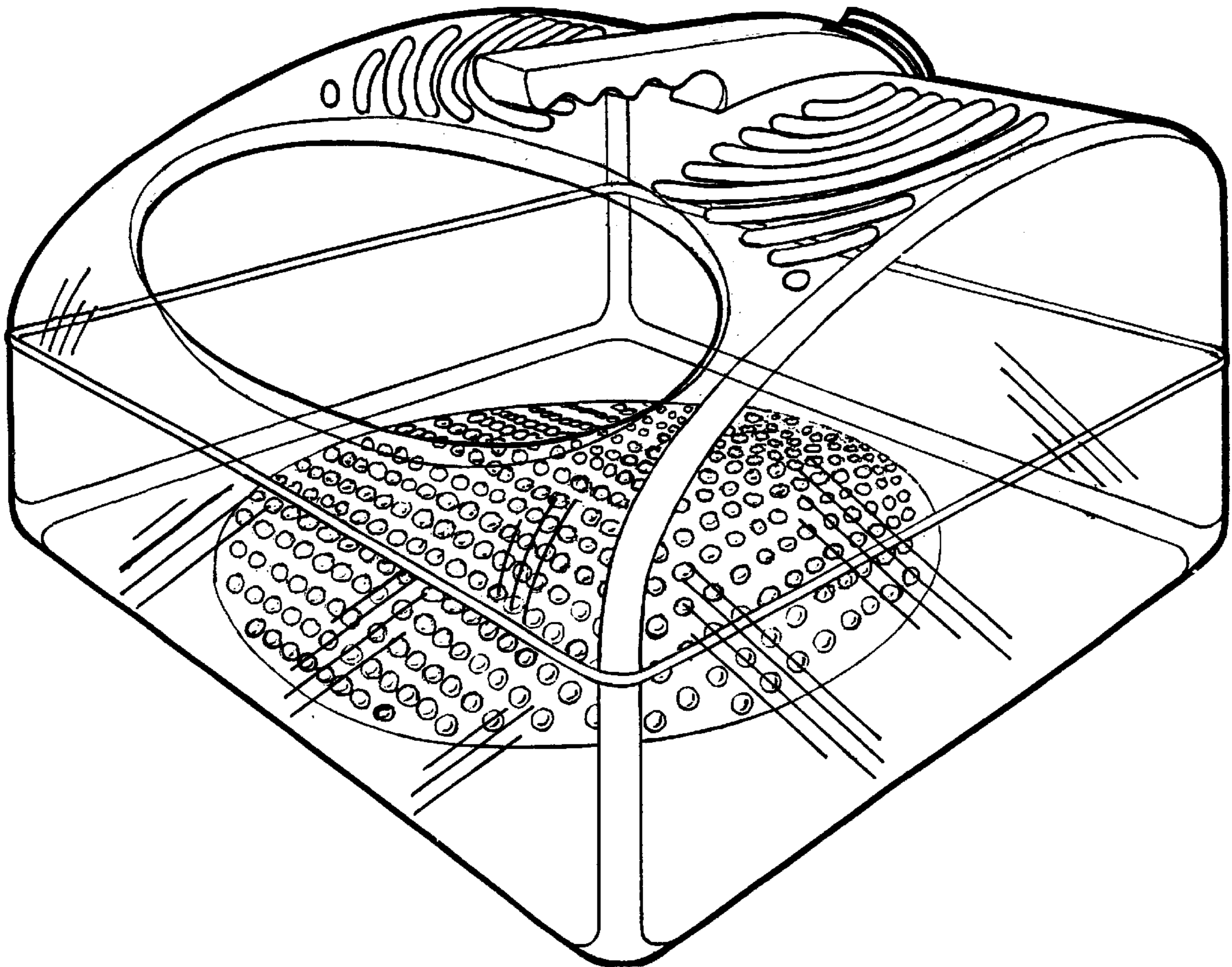


FIG. 1

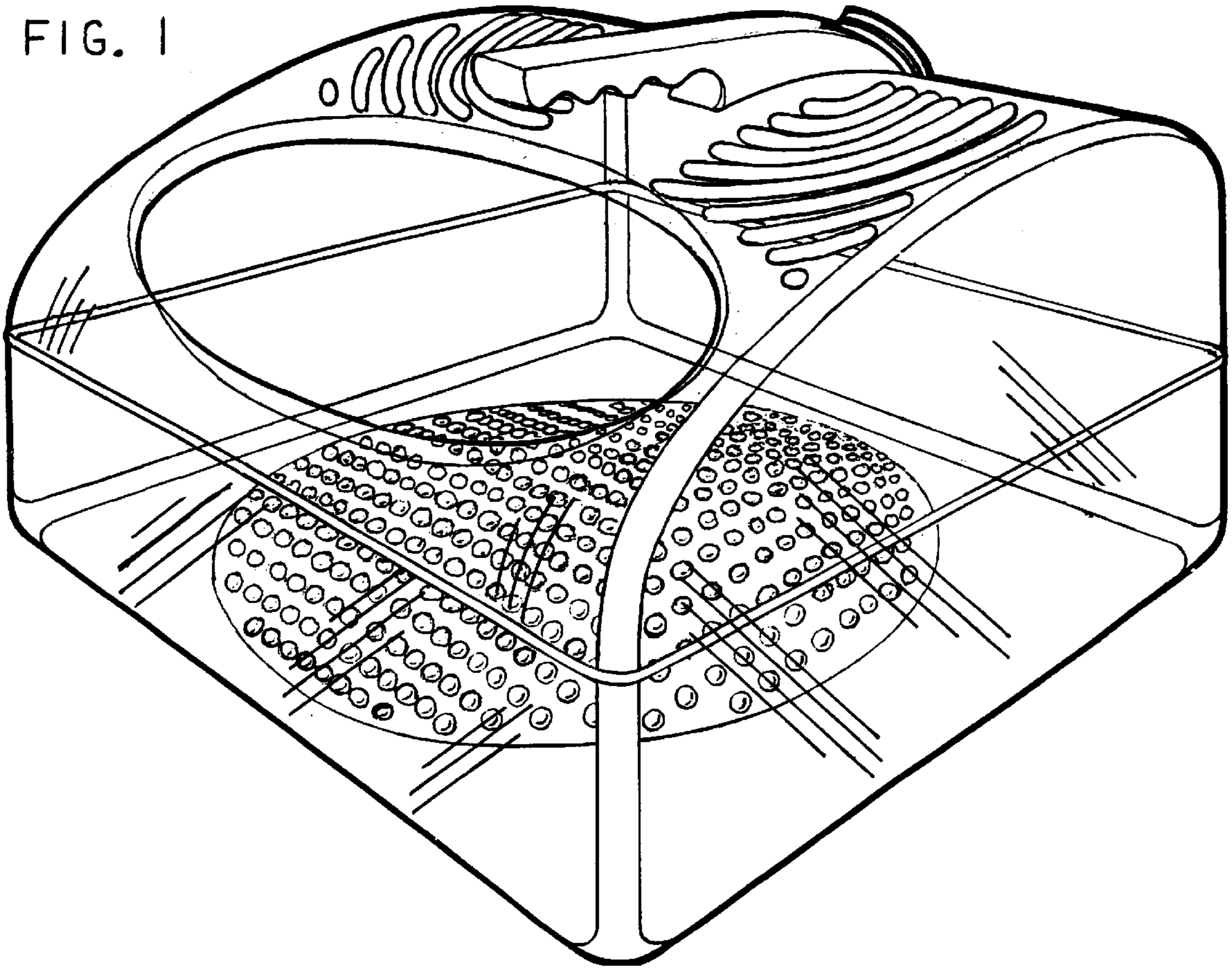


FIG. 2

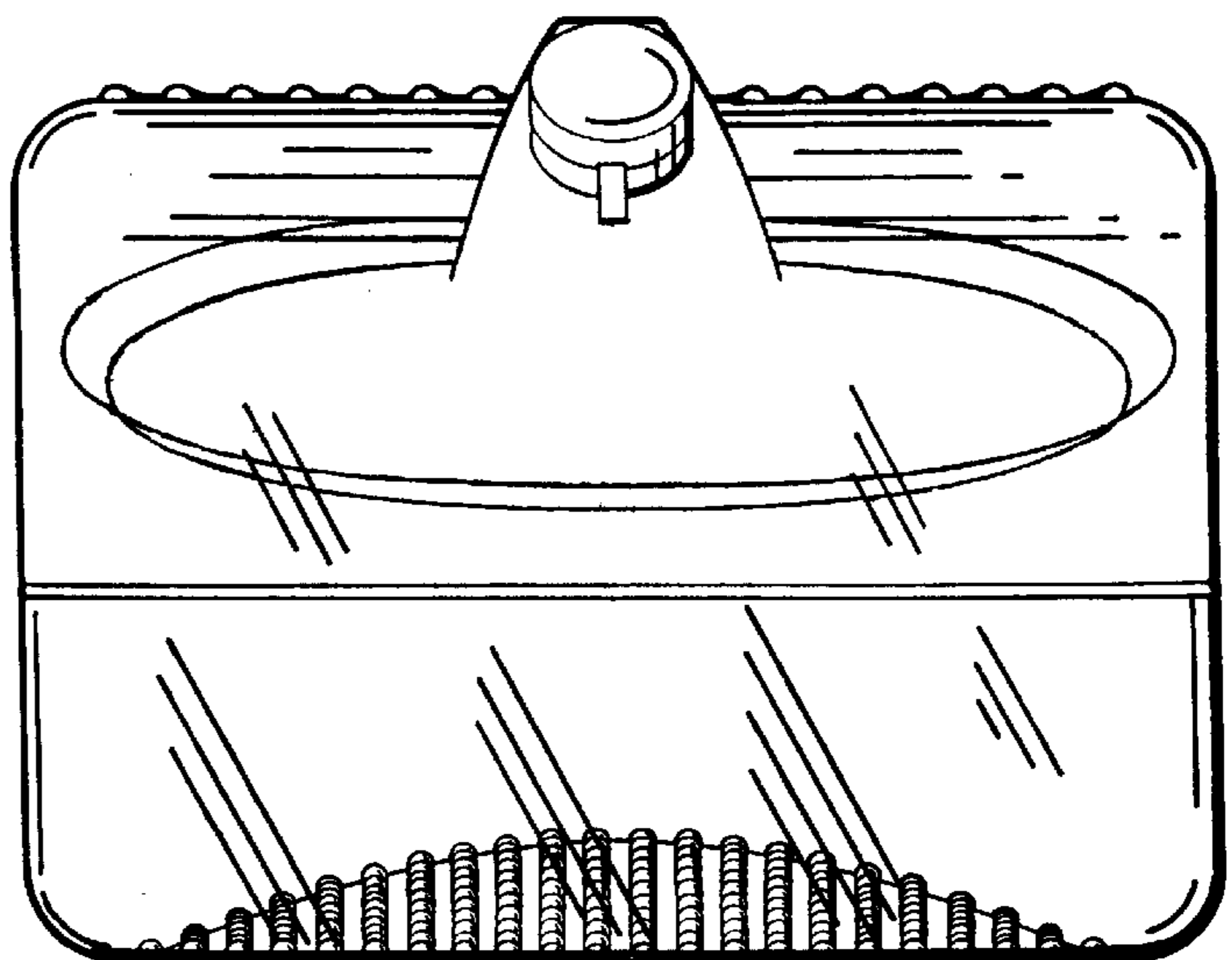


FIG. 3

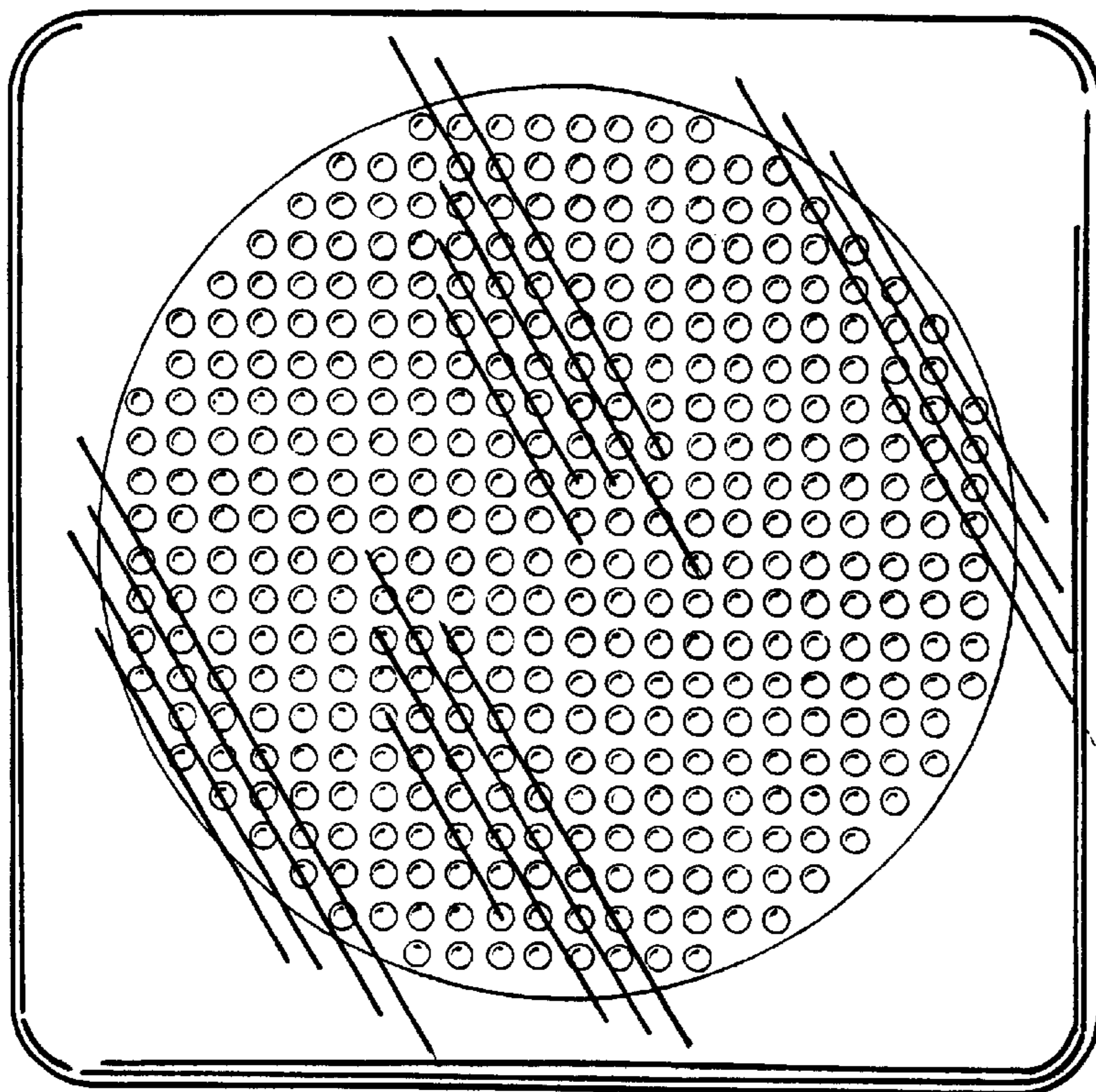
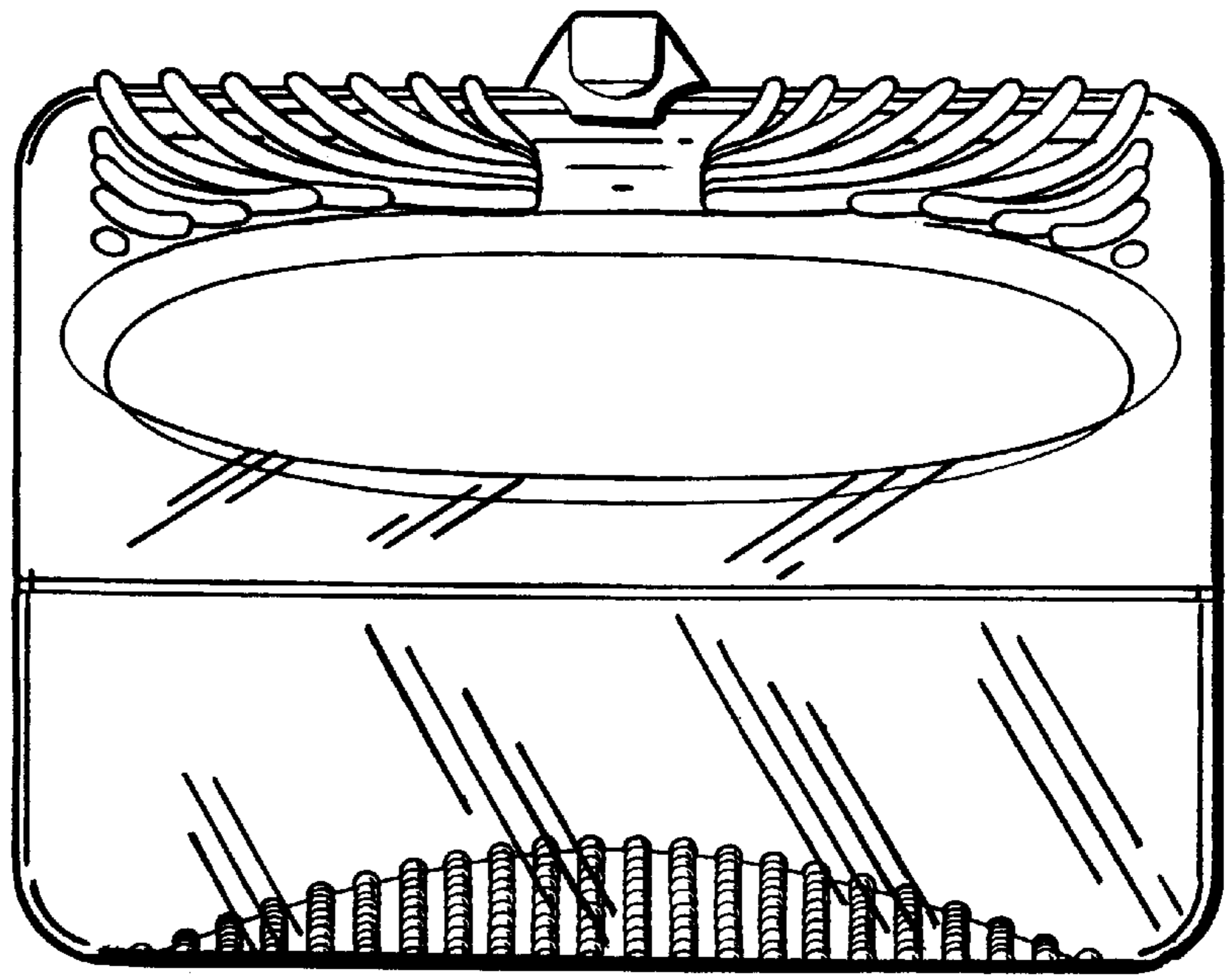


FIG. 4

FIG. 5

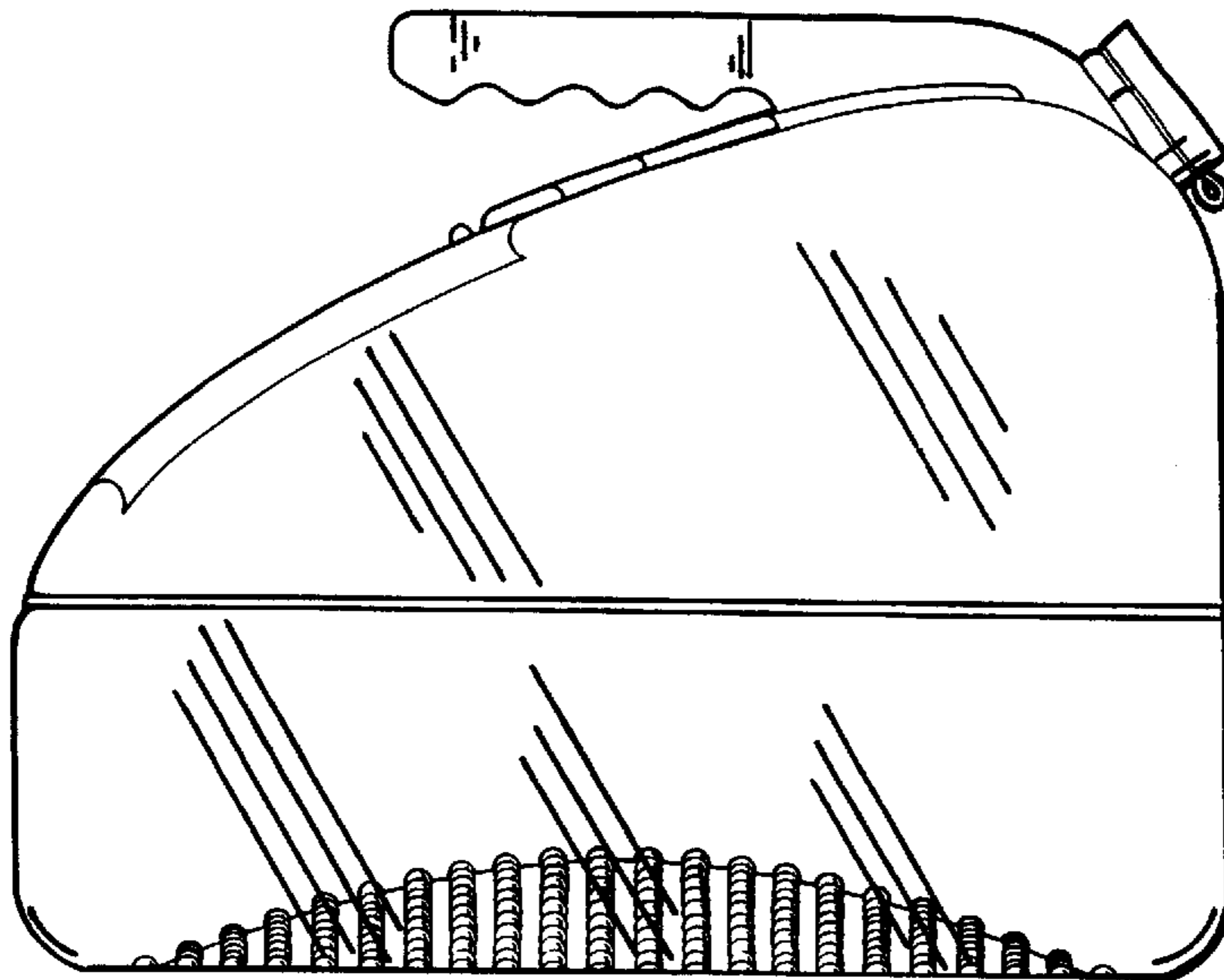


FIG. 6

