



US00D450127B1

(12) **United States Design Patent**  
**Trujillo**

(10) **Patent No.:** **US D450,127 S**

(45) **Date of Patent:** **\*\* Nov. 6, 2001**

(54) **COMBINED STRAW AND PACIFIER**

5,275,619 \* 1/1994 Engebretson et al. .... 606/236

(76) Inventor: **Matthew A Trujillo**, P.O. Box 385,  
Magna, UT (US) 84044

\* cited by examiner

*Primary Examiner*—Stella Reid

(\*\*) Term: **14 Years**

(57) **CLAIM**

(21) Appl. No.: **29/139,826**

The ornamental design for a combined straw and pacifier, as shown and described.

(22) Filed: **Apr. 6, 2001**

**DESCRIPTION**

(51) **LOC (7) Cl.** ..... **24-04**

(52) **U.S. Cl.** ..... **D24/194; D24/195**

(58) **Field of Search** ..... D24/194, 193,  
D24/195; 606/234, 235, 236; D7/300.2

FIG. 1 is a front elevational view of the combined straw and pacifier of the present invention;

FIG. 2 is a rear elevational view of the combined straw and pacifier of FIG. 1;

FIG. 3 is a left side elevational view of the combined straw and pacifier of FIG. 1, the right view being a mirror image thereof;

FIG. 4 is a top plan view of the combined straw and pacifier of FIG. 1;

FIG. 5 is a bottom plan view of the combined straw and pacifier of FIG. 1; and,

FIG. 6 is a top, front, right side perspective view of the combined straw and pacifier of FIG. 1.

The inside of the hollow straw visible in FIG. 5 is plain and unornamental and forms no part of the claimed design

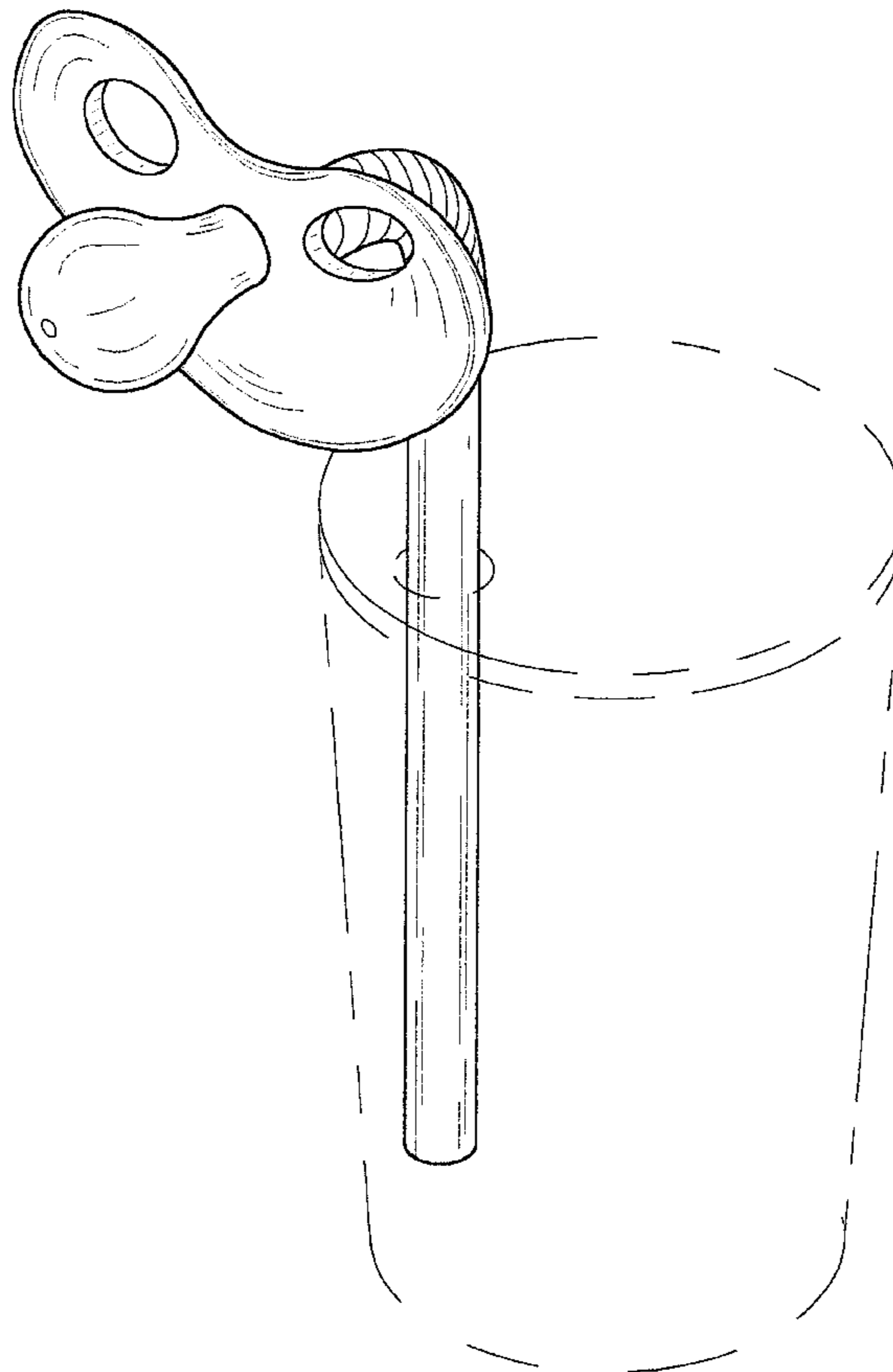
The broken lines showing of a glass and lid in FIG. 6 is for illustrative purposes only and forms no part of the claimed design.

(56) **References Cited**

**U.S. PATENT DOCUMENTS**

224,557	2/1880	Potter .	
227,075	4/1880	Thompson .	
D. 331,628	* 12/1992	Dodson et al. ....	D24/195
D. 337,386	* 7/1993	Bierend .....	D24/194
D. 352,416	* 11/1994	Dutton .....	D7/300.2
D. 375,793	* 11/1996	Owen .....	D24/195
D. 387,868	12/1997	Wilburn et al. .	
D. 439,787	* 4/2001	Slater .....	D7/300.2
D. 444,022	* 6/2001	Katsukawa .....	D7/300.2
3,044,650	7/1962	Oltion et al. .	
4,153,170	5/1979	Aquarian .	
4,554,919	* 11/1985	Hubert .....	606/234
4,969,564	11/1990	Cohen et al. .	

**1 Claim, 4 Drawing Sheets**



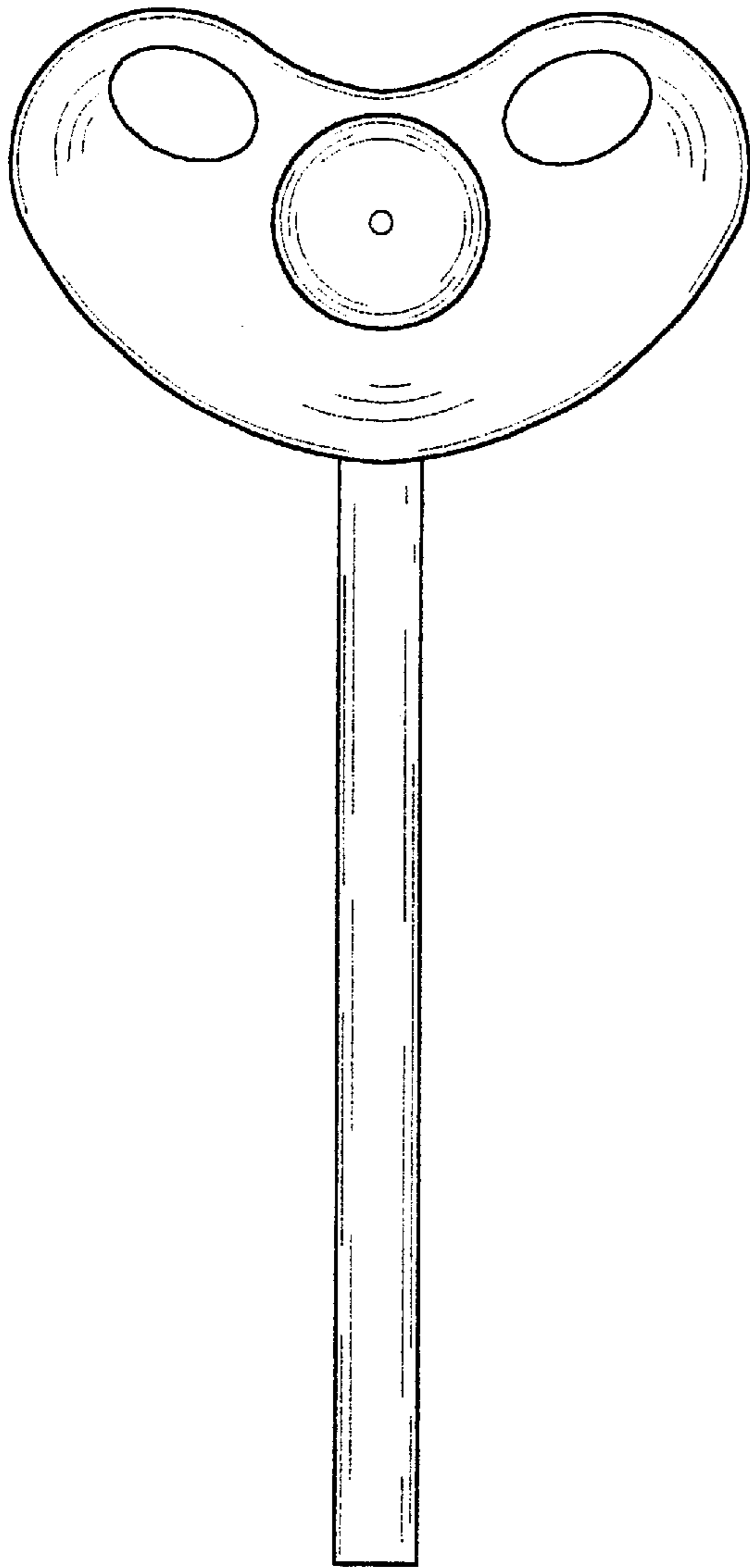


FIG. 1

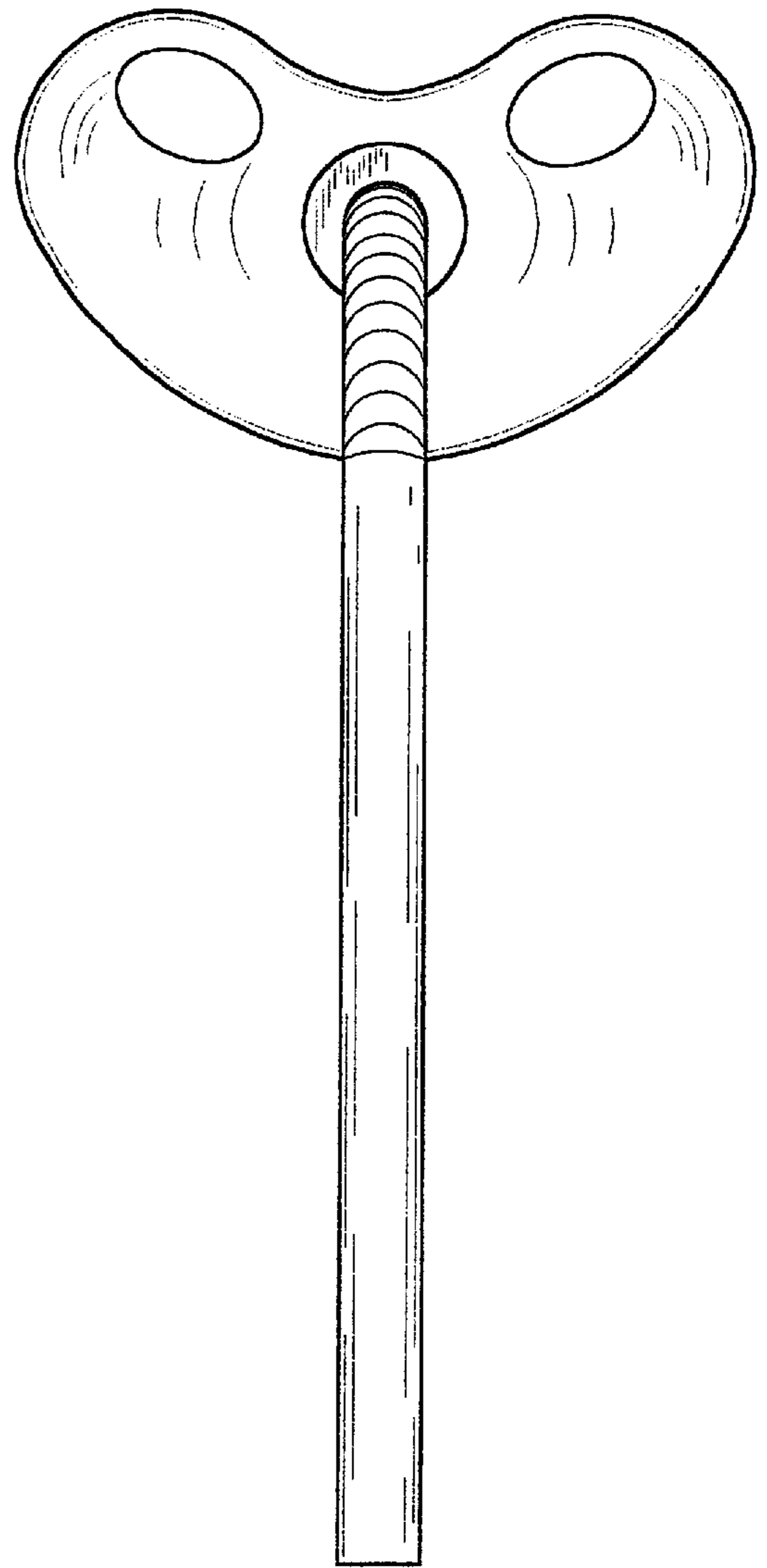


FIG. 2

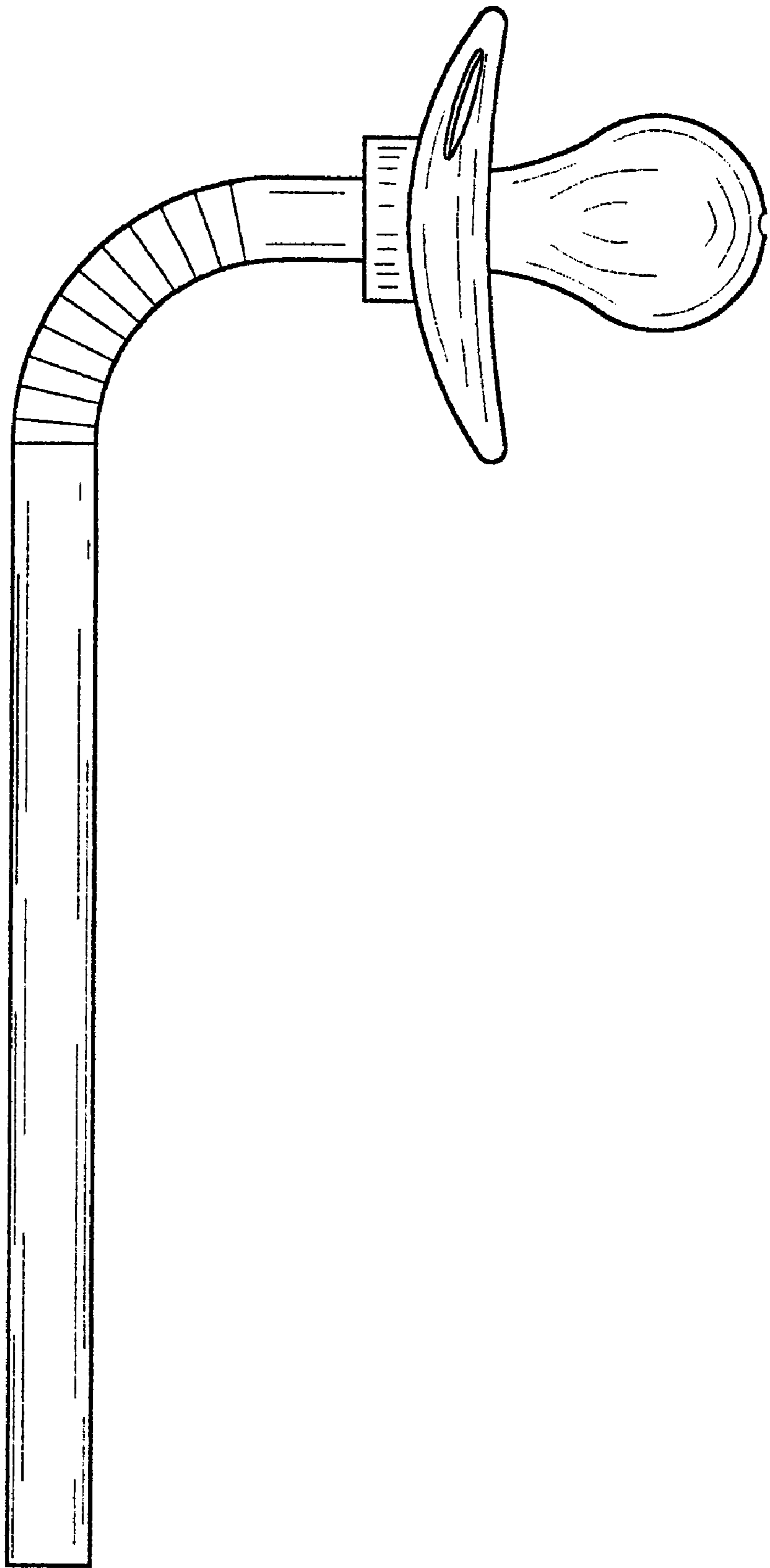
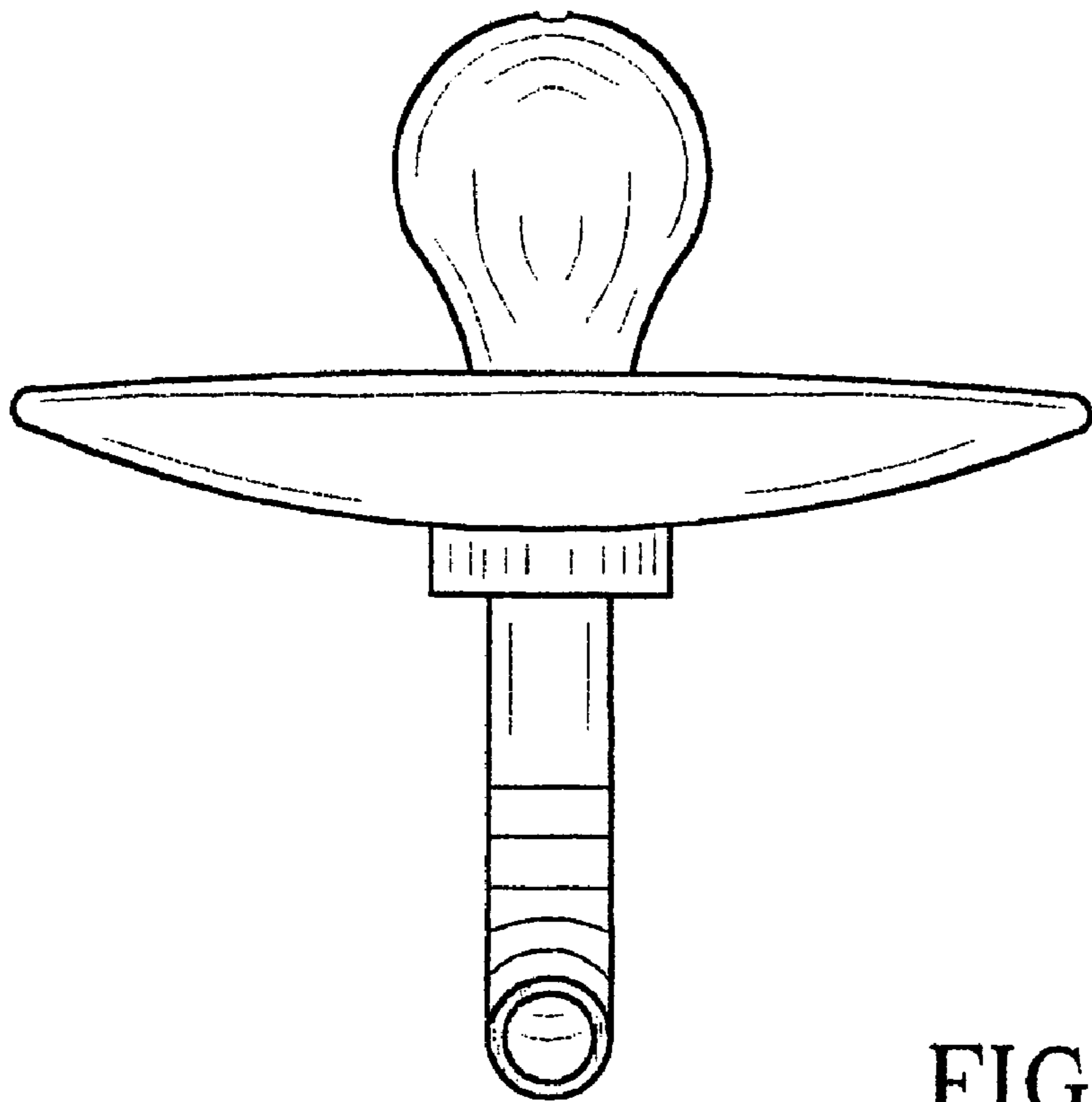
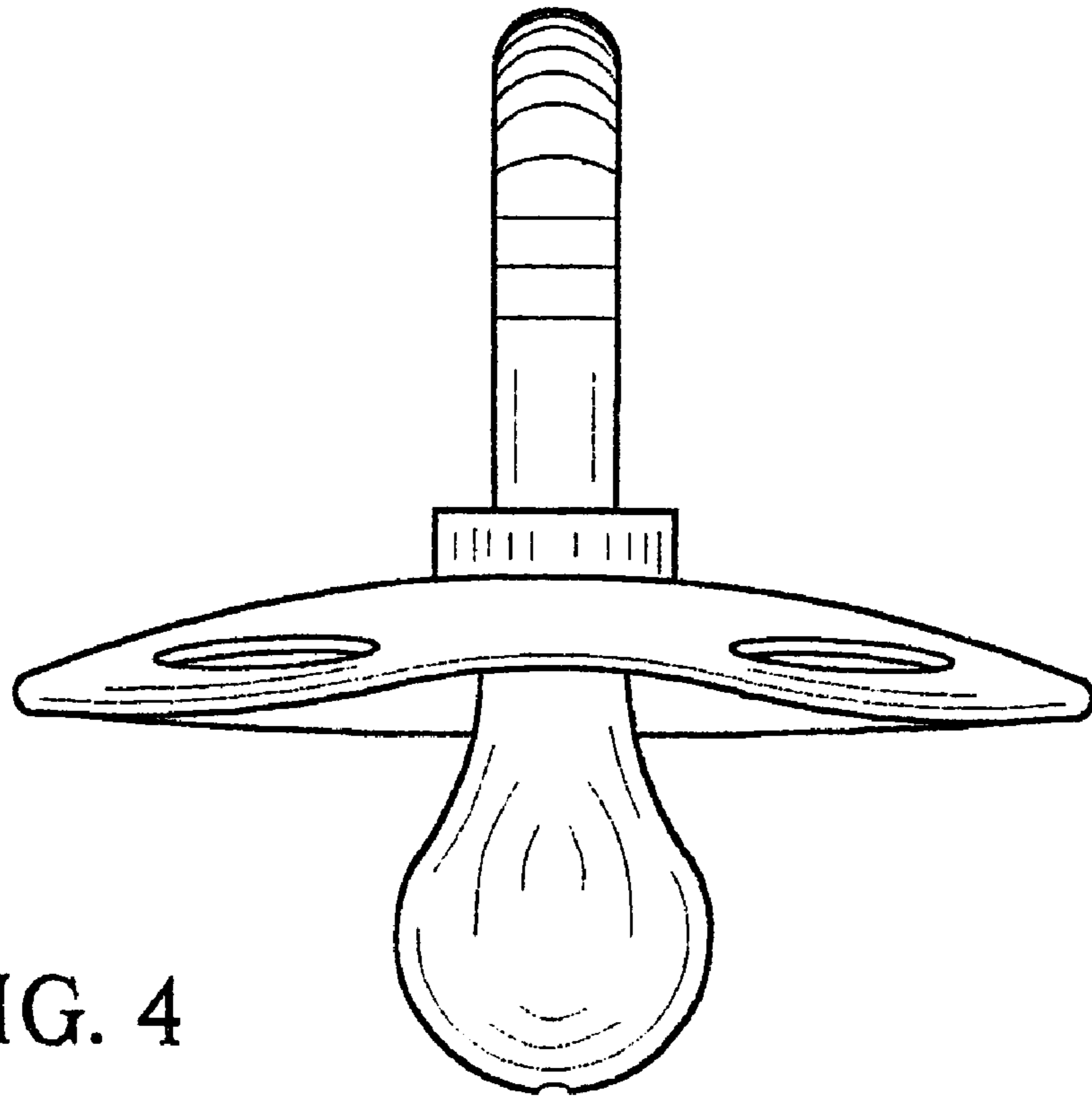


FIG. 3



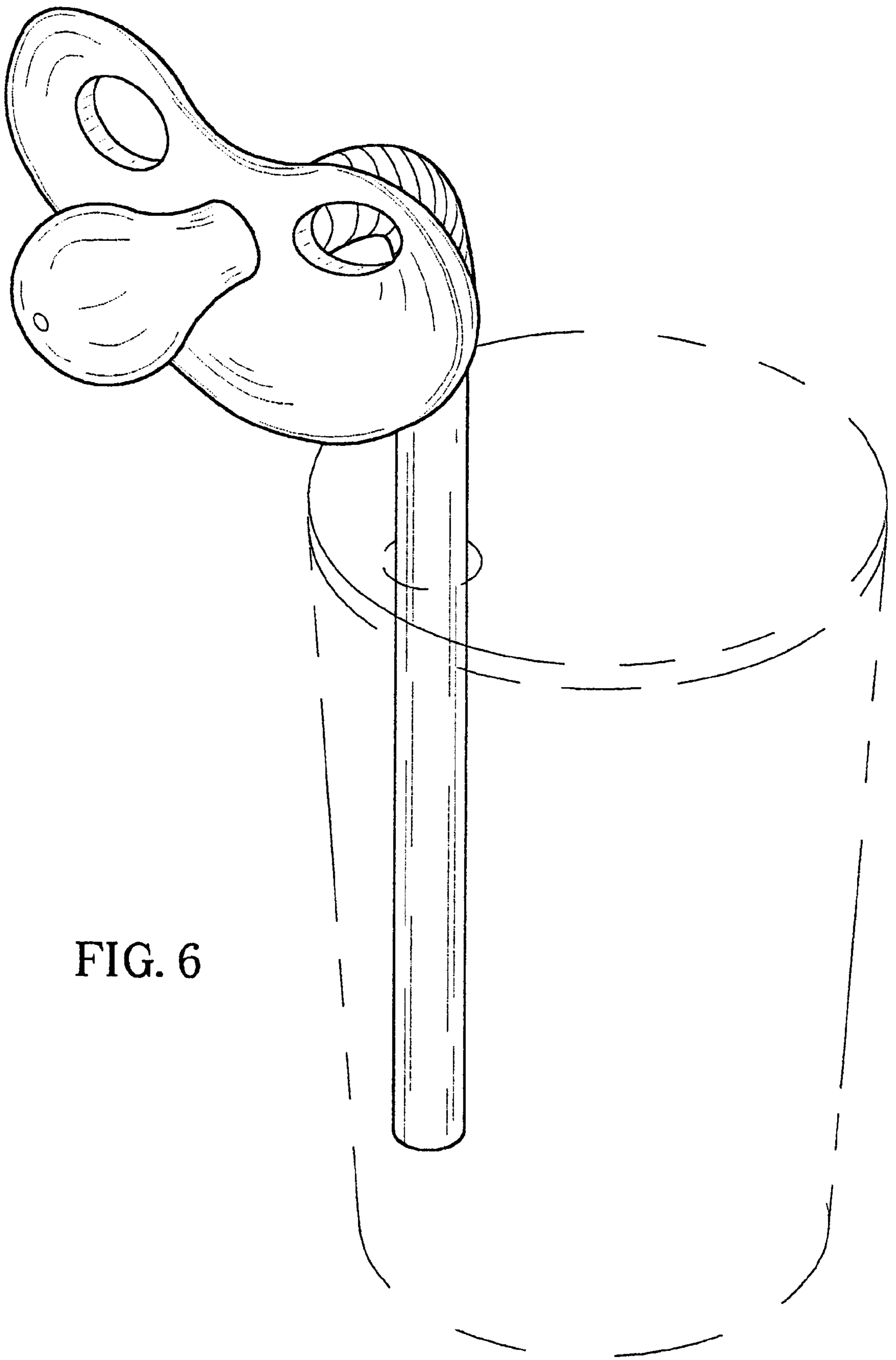


FIG. 6