



US00D450124B1

(12) **United States Design Patent**
Niles et al.

(10) **Patent No.:** **US D450,124 S**

(45) **Date of Patent:** **** Nov. 6, 2001**

(54) **FLOW BASED INCENTIVE SPIROMETER**

(75) Inventors: **Rex A. Niles**, Oneida; **Stephen D. Diehl**, Waterville; **Patrick W. Olin**, Vernon Center; **Deborah A. Laun**, Syracuse; **David T. Middleton, Jr.**, Skaneateles, all of NY (US)

(73) Assignee: **DHD Healthcare Corporation**, Wampsville, NY (US)

(**) Term: **14 Years**

(21) Appl. No.: **29/135,741**

(22) Filed: **Jan. 18, 2001**

(51) **LOC (7) Cl.** **24-01**

(52) **U.S. Cl.** **D24/164**

(58) **Field of Search** D10/83, 96; D24/110, D24/164, 186; 600/538-543, 533; 128/204.24

(56) **References Cited**

U.S. PATENT DOCUMENTS

5,984,873 11/1999 Crumb et al. .

6,113,549 * 9/2000 Johnson 600/529

* cited by examiner

Primary Examiner—Antoine Duval Davis

(74) *Attorney, Agent, or Firm*—August E. Roehrig, Jr.; Hancock & Estabrook, LLP

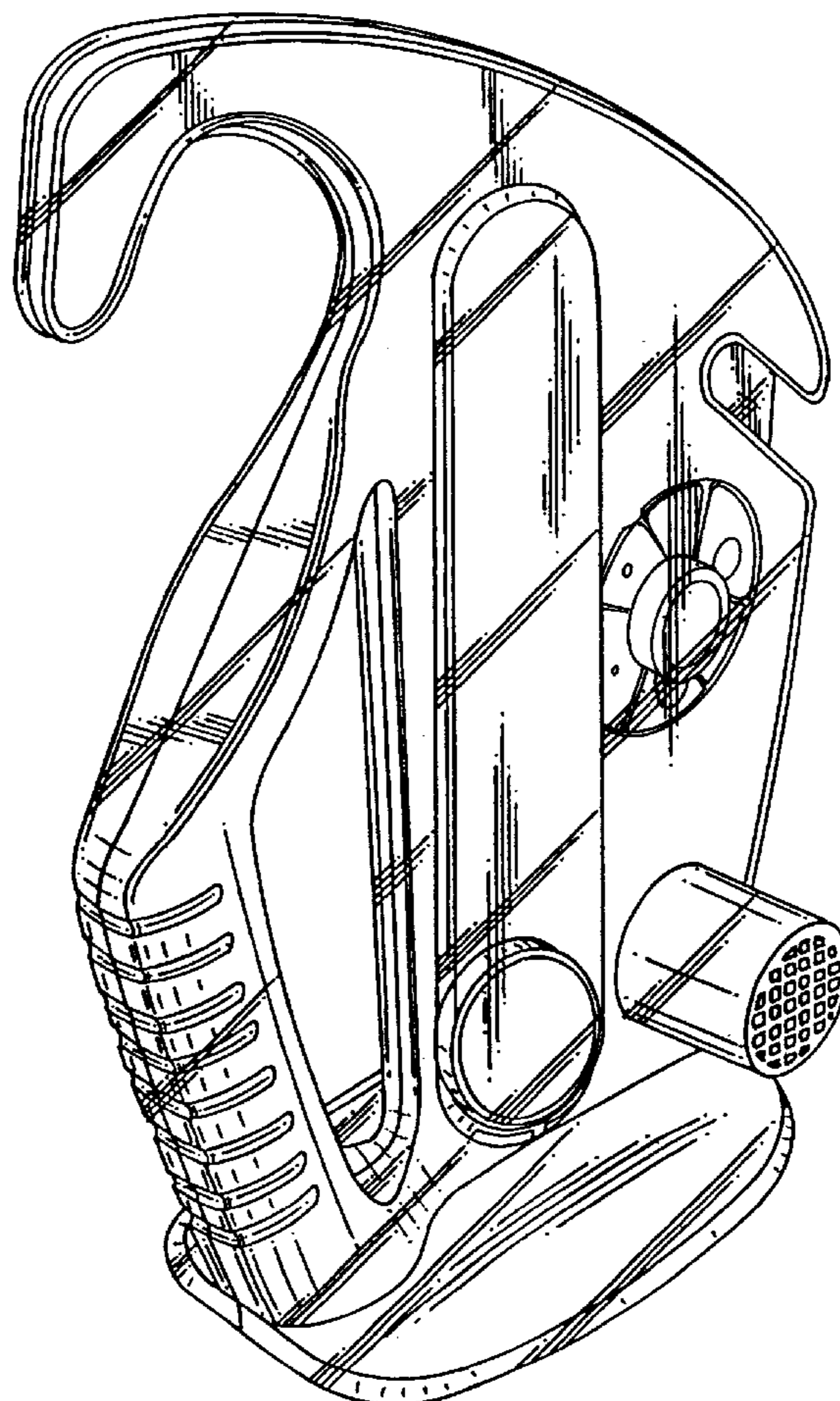
(57) **CLAIM**

The ornamental design for a flow based incentive spirometer, as shown and described.

DESCRIPTION

FIG. 1 is a frontal perspective view of the flow based incentive spirometer;
FIG. 2 is a front elevational view of the flow based incentive spirometer;
FIG. 3 is a rear elevational view of the flow based incentive spirometer;
FIG. 4 is a top plan view of the flow based incentive spirometer;
FIG. 5 is a left side elevational view of the flow based incentive spirometer;
FIG. 6 is a right side elevational view of the flow based incentive spirometer; and,
FIG. 7 is a bottom plan view of the flow based incentive spirometer as illustrated in FIG. 1.

1 Claim, 4 Drawing Sheets



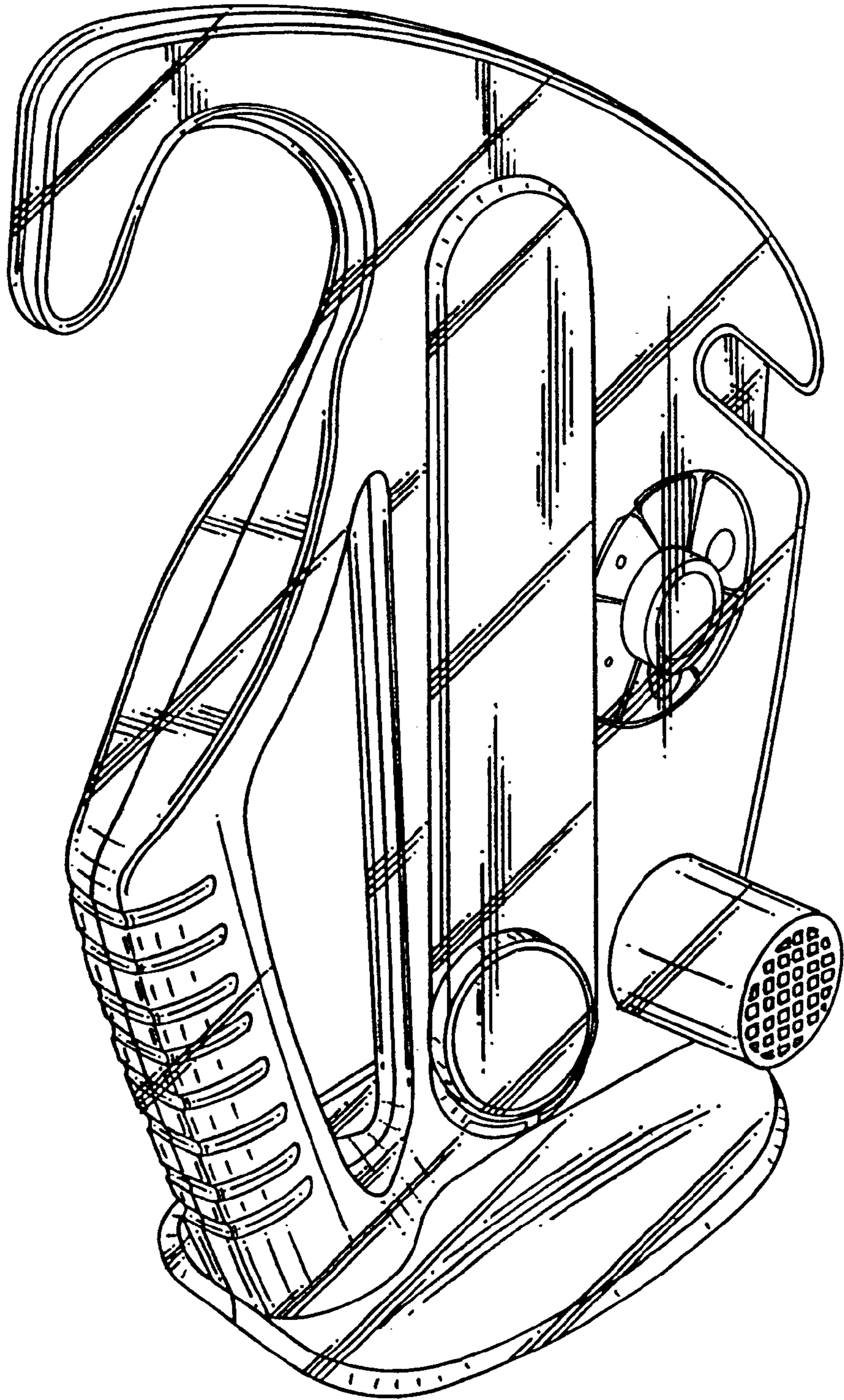


FIG. 1

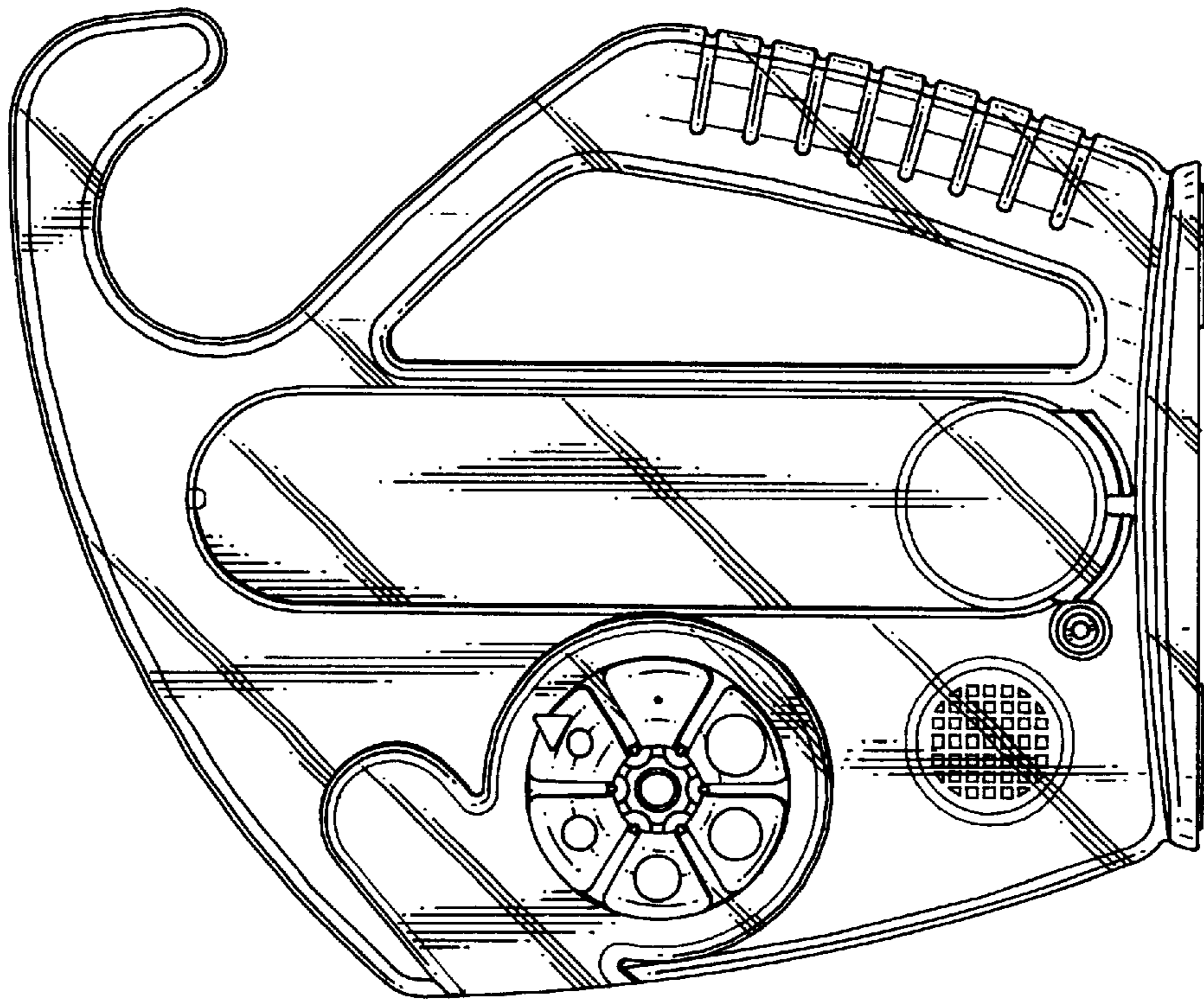


FIG. 3

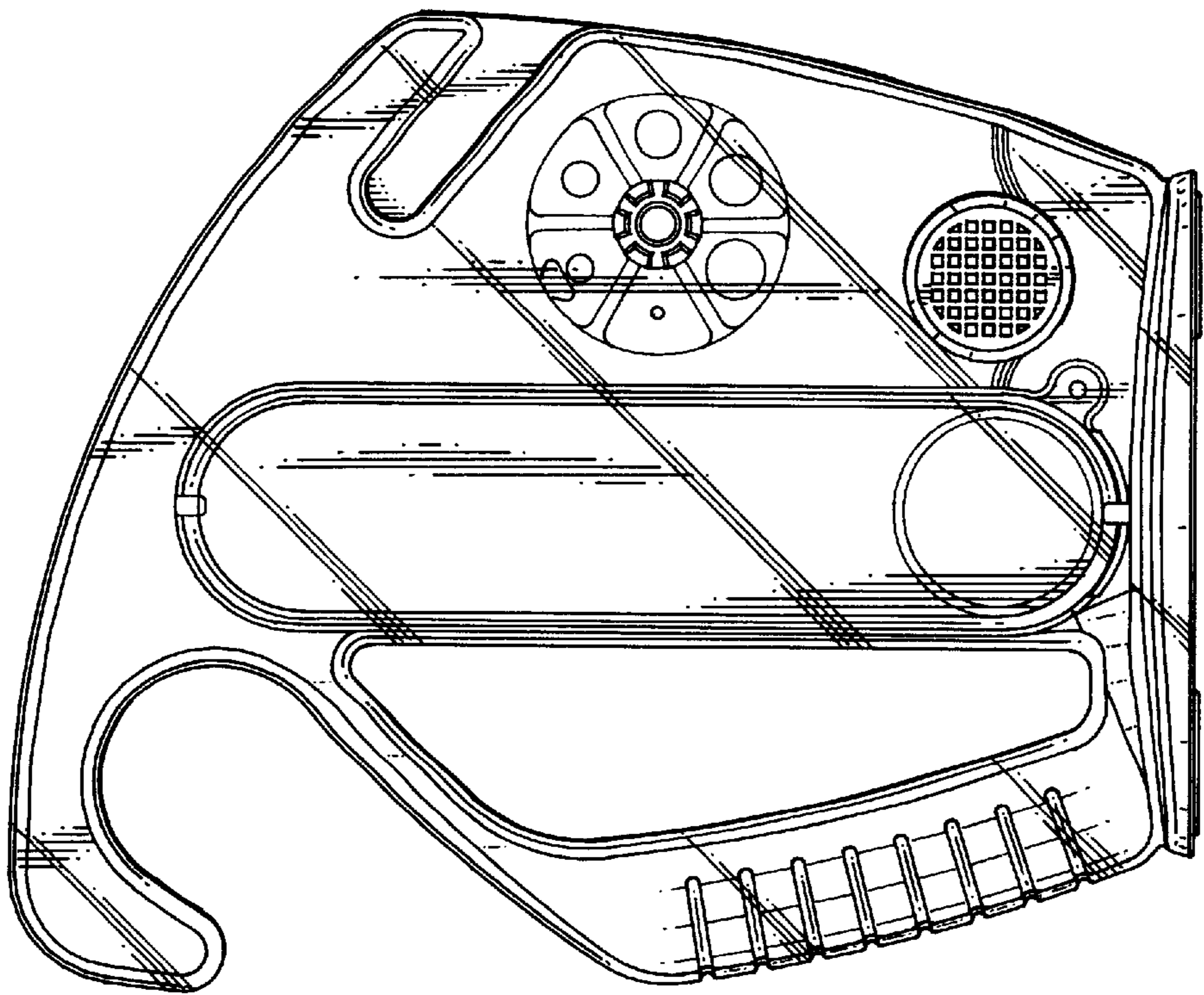


FIG. 2

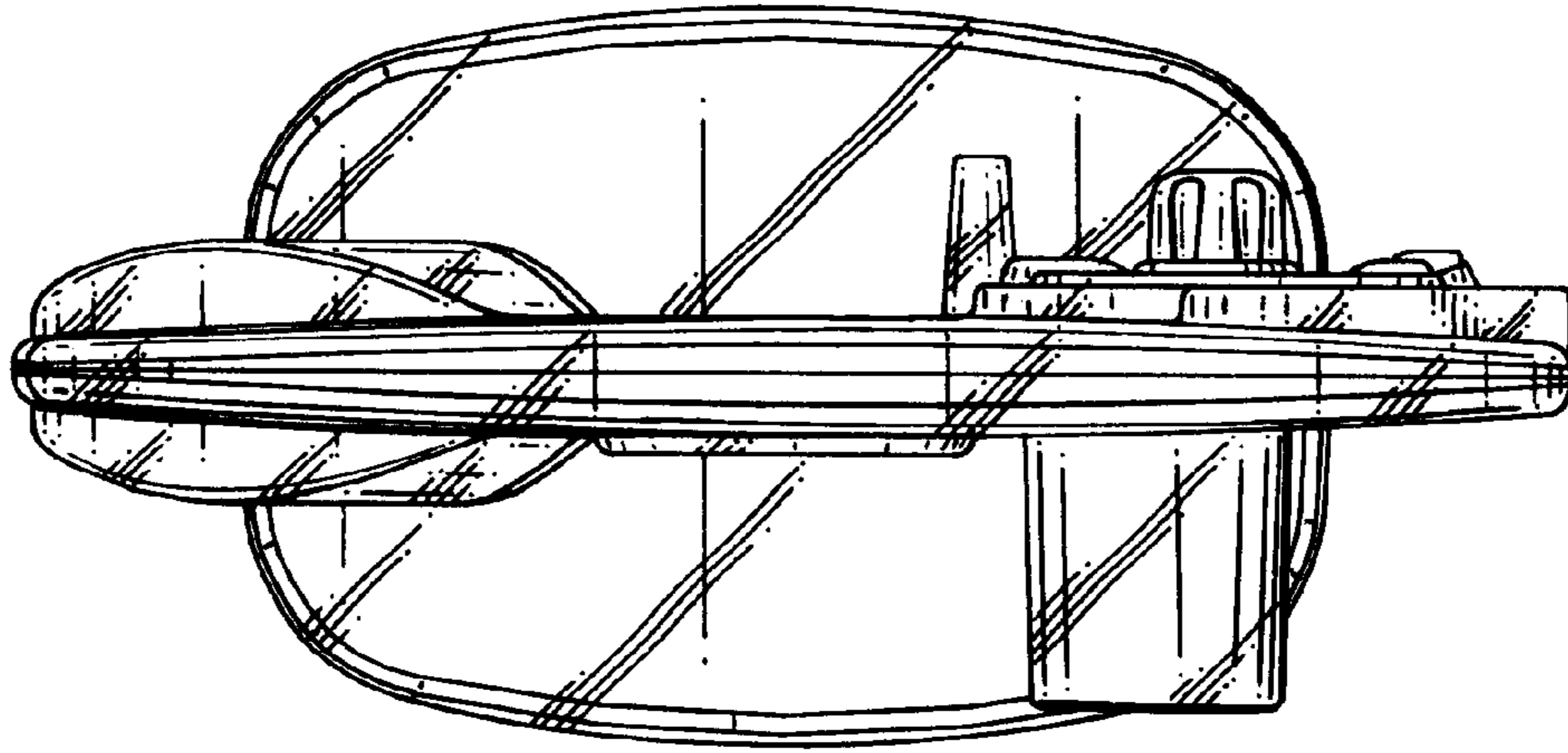


FIG. 4

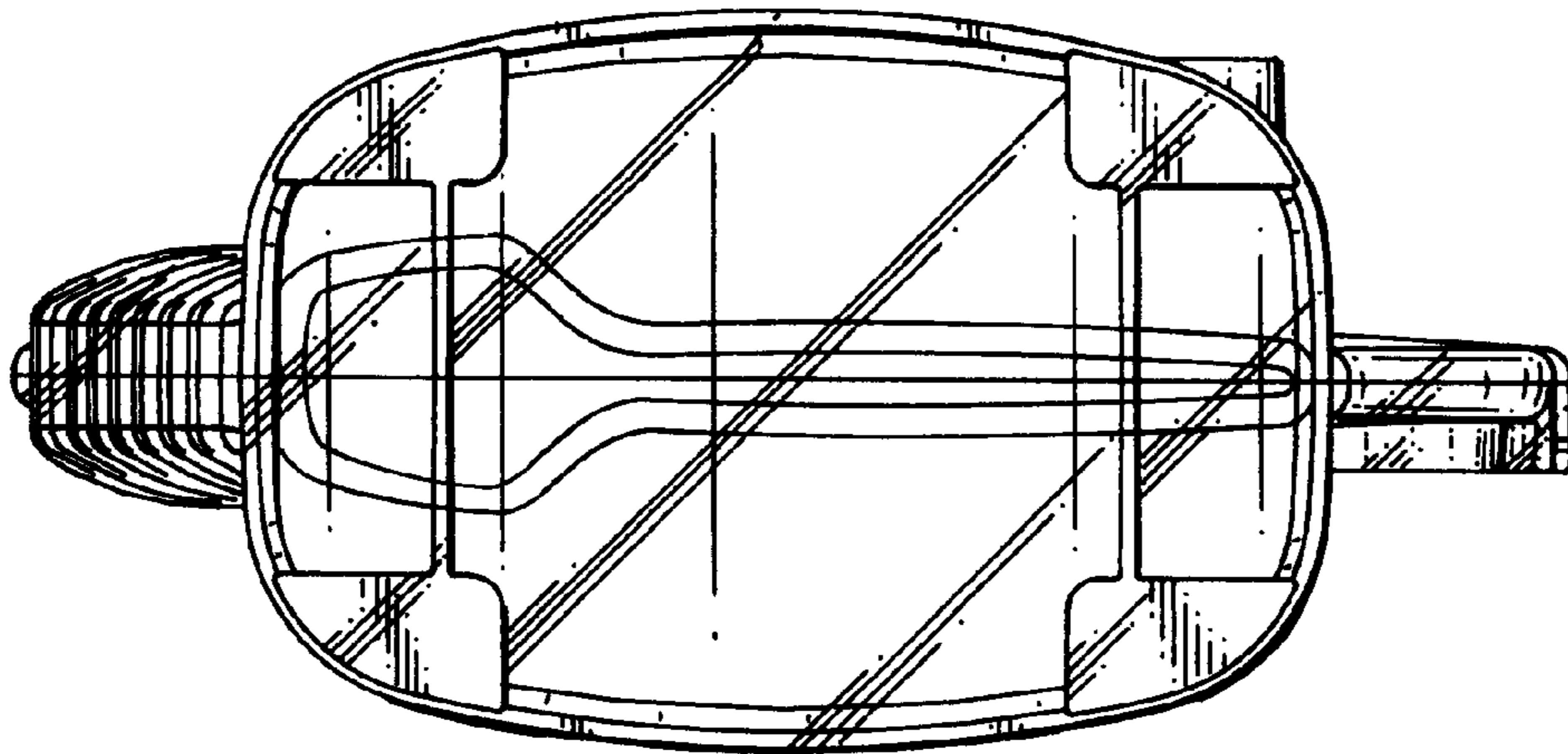


FIG. 7

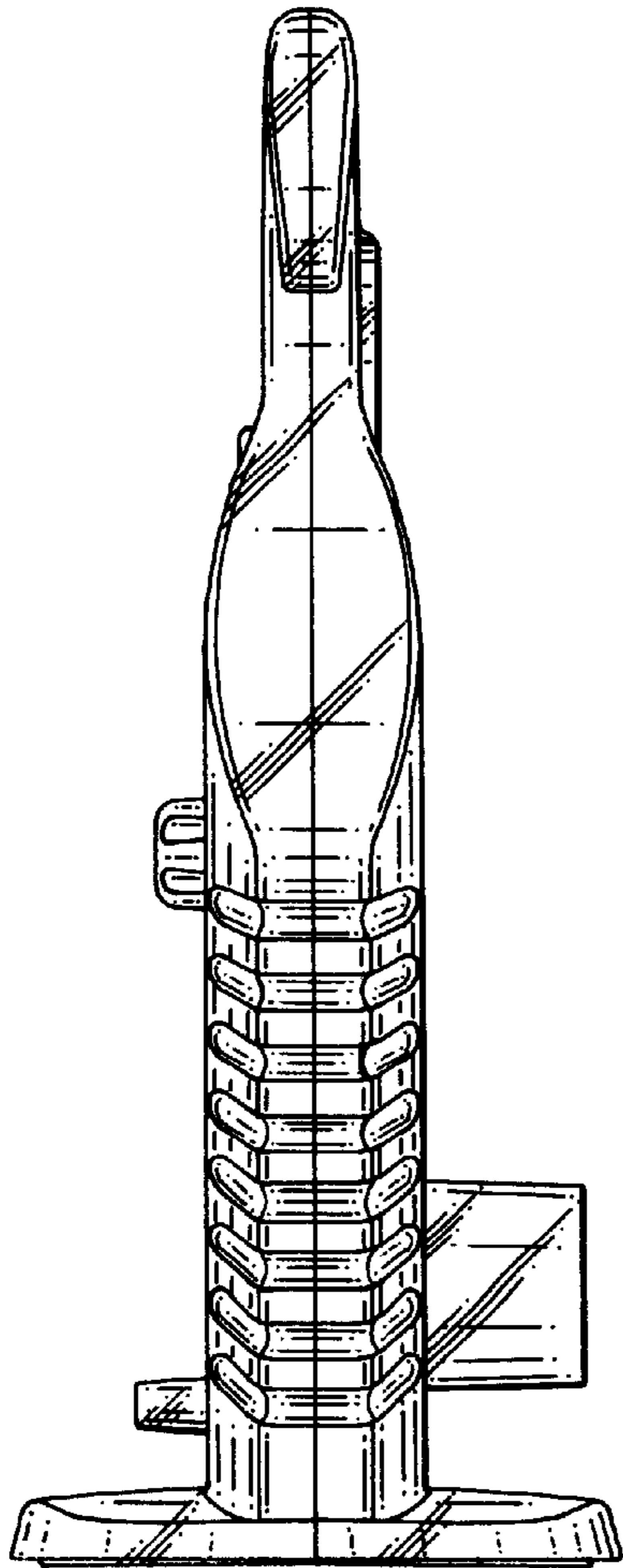


FIG. 5

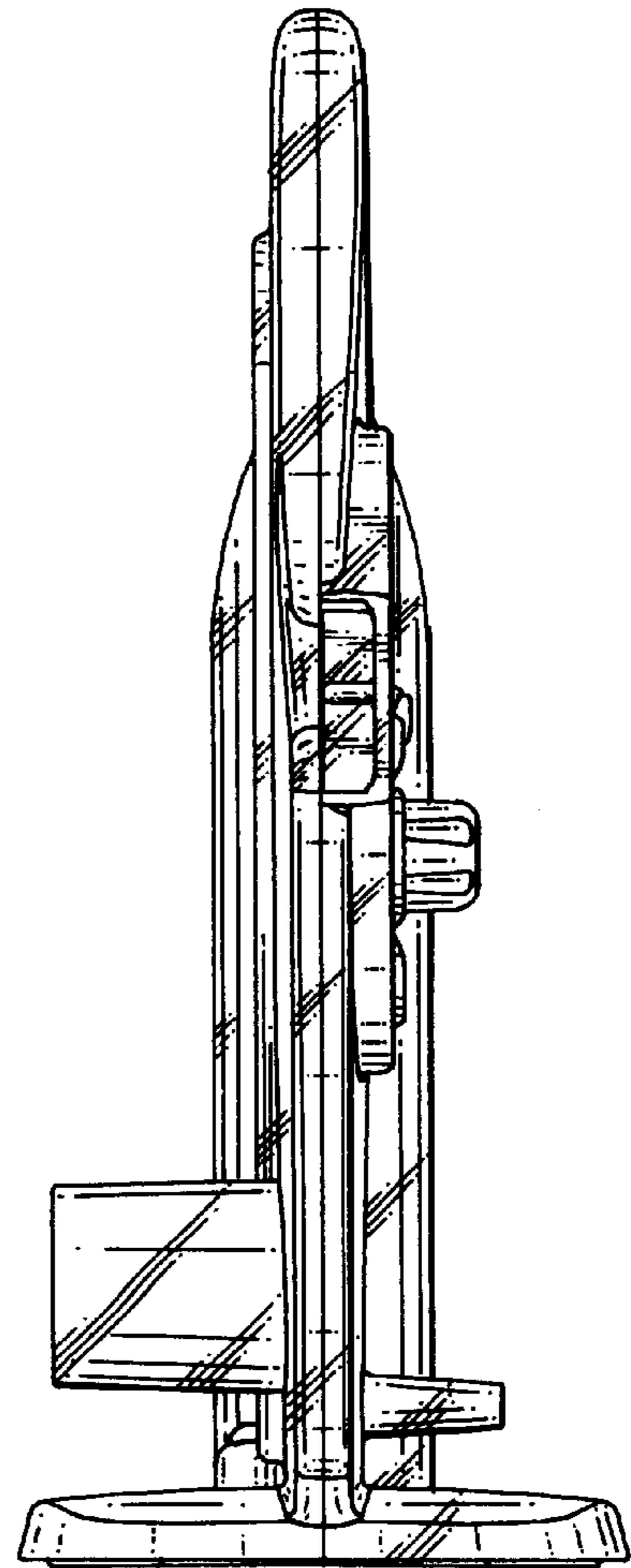


FIG. 6