



US00D450122B1

(12) **United States Design Patent**
Michelson

(10) **Patent No.:** **US D450,122 S**

(45) **Date of Patent:** **** Nov. 6, 2001**

(54) **END CAP FOR A SPINAL IMPLANT**

(76) Inventor: **Gary K. Michelson**, 438 Sherman Canal, Venice, CA (US) 90291

(**) Term: **14 Years**

(21) Appl. No.: **29/133,395**

(22) Filed: **Nov. 29, 2000**

Related U.S. Application Data

(62) Division of application No. 29/116,468, filed on Jan. 3, 2000, now Pat. No. Des. 439,340.

(51) **LOC (7) Cl.** **24-02**

(52) **U.S. Cl.** **D24/155**

(58) **Field of Search** D24/135, 155;
606/60, 69, 72, 220

(56) **References Cited**

U.S. PATENT DOCUMENTS

Re. 37,161	*	5/2001	Michelson et al.	606/72 X
D. 374,482		10/1996	Goble et al. .	
D. 397,439		8/1998	Koros et al. .	
D. 425,989		5/2000	Michelson .	
4,501,269		2/1985	Bagby .	
4,961,740		10/1990	Ray et al. .	
5,026,373		6/1991	Ray et al. .	
5,522,899		6/1996	Michelson .	
5,776,196		7/1998	Matsuzaki et al. .	
6,019,763	*	2/2000	Nakamura et al.	606/72

6,093,201	*	7/2000	Cooper et al.	606/69
6,179,839	*	1/2001	Weiss et al.	606/69
B1 4,961,740		1/1997	Ray et al. .	

* cited by examiner

Primary Examiner—Antoine Duval Davis

(74) *Attorney, Agent, or Firm*—Martin & Ferraro, LLP

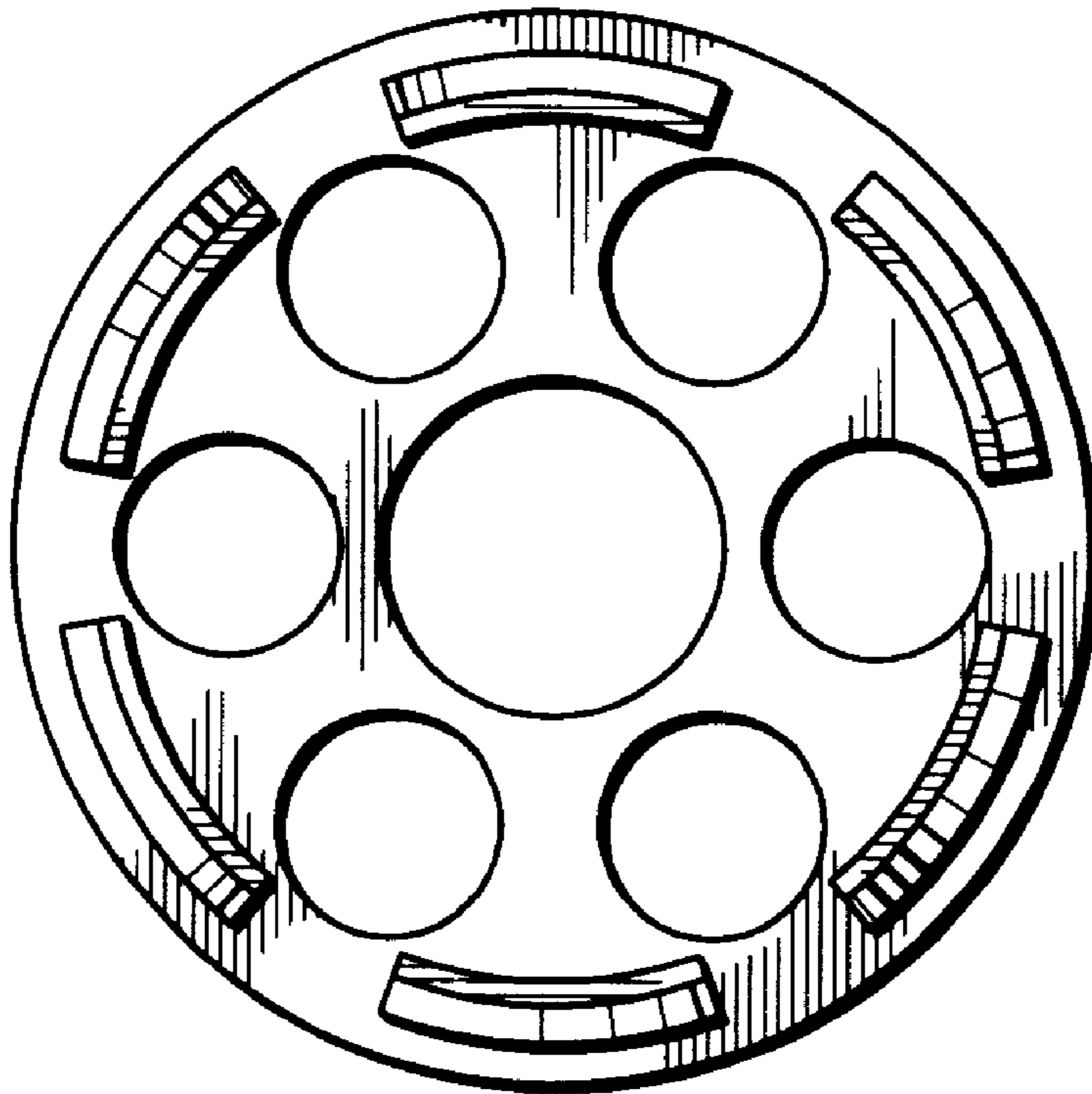
(57) **CLAIM**

The ornamental design for an end cap for a spinal implant, substantially as shown and described.

DESCRIPTION

FIG. 1 is an interior end view of an end cap for a spinal implant showing my new design;
 FIG. 2 is a side elevational view of the end cap of FIG. 1;
 FIG. 3 is an interior end view of an alternative embodiment of an end cap for a spinal implant;
 FIG. 4 is a side elevational view of the end cap of FIG. 3;
 FIG. 5 is an interior end view of an alternative embodiment of an end cap for a spinal implant;
 FIG. 6 is a side elevational view of the end cap of FIG. 5;
 FIG. 7 is an interior end view of an alternative embodiment of an end cap for a spinal implant;
 FIG. 8 is a side elevational view of the end cap of FIG. 7;
 FIG. 9 is an interior end view of an alternative embodiment of an end cap for a spinal implant; and,
 FIG. 10 is a side elevational view of the end cap of FIG. 9.

1 Claim, 2 Drawing Sheets



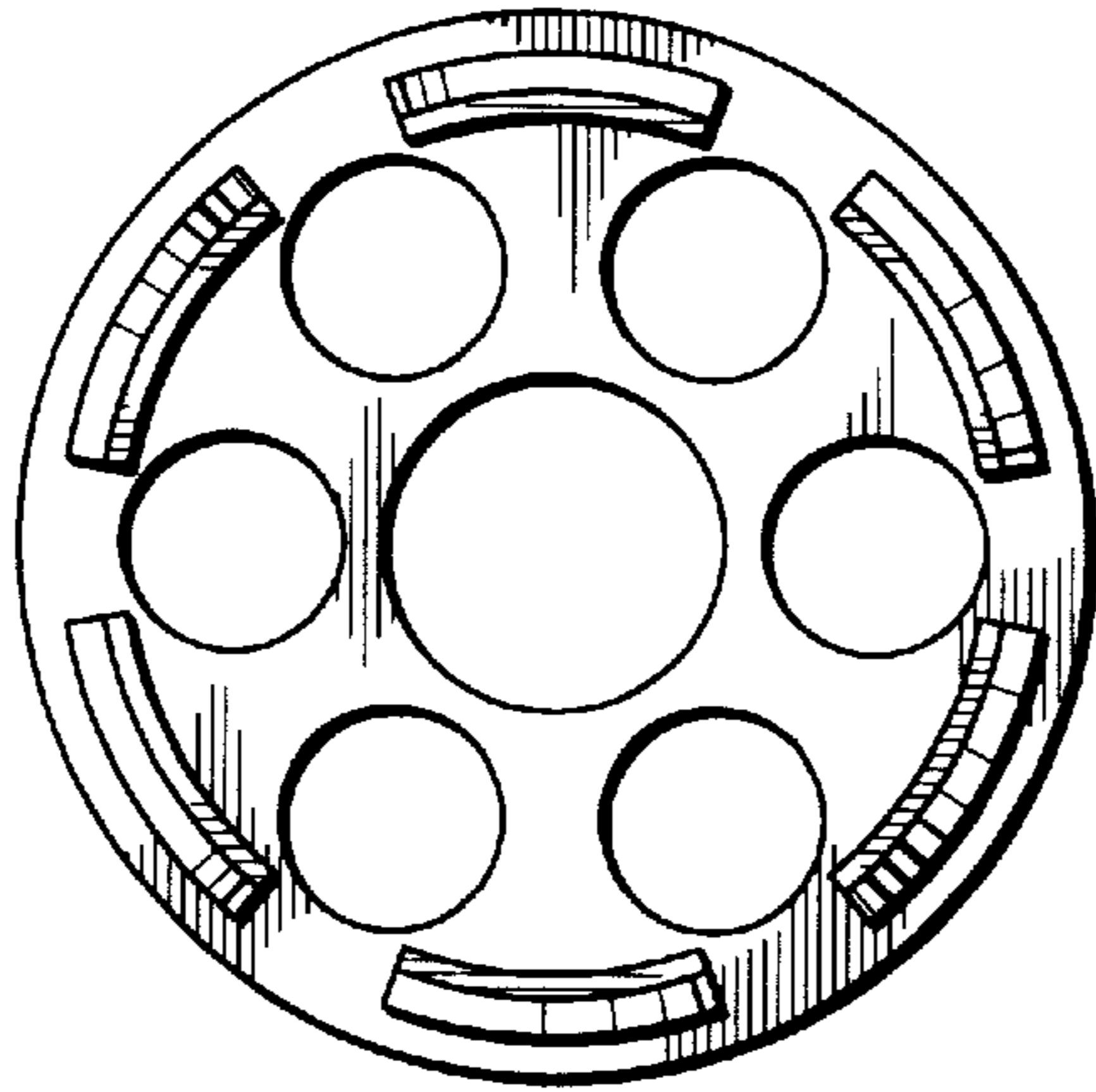


FIG. 1



FIG. 2

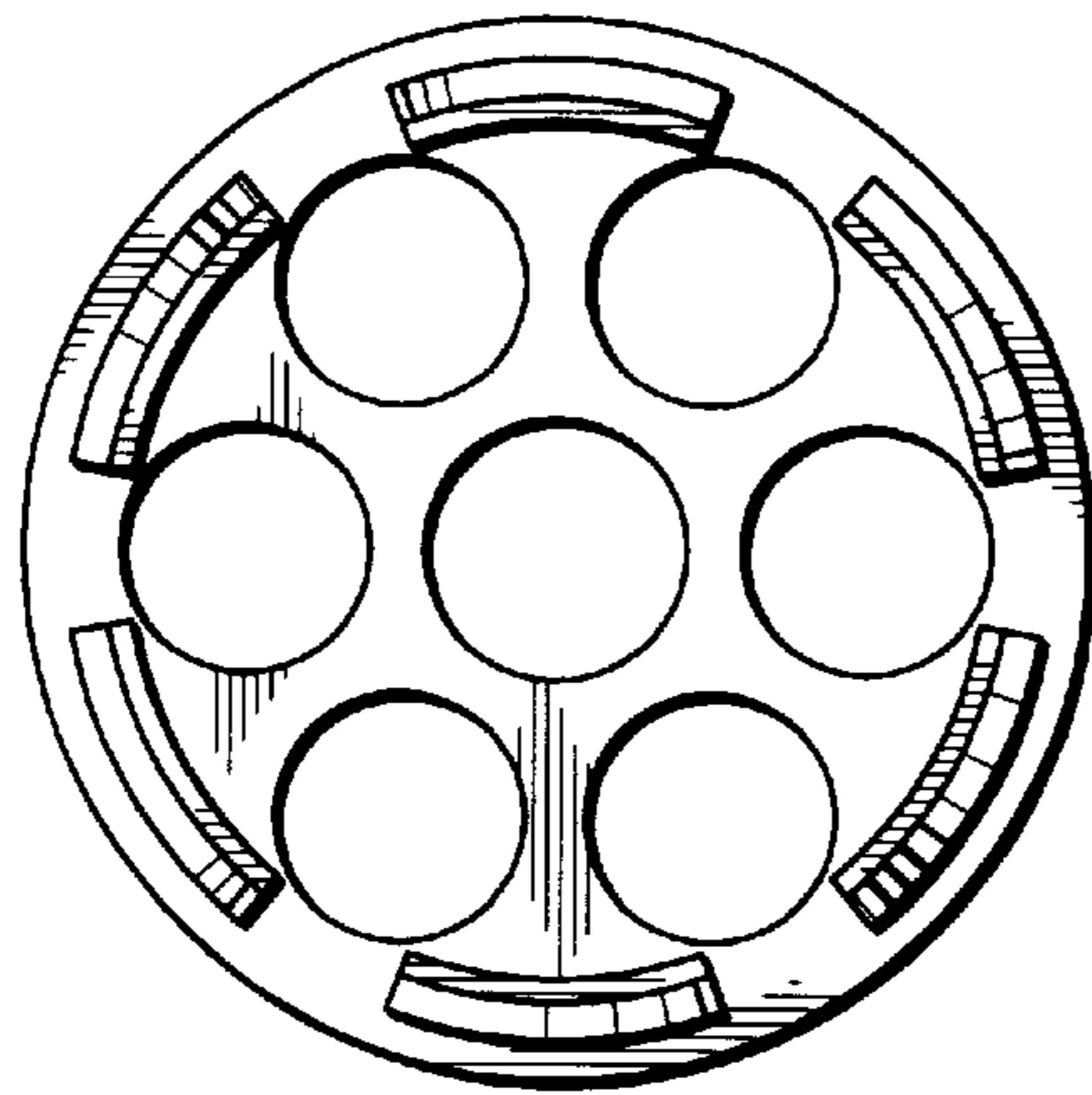


FIG. 3



FIG. 4

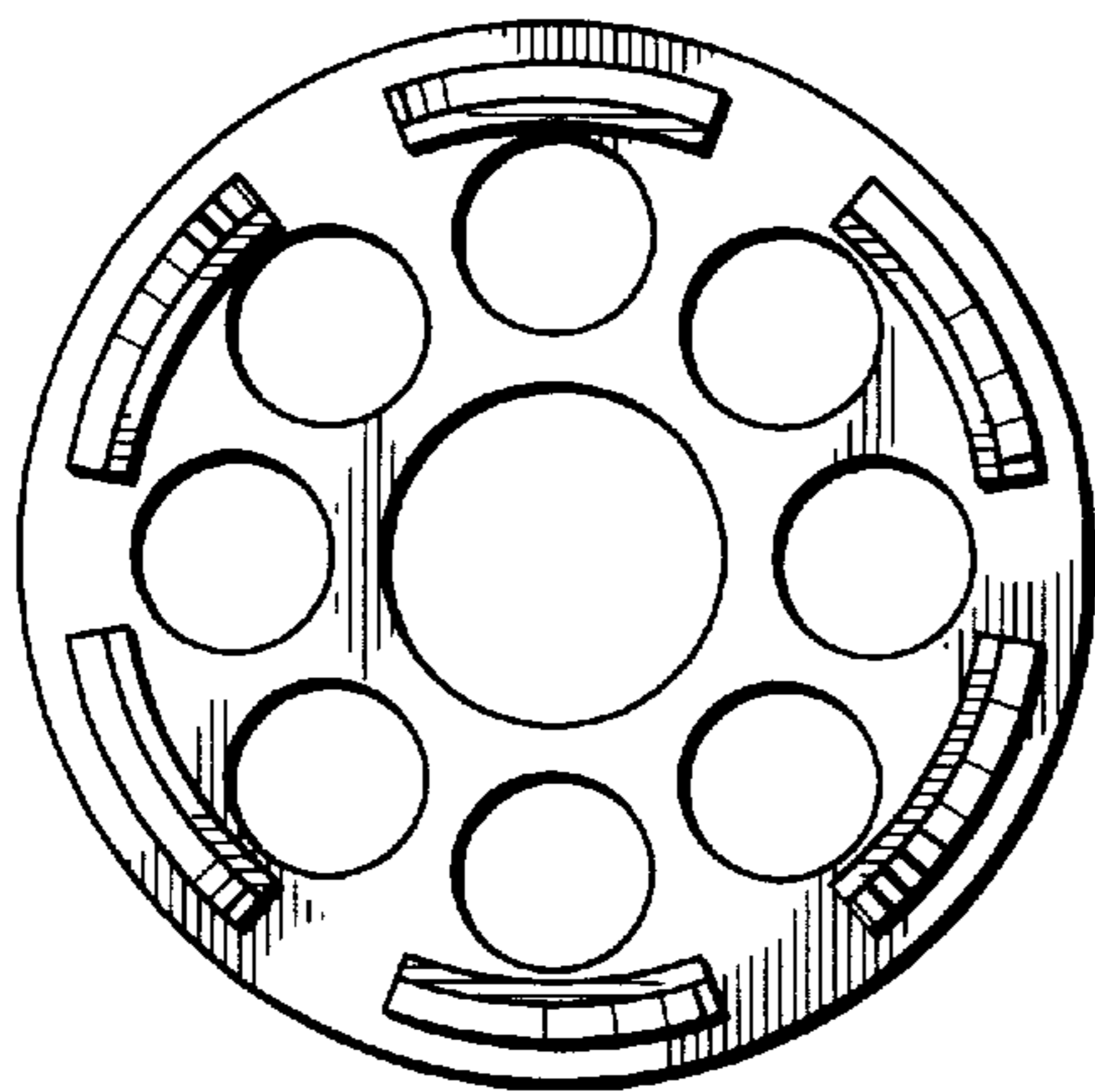


FIG. 5



FIG. 6

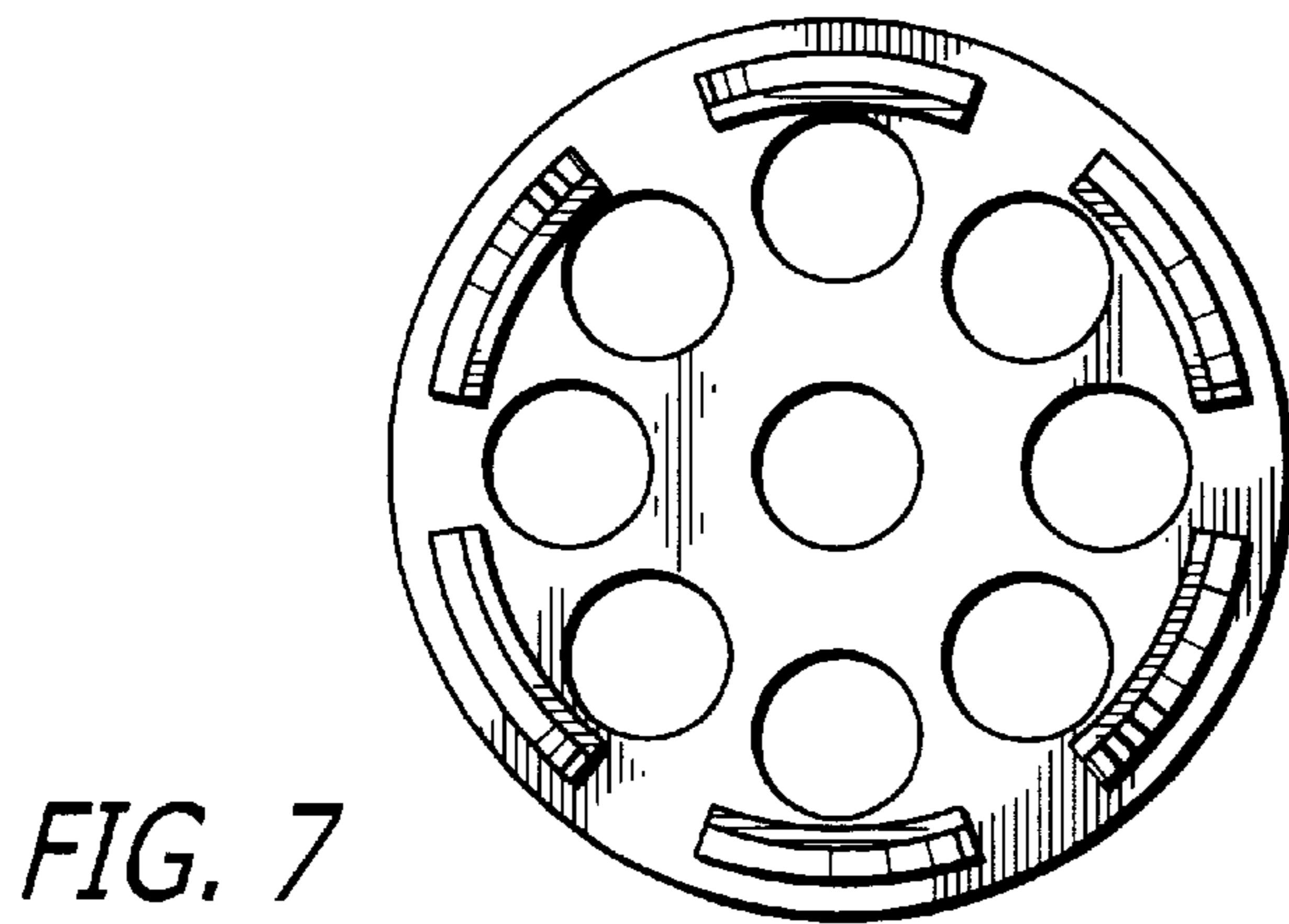


FIG. 7



FIG. 8

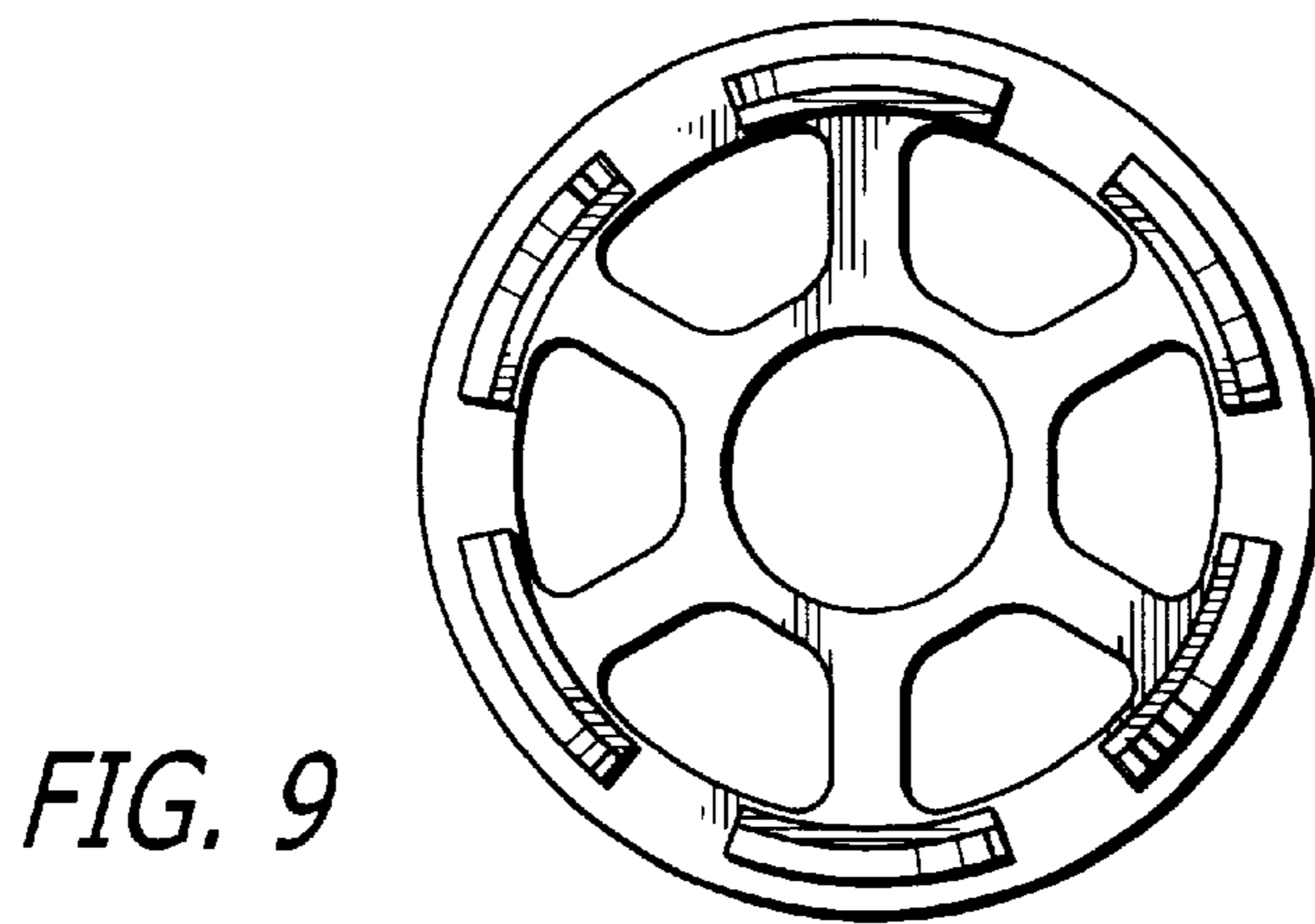


FIG. 9



FIG. 10