



US00D450120B1

(12) **United States Design Patent**
Adler et al.

(10) **Patent No.:** **US D450,120 S**

(45) **Date of Patent:** **** Nov. 6, 2001**

(54) **QUICK-RELEASE ENT SURGICAL EAR SPECULUM HOLDER**

Primary Examiner—Stella Reid

(74) *Attorney, Agent, or Firm*—Charles I. Brodsky

(75) Inventors: **Jonathan Adler**, Upper Brookville;
Bernd D. Ascher, Islip Terrace, both of
NY (US)

(57) **CLAIM**

The ornamental design for a quick-release ENT surgical ear speculum holder, as shown and described.

(73) Assignee: **Flexbar Machine Corporation**,
Islandia, NY (US)

DESCRIPTION

(**) Term: **14 Years**

(21) Appl. No.: **29/133,803**

(22) Filed: **Dec. 8, 2000**

(51) **LOC (7) Cl.** **24-02**

(52) **U.S. Cl.** **D24/143; D24/138; D24/133**

(58) **Field of Search** D24/133, 135,
D24/129, 128; 606/1, 129, 130; 600/184,
200, 417, 429

FIG. 1 is a front perspective view of a quick-release ENT surgical ear speculum holder, showing our new design; FIG. 2 is a front elevational view thereof; FIG. 3 is a rear elevational view thereof; FIG. 4 is a right-side elevational view; FIG. 5 is a left-side elevational view; FIG. 6 is a top plan view of the quick-release ENT surgical ear speculum holder, showing our new design; FIG. 7 is a bottom plan view thereof; FIG. 8 is a view of the quick-release ENT surgical ear speculum holder of our design in conjunction with a first type of flexible arm positioner; and, FIG. 9 is a view of the quick-release ENT surgical ear speculum holder of our design in conjunction with a second type of flexible arm positioner.

The broken line showing of the flexible arm positioner in FIGS. 8 and 9 is for illustrative purposes only and forms no part of the claimed design.

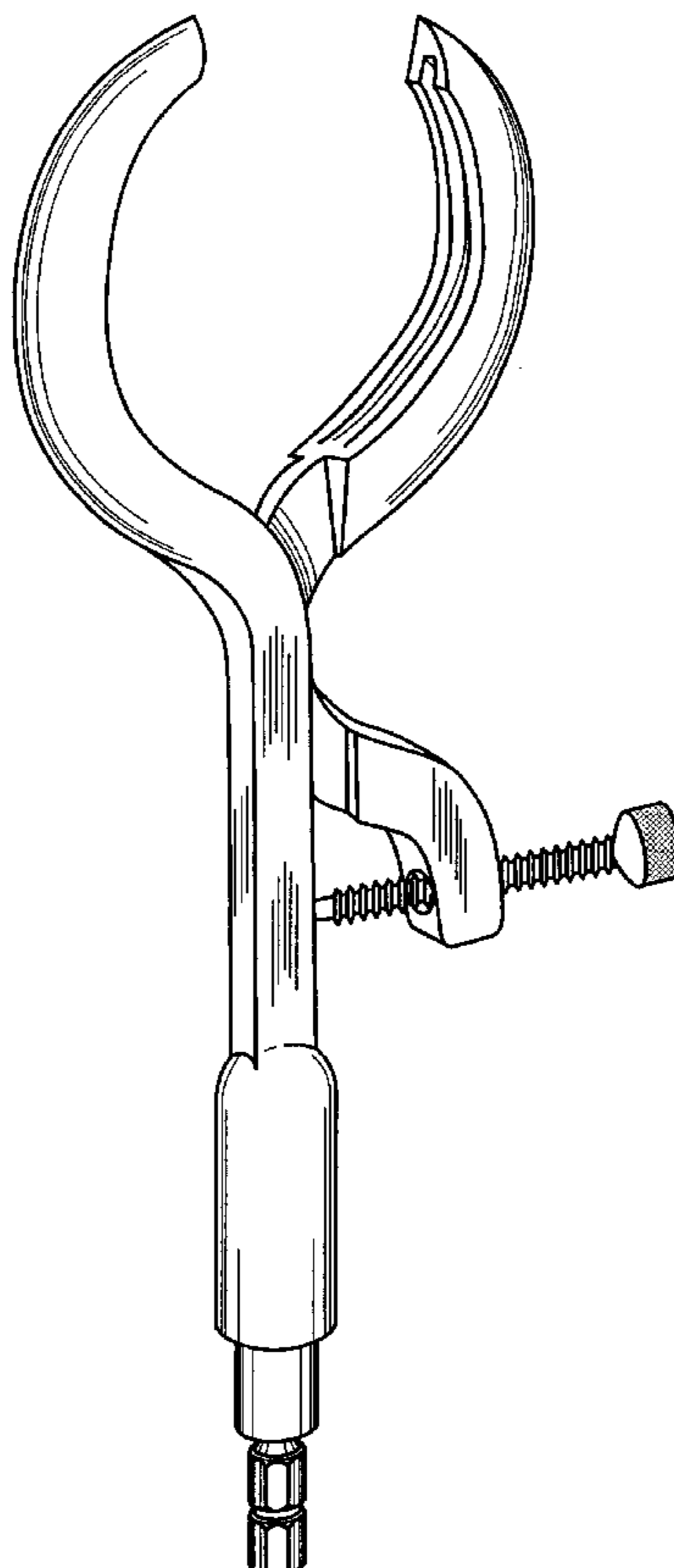
(56) **References Cited**

U.S. PATENT DOCUMENTS

4,006,738	*	2/1977	Moore et al.	600/200
4,638,799	*	1/1987	Moore	606/1
5,776,144	*	7/1998	Leysieffer et al.	606/130
6,165,125	*	12/2000	Elliott	600/200
6,193,707	*	2/2001	Juto	606/1

* cited by examiner

1 Claim, 4 Drawing Sheets



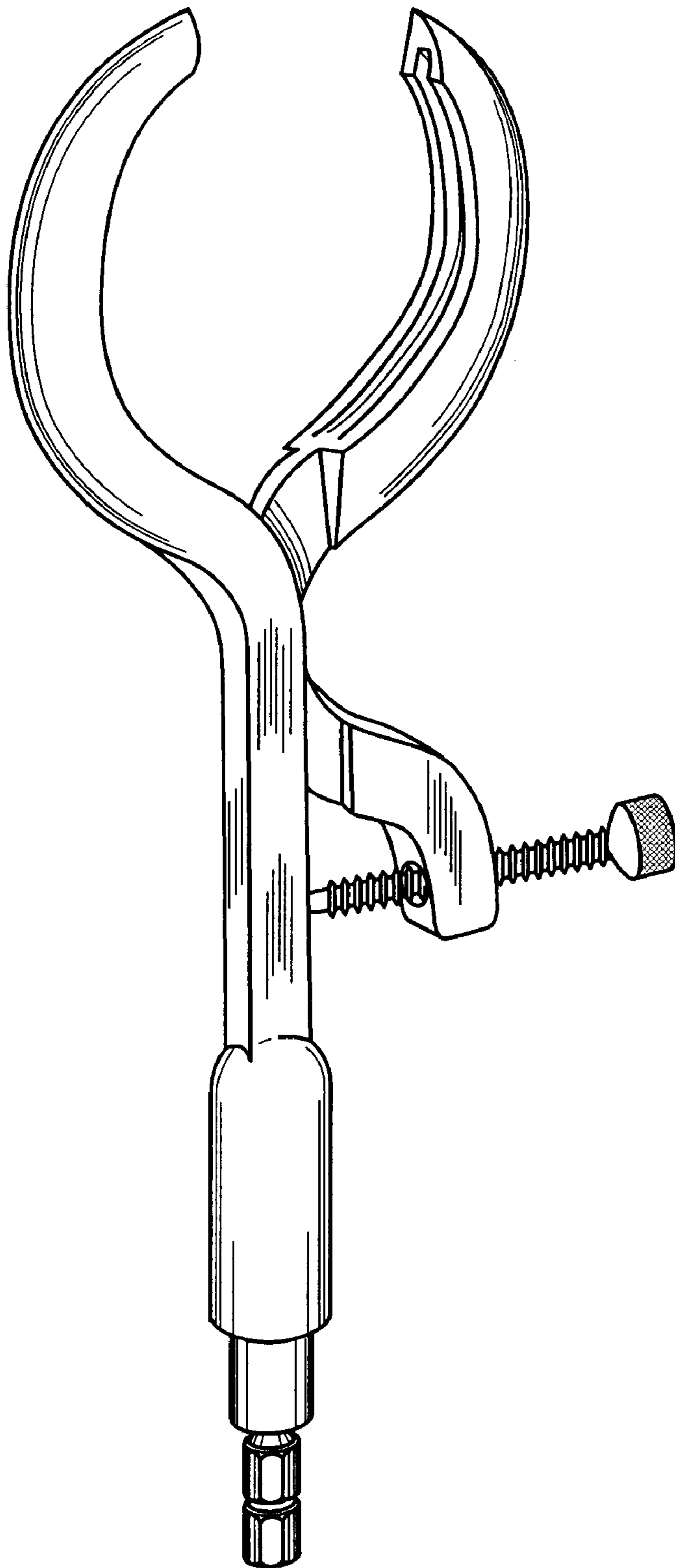


FIG. 1

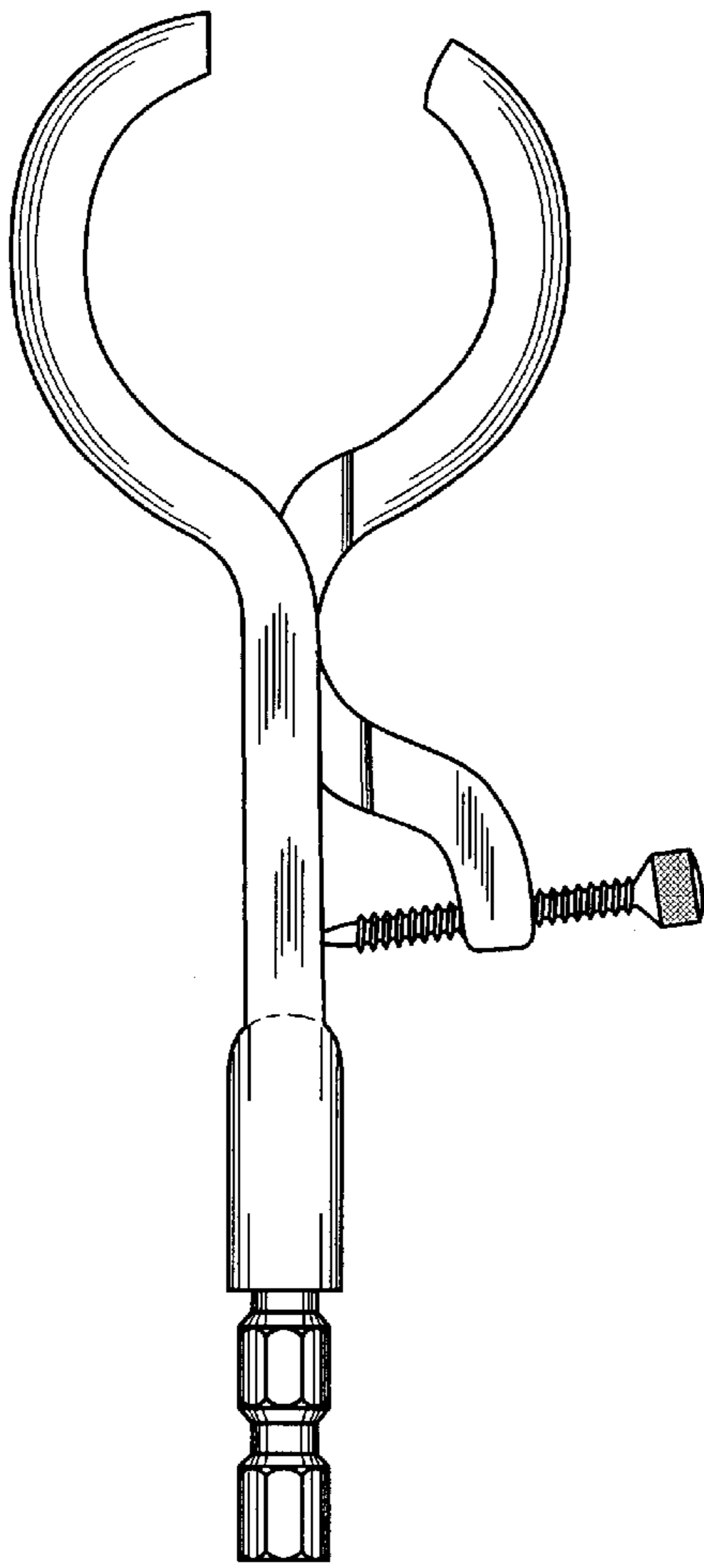


FIG. 2

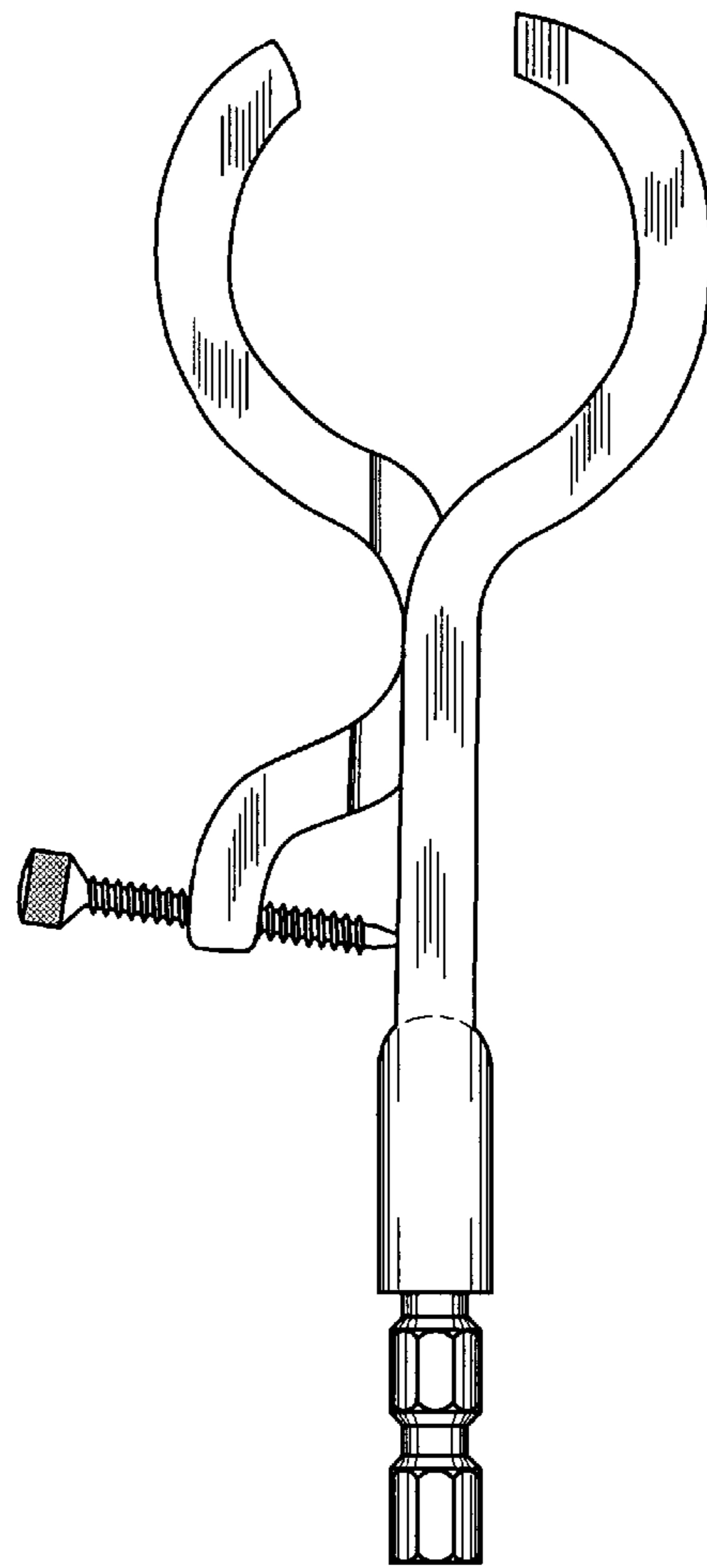


FIG. 3

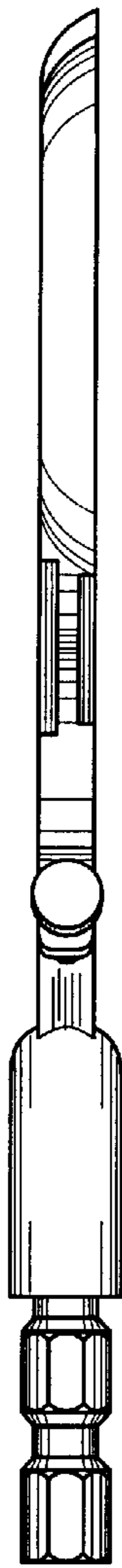


FIG. 4

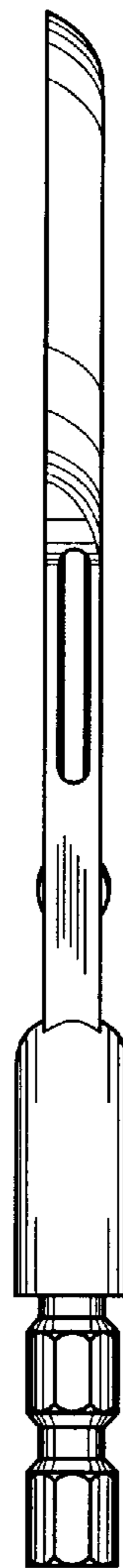


FIG. 5

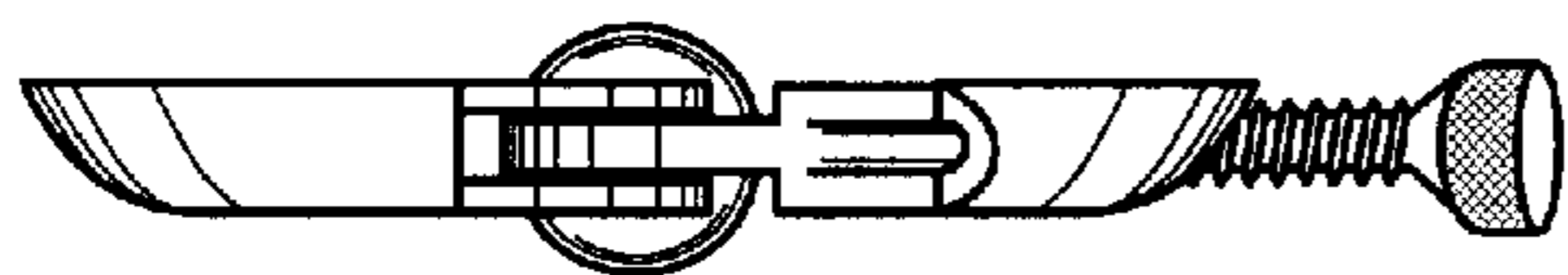


FIG. 6

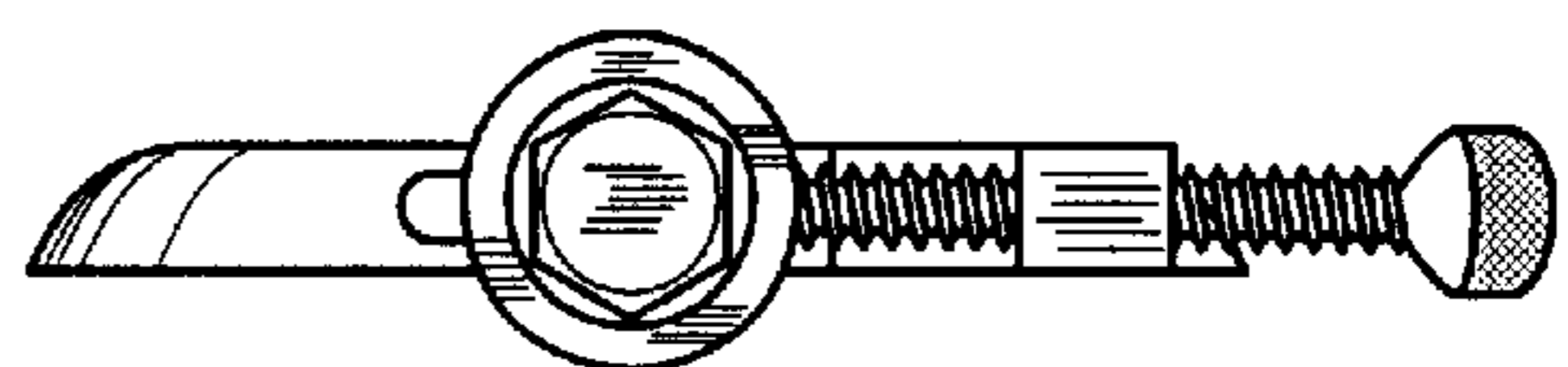


FIG. 7

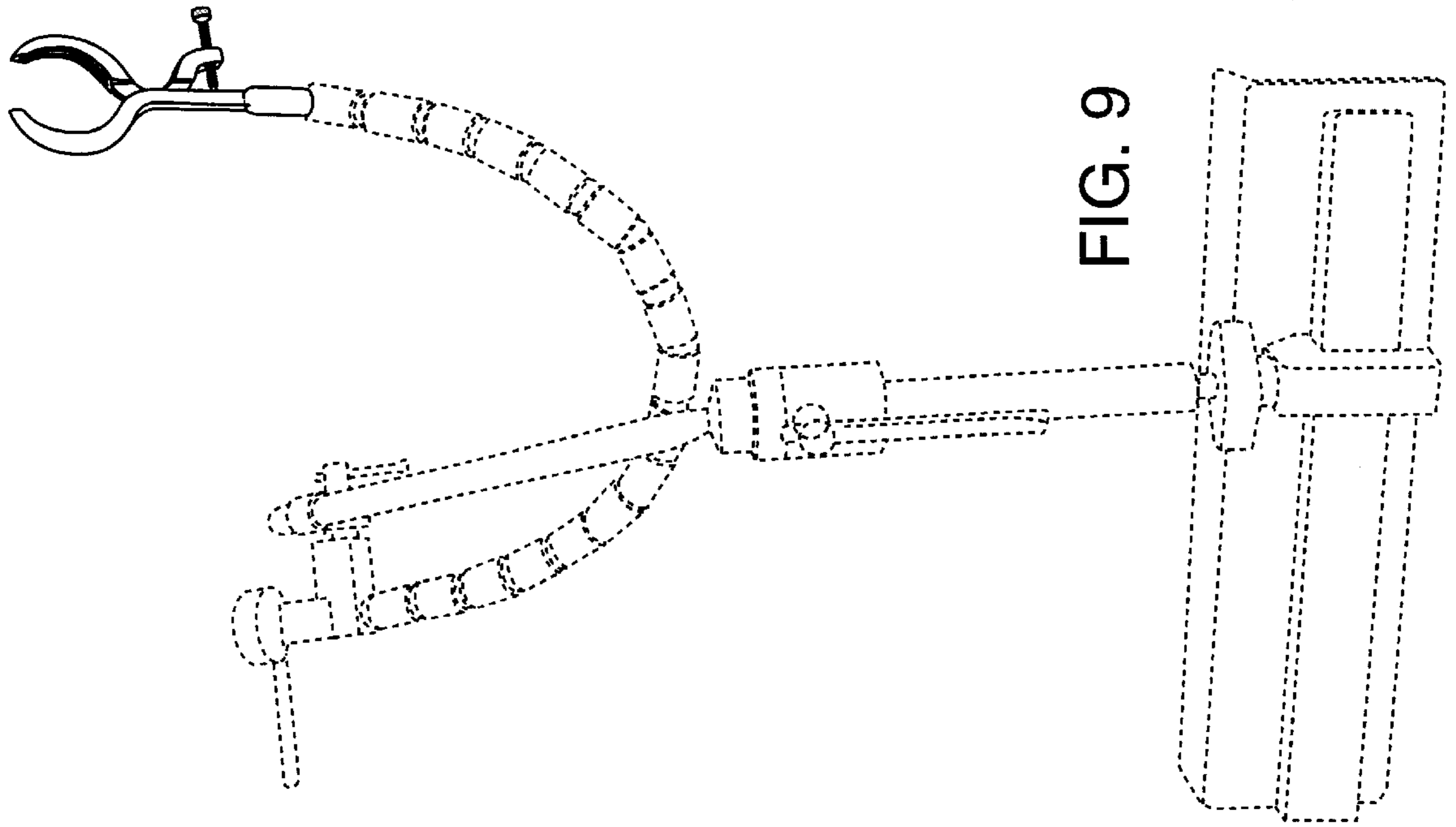


FIG. 9

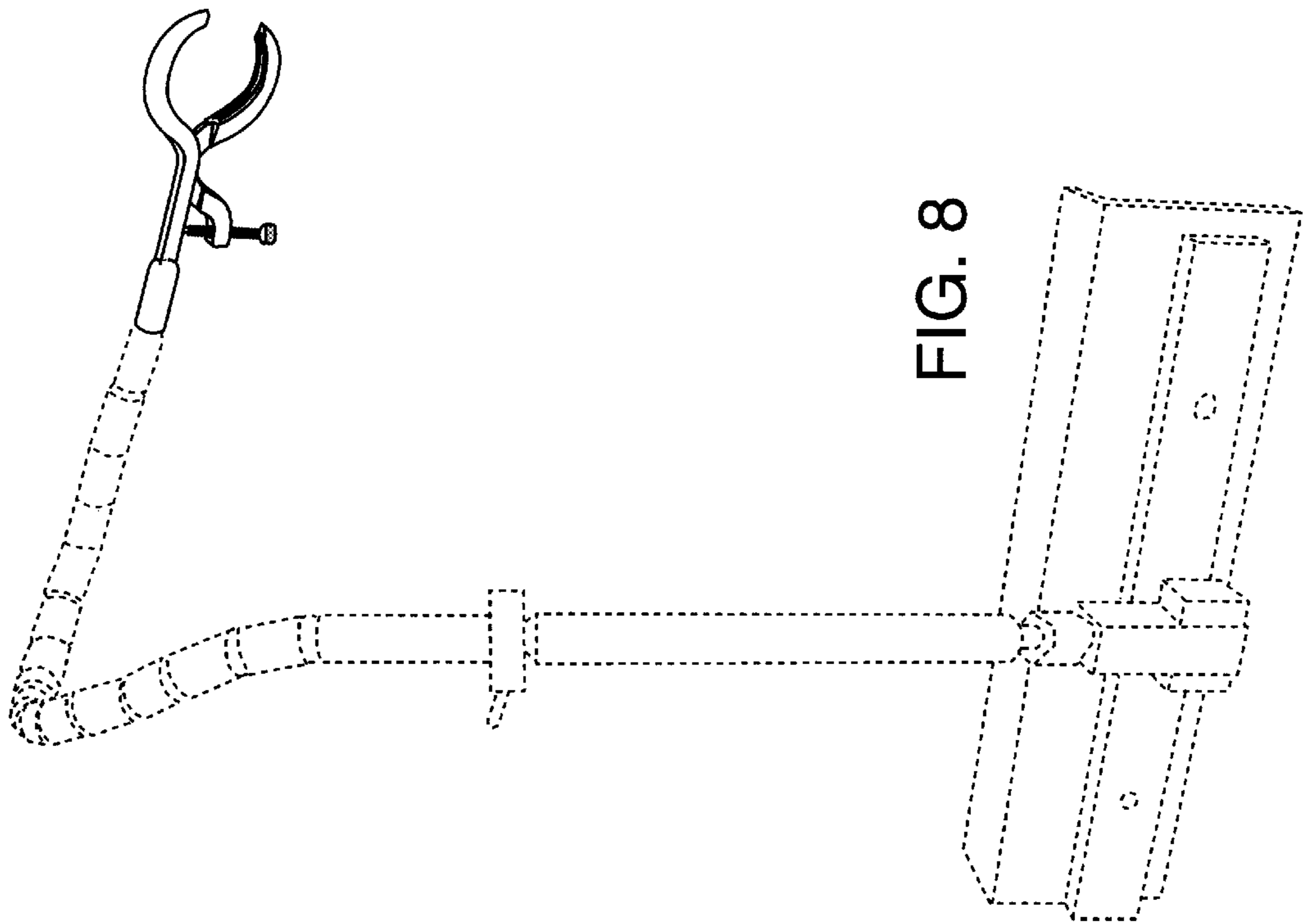


FIG. 8