



US00D450119B1

(12) **United States Design Patent**
Rose et al.

(10) **Patent No.:** **US D450,119 S**

(45) **Date of Patent:** **** Nov. 6, 2001**

(54) **DUAL-WING CATHETER HUB**

(75) Inventors: **John Rose**, Plantation; **Ron Sauer**,
Miami, both of FL (US)

(73) Assignee: **Neich Medical Co., Ltd.**, Hong Kong
(HK)

(**) Term: **14 Years**

(21) Appl. No.: **29/129,880**

(22) Filed: **Sep. 22, 2000**

(51) **LOC (7) Cl.** **24-02**

(52) **U.S. Cl.** **D24/130; D24/112; D24/129**

(58) **Field of Search** D24/130, 112,
D24/129; 604/48, 908, 508, 513, 523, 533,
539, 905

(56) **References Cited**

U.S. PATENT DOCUMENTS

- D. 268,871 * 5/1983 Benham et al. D24/129
- D. 340,111 * 10/1993 Yoshikawa D24/112

D. 355,031 * 1/1995 Yoshikawa D24/112

* cited by examiner

Primary Examiner—Ian Simmons

(74) *Attorney, Agent, or Firm*—Thomas R. Vigil

(57) **CLAIM**

The ornamental design for a dual-wing catheter hub, as shown and described.

DESCRIPTION

FIG. 1 is a front end perspective view of the dual-wing catheter hub.

FIG. 2 is a back perspective view of the dual-wing catheter hub.

FIG. 3 is a side end view of the dual-wing catheter hub.

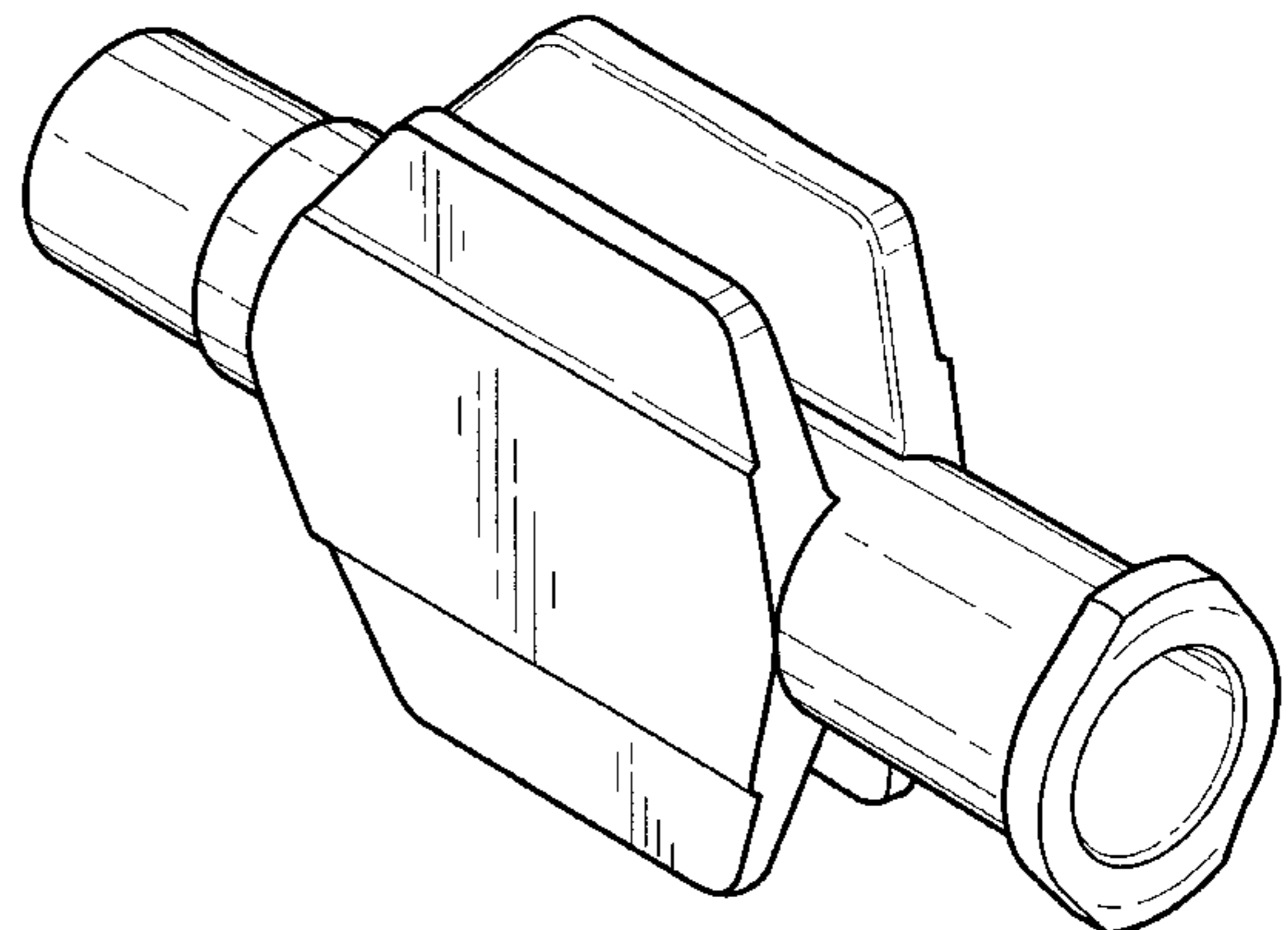
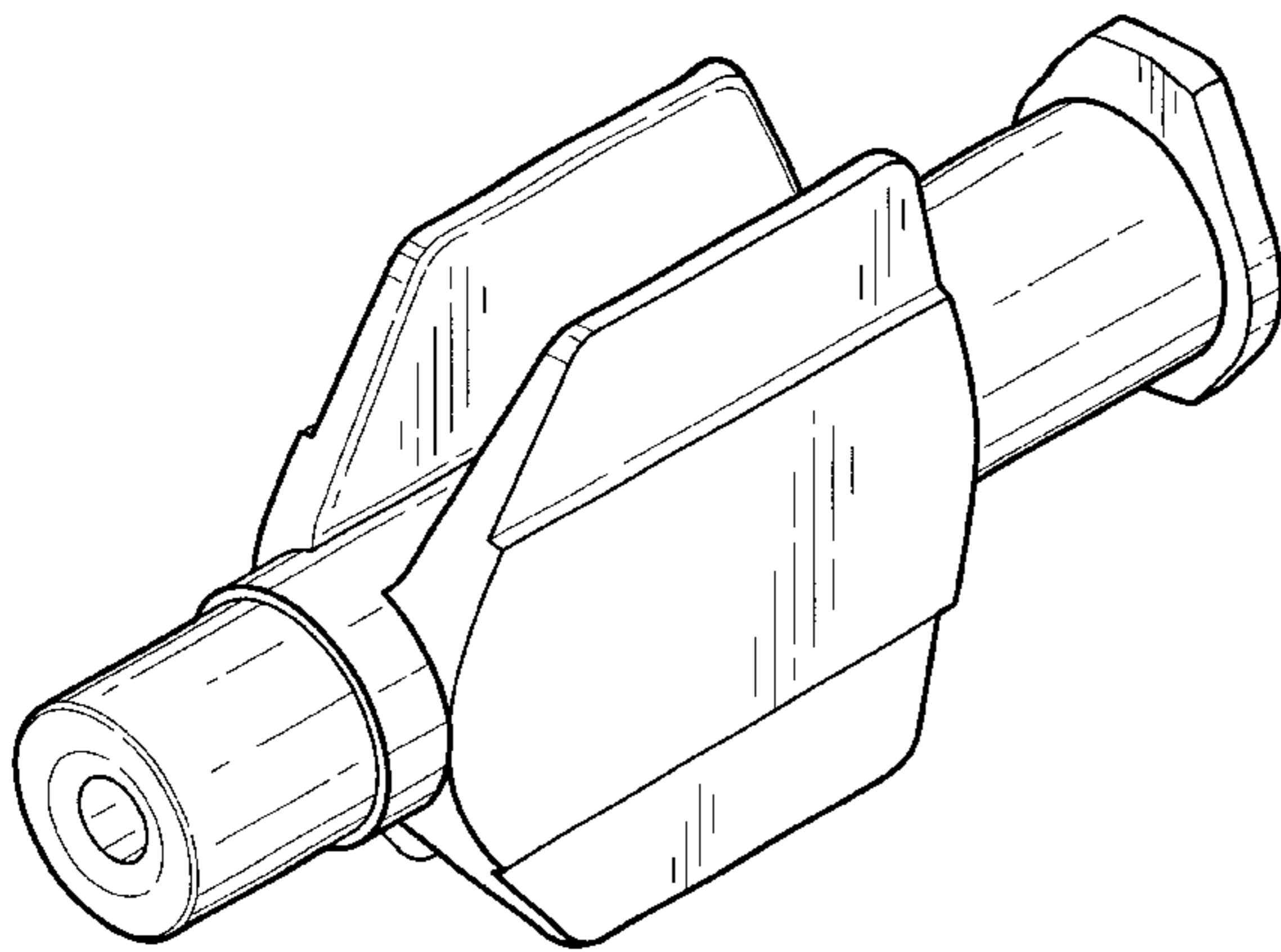
FIG. 4 is a top view of the dual-wing catheter hub.

FIG. 5 is a bottom view of the dual-wing catheter hub.

FIG. 6 is a back end elevational view of the dual-wing catheter hub; and,

FIG. 7 is a front end elevational view of the dual-wing catheter hub.

1 Claim, 3 Drawing Sheets



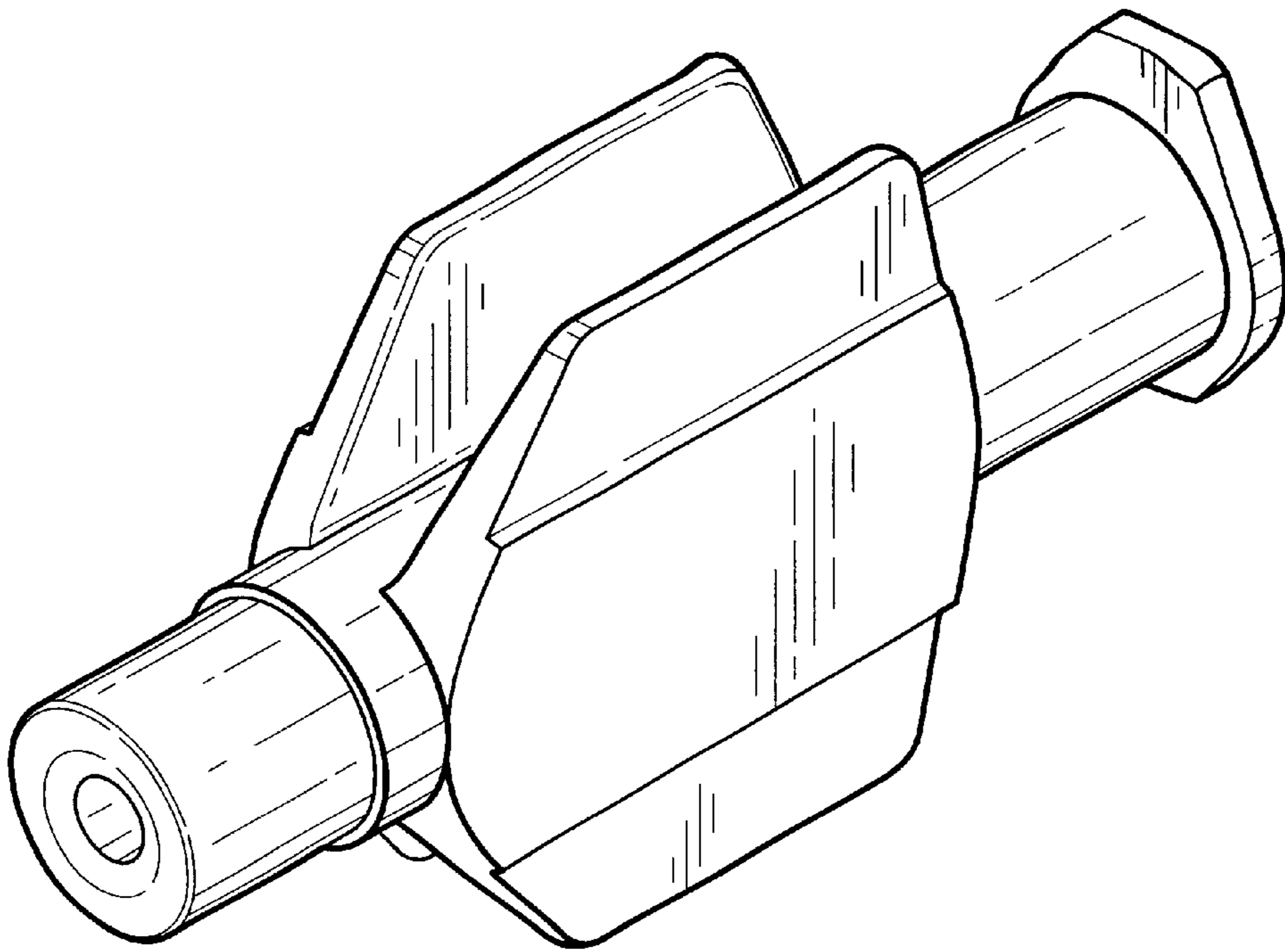


FIG. 1

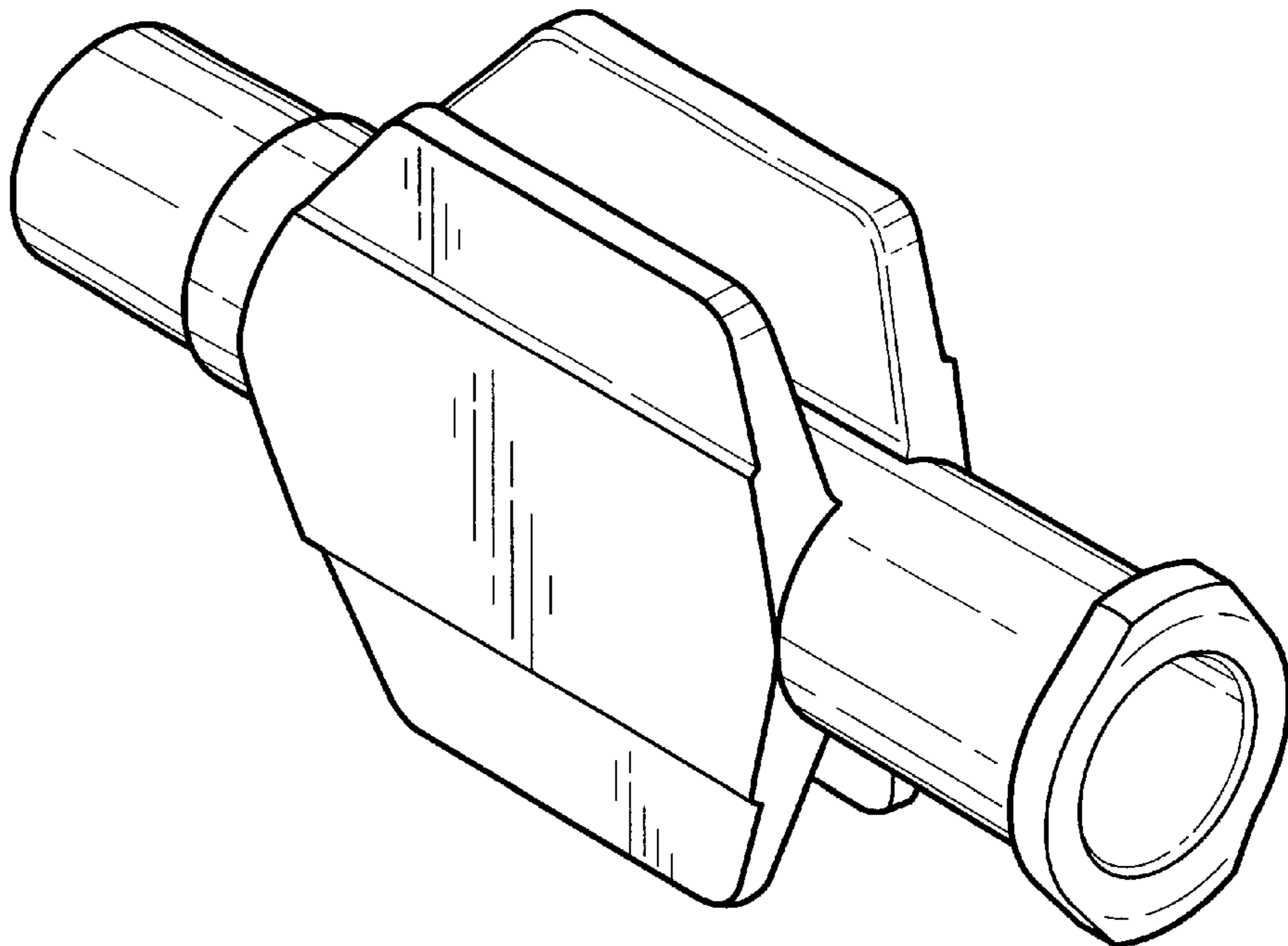


FIG. 2

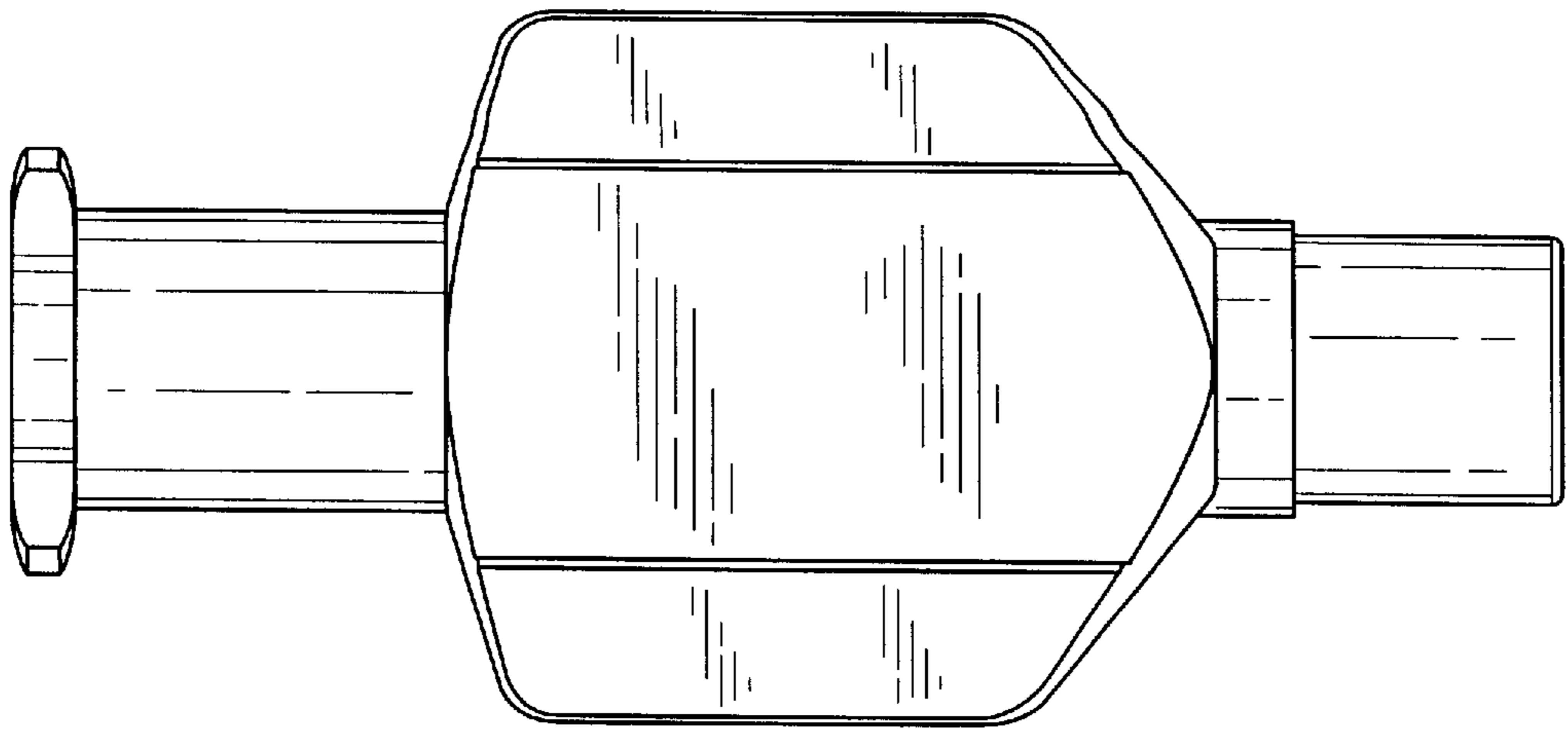


FIG. 3

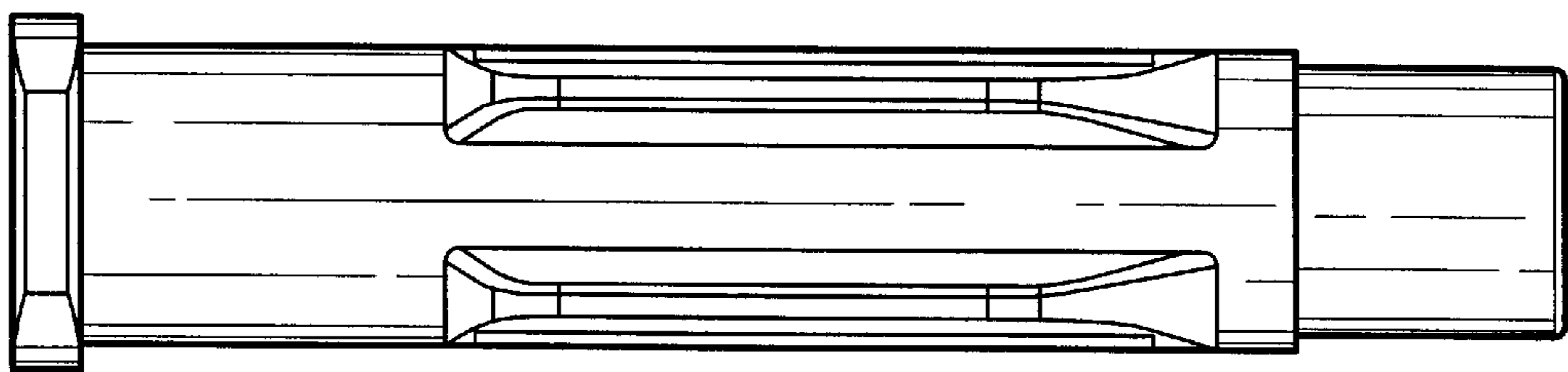


FIG. 4

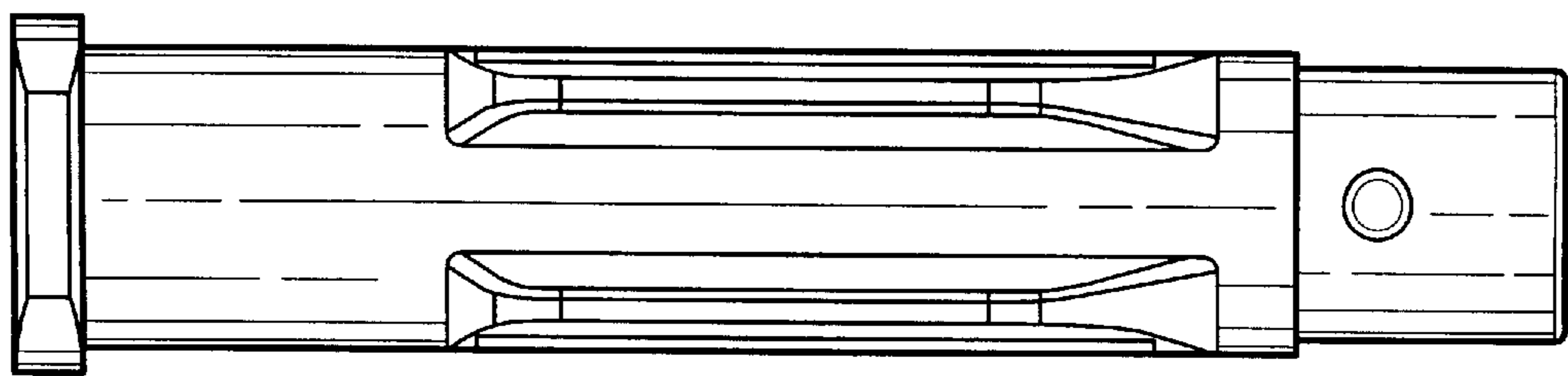


FIG. 5

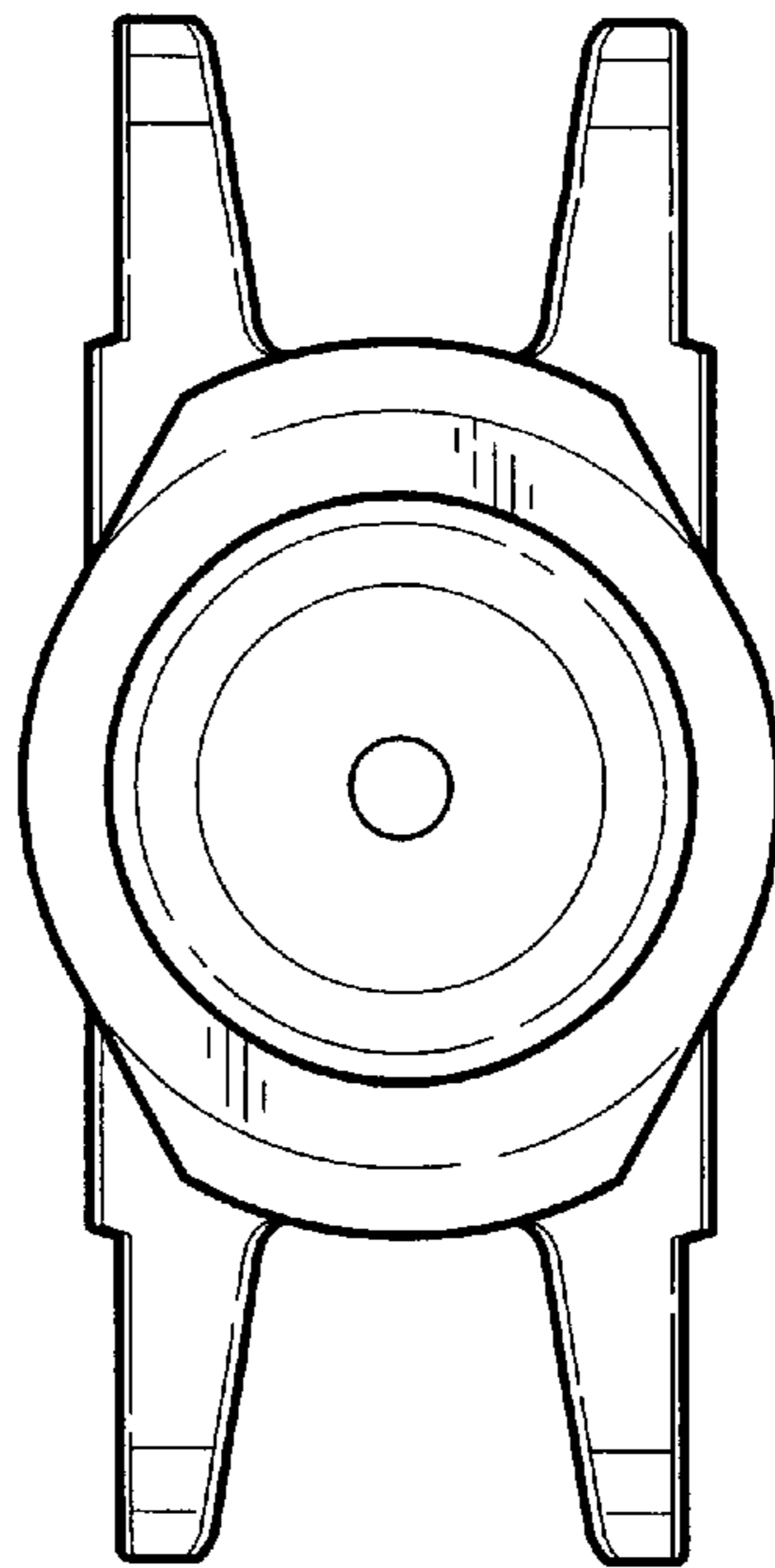


FIG. 6

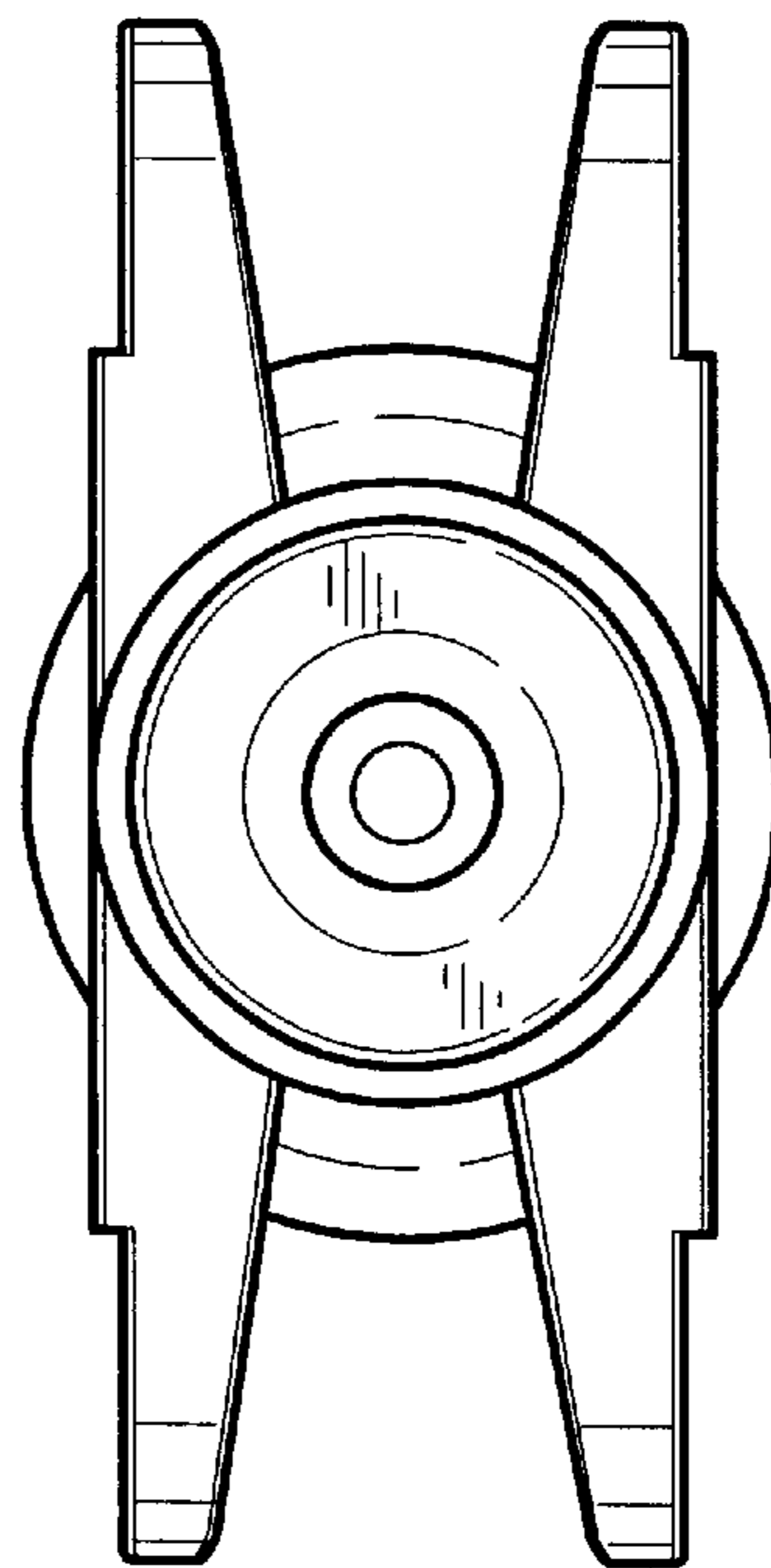


FIG. 7