



US00D450115B1

(12) **United States Design Patent**
Bertheas

(10) **Patent No.:** **US D450,115 S**

(45) **Date of Patent:** **** Nov. 6, 2001**

(54) **IMPLANTABLE SUB-CUTANEOUS DOUBLE CHAMBER**

6,186,982 * 2/2001 Gross et al. 604/132

* cited by examiner

(75) Inventor: **Jacques Bertheas**, Lissieu (FR)

(73) Assignee: **Districlass Medical S.A.**, Saint-Etienne (FR)

Primary Examiner—Antoine Duval Davis
(74) *Attorney, Agent, or Firm*—Greenblum & Bernstein, P.L.C.

(**) Term: **14 Years**

(57) **CLAIM**

(21) Appl. No.: **29/129,260**

The ornamental design for an implantable sub-cutaneous double chamber, as shown and described.

(22) Filed: **Sep. 7, 2000**

(30) **Foreign Application Priority Data**

DESCRIPTION

Mar. 10, 2000 (FR) 00 1615

FIG. 1 is a top plan view showing my new design;

(51) **LOC (7) Cl.** **24-04**

FIG. 2 is a left side view thereof;

(52) **U.S. Cl.** **D24/108**

FIG. 3 is a right side view thereof;

(58) **Field of Search** D24/108; 604/93.01,
604/175, 174, 183, 905, 244, 523, 890.01,
891.1

FIG. 4 is a front end view thereof;

FIG. 5 is a rear end view thereof; and,

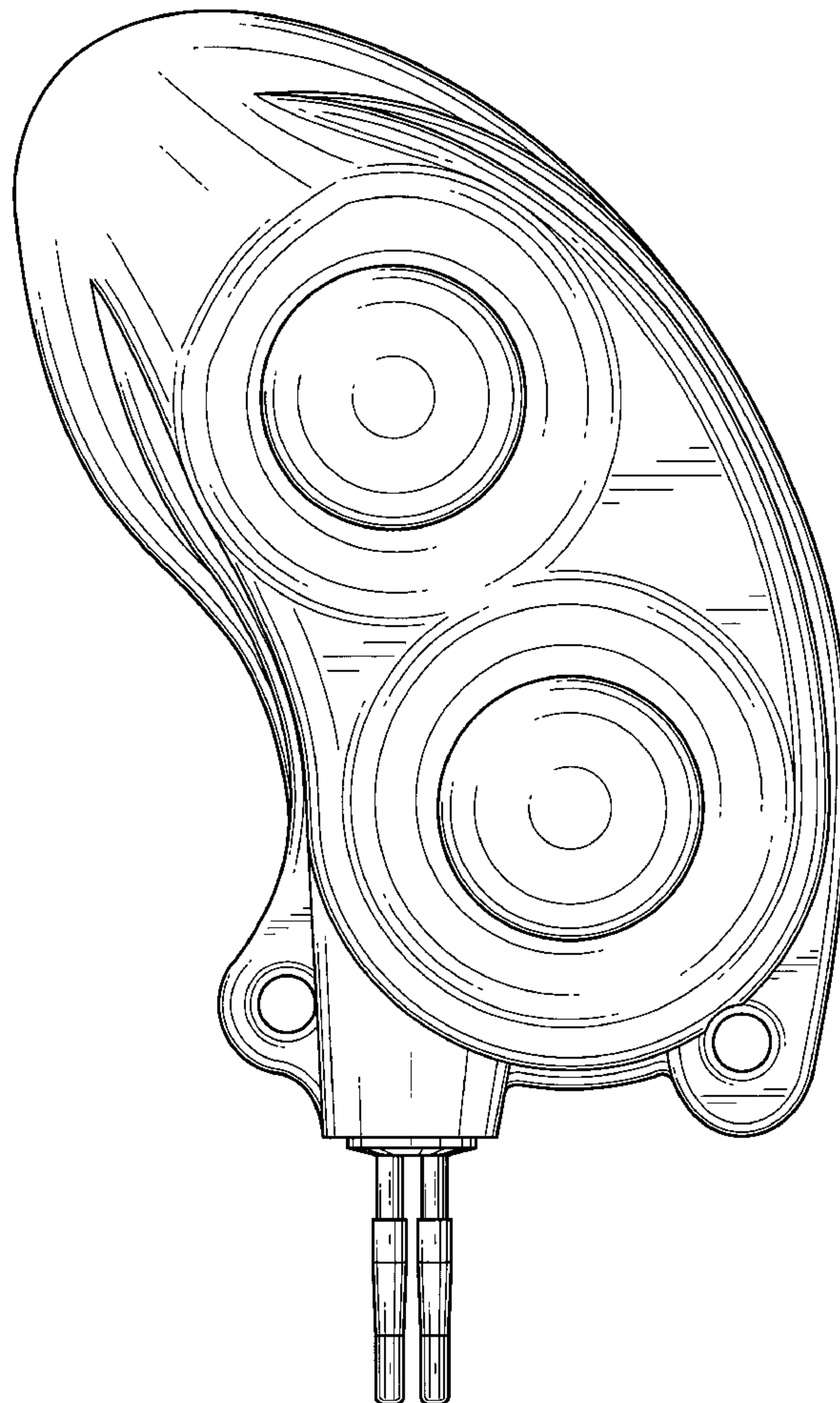
FIG. 6 is a bottom plan view thereof.

(56) **References Cited**

U.S. PATENT DOCUMENTS

D. 337,637 * 7/1993 Tucker D24/108

1 Claim, 6 Drawing Sheets



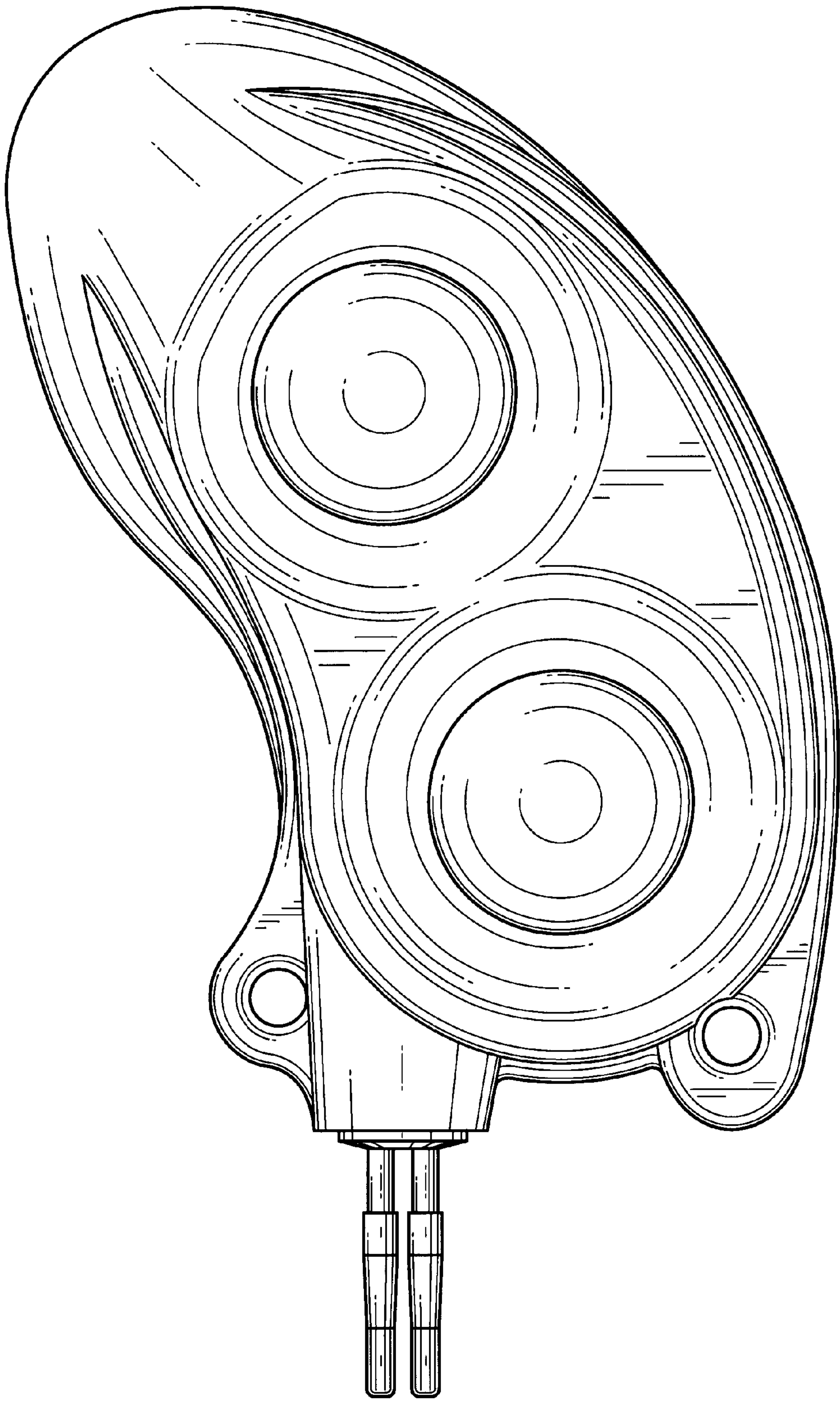


FIG. 1

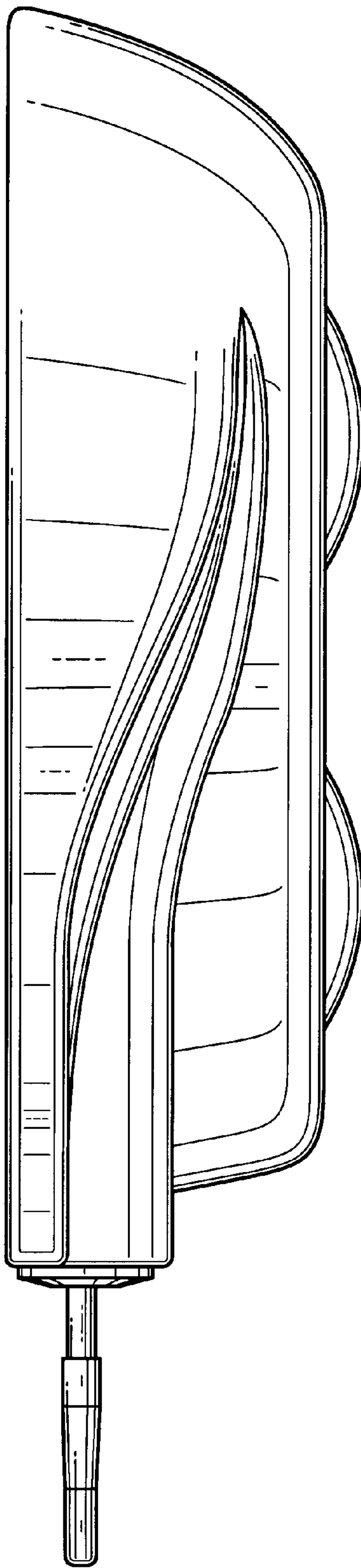


FIG. 2

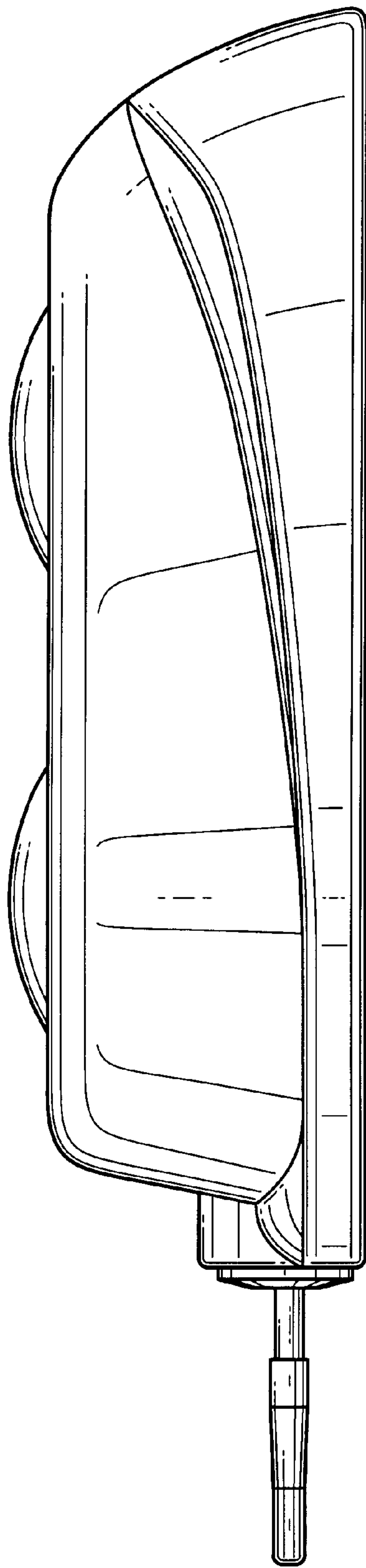


FIG. 3

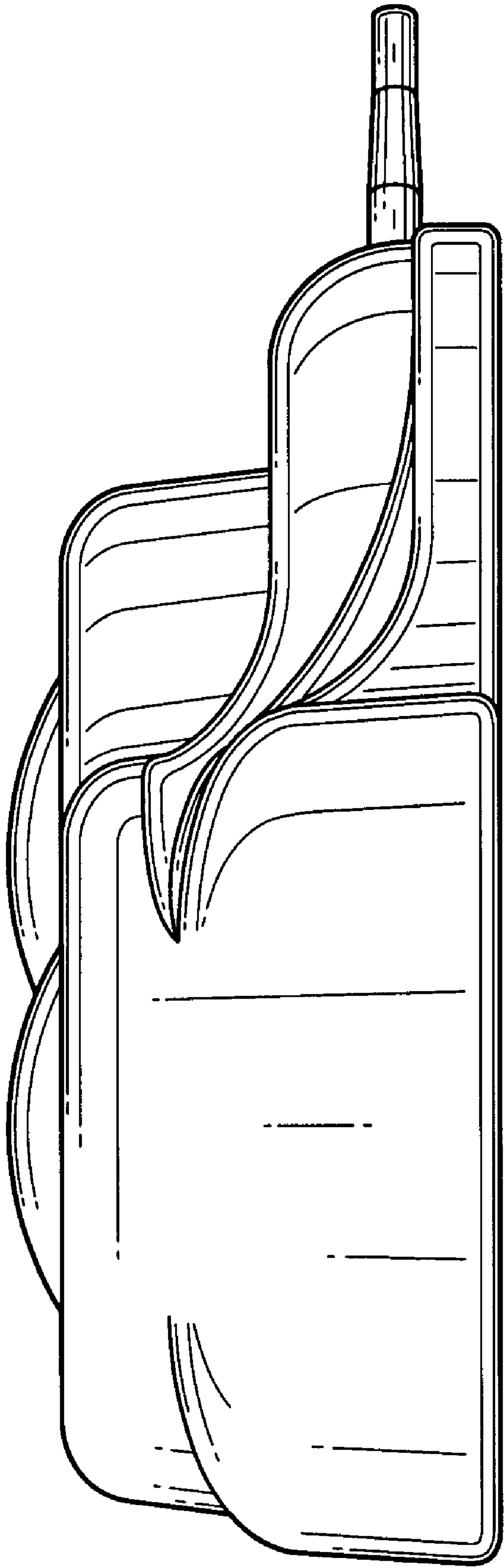


FIG. 4

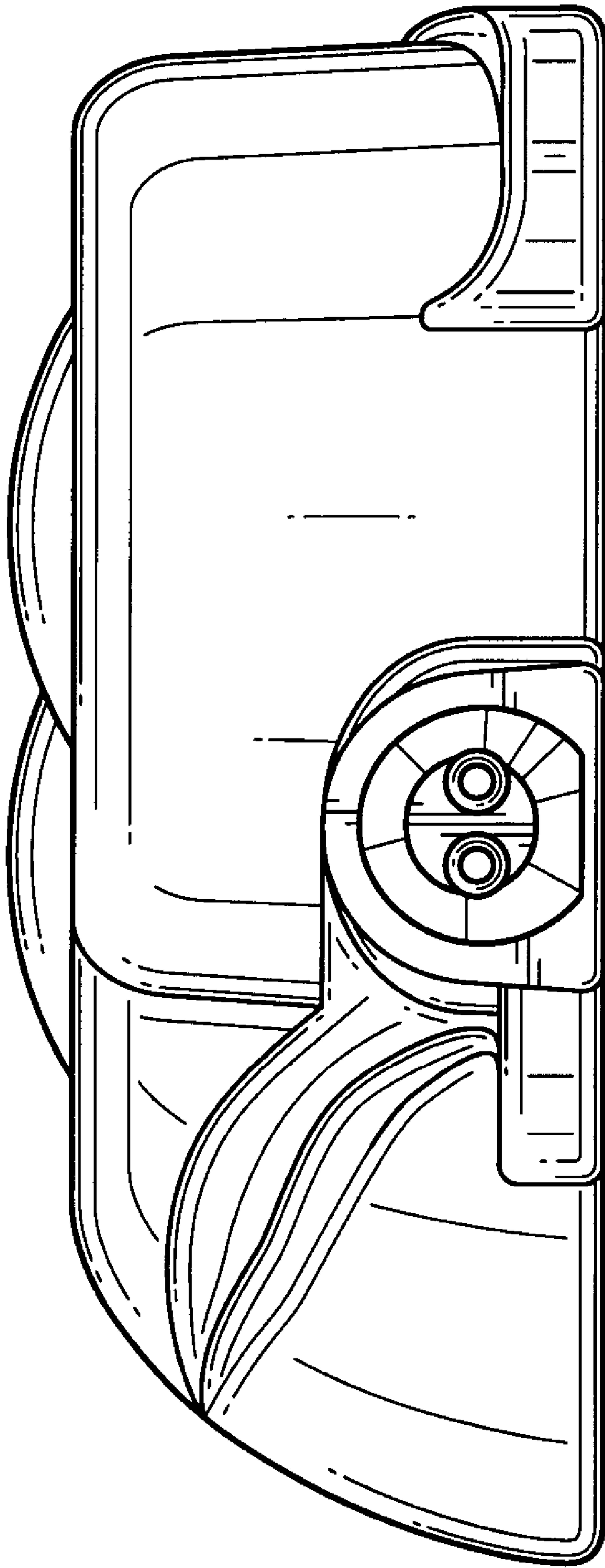


FIG. 5

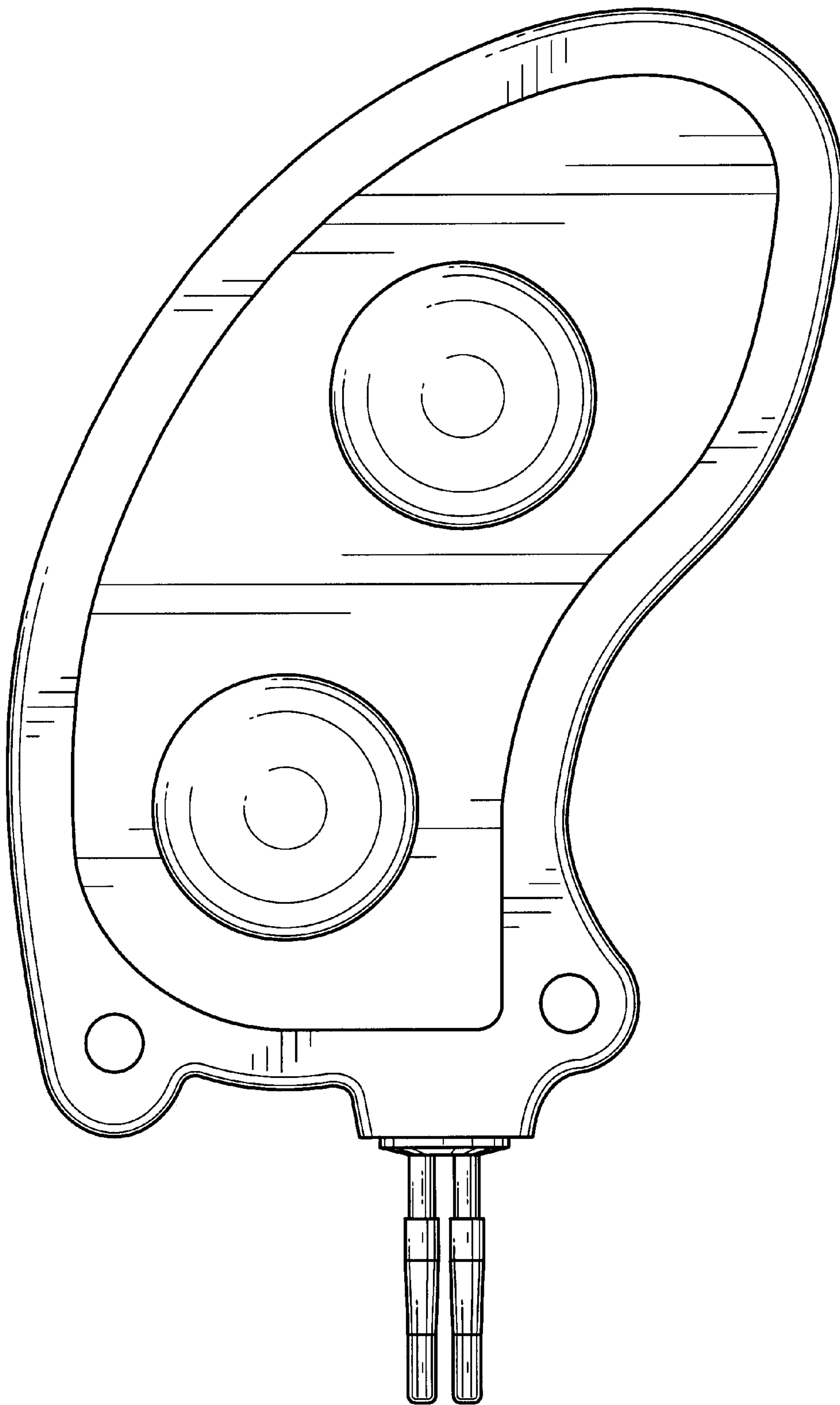


FIG. 6