



US00D450113B1

(12) **United States Design Patent**  
**Teskey**

(10) **Patent No.:** **US D450,113 S**

(45) **Date of Patent:** **\*\* Nov. 6, 2001**

(54) **GRAB HANDLE VENTILATOR**

(75) Inventor: **Robert Teskey**, Newport Coast, CA (US)

(73) Assignee: **Ryadon, Inc.**, Foothill Ranch, CA (US)

(\*\*) Term: **14 Years**

(21) Appl. No.: **29/133,865**

(22) Filed: **Dec. 8, 2000**

(51) **LOC (7) Cl.** ..... **23-04**

(52) **U.S. Cl.** ..... **D23/373**

(58) **Field of Search** ..... D23/373, 393,  
D23/386; 454/143, 145, 149, 158, 273,  
333

(56) **References Cited**

**U.S. PATENT DOCUMENTS**

D. 390,943	*	2/1998	Kelly	.....	D23/373
3,358,576	*	12/1967	Kelly et al.	.....	454/145
3,375,772	*	4/1968	Kelly et al.	.....	454/143
3,672,291	*	6/1972	Kujawa, Jr.	.....	454/145
3,763,760	*	10/1973	Erickson	.....	454/145
3,839,950	*	10/1974	Kelly et al.	.....	454/145
5,766,068	*	6/1998	Kelly	.....	454/145
6,126,538	*	10/2000	Kelly et al.	.....	454/143

\* cited by examiner

*Primary Examiner*—Mitchell Siegel

(74) *Attorney, Agent, or Firm*—Fulwider Patton Lee & Utecht, LLP

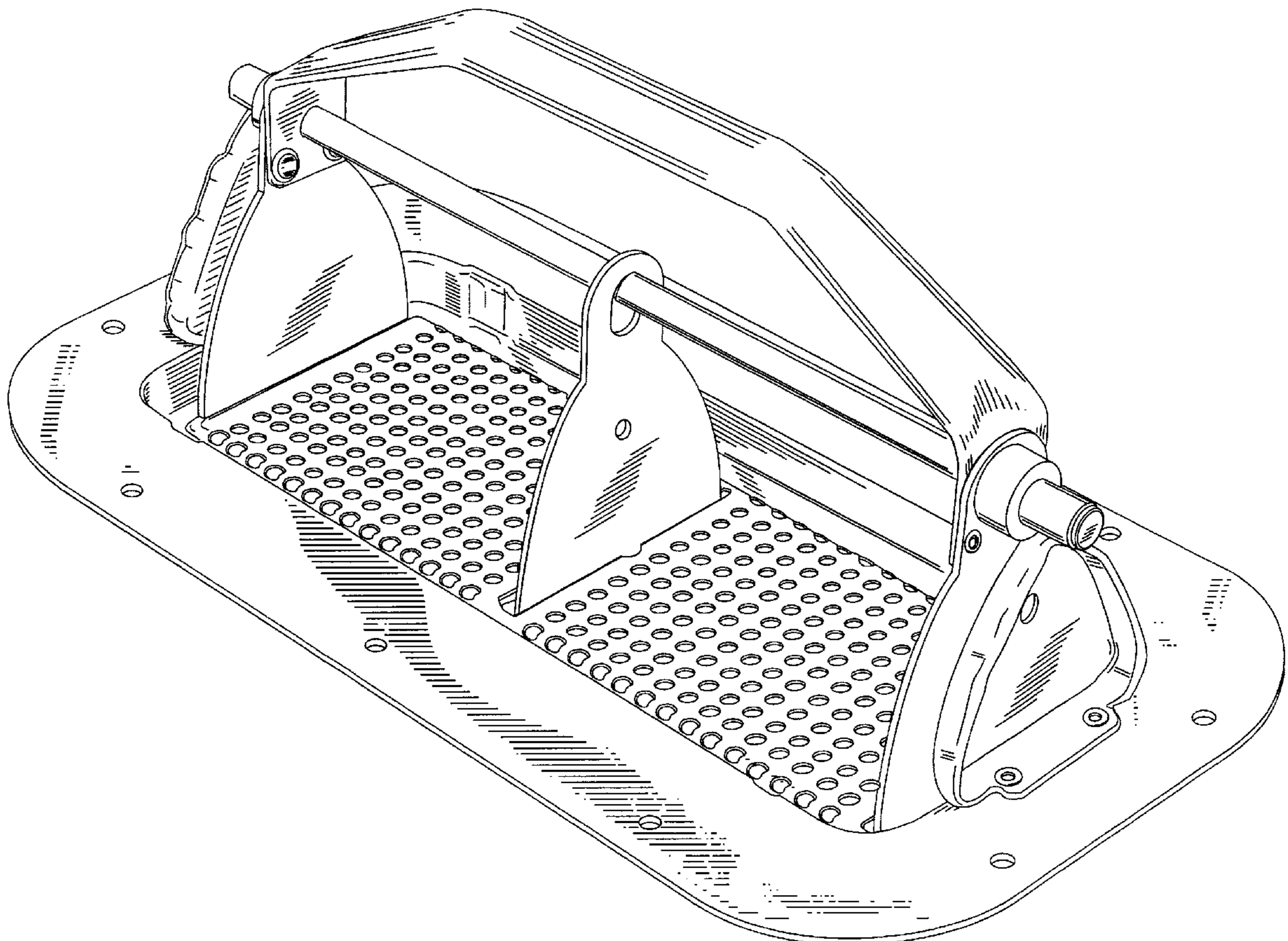
(57) **CLAIM**

The ornamental design for a grab handle ventilator, as shown and described.

**DESCRIPTION**

FIG. 1 is a top perspective view showing my new design in a closed position;  
 FIG. 2 is a bottom view, thereof;  
 FIG. 3 is a top view, thereof;  
 FIG. 4 is an end view, thereof;  
 FIG. 5 is a side view, thereof;  
 FIG. 6 is a bottom perspective view showing my design in an open position, thereof;  
 FIG. 7 is a top perspective view showing my design in an open position;  
 FIG. 8 is a bottom view, thereof;  
 FIG. 9 is a top view, thereof;  
 FIG. 10 is an end view, thereof;  
 FIG. 11 is a bottom side view, thereof;  
 FIG. 12 is a top side view, thereof; and,  
 FIG. 13 is a side view, thereof.

**1 Claim, 13 Drawing Sheets**



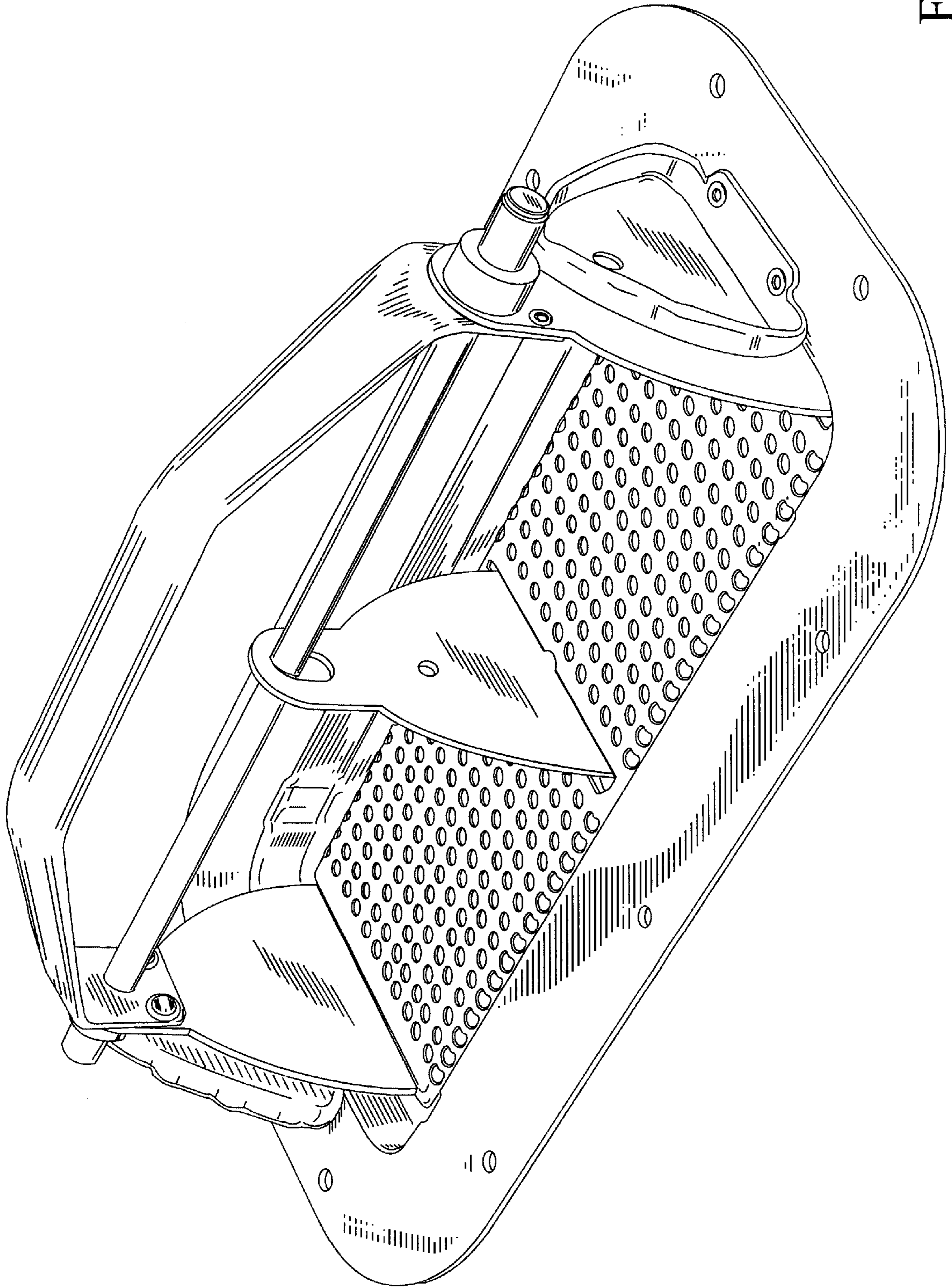


Fig. 1

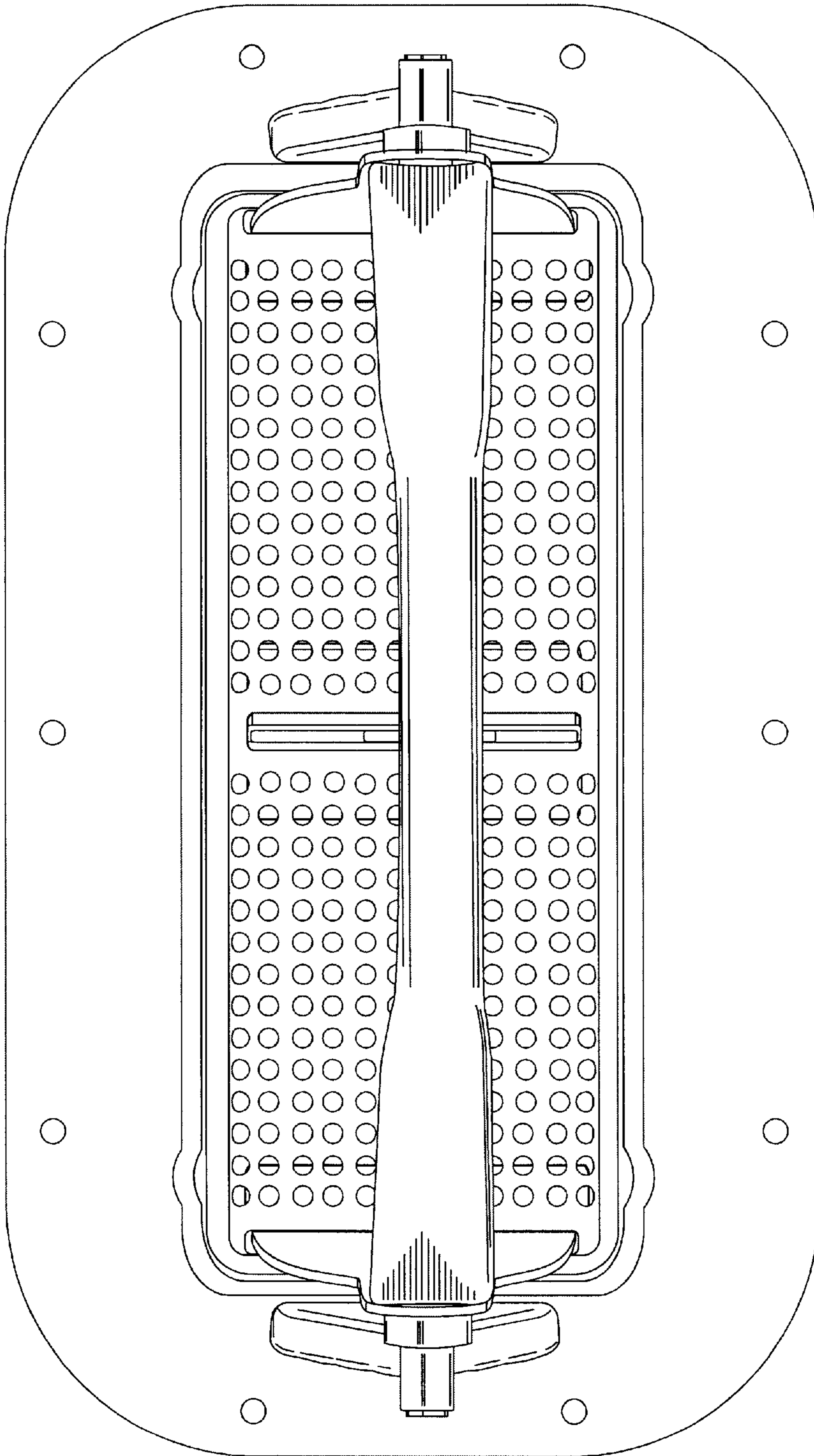


Fig. 2

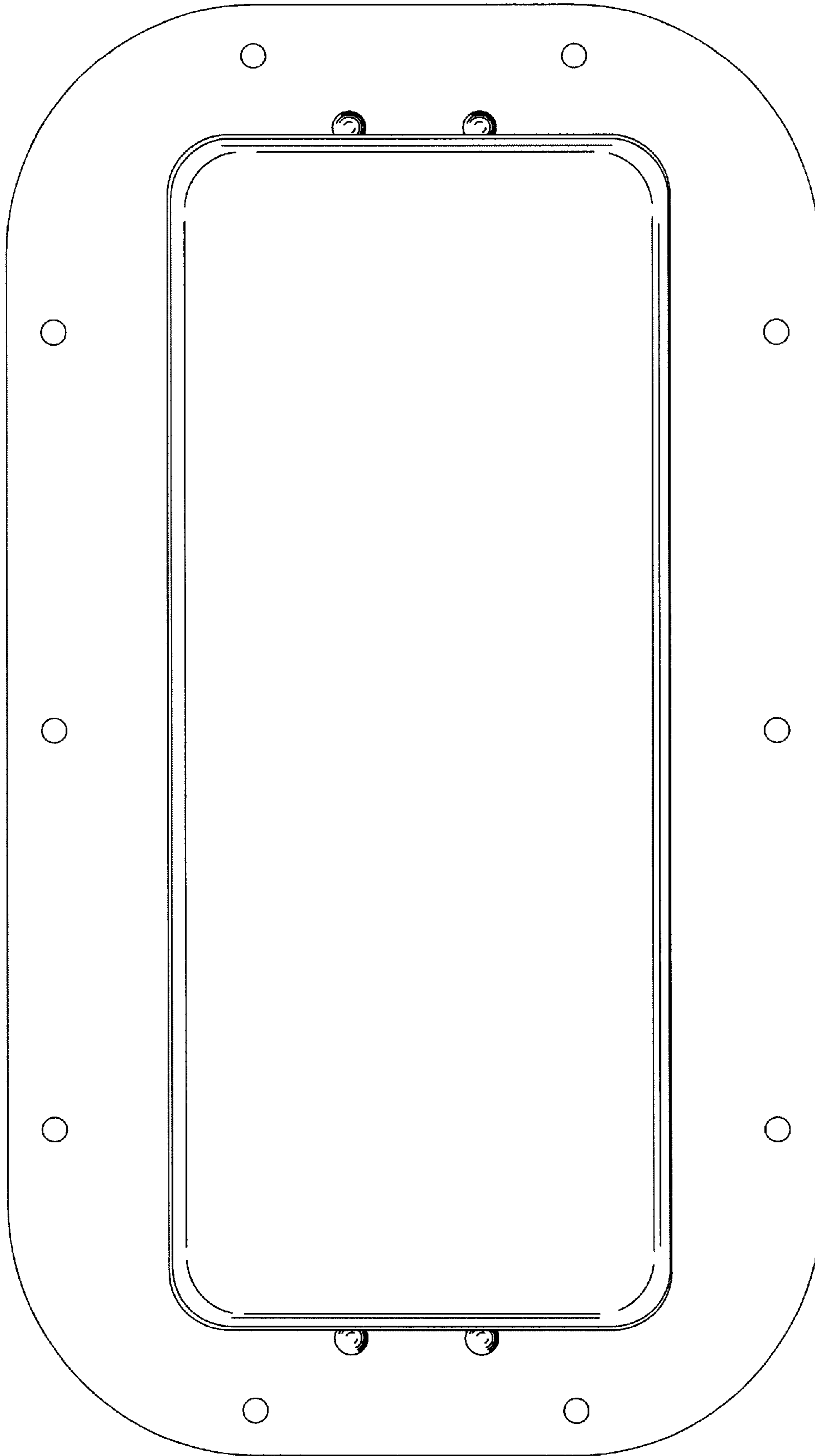


Fig. 3

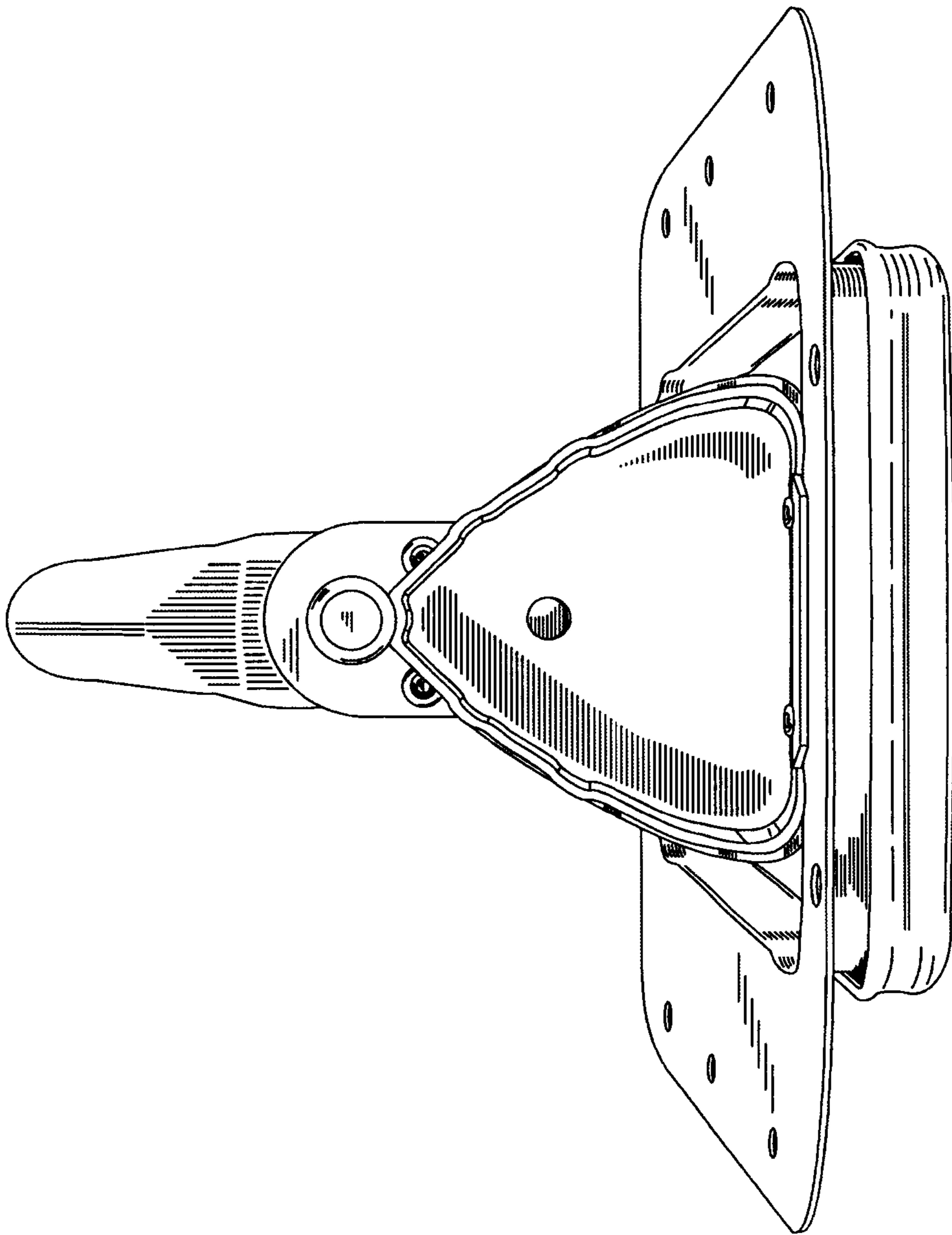


Fig. 4

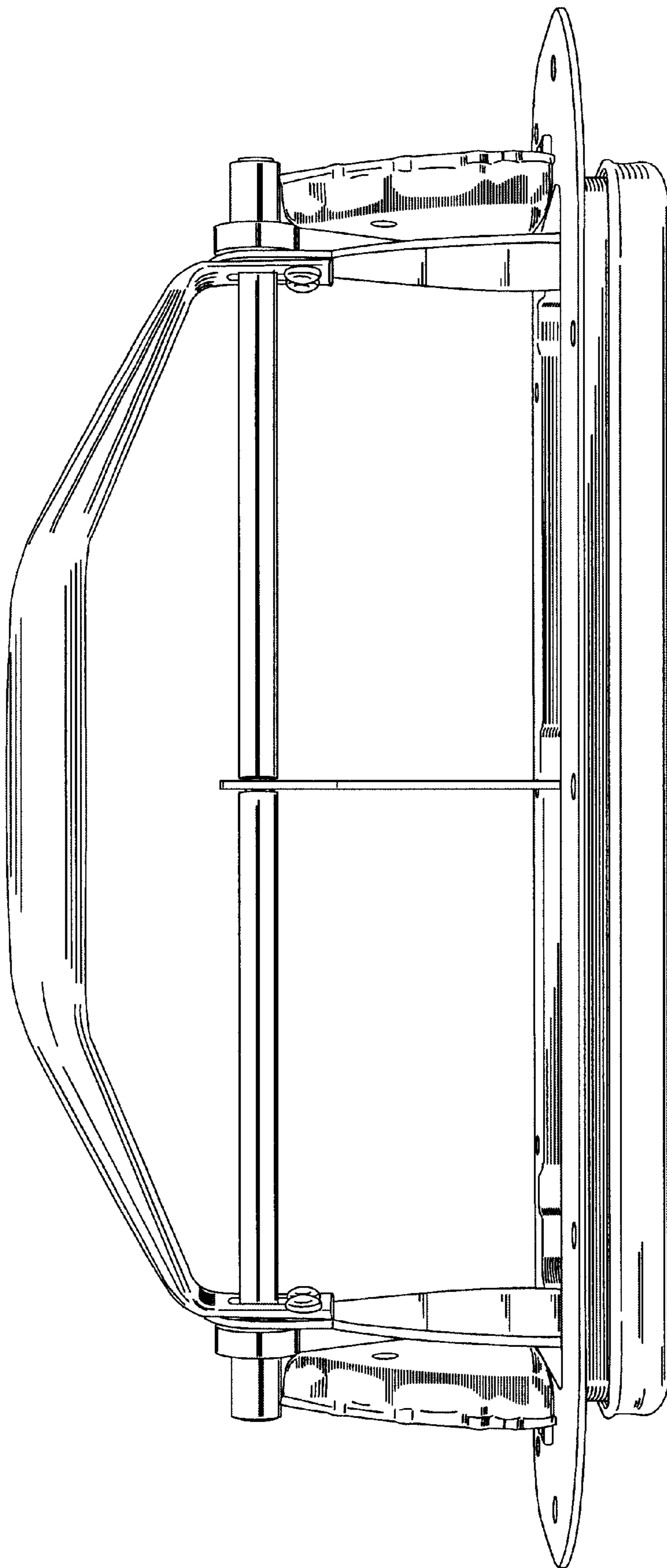


Fig. 5

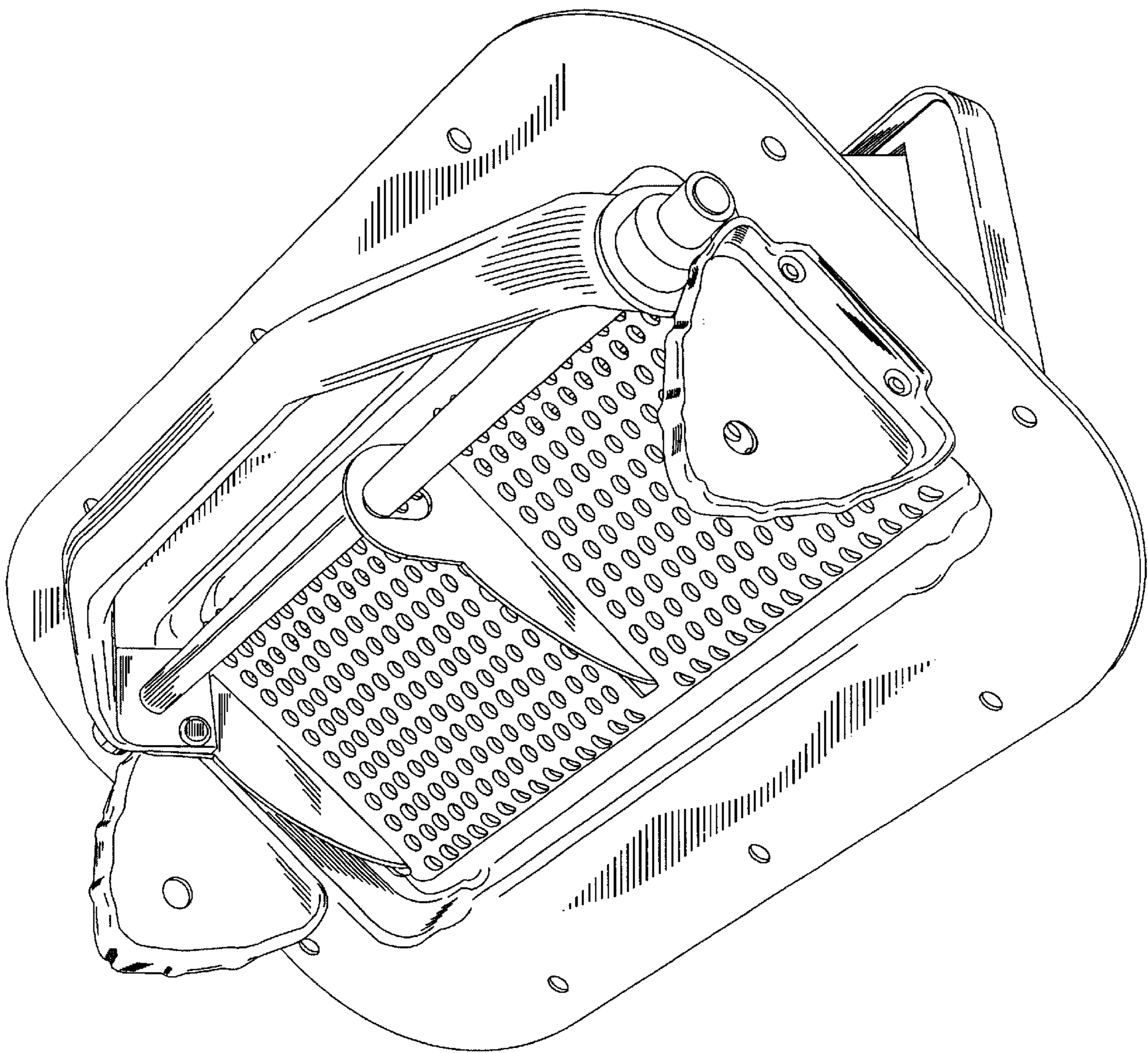


Fig. 6

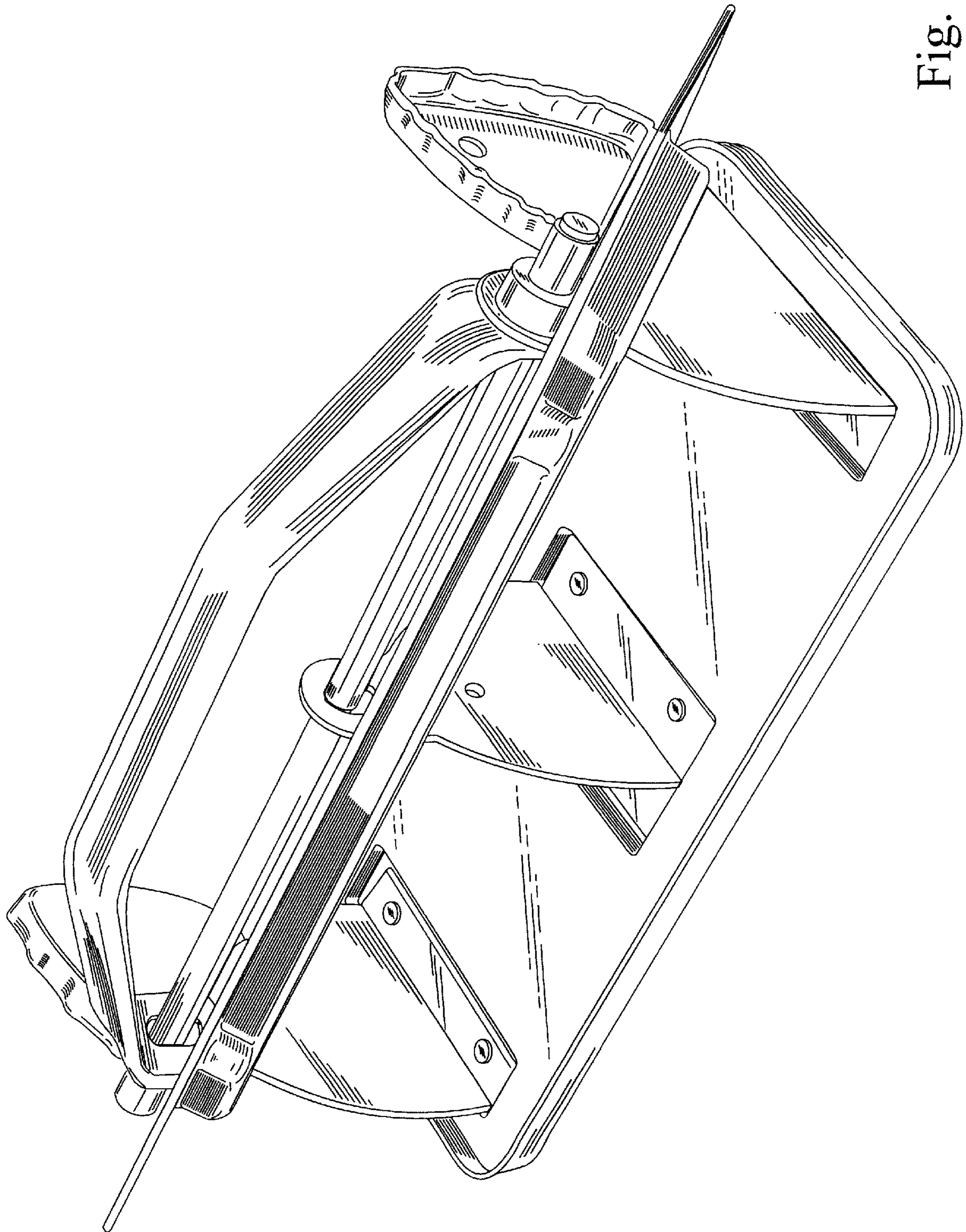


Fig. 7



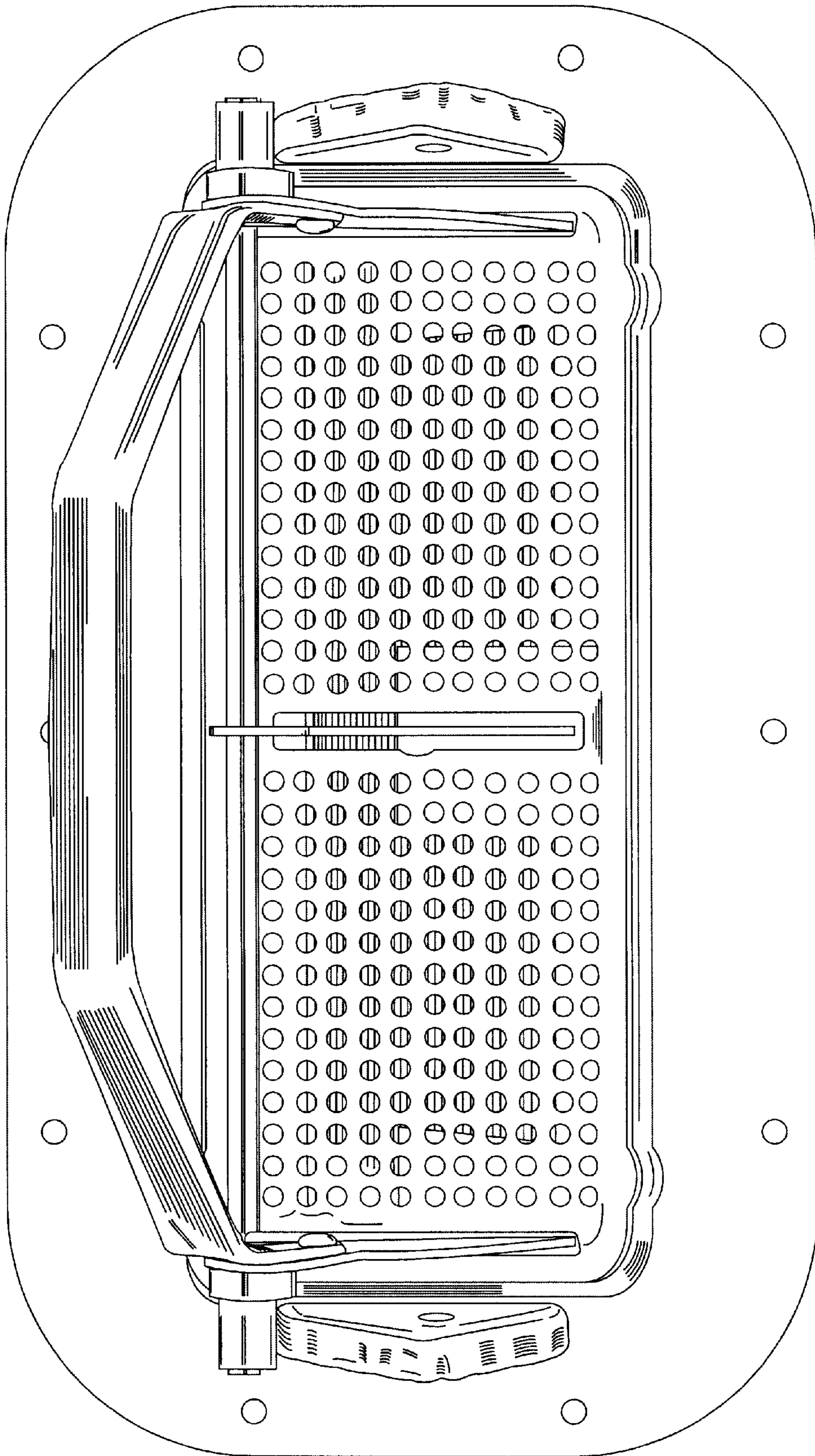


Fig. 8

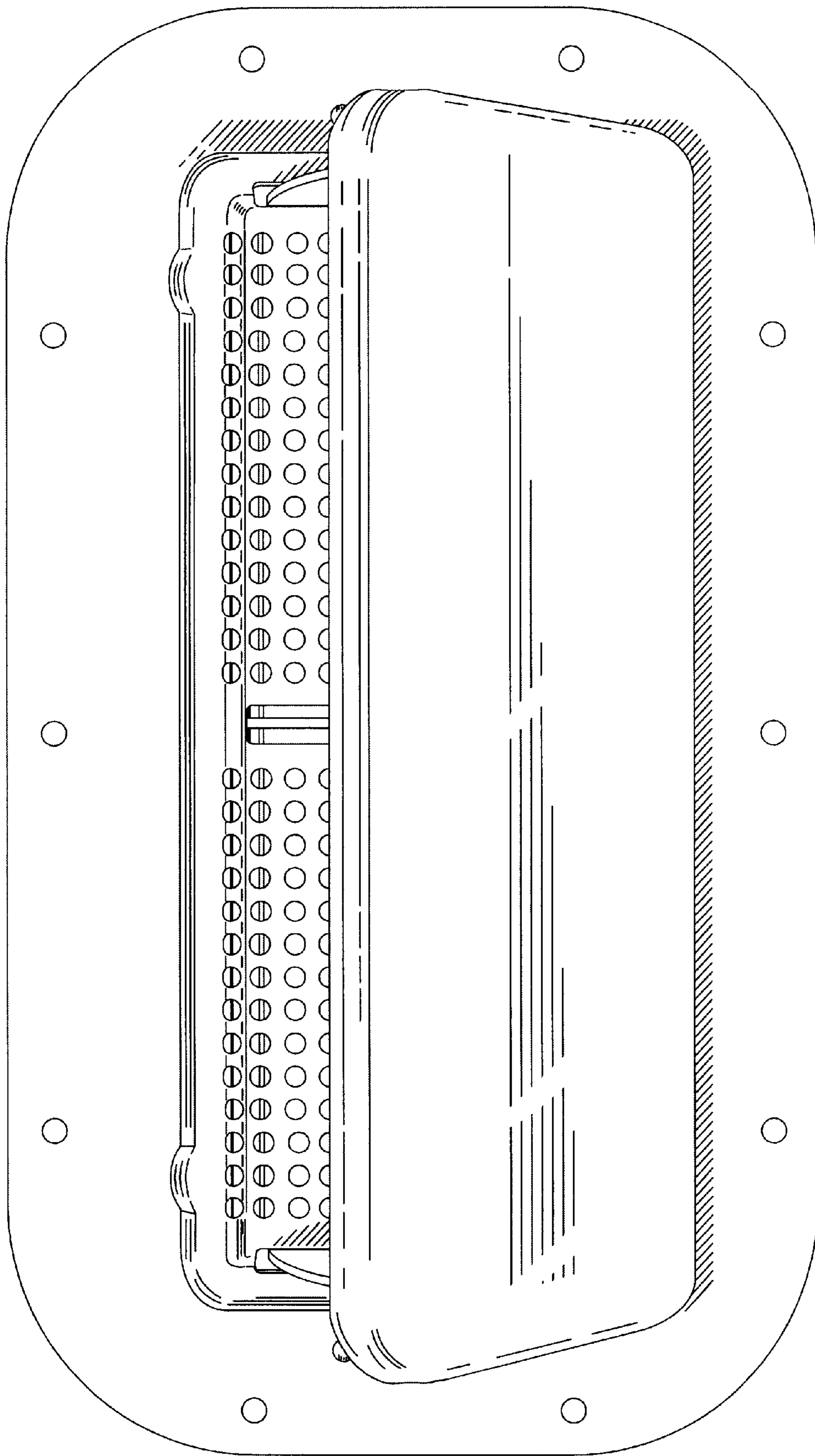


Fig. 9

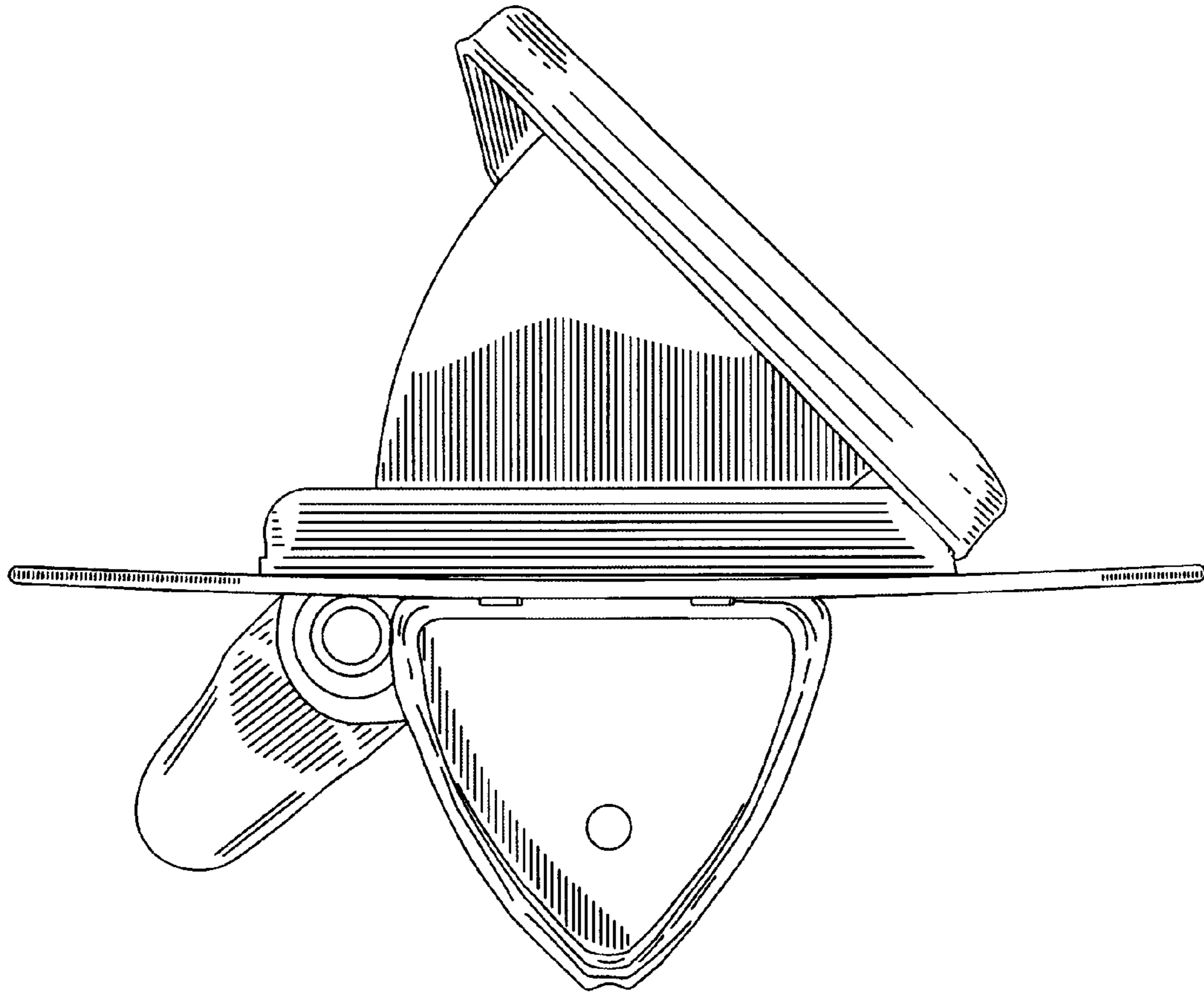


Fig. 10

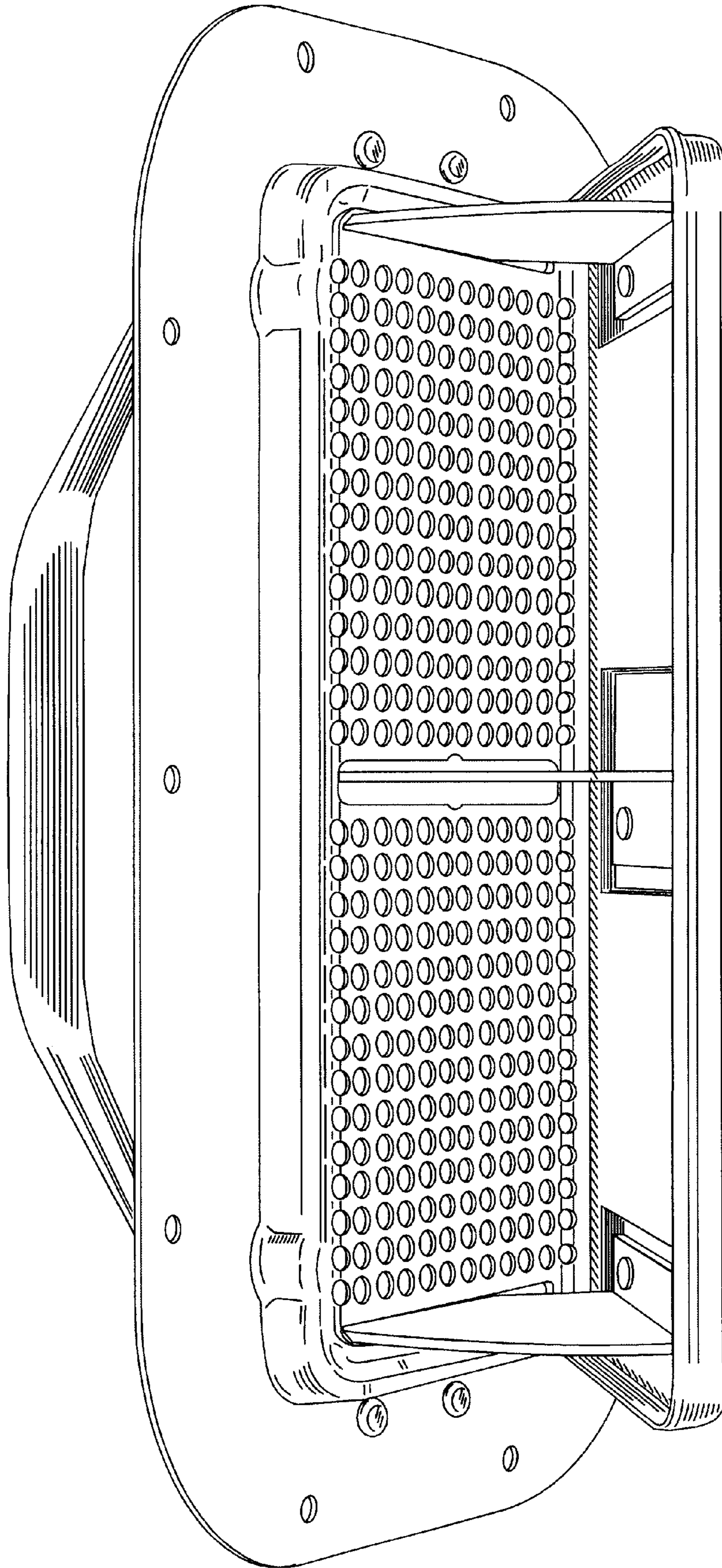


Fig. 11

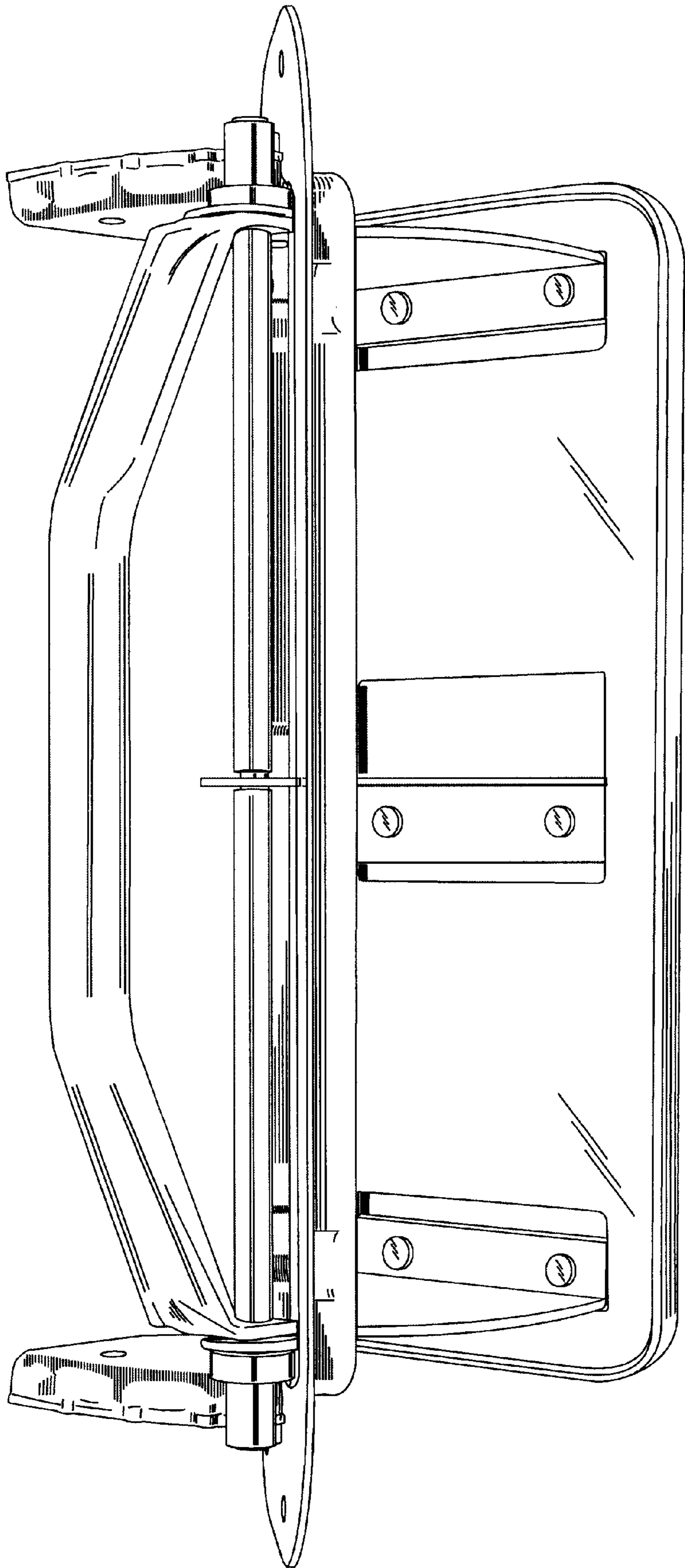


Fig. 12

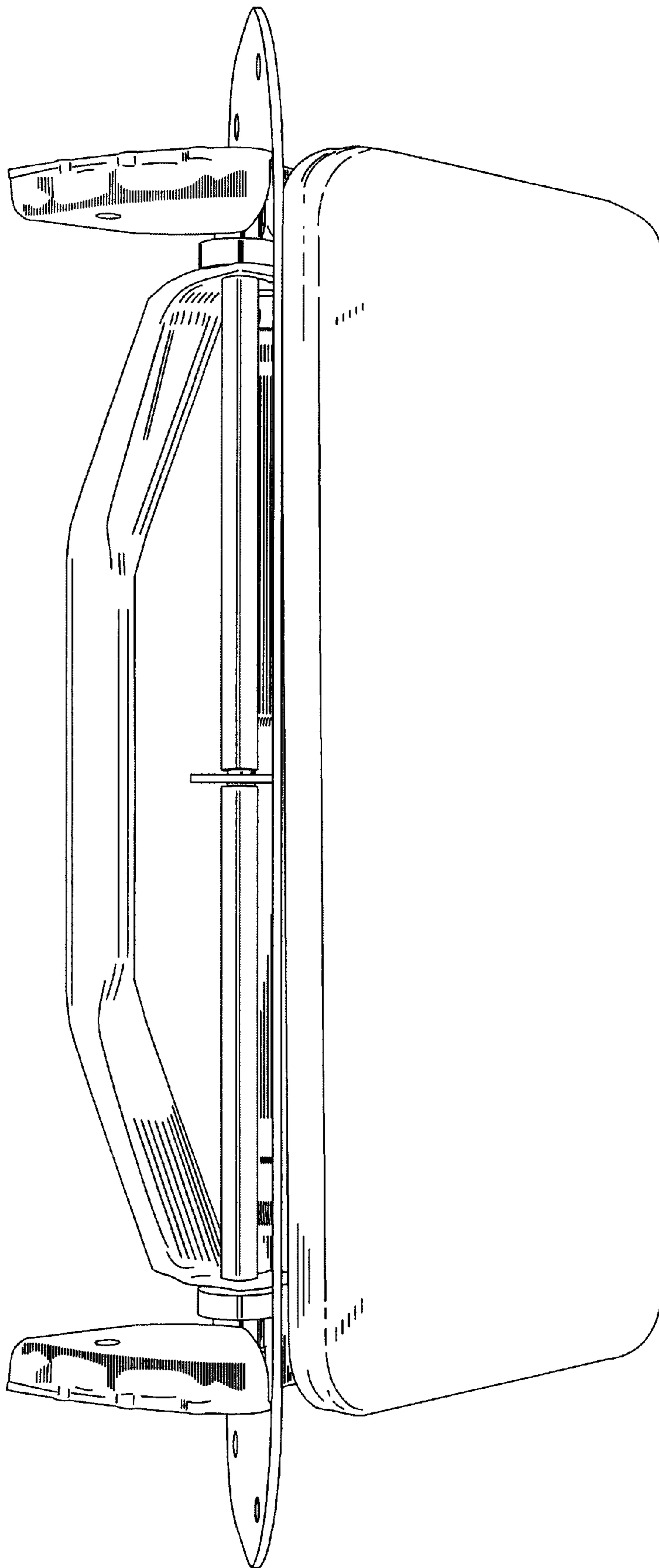


Fig. 13