



US00D450112B1

(12) **United States Design Patent**
Longley

(10) **Patent No.:** **US D450,112 S**

(45) **Date of Patent:** **** Nov. 6, 2001**

(54) **AIR FRESHENER**

5,845,847 12/1998 Martin et al. .

(76) Inventor: **Rodger S Longley**, 672 Middle Rd.,
Oswego, NY (US) 13126

* cited by examiner

Primary Examiner—Lisa Lichtenstein

(**) Term: **14 Years**

(57) **CLAIM**

(21) Appl. No.: **29/133,859**

The ornamental design for a air freshener, as shown and described.

(22) Filed: **Dec. 8, 2000**

DESCRIPTION

(51) **LOC (7) Cl.** **23-04**

(52) **U.S. Cl.** **D23/368**

(58) **Field of Search** D23/366-369;
239/53-60, 34; 422/305; D9/414

FIG. 1 is a front elevational view of the air freshener of the present invention;
FIG. 2 is a rear elevational view of the air freshener of FIG. 1;
FIG. 3 is a top plan view of the air freshener of FIG. 1;
FIG. 4 is a bottom plan view of the air freshener of FIG. 1;
FIG. 5 is a right side elevational view of the air freshener of FIG. 1; and,
FIG. 6 is a left side elevational view of the air freshener of FIG. 1.

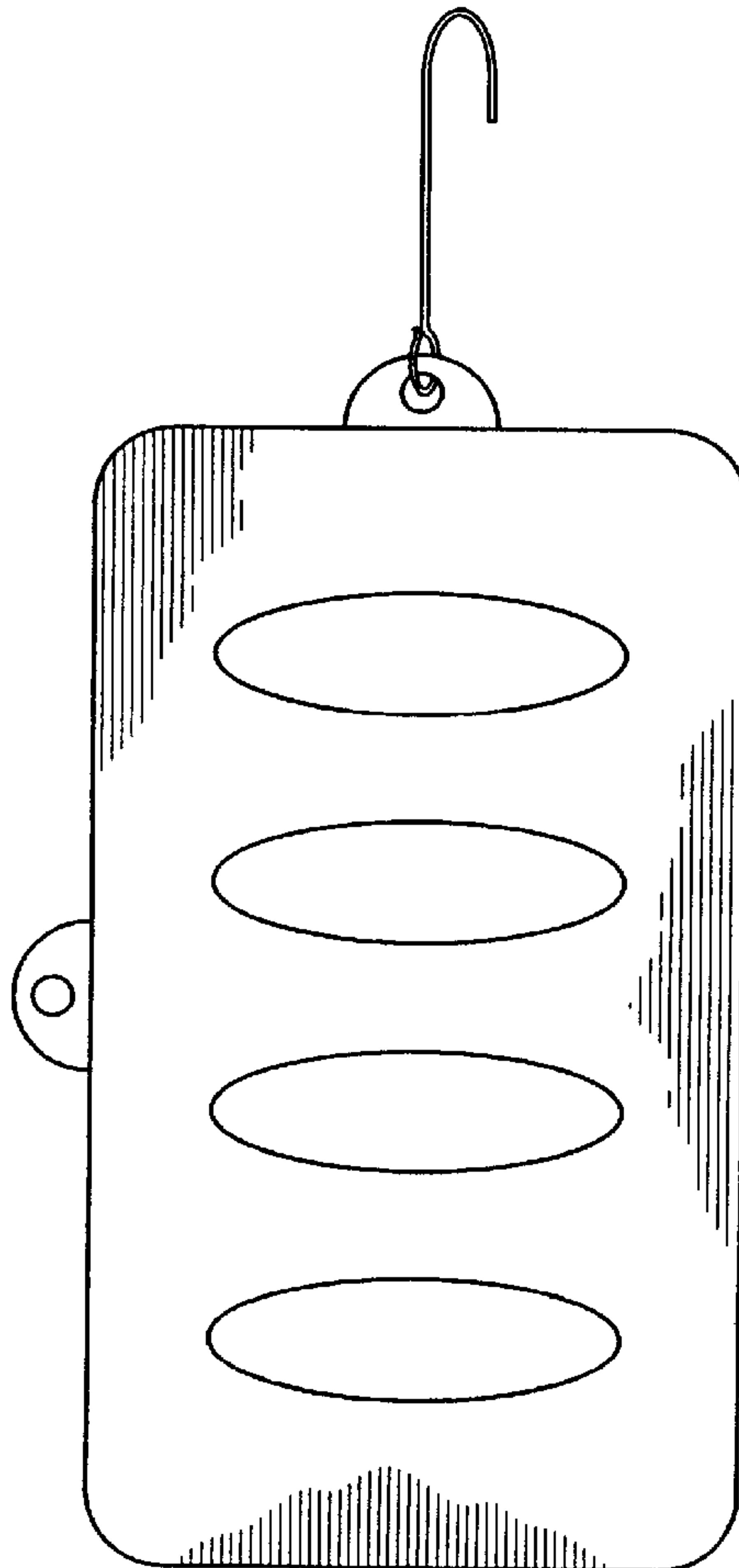
(56) **References Cited**

U.S. PATENT DOCUMENTS

D. 376,420	12/1996	Rymer .	
D. 384,408	* 9/1997	Foreman	D23/366
D. 389,565	* 1/1998	Scheuer et al.	D23/366
1,769,409	* 7/1930	Armstrong	239/60
4,583,686	4/1986	Martens et al. .	
4,617,157	10/1986	Stein et al. .	
5,478,505	12/1995	McElfresh et al. .	
5,524,609	6/1996	Krull .	

The broken line showing of magnetic strips in FIGS. 2,3,4,5 and 6 is for illustrative purposes only and forms no part of the claimed design.

1 Claim, 4 Drawing Sheets



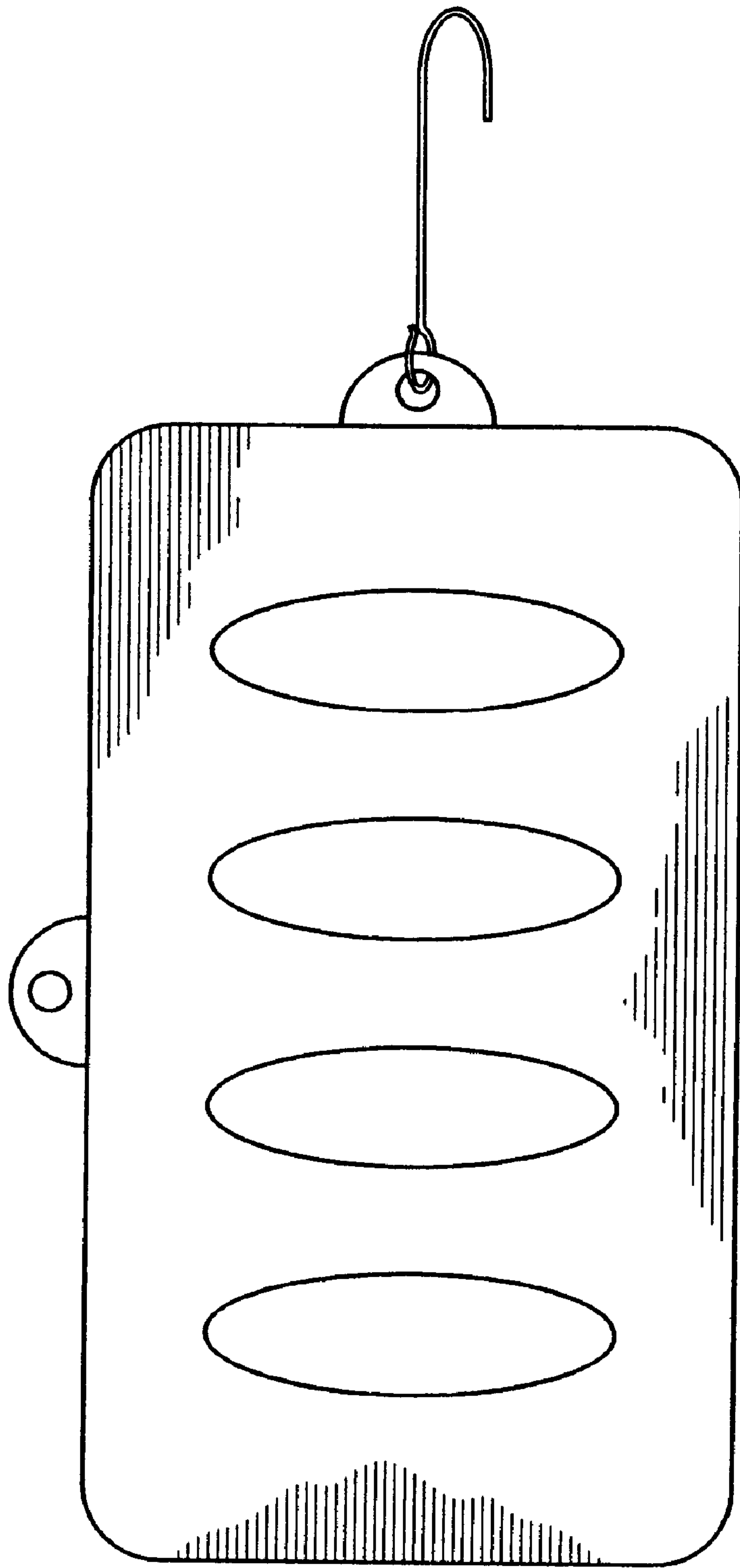


FIG. 1

FIG. 2

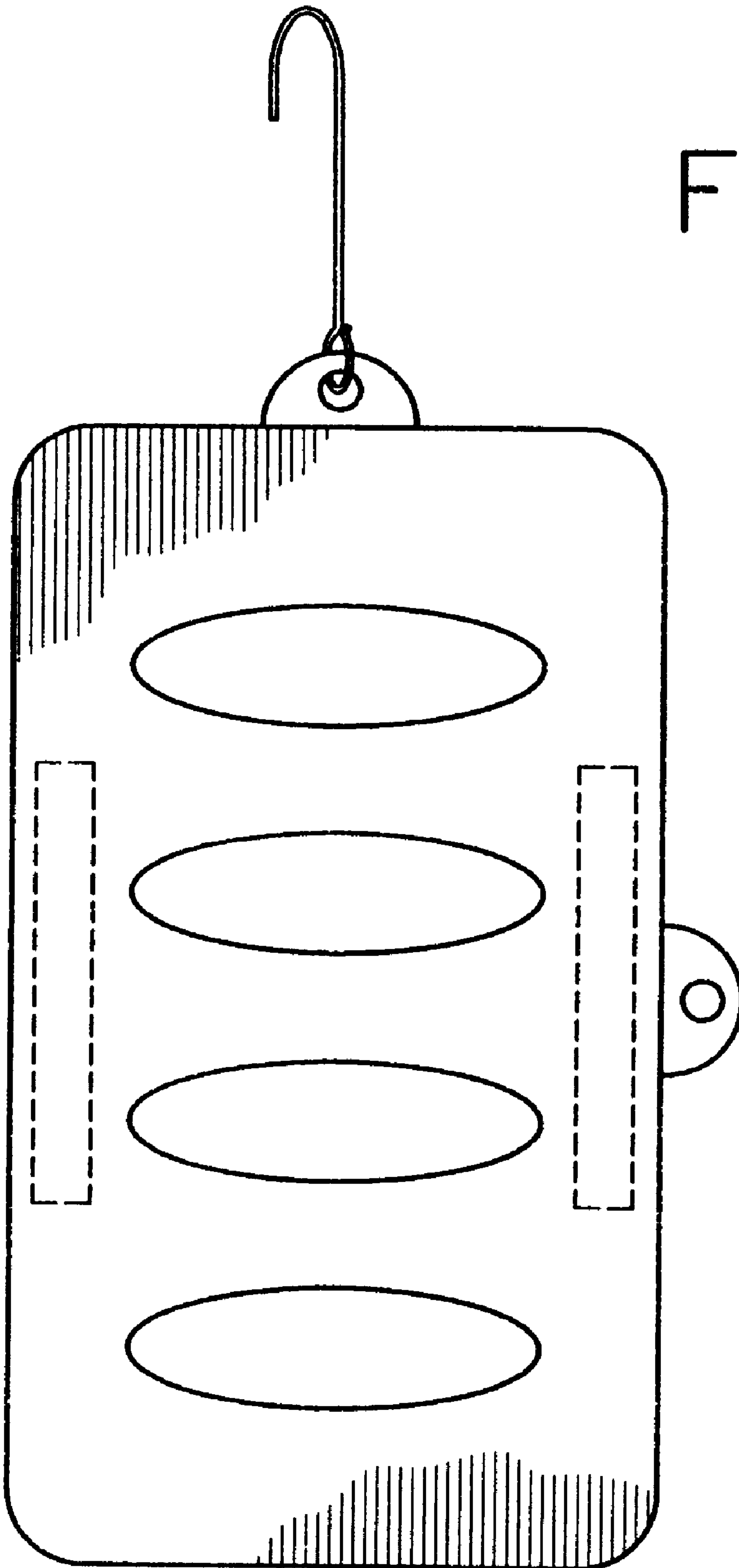


FIG.3

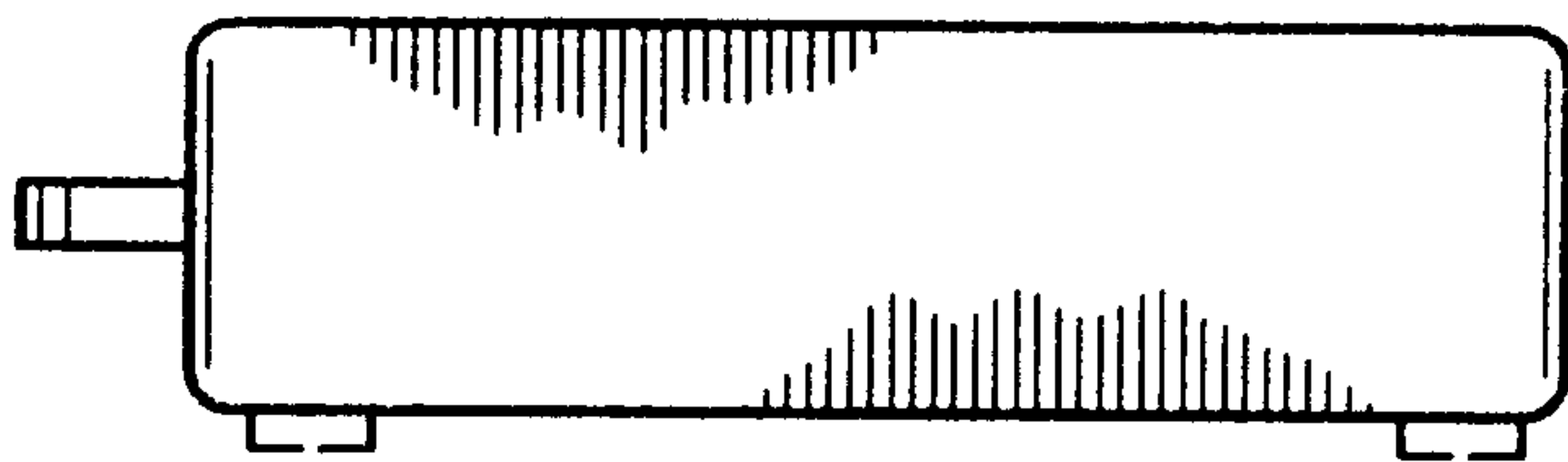
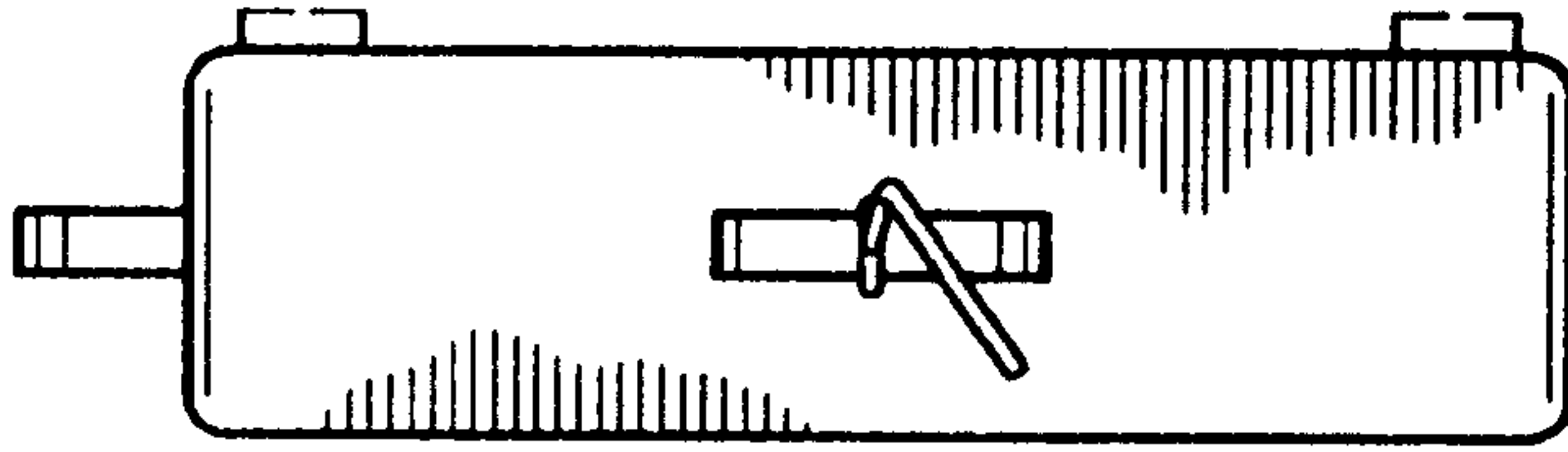


FIG.4

FIG. 6

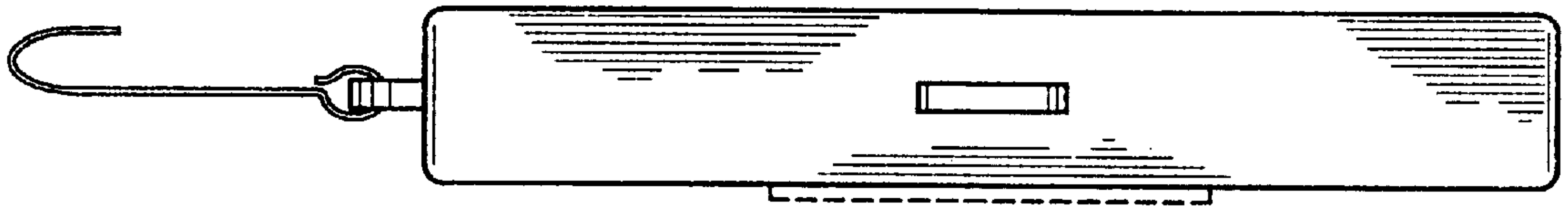


FIG. 5

