



US00D450111B1

(12) **United States Design Patent**
Stanley et al.

(10) **Patent No.:** **US D450,111 S**

(45) **Date of Patent:** **** Nov. 6, 2001**

(54) **AIR PURIFIER**

D. 399,942 * 10/1998 Carroll et al. D23/364

* cited by examiner

(75) Inventors: **Kenneth A. Stanley; Dannon C. Stanley; John H. Stanley**, all of Port St. Lucie, FL (US)

Primary Examiner—Lisa Lichtenstein
(74) *Attorney, Agent, or Firm*—Karen Lee Orzechowski; Liniak, Berenato, Longacre & White

(73) Assignee: **Stanley Technology, Inc.**, Port St. Lucie, FL (US)

(57) **CLAIM**

(**) Term: **14 Years**

The ornamental design for an air purifier, as shown and described.

(21) Appl. No.: **29/134,868**

DESCRIPTION

(22) Filed: **Jan. 3, 2001**

FIG. 1 is front elevational view of an air purifier showing our new design;

(51) **LOC (7) Cl.** **23-04**

FIG. 2 is a rear elevational view thereof;

(52) **U.S. Cl.** **D23/364**

FIG. 3 is a left view of the air purifier;

(58) **Field of Search** D23/355, 364,
D23/365; 96/97

FIG. 4 is a right elevational view thereof;

FIG. 5 is a top elevational view thereof;

FIG. 6 is a bottom elevational view thereof; and,

FIG. 7 is a perspective view thereof.

(56) **References Cited**

U.S. PATENT DOCUMENTS

- D. 349,566 * 8/1994 O'Grady D23/364
- D. 392,731 * 3/1998 Hulsebus et al. D23/364
- D. 394,311 * 5/1998 Seaman et al. D23/364

The broken line showing of environmental structure in FIGS. 3–6 is for illustrative purposes only and forms no part of the claimed design.

1 Claim, 5 Drawing Sheets

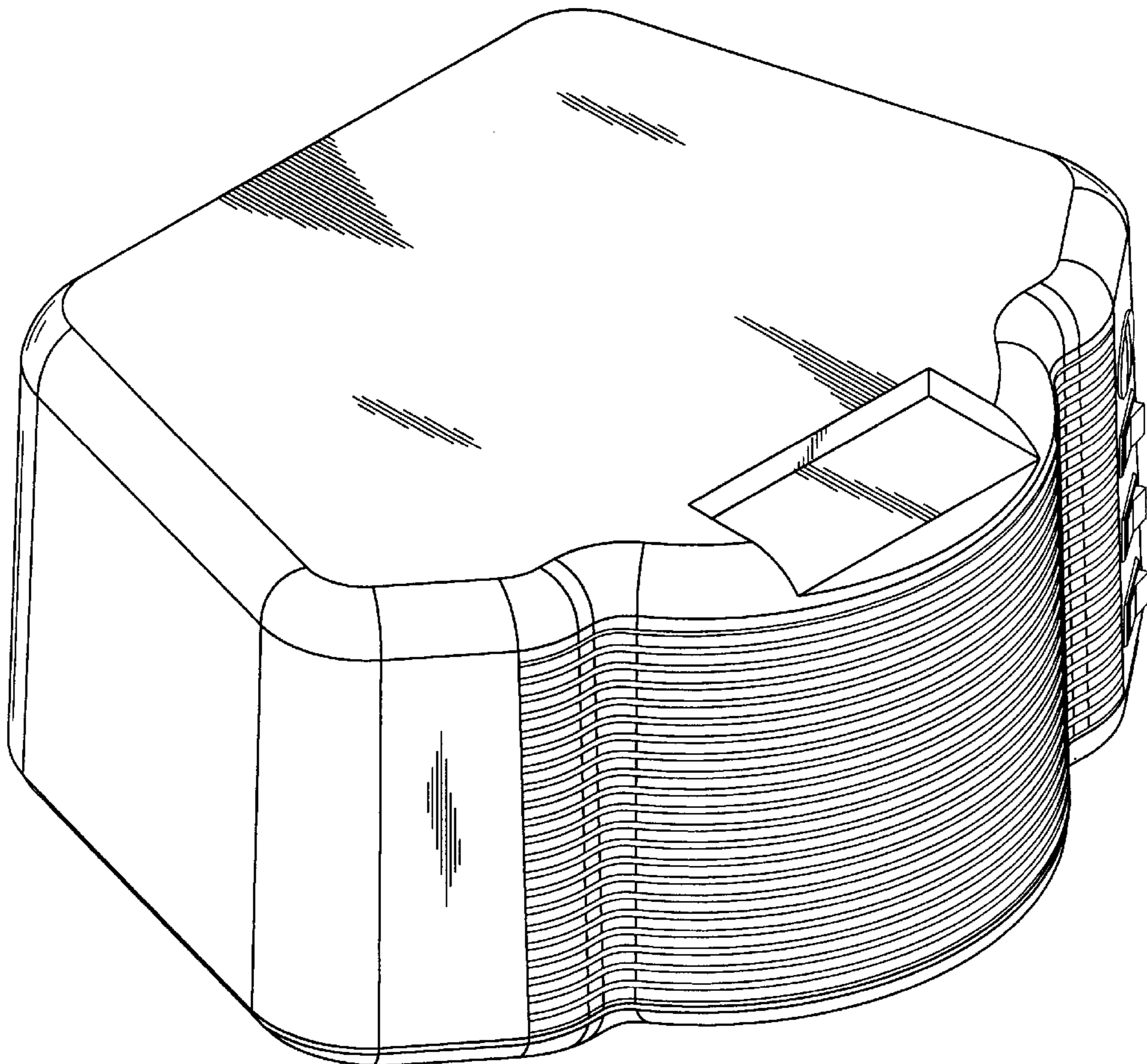


Fig. 1

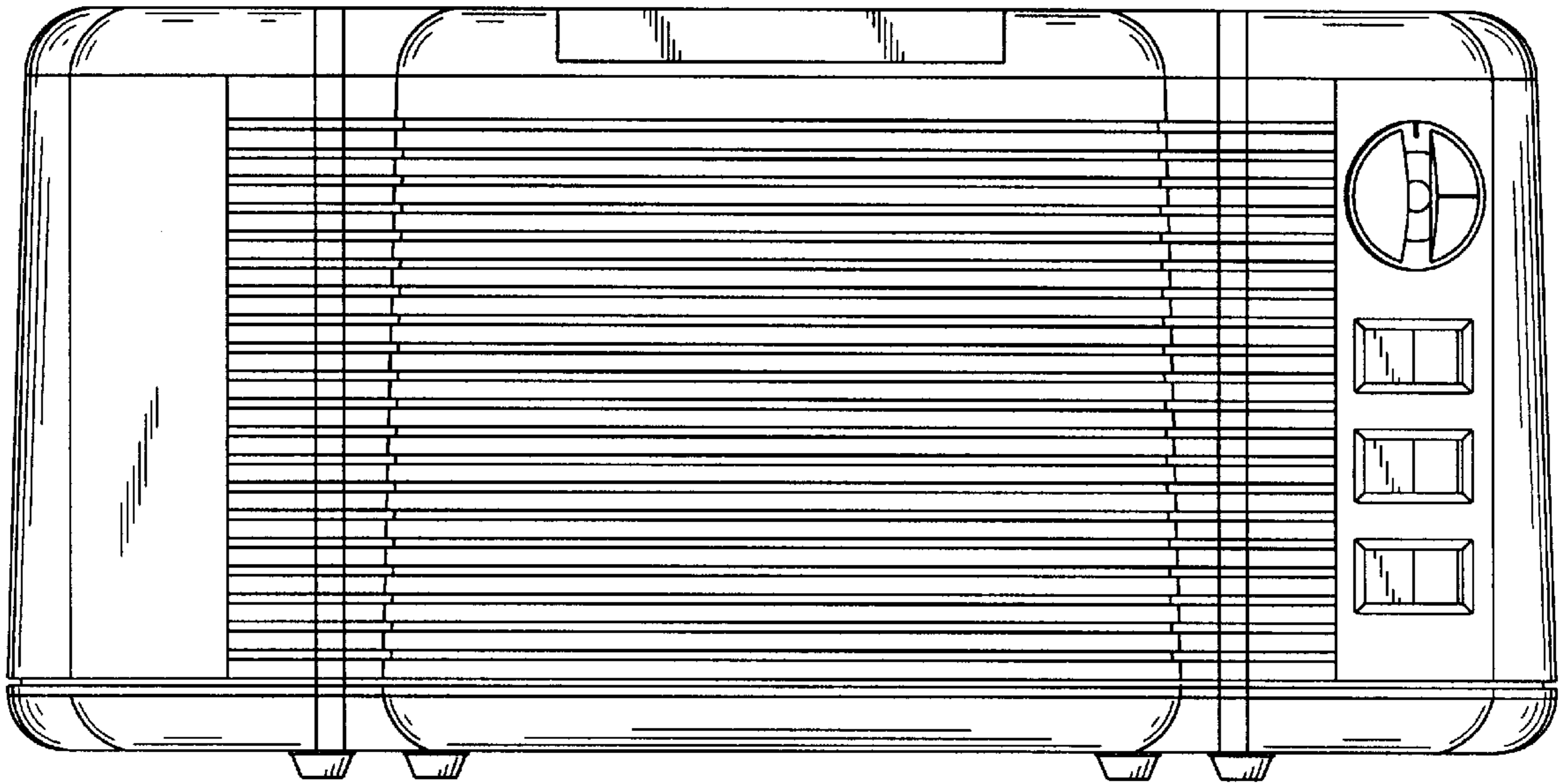


Fig. 2

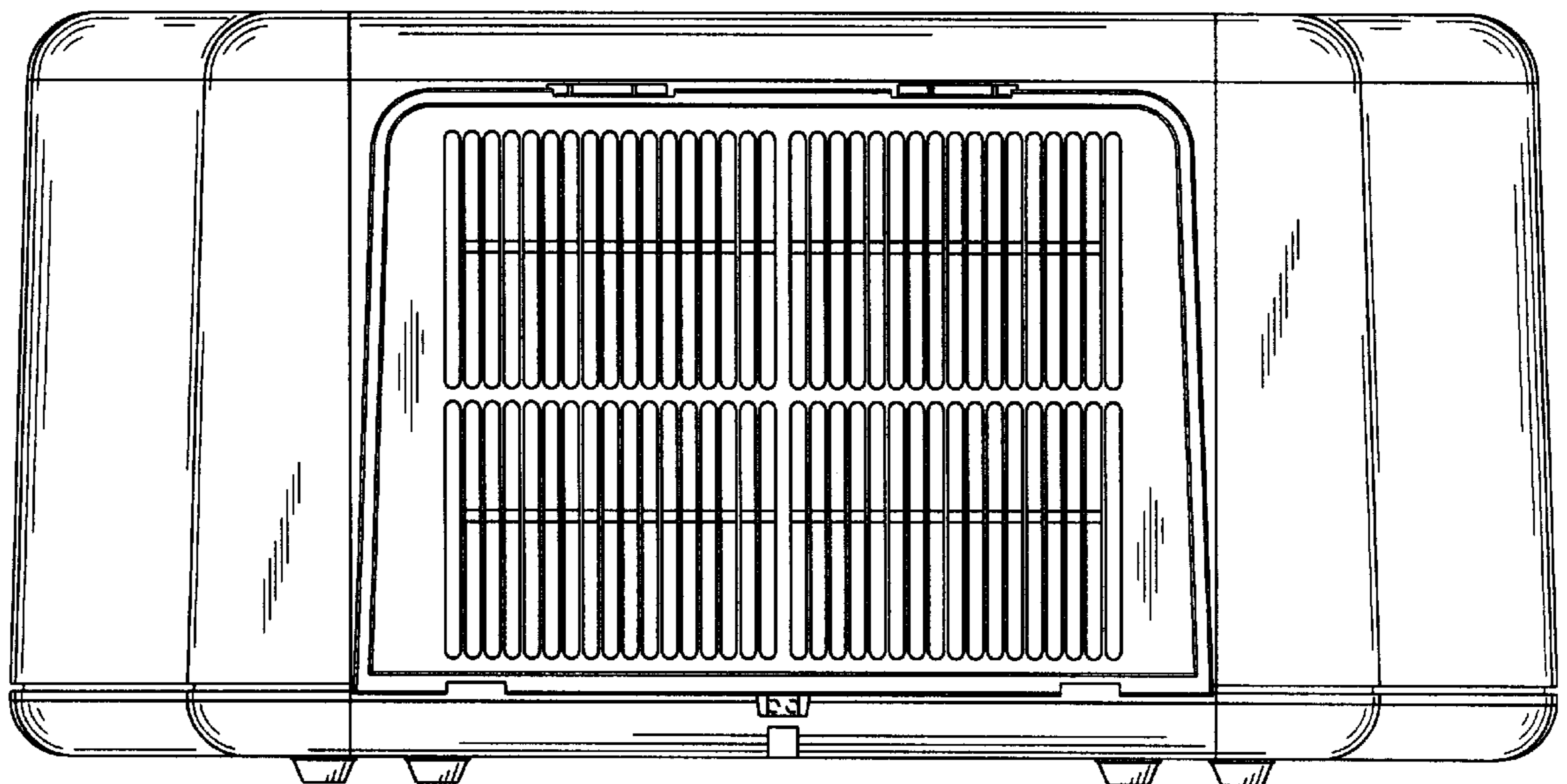


Fig. 3

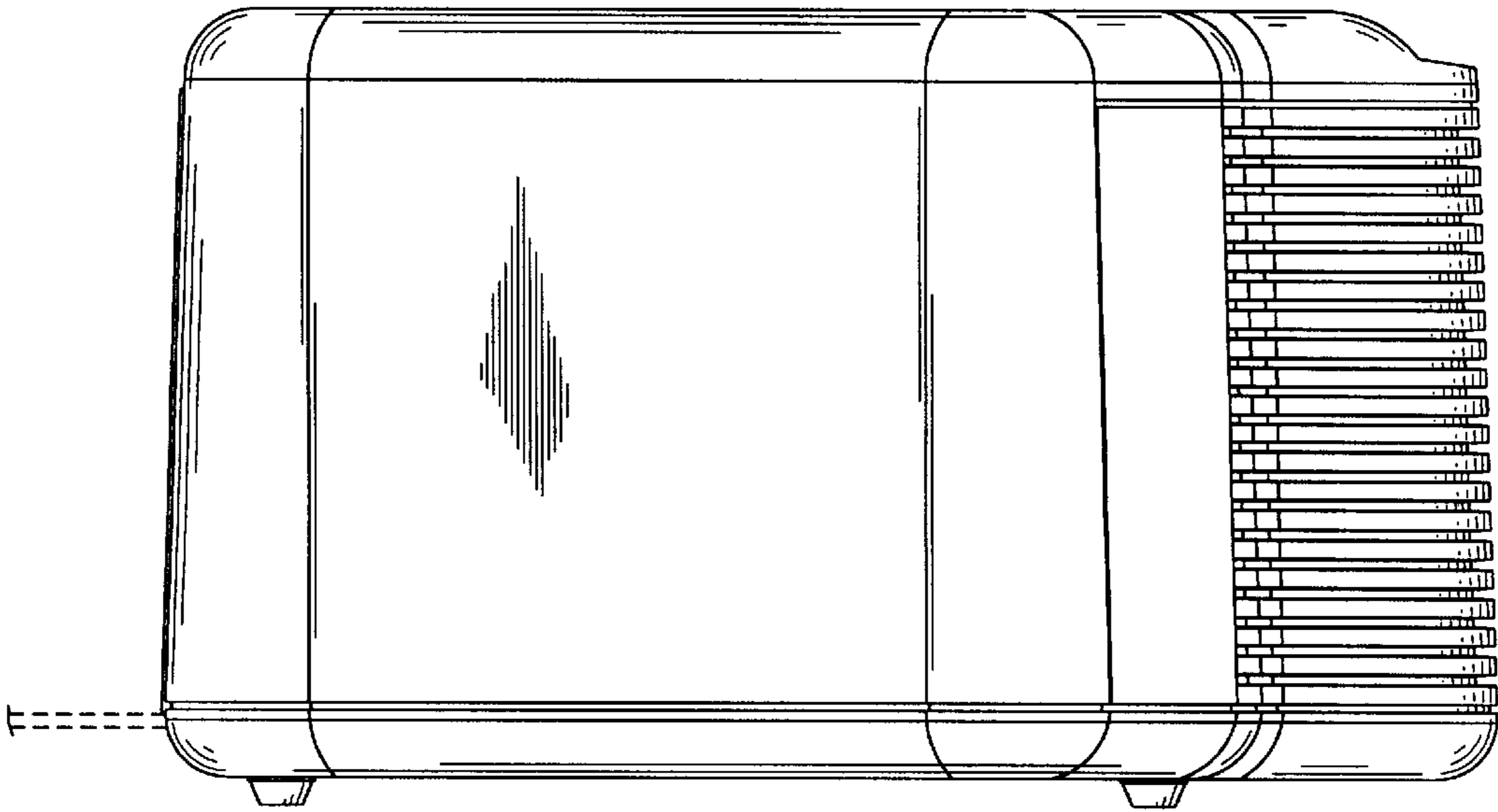
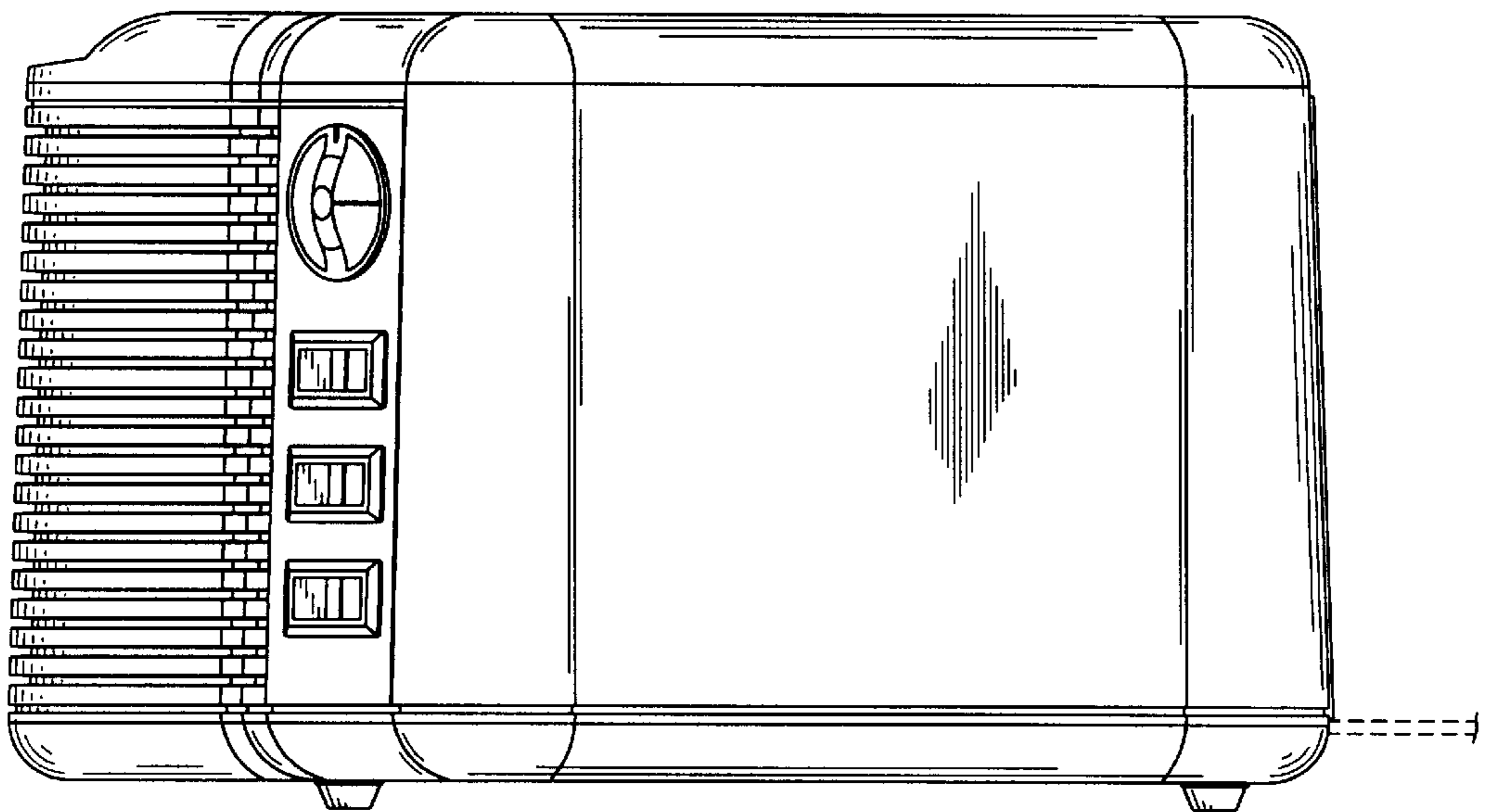


Fig. 4



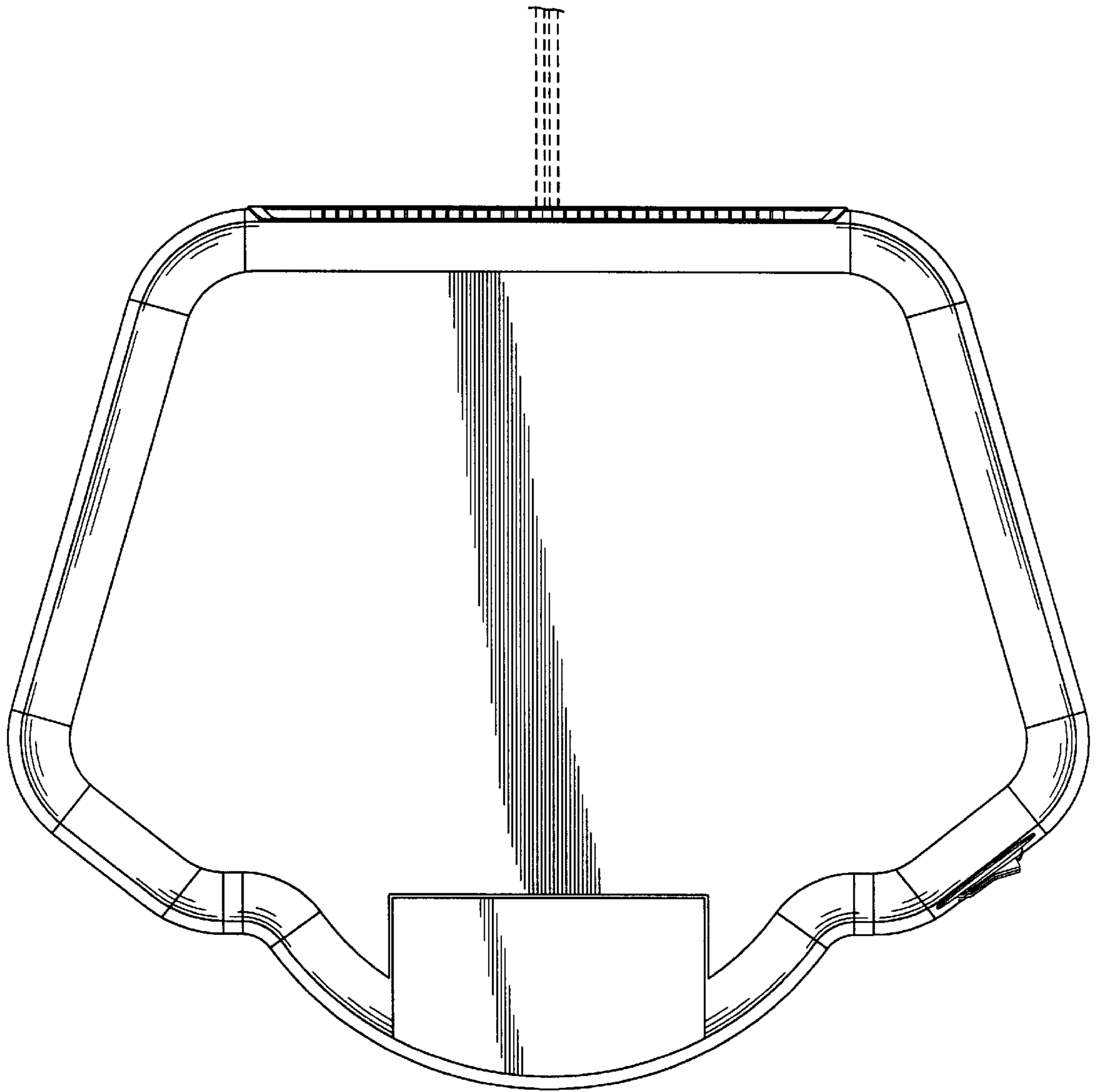


Fig. 5

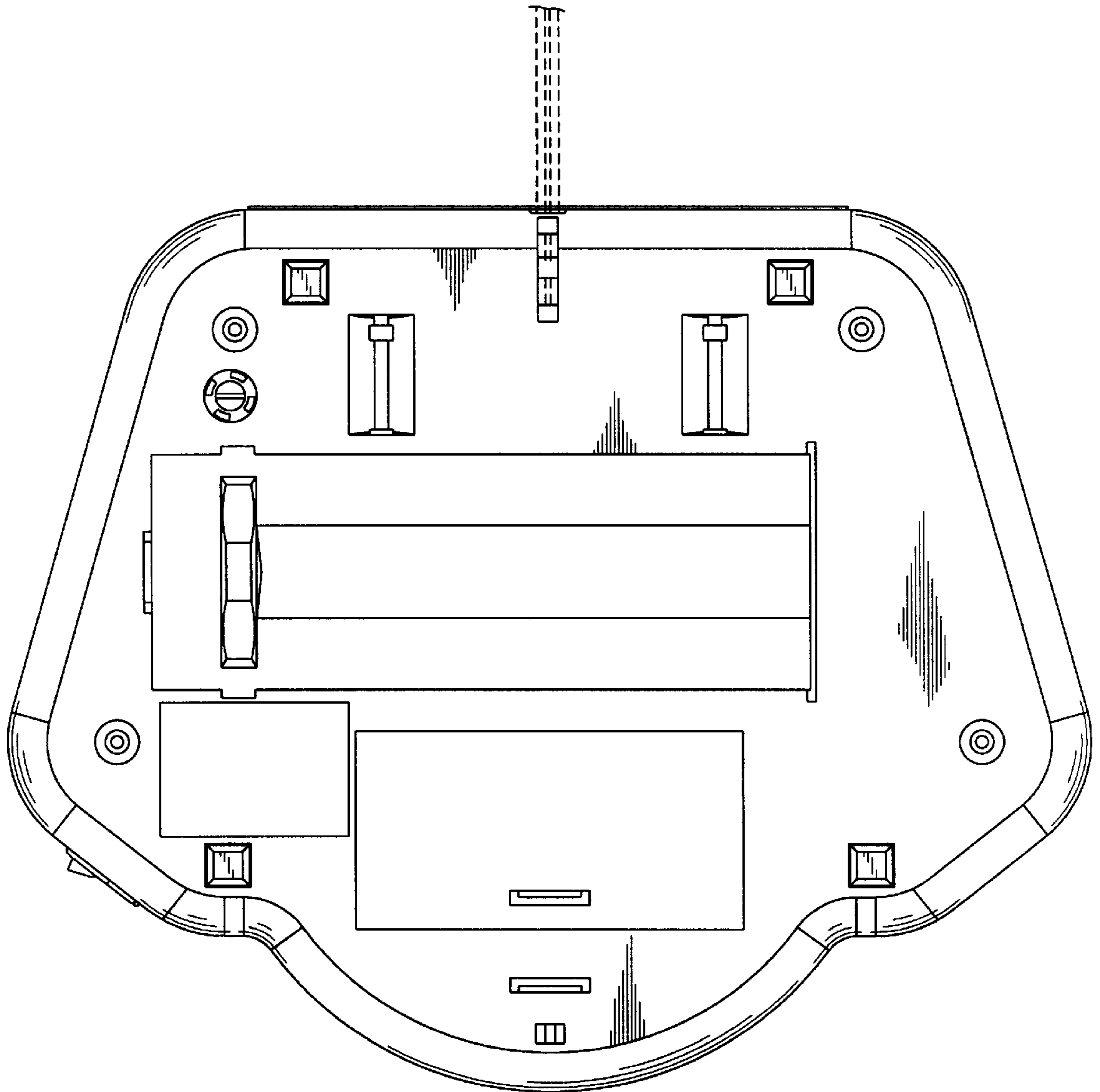


Fig. 6

Fig. 7

