



US00D450109B1

(12) **United States Design Patent**  
**Tavivian**

(10) **Patent No.:** **US D450,109 S**

(45) **Date of Patent:** **\*\* Nov. 6, 2001**

(54) **SHOWER WALL**

(75) Inventor: **Aharon Tavivian, Omer (IL)**

(73) Assignee: **MTD Industries Ltd., Omer (IL)**

(\*\*) Term: **14 Years**

(21) Appl. No.: **29/121,970**

(22) Filed: **Apr. 19, 2000**

(51) **LOC (7) Cl.** ..... **23-02**

(52) **U.S. Cl.** ..... **D23/306**

(58) **Field of Search** ..... D23/275, 283,  
D23/304-306; 4/552, 596-600, 604, 607,  
612-615; 607/81-82

(56) **References Cited**

**U.S. PATENT DOCUMENTS**

D. 321,929	*	11/1991	Dannenberg et al.	.....	D23/305
D. 323,208	*	1/1992	Gunther	.....	D23/283
D. 374,916	*	10/1996	Casden	.....	D23/283
D. 374,917	*	10/1996	Casden	.....	D23/283
D. 380,528	*	7/1997	D'Andrea	.....	D23/283
4,724,553	*	2/1988	Bianchi	.....	4/615
4,807,312	*	2/1989	Baus	.....	4/614 X

4,903,433	*	2/1990	Baus	.....	4/607 X
5,480,199	*	1/1996	Husting	.....	4/607 X
6,023,889	*	2/2000	Husting et al.	.....	4/607 X

\* cited by examiner

*Primary Examiner*—Louis S. Zarfes

*Assistant Examiner*—Robert A. Delehanty

(74) *Attorney, Agent, or Firm*—Nixon & Vanderhye P.C.

(57) **CLAIM**

The ornamental design for a “shower wall”, as shown and described.

**DESCRIPTION**

FIG. 1 is a top and front perspective view of a shower wall according to my design;

FIG. 2 is a top plan view thereof;

FIG. 3 is a front elevational view thereof;

FIG. 4 is a left side elevational view thereof;

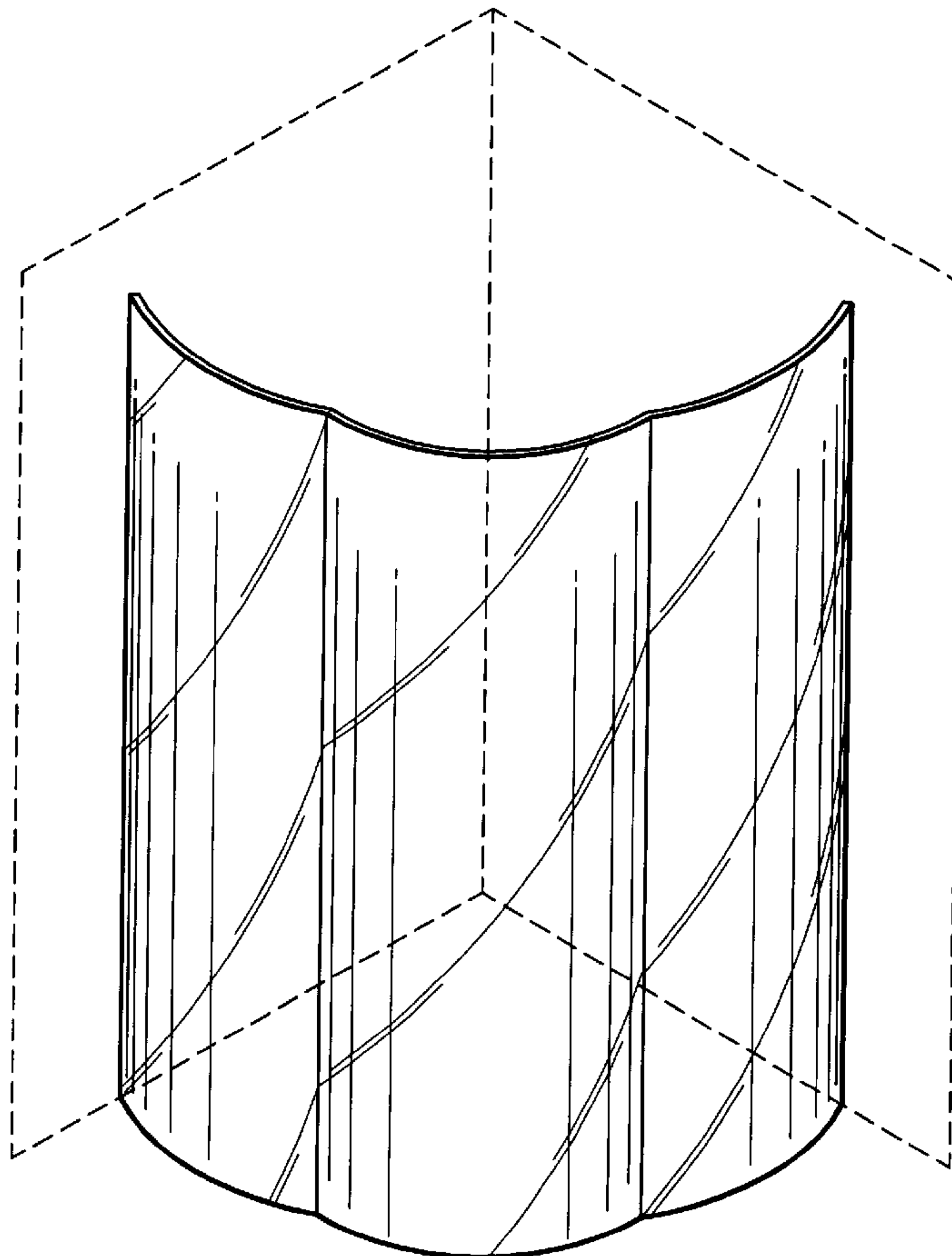
FIG. 5 is a right side elevational view thereof;

FIG. 6 is a bottom plan view thereof; and,

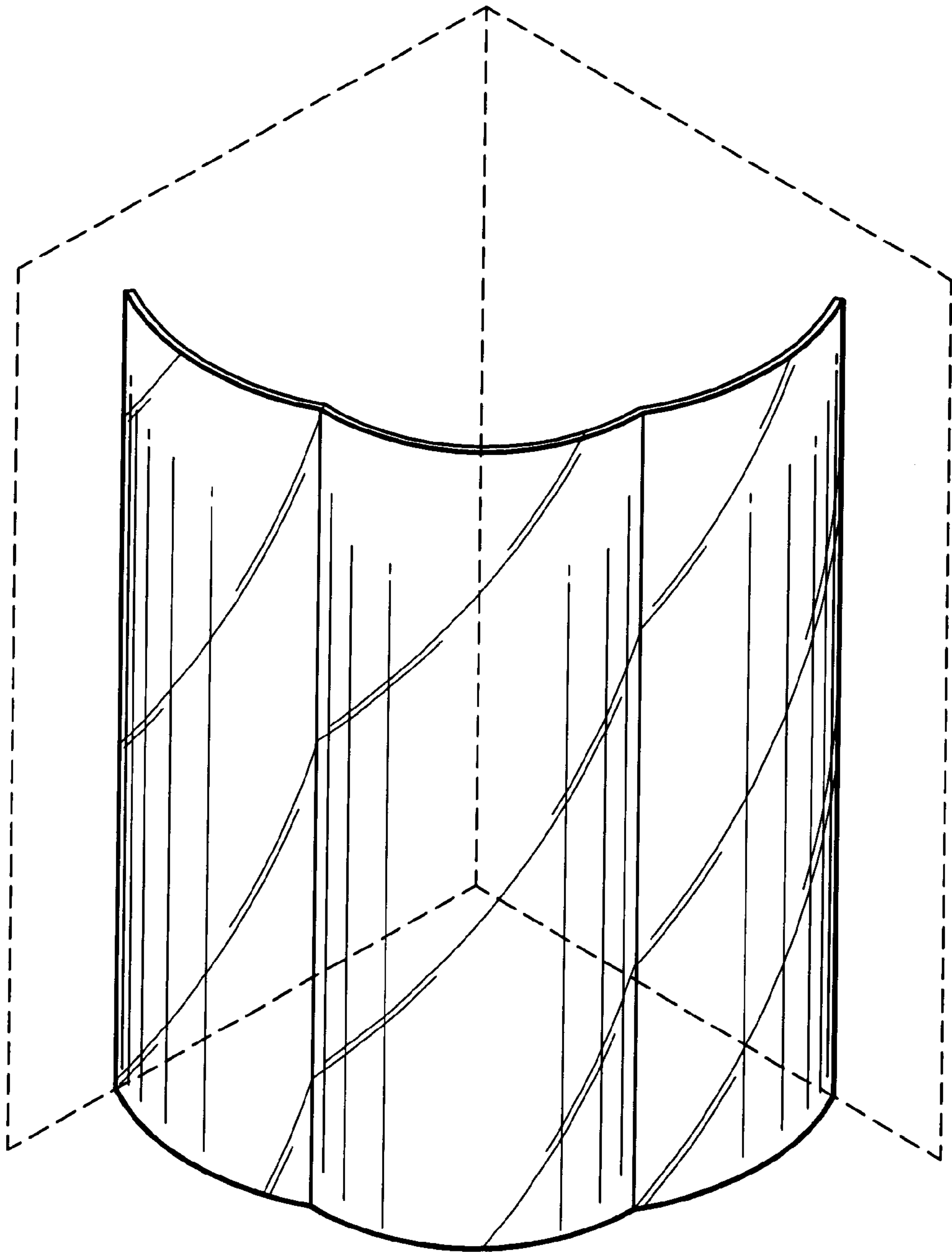
FIG. 7 is a rear elevational view thereof.

The broken line showing of a corner wall is for illustrative purposes only and forms no part of the claimed design.

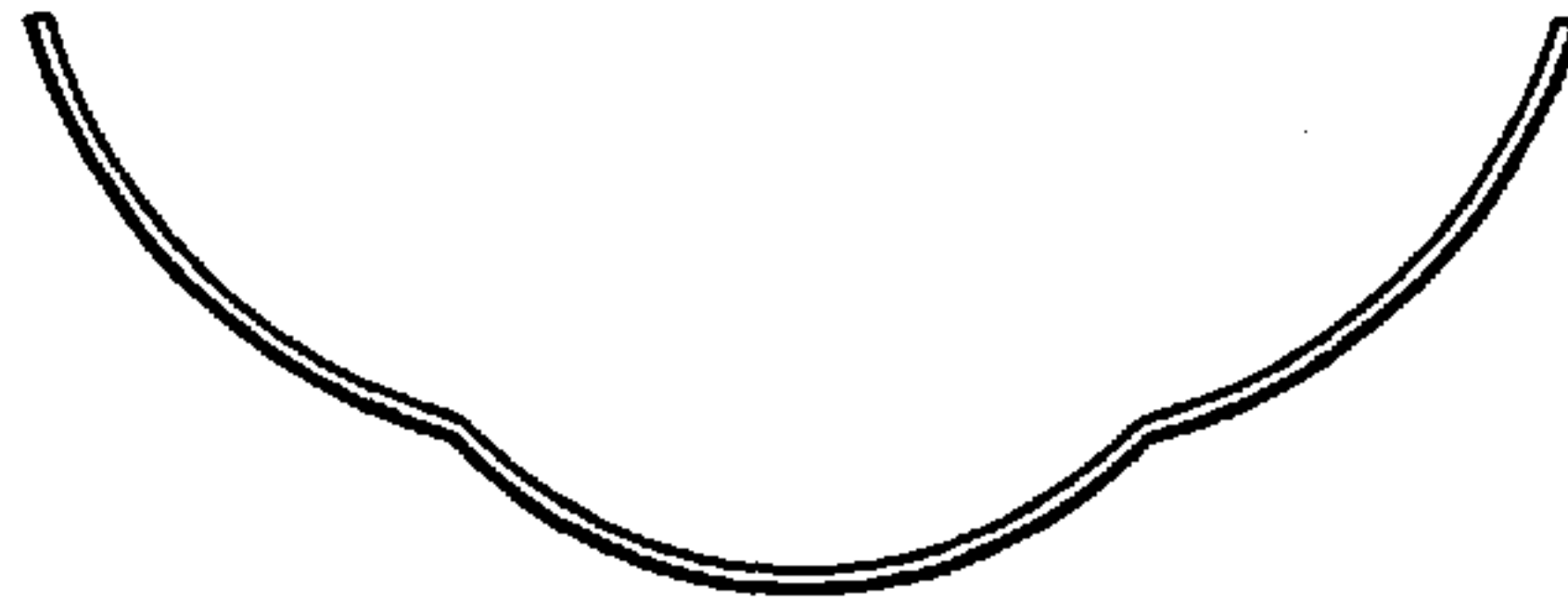
**1 Claim, 3 Drawing Sheets**



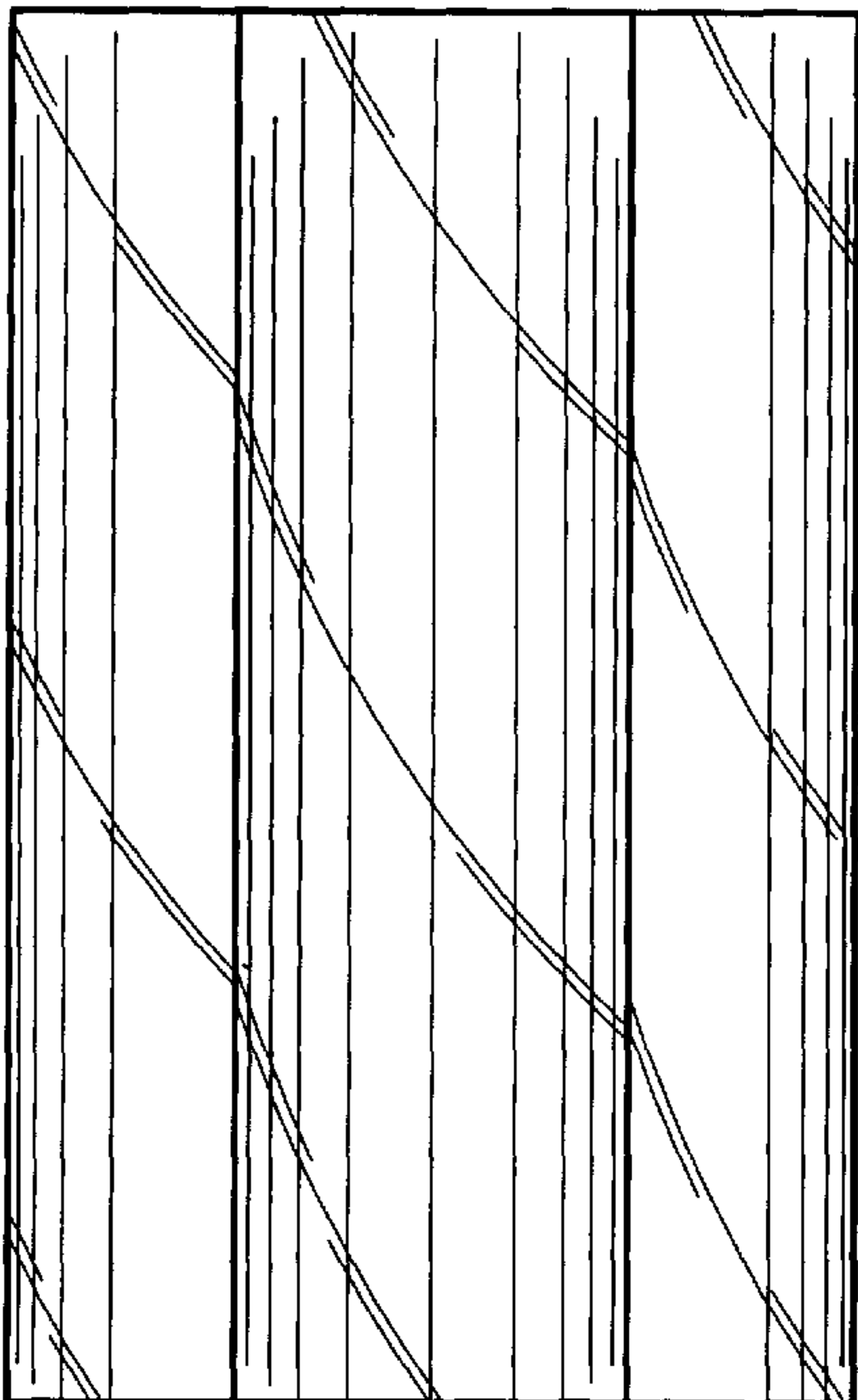
**Fig. 1**



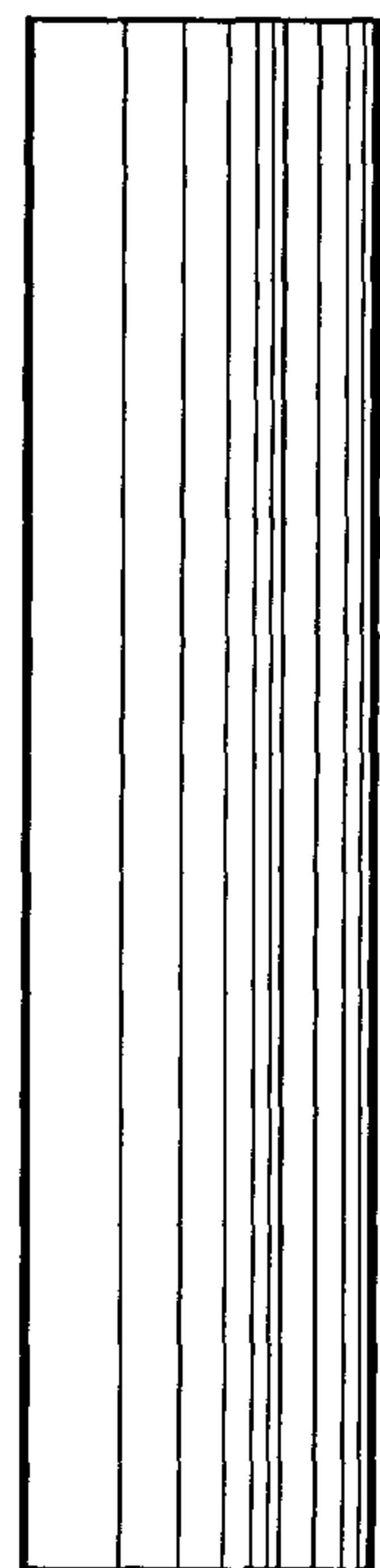
**Fig. 2**



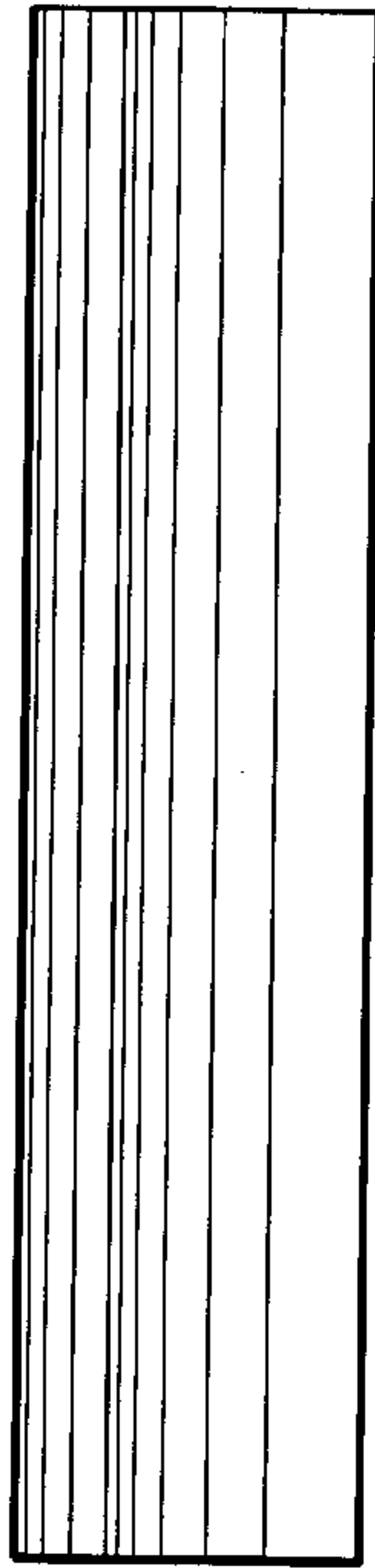
**Fig. 3**



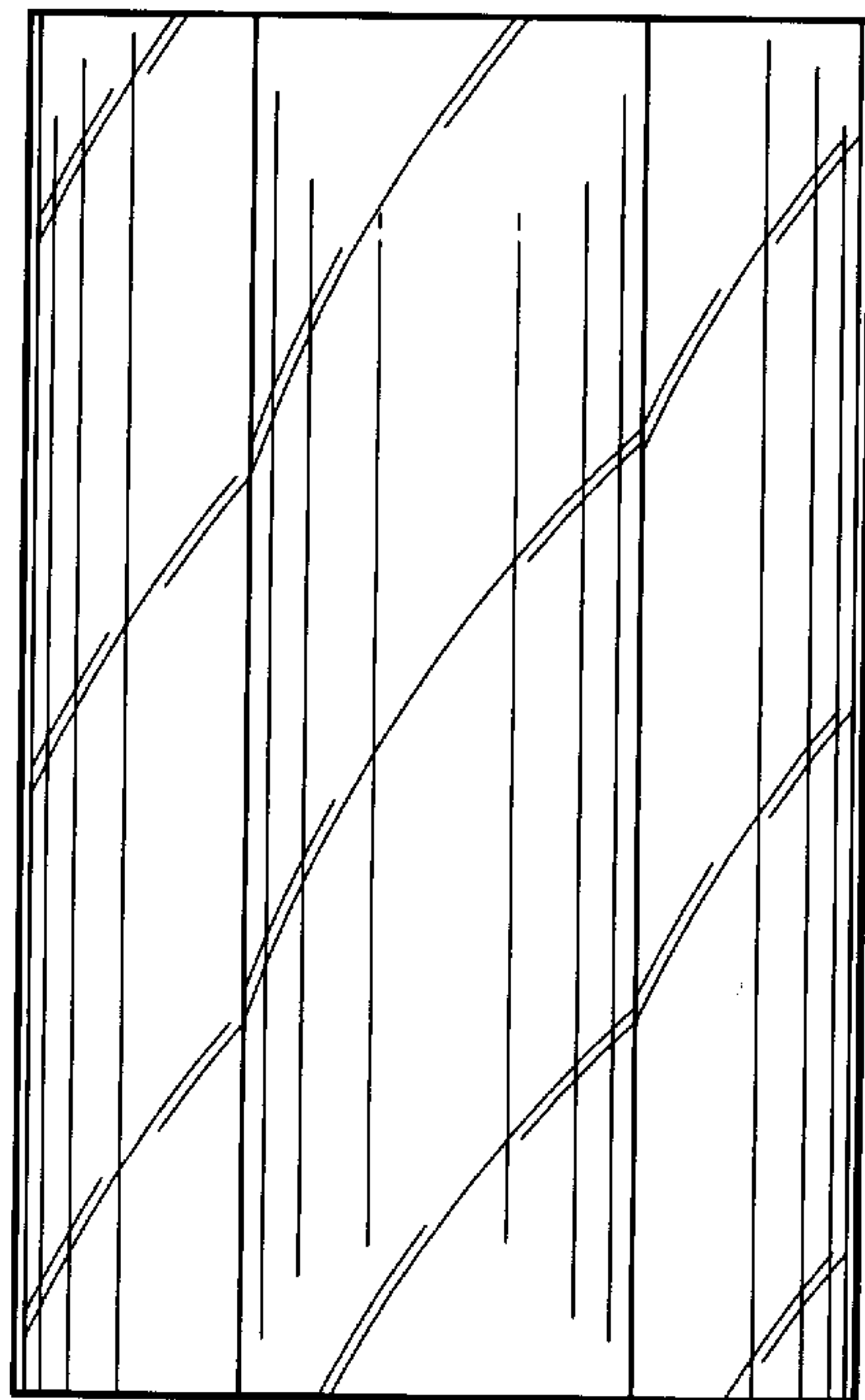
**Fig. 4**



**Fig. 5**



**Fig. 7**



**Fig. 6**

