



US00D450108B1

(12) **United States Design Patent**
Tavivian

(10) **Patent No.:** **US D450,108 S**

(45) **Date of Patent:** **** Nov. 6, 2001**

(54) **SHOWER WALL**

4,724,553 * 2/1988 Bianchi 4/615

(75) Inventor: **Aharon Tavivian**, Omer (IL)

* cited by examiner

(73) Assignee: **MTD Industries Ltd.**, Omer (IL)

Primary Examiner—Louis S. Zarfaz

Assistant Examiner—Robert A. Delehanty

(**) Term: **14 Years**

(74) *Attorney, Agent, or Firm*—Nixon & Vanderhye P.C.

(21) Appl. No.: **29/121,968**

(57) **CLAIM**

(22) Filed: **Apr. 19, 2000**

The ornamental design for a “shower wall”, as shown and described.

(51) **LOC (7) Cl.** **23-02**

DESCRIPTION

(52) **U.S. Cl.** **D23/306**

(58) **Field of Search** D23/275, 283,
D23/304–306; 4/552, 596–600, 604, 607,
612–615; 607/81–82

FIG. 1 is a top and front perspective view of a shower wall according to my design;

FIG. 2 is a top plan view thereof;

FIG. 3 is a front elevational view thereof;

FIG. 4 is a left side elevational view thereof;

FIG. 5 is a right side elevational view thereof;

FIG. 6 is a bottom plan view thereof; and,

FIG. 7 is a rear elevational view thereof.

The broken line showing of a corner wall is for illustrative purposes only and forms no part of the claimed design.

(56) **References Cited**

U.S. PATENT DOCUMENTS

- D. 319,093 * 8/1991 Dannenberg et al. D23/275
- D. 321,929 * 11/1991 Dannenberg et al. D23/305
- D. 372,520 * 8/1996 Jacuzzi et al. D23/275
- D. 374,916 * 10/1996 Casden D23/283
- D. 374,917 * 10/1996 Casden D23/283

1 Claim, 3 Drawing Sheets

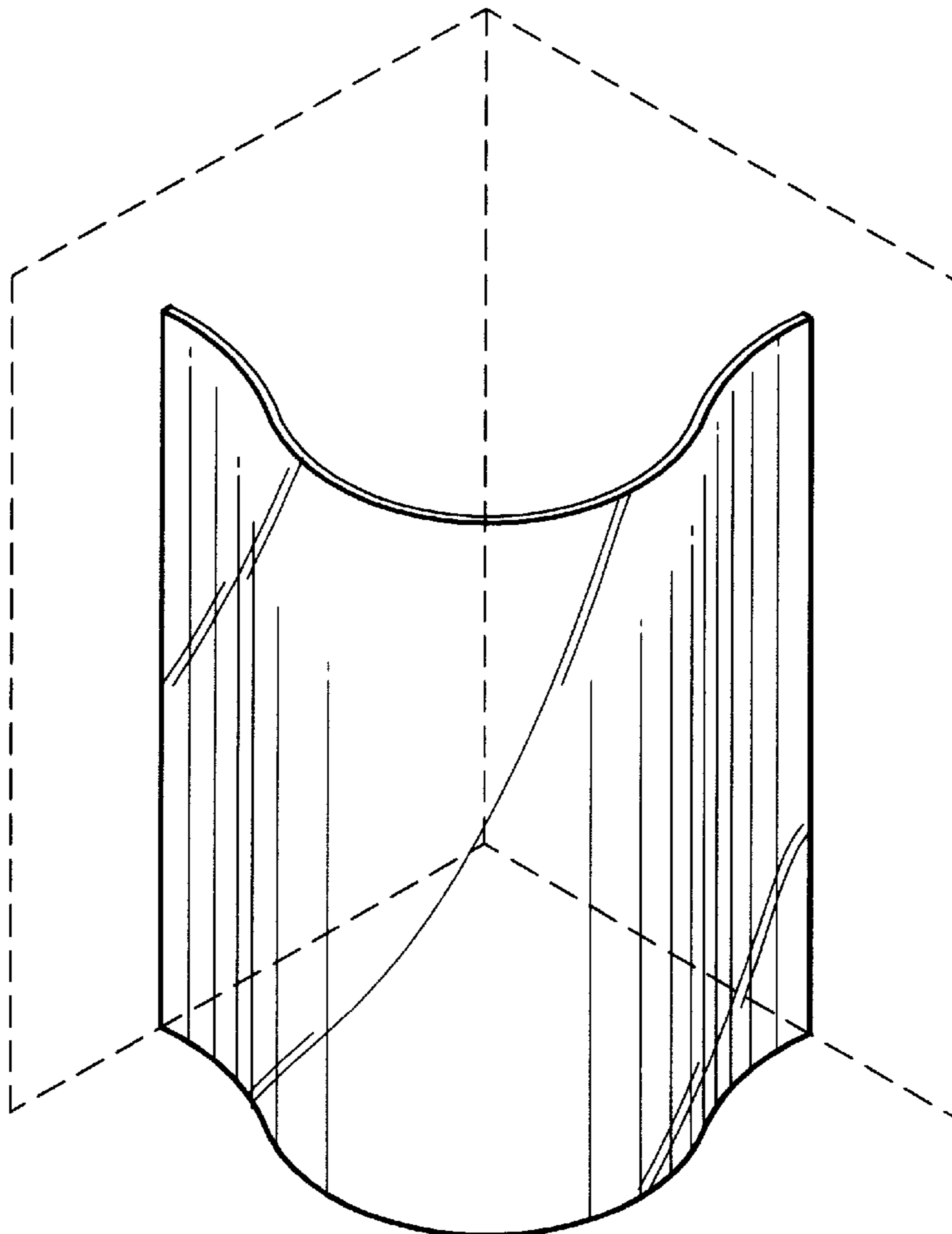


Fig. 1

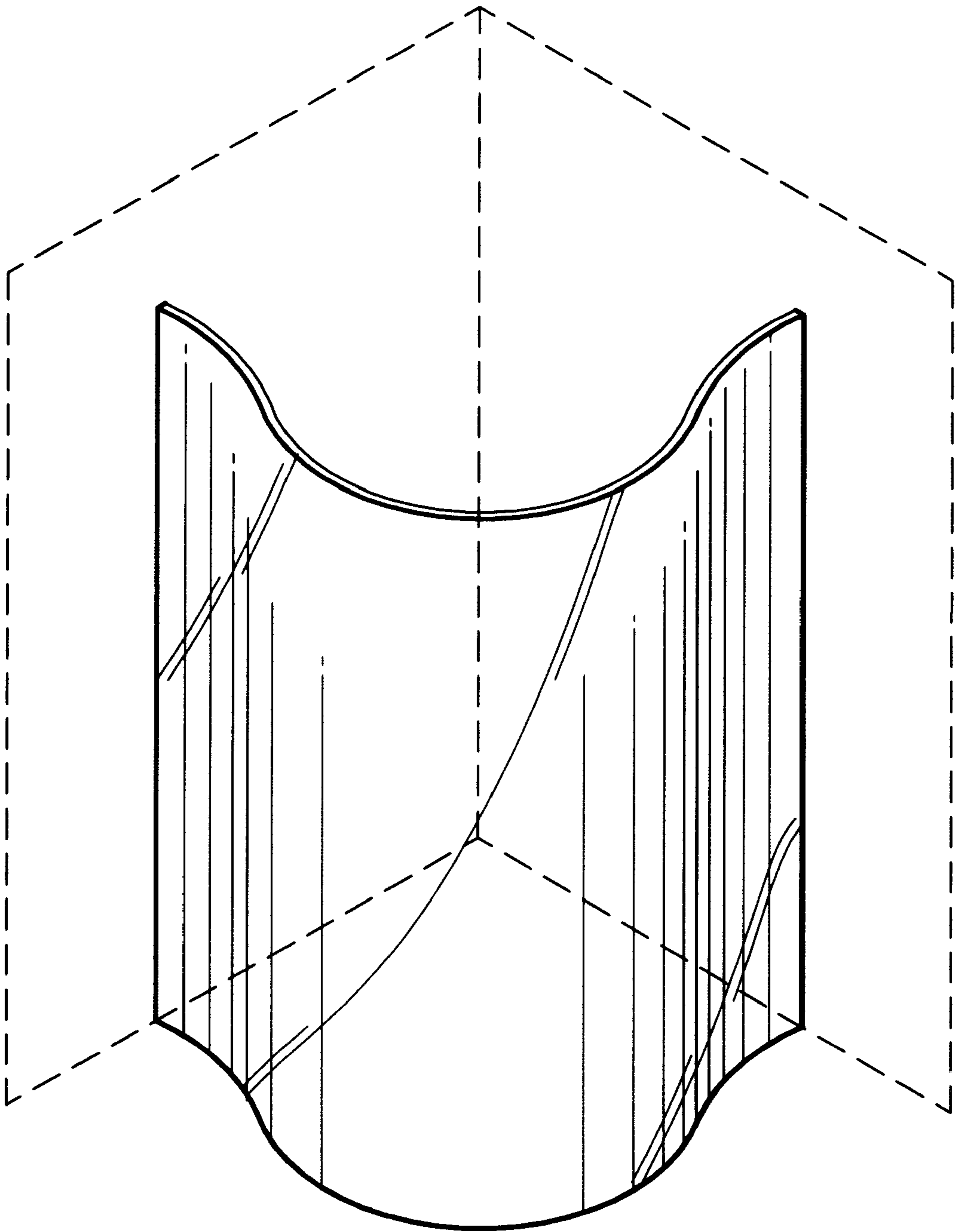


Fig. 2

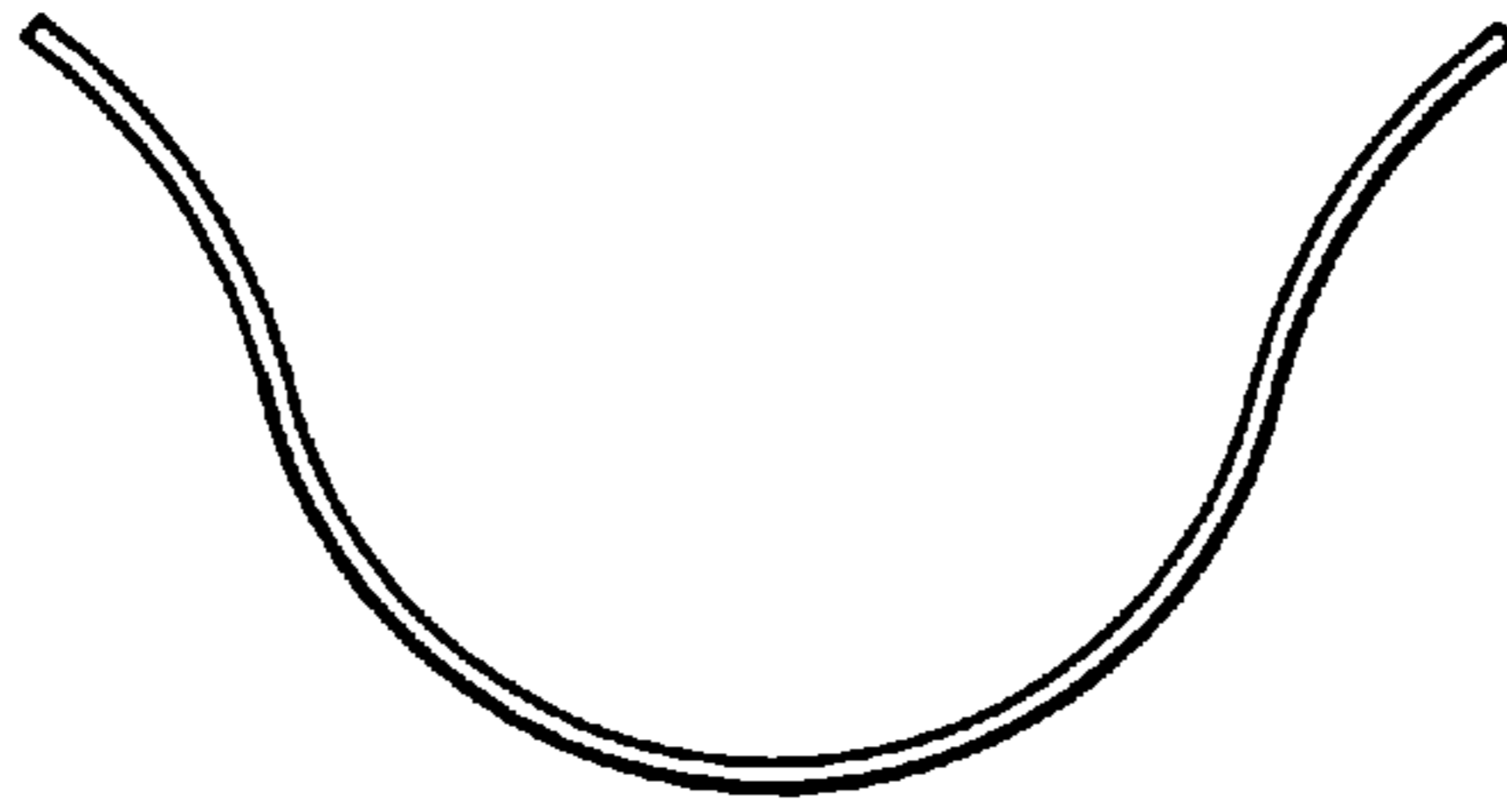


Fig. 4

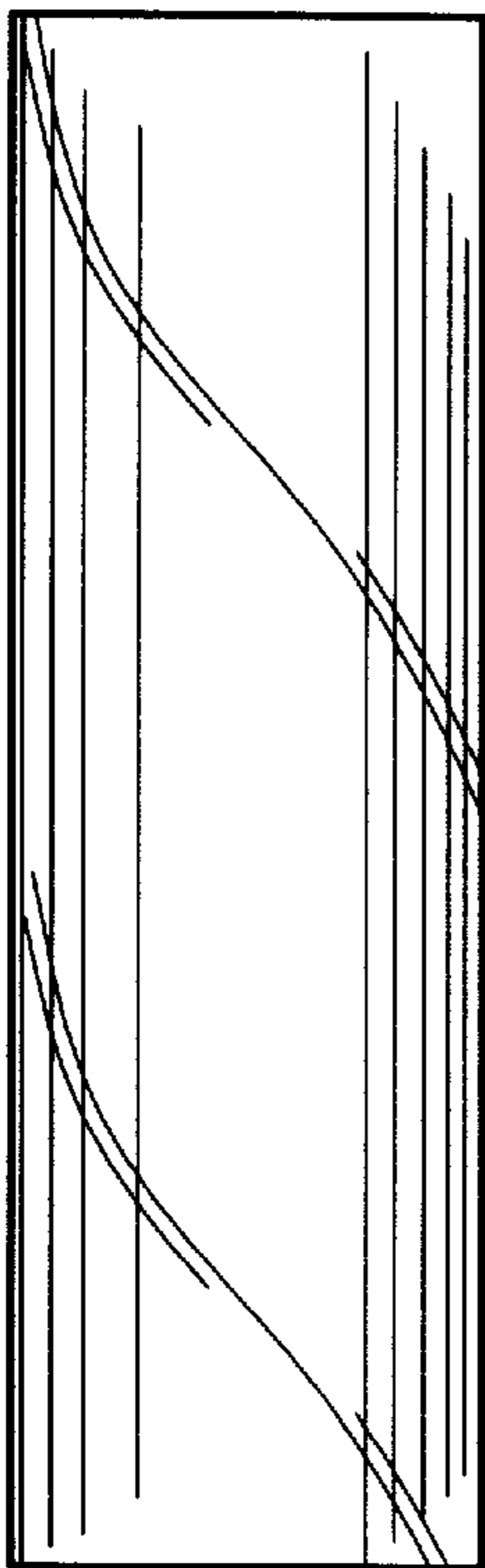


Fig. 3

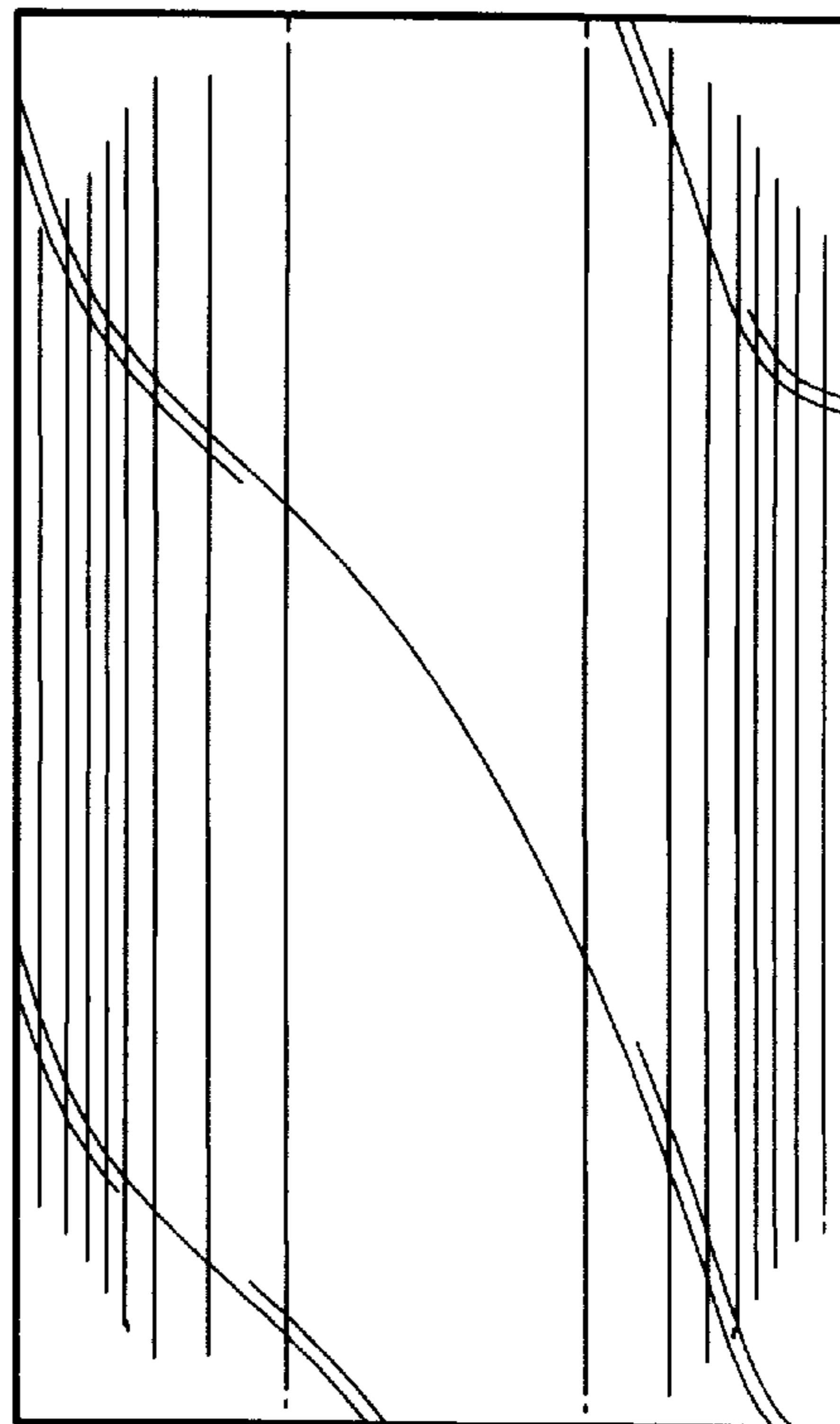


Fig. 5

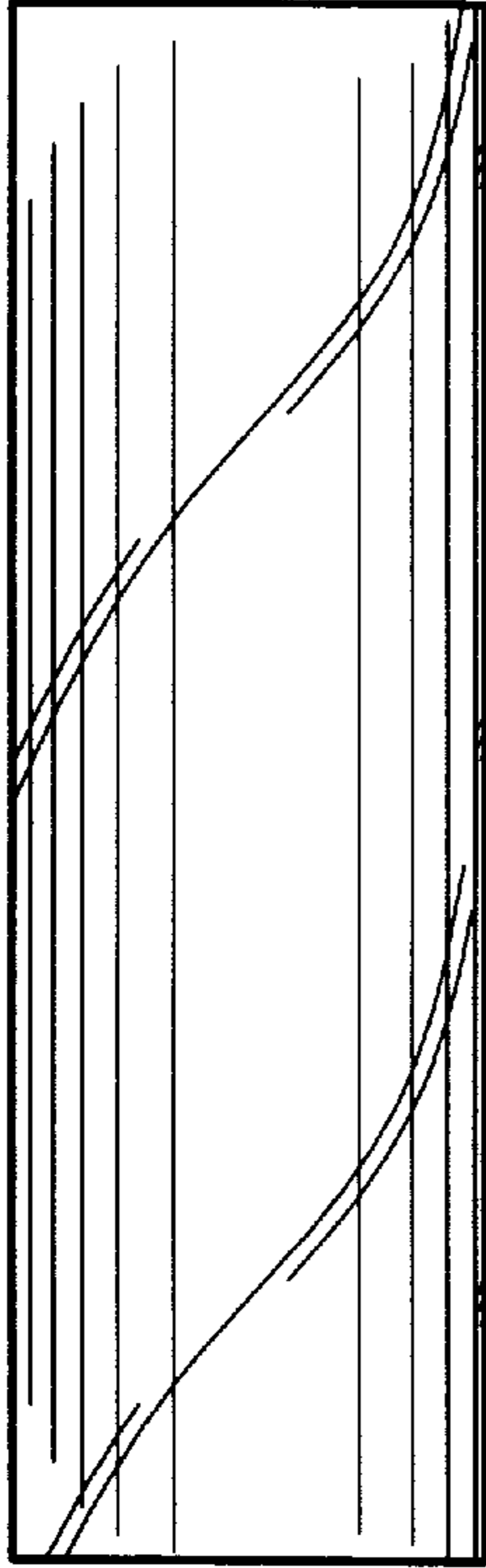


Fig. 6

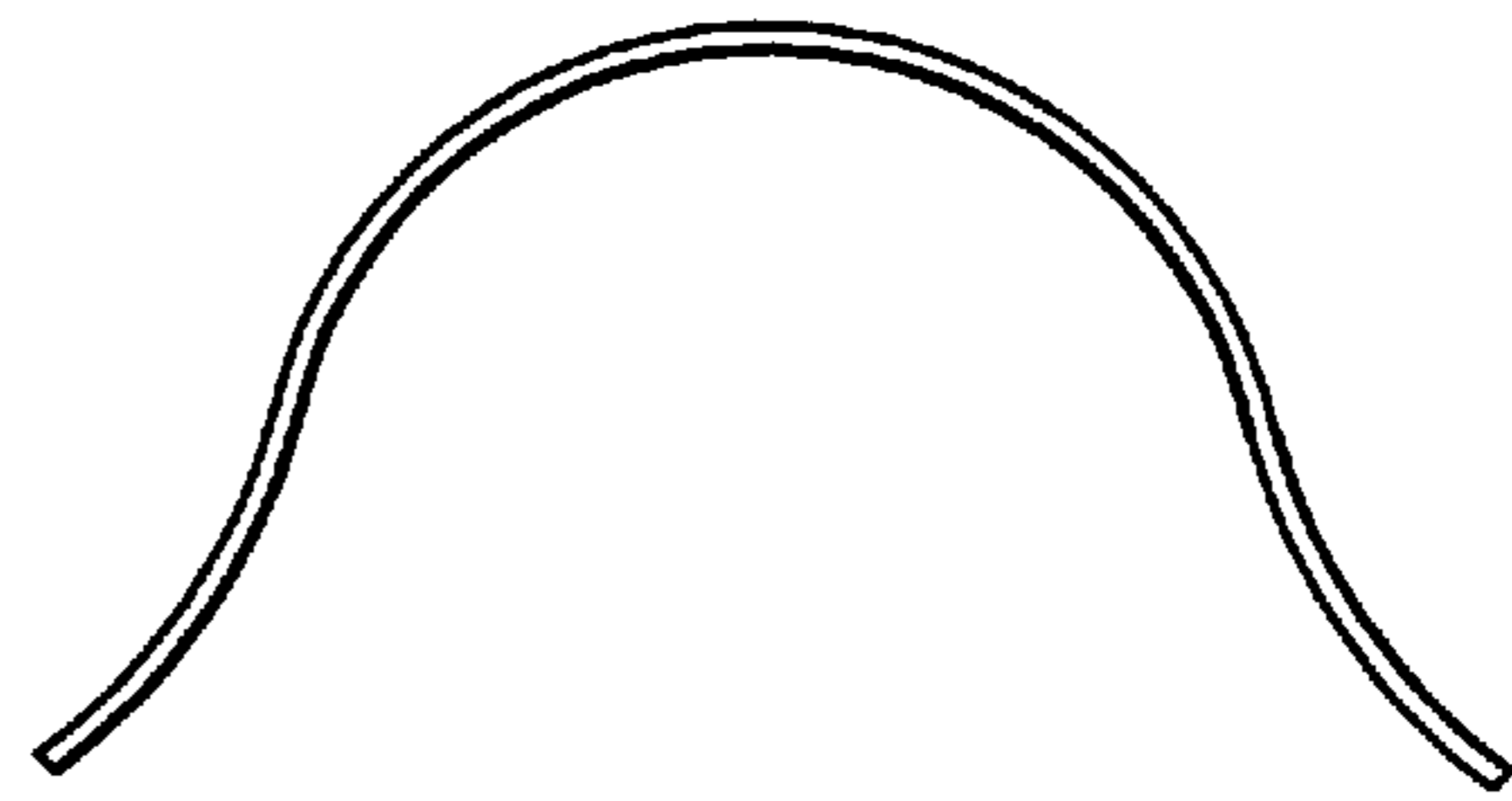


Fig. 7

