



US00D450103B1

(12) **United States Design Patent**
Chevillotte

(10) **Patent No.:** **US D450,103 S**

(45) **Date of Patent:** **** Nov. 6, 2001**

(54) **BILLIARD MASTER**

(76) Inventor: **Claude Chevillotte**, Z.A. des Montées,
23 rue Jean Moulin, 45000 Orleans
(FR)

(**) Term: **14 Years**

(21) Appl. No.: **29/135,114**

(22) Filed: **Jan. 5, 2001**

(51) **LOC (7) Cl.** **06-03**

(52) **U.S. Cl.** **D21/784**

(58) **Field of Search** D21/782, 783,
D21/784; 473/1, 4, 6, 7, 28, 29

(56) **References Cited**

U.S. PATENT DOCUMENTS

- D. 107,671 * 12/1937 Allen D21/784
- D. 205,670 * 9/1966 Reinman D21/784
- D. 348,916 * 7/1994 Powers D21/784
- D. 408,487 * 4/1999 McCormick et al. D21/784

- 3,881,727 * 5/1975 Olson 473/4
- 5,791,758 * 8/1998 Horgan et al. 473/4
- 6,102,808 * 8/2000 Wong 473/4

* cited by examiner

Primary Examiner—Prabhakar Deshmukh
(74) *Attorney, Agent, or Firm*—J. Sanchelima

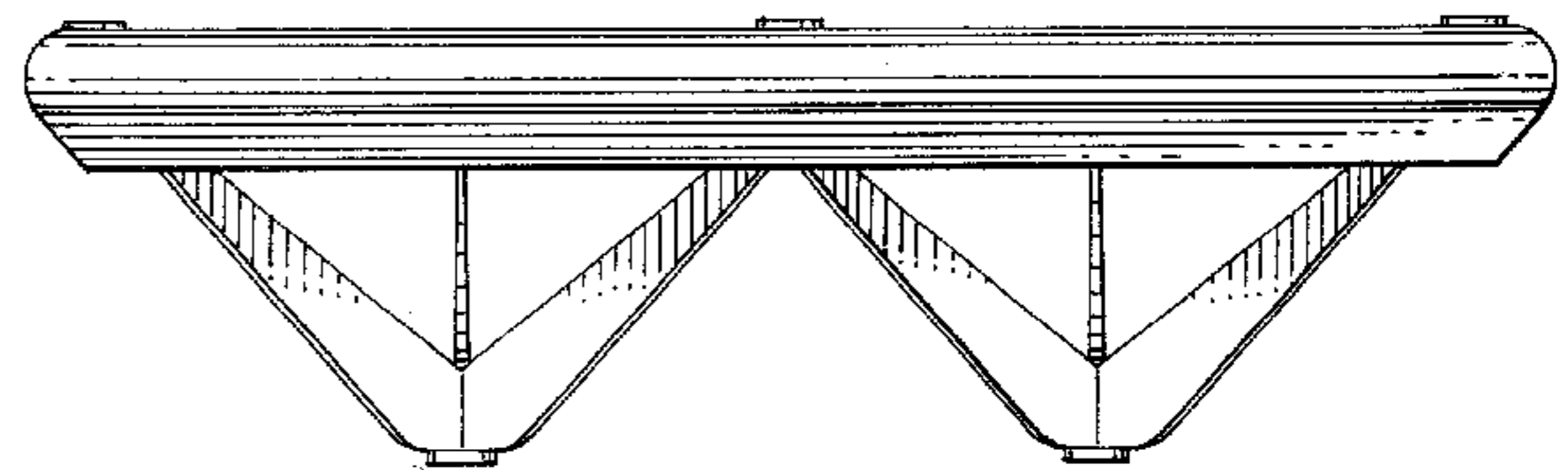
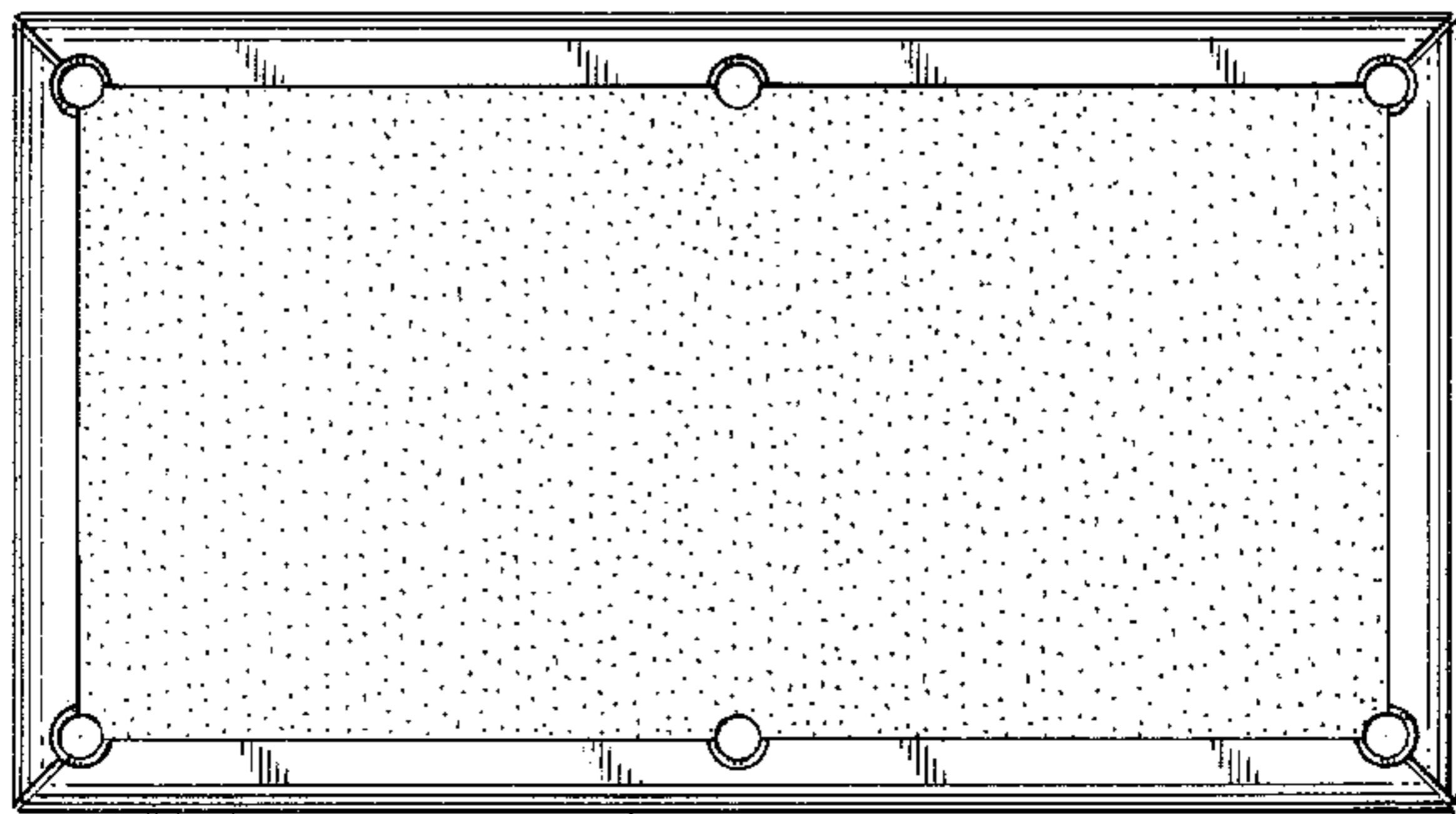
(57) **CLAIM**

The ornamental design for billiard master, as shown and described.

DESCRIPTION

FIG. 1 is a top view of a billiard master showing my new design;
FIG. 2 is a front elevation view thereof;
FIG. 3 is a bottom view thereof;
FIG. 4 is a rear elevation view thereof;
FIG. 5 is a right side elevation view thereof; and,
FIG. 6 is a left side elevation view thereof.

1 Claim, 2 Drawing Sheets



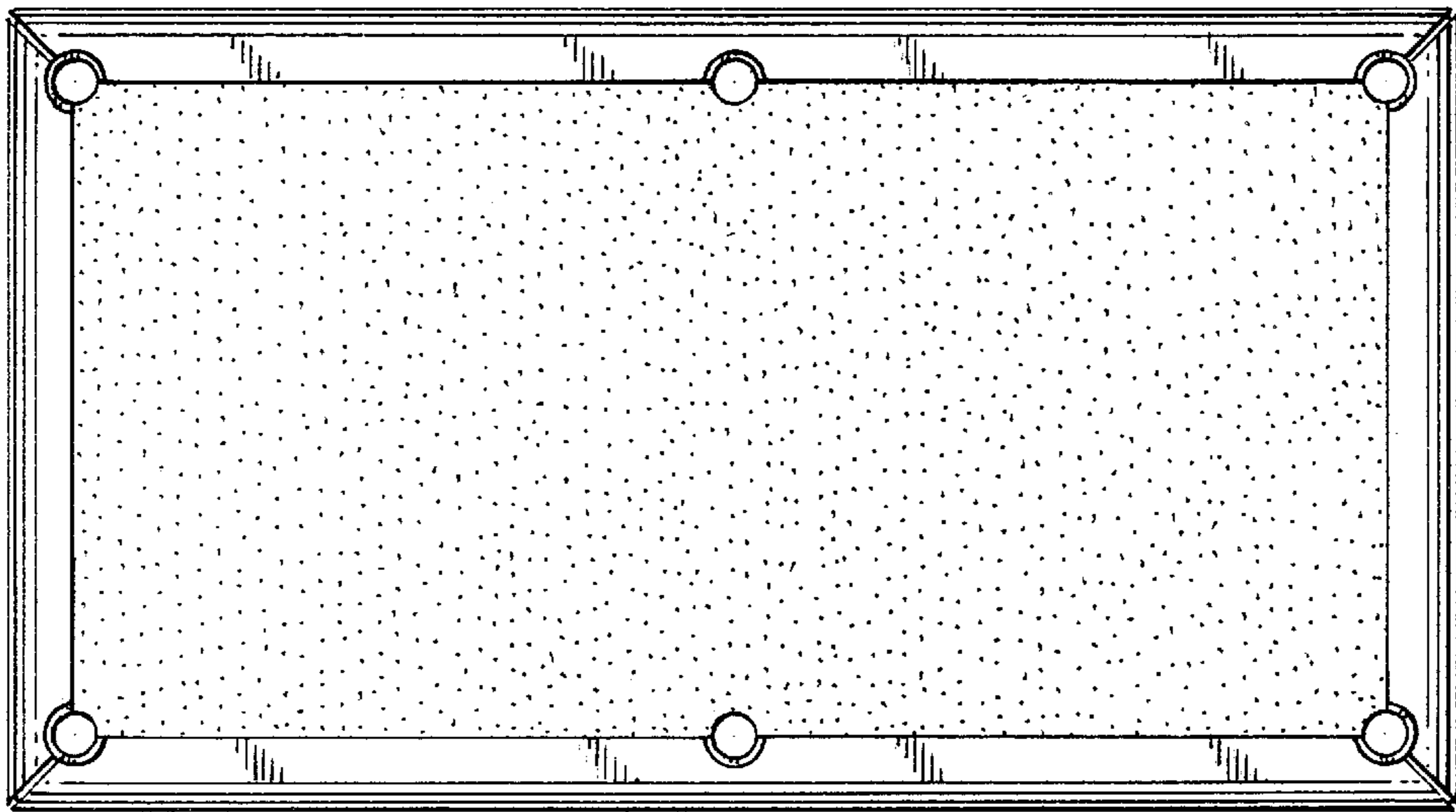


FIG. 1.

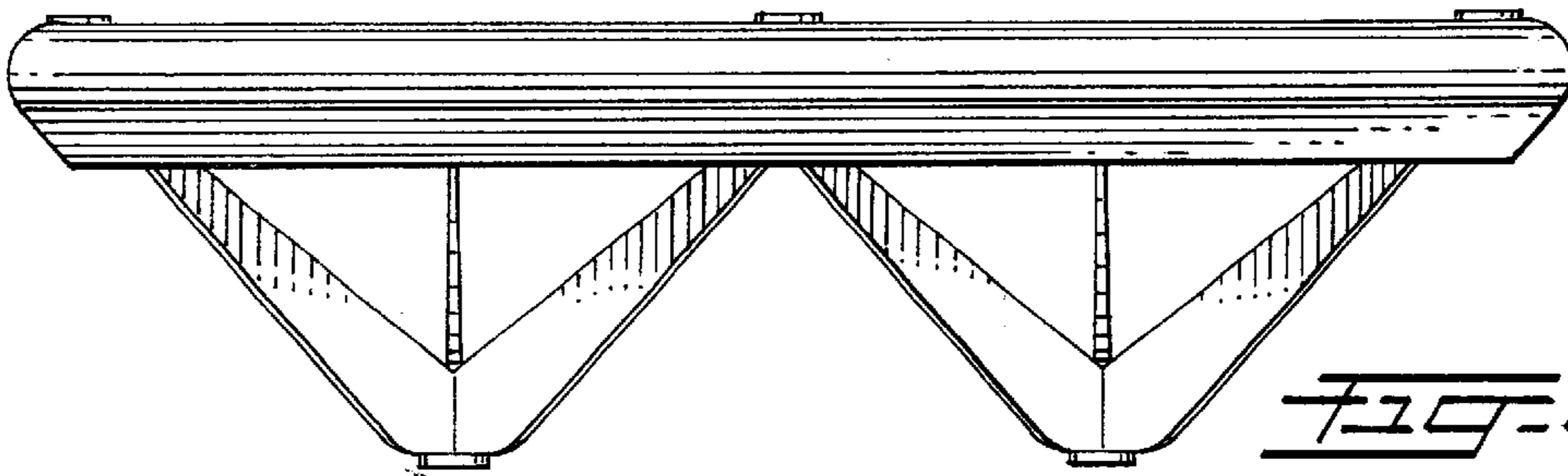


FIG. 2.

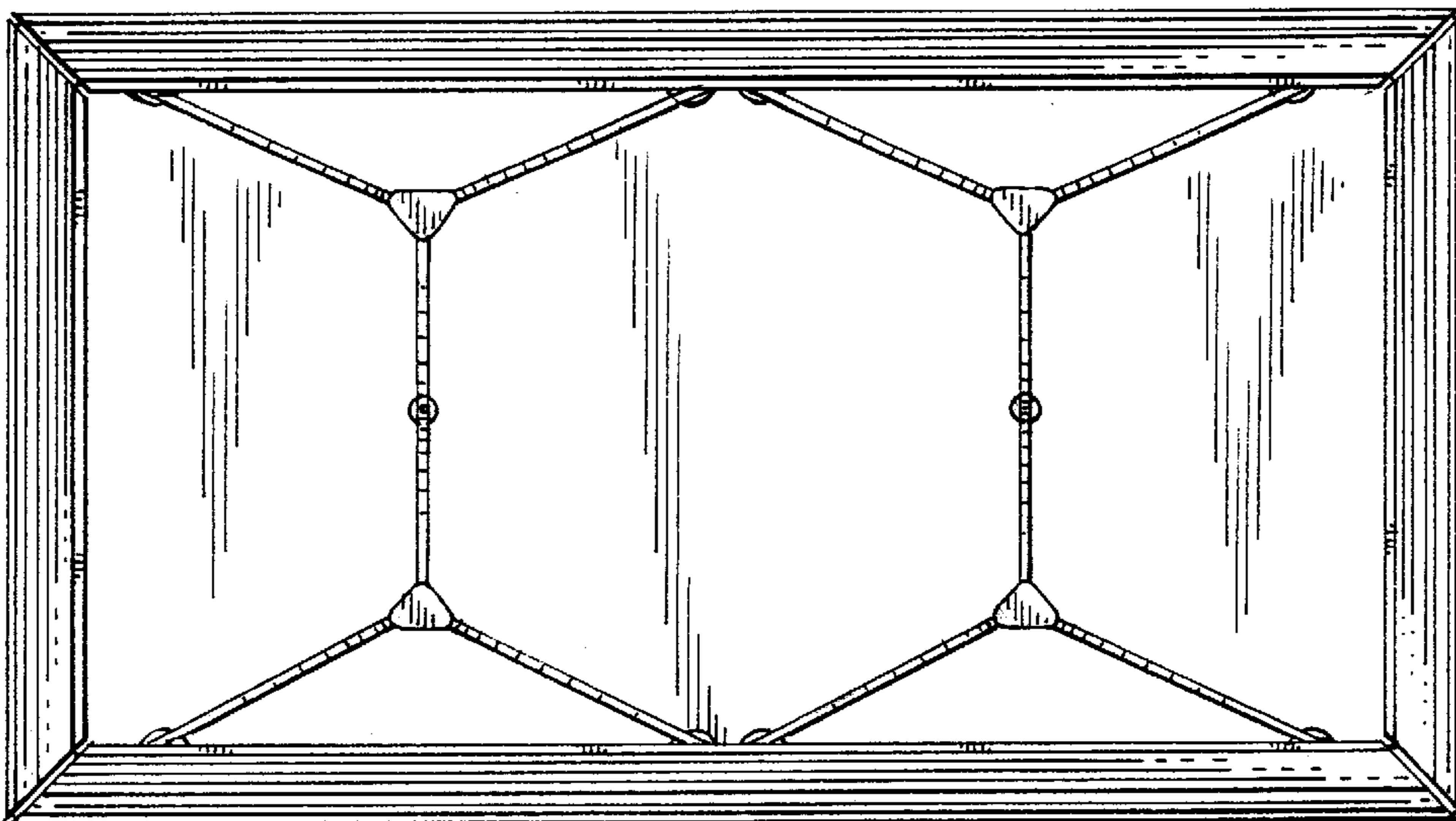


FIG. 3.

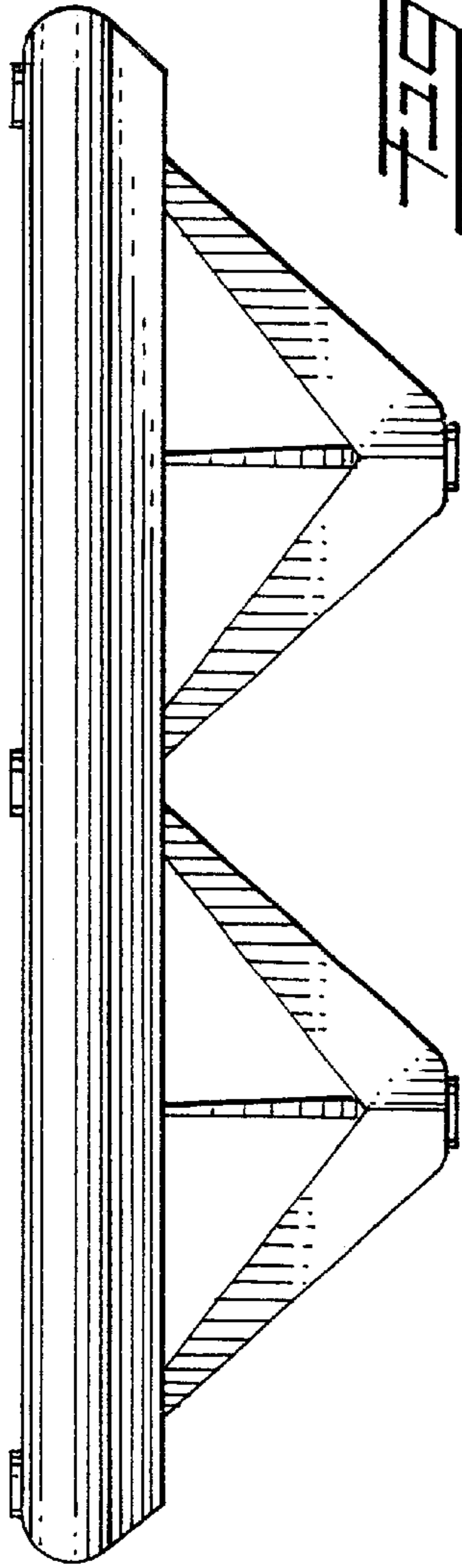


Fig. 4-

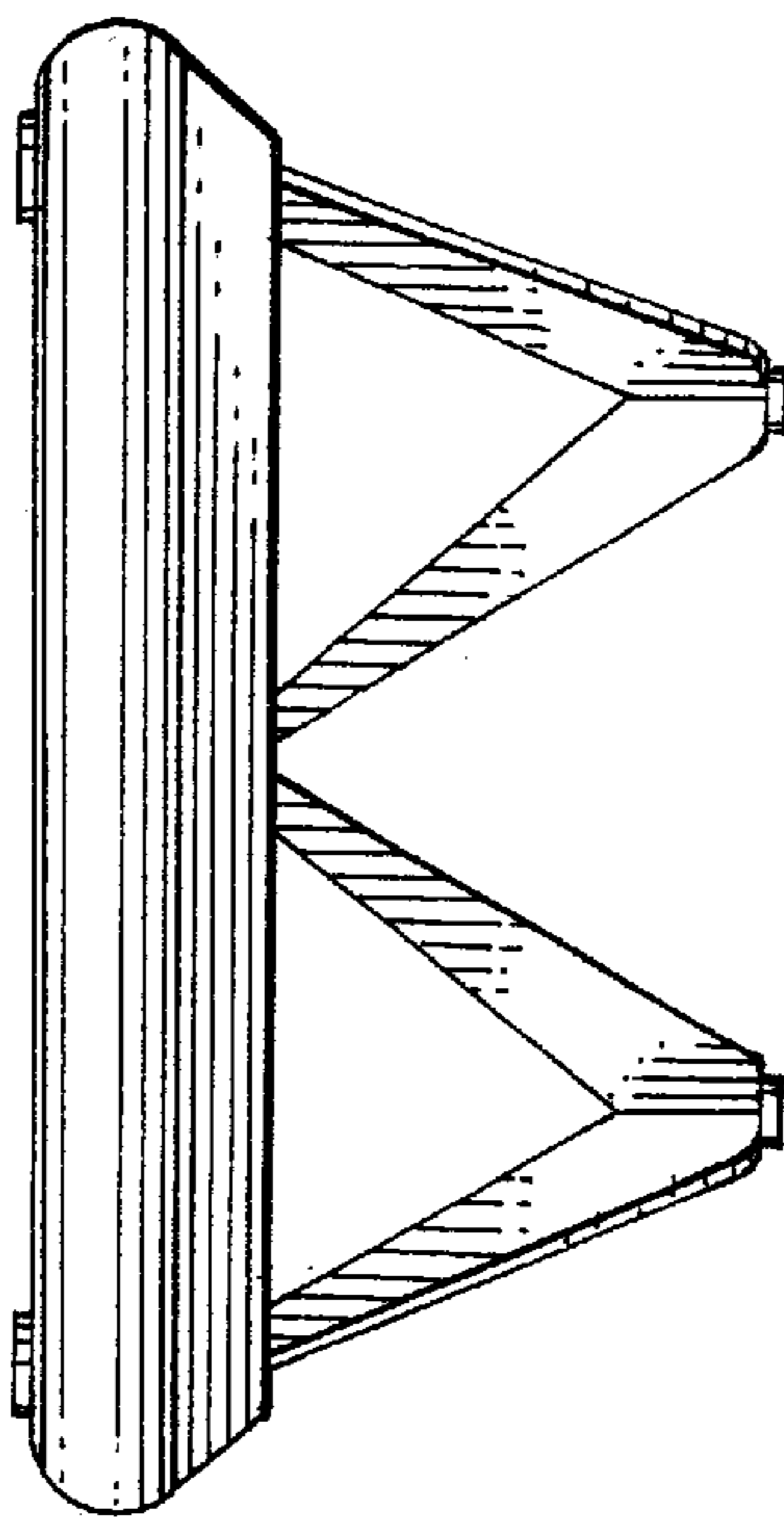


Fig. 5-

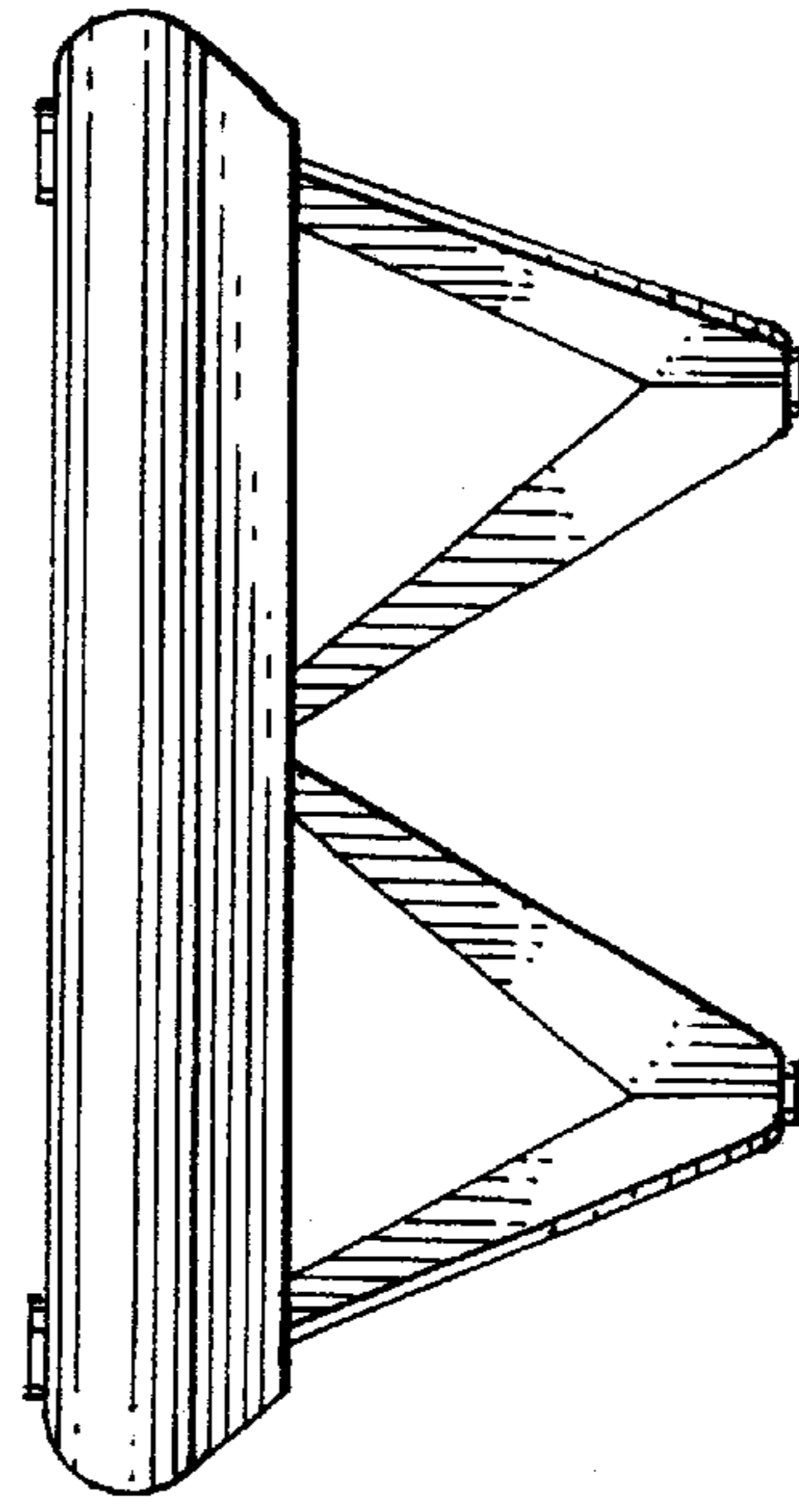


Fig. 6-