



US00D450100B1

(12) **United States Design Patent**
Hsu

(10) **Patent No.:** **US D450,100 S**

(45) **Date of Patent:** **** Nov. 6, 2001**

(54) **HOUSING OF EXERCISE MACHINE**

(76) **Inventor:** **Hank Hsu**, Linkou Ind., Park II, No. 4,
Keng 9 Rd., Linkou Hsian, Taipei Hsien
(TW)

(**) **Term:** **14 Years**

(21) **Appl. No.:** **29/130,574**

(22) **Filed:** **Oct. 5, 2000**

(51) **LOC (7) Cl.** **21-02**

(52) **U.S. Cl.** **D21/697; D21/694**

(58) **Field of Search** D21/662, 697,
D21/663, 665, 666, 668, 670, 694; 482/51,
52, 57, 70

(56) **References Cited**

U.S. PATENT DOCUMENTS

D. 302,035	*	7/1989	Smith	D21/667
D. 353,421	*	12/1994	Gallivan	D21/667
D. 360,002	*	7/1995	Wu	D21/667
D. 372,061	*	7/1996	Chen	D21/697
D. 384,380	*	9/1997	Wang et al.	D21/667
D. 408,477	*	4/1999	Arnold et al.	D21/668

D. 410,978	*	6/1999	Littrell et al.	D21/668
D. 429,781	*	8/2000	Arnold et al.	D21/668
D. 438,581	*	3/2001	Shaw	D21/667
5,776,036	*	7/1998	Chen	482/52
5,823,914	*	10/1998	Chen	482/51
6,022,296	*	2/2000	Yu	482/52

* cited by examiner

Primary Examiner—Philip S. Hyder

(74) *Attorney, Agent, or Firm*—Browdy And Neimark

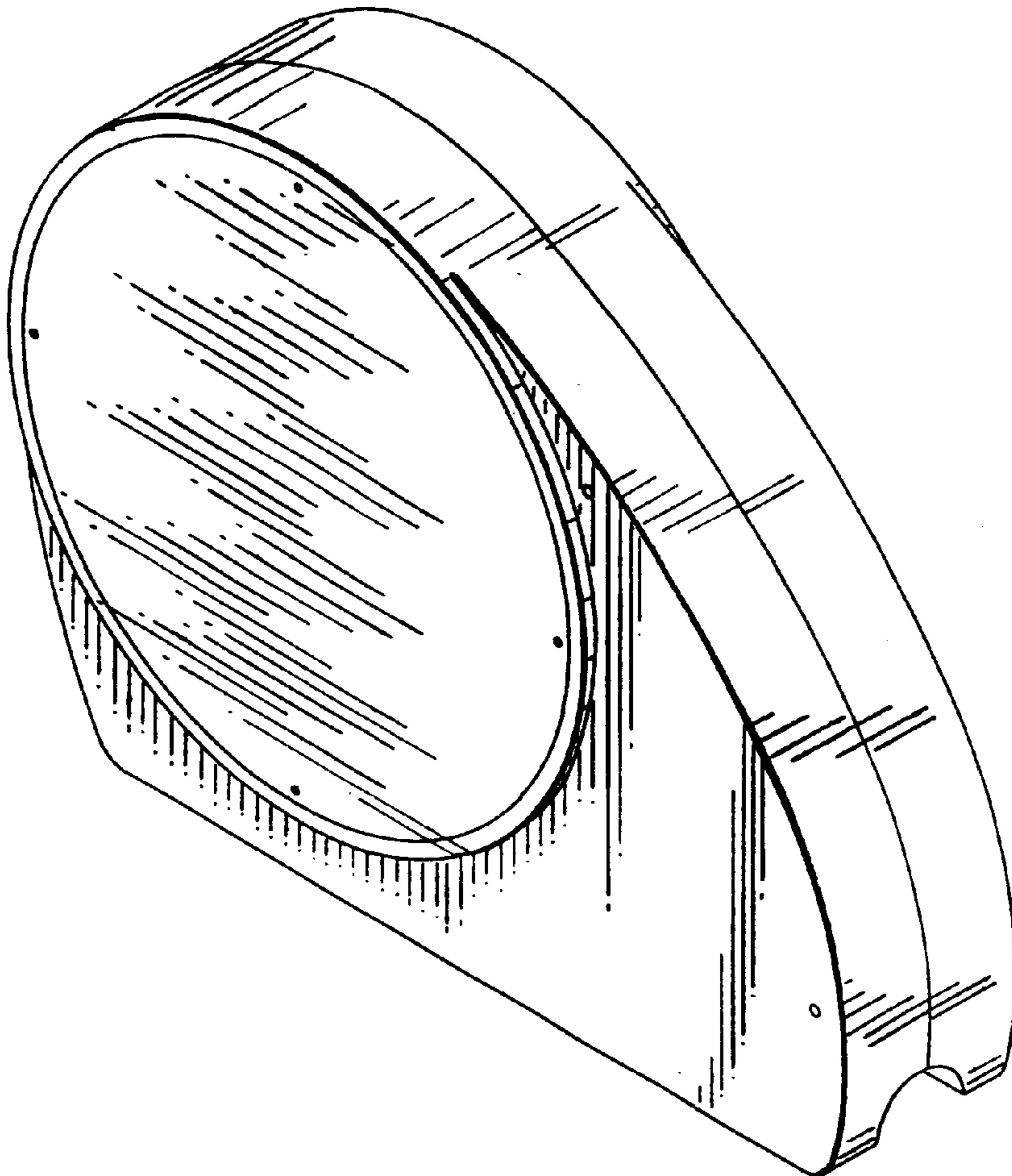
(57) **CLAIM**

The ornamental design for a housing of exercise machine, as shown and described.

DESCRIPTION

FIG. 1 shows a perspective view of the present design.
 FIG. 2 shows a right elevational view of the present design.
 FIG. 3 shows a top plan view of the present design.
 FIG. 4 shows a front elevational view of the present design.
 FIG. 5 shows a bottom plan view of the present design.
 FIG. 6 shows a left elevational view of the present design;
 and,
 FIG. 7 shows a rear elevational view of the present design.

1 Claim, 3 Drawing Sheets



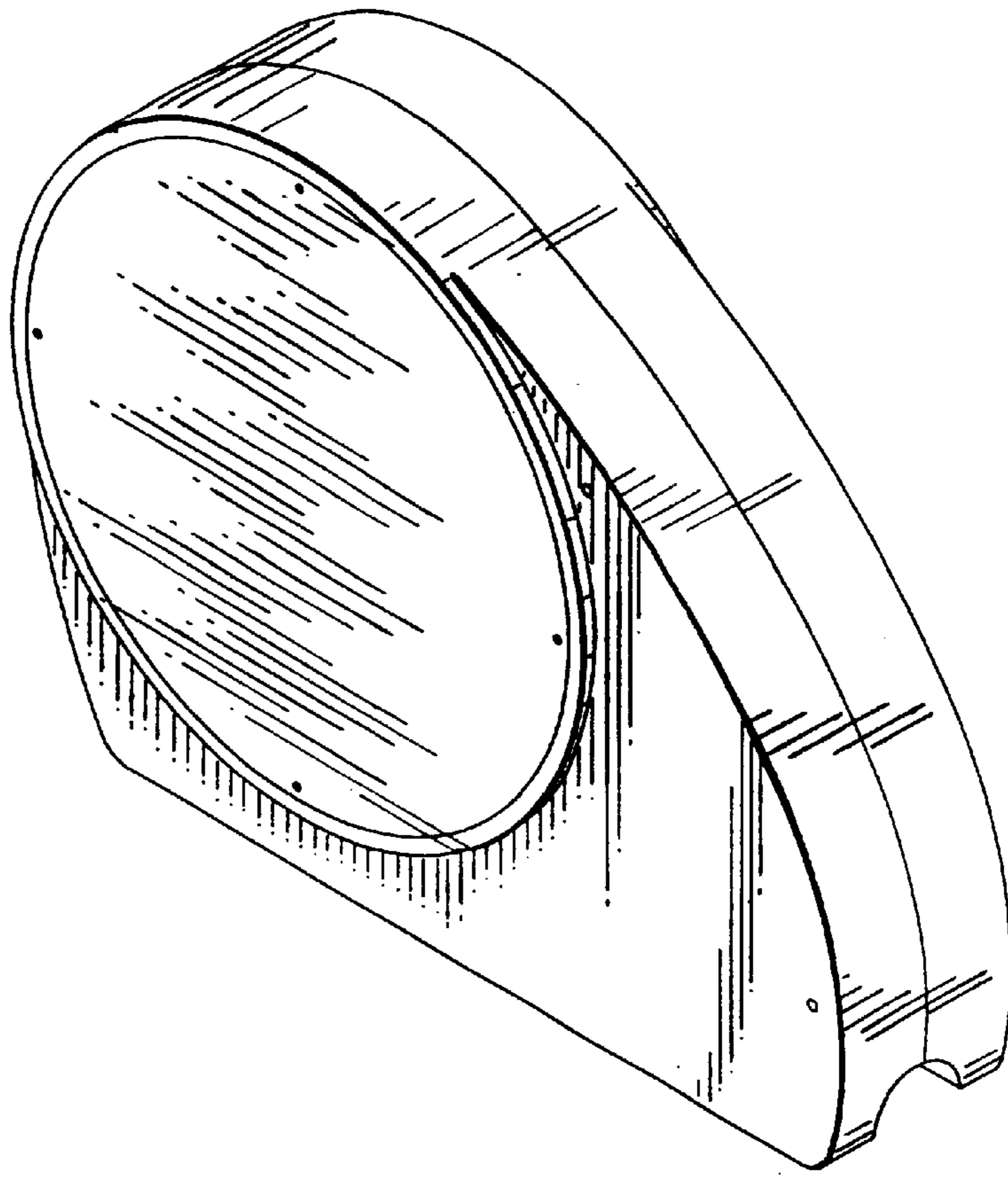


FIG. 1

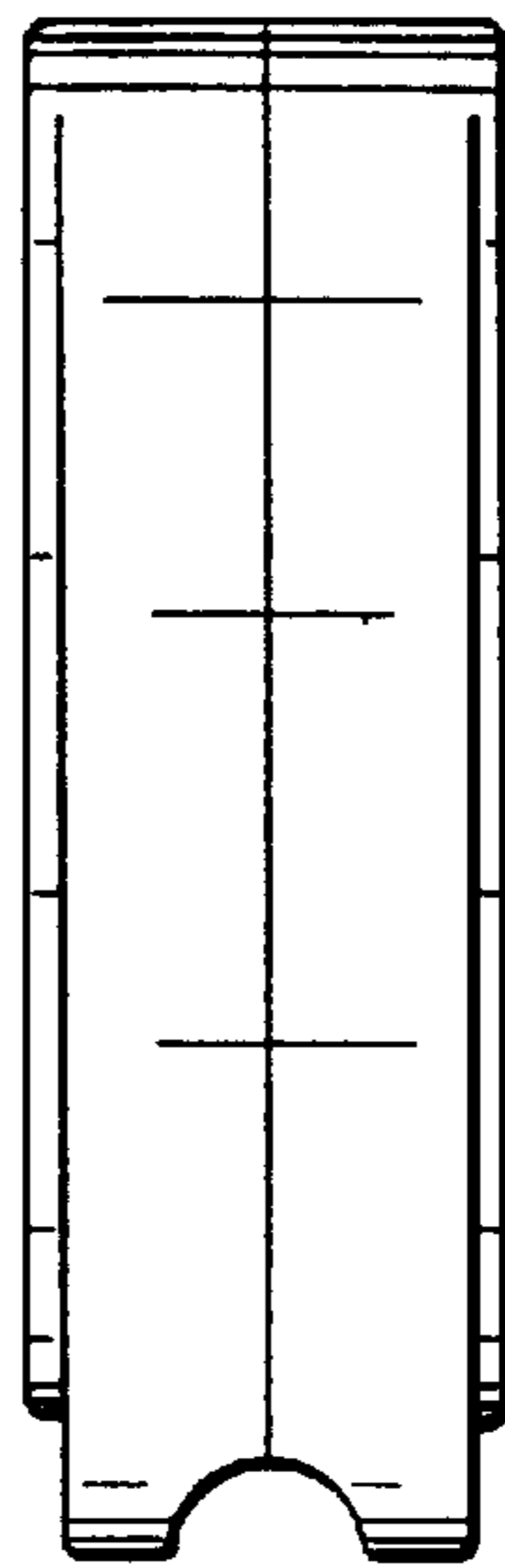


FIG. 2

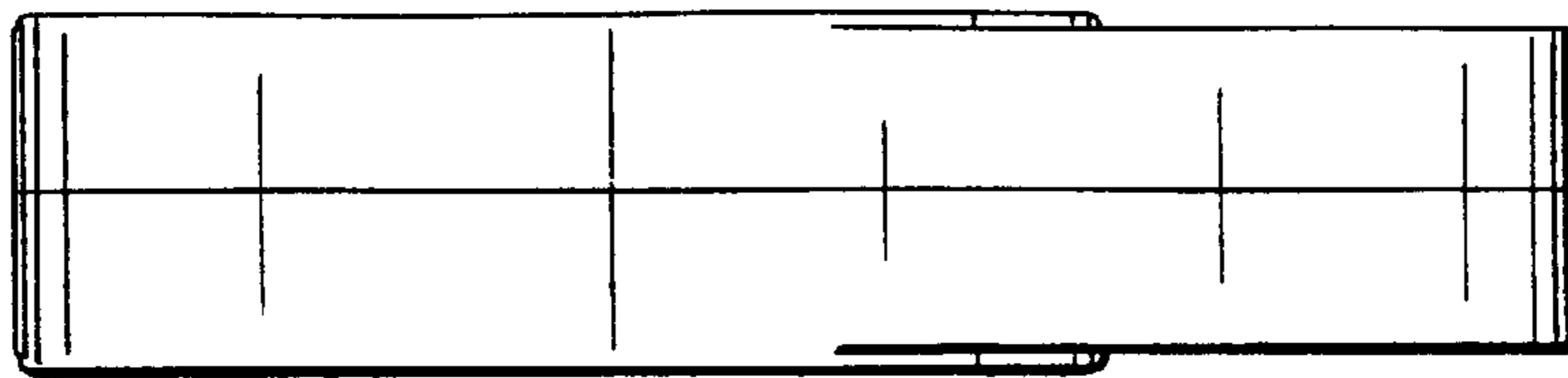


FIG. 3

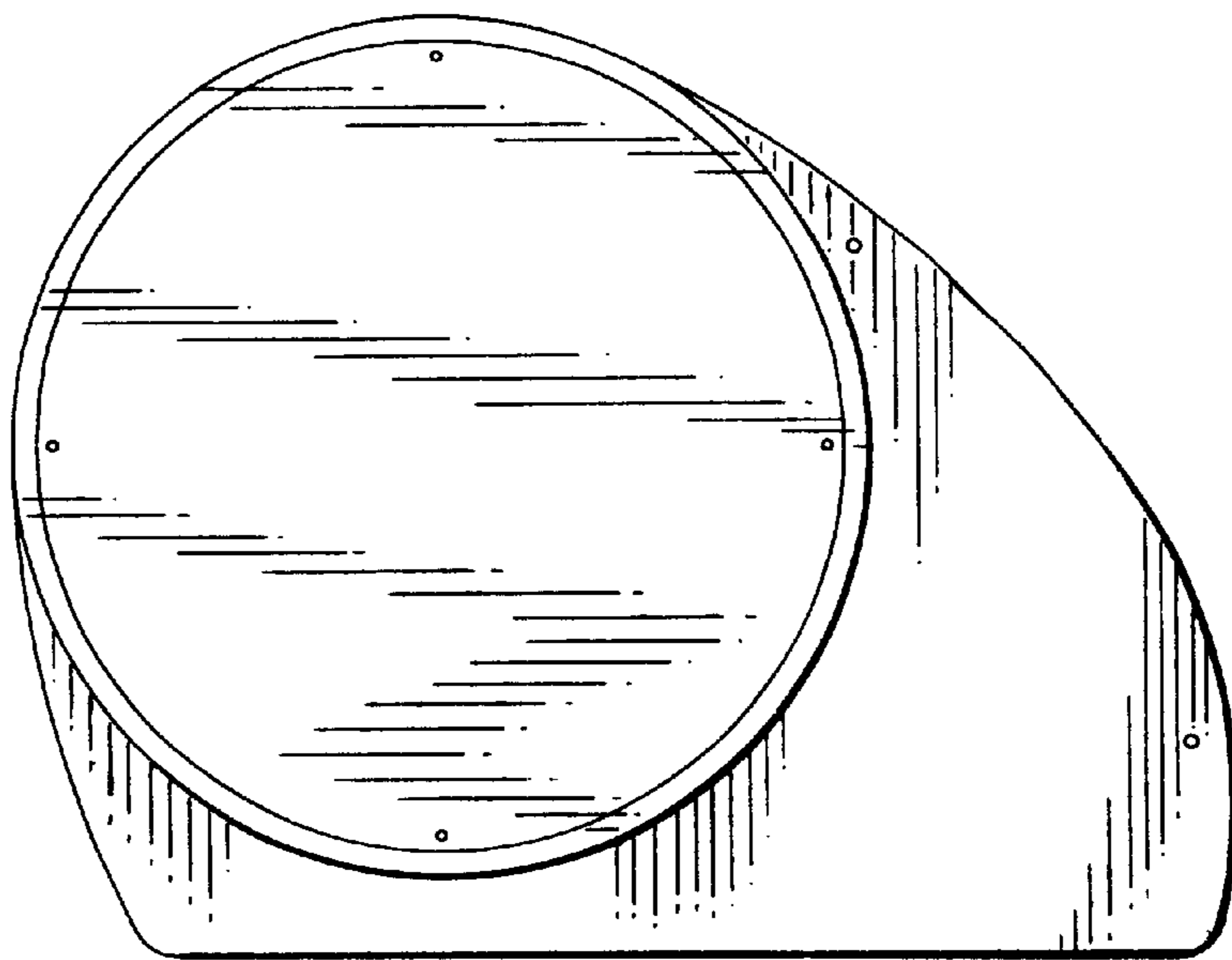


FIG. 4

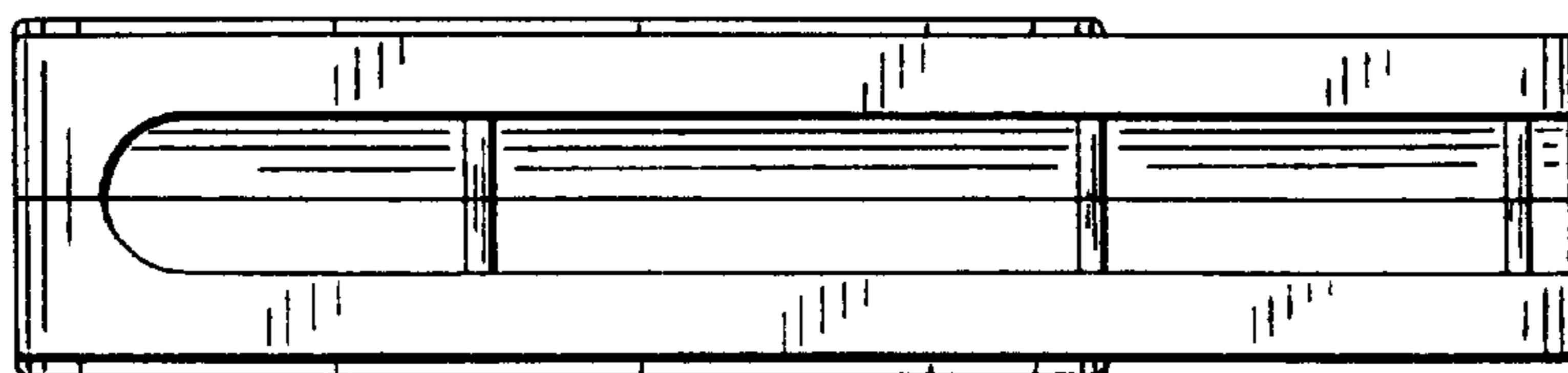


FIG. 5

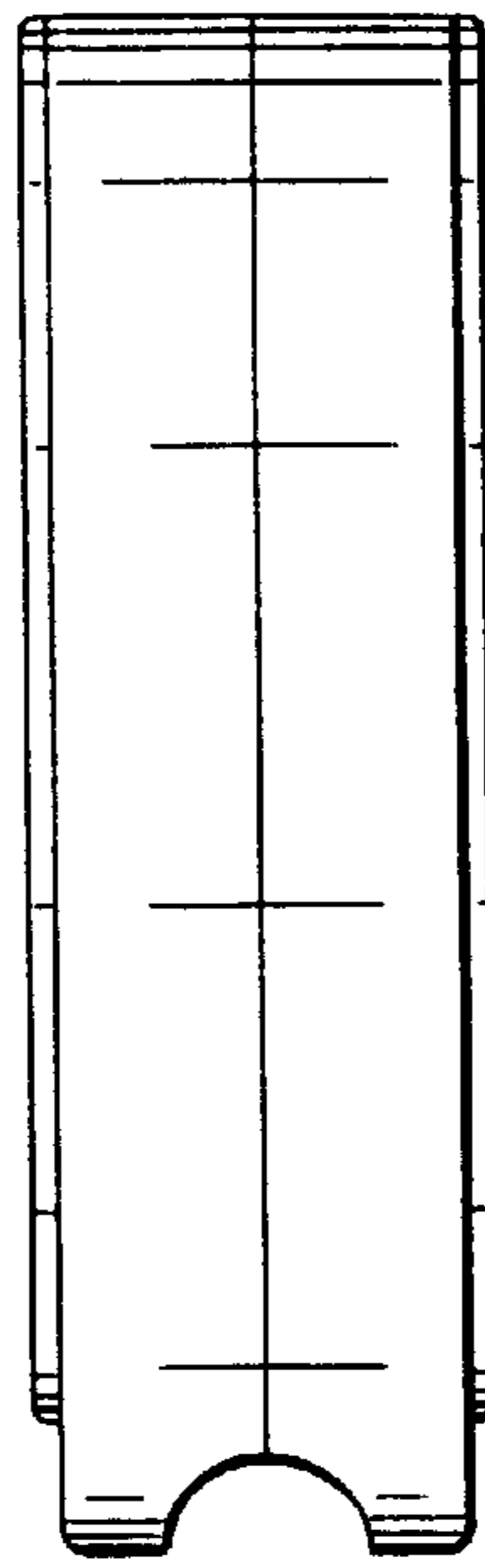


FIG. 6

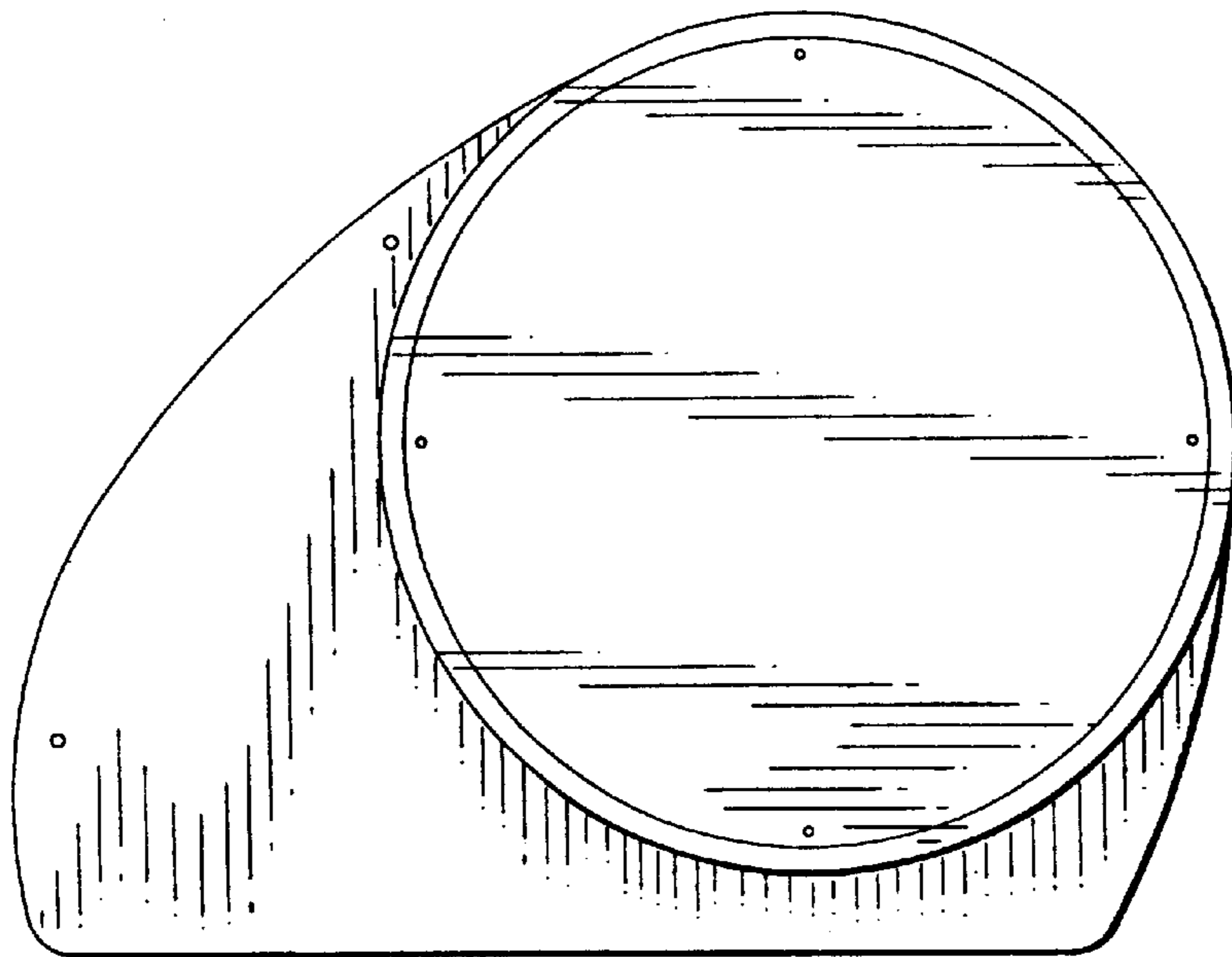


FIG. 7