



US00D450082B1

(12) **United States Design Patent**
Kusanagi et al.

(10) **Patent No.:** **US D450,082 S**

(45) **Date of Patent:** **** Nov. 6, 2001**

(54) **COMPUTER PRINTER**

(75) Inventors: **Takashi Kusanagi**, Akishima;
Masataka Isomoto, Yokohama;
Akihisa Shiozaki, Tokyo; **Tsutomu**
Yoshihara, Ayase, all of (JP)

(73) Assignee: **Canon Kabushiki Kaisha**, Tokyo (JP)

(**) Term: **14 Years**

(21) Appl. No.: **29/126,831**

(22) Filed: **Jul. 26, 2000**

(30) **Foreign Application Priority Data**

Feb. 1, 2000 (JP) 12-005809

(51) **LOC (7) Cl.** **18-02**

(52) **U.S. Cl.** **D18/53**

(58) **Field of Search** D18/50, 36-39,
D18/53-55; D14/116-118; 400/613, 613.1-613.4,
690, 690.1-690.4, 691-694

(56) **References Cited**

U.S. PATENT DOCUMENTS

D. 312,267 * 11/1990 Biggs et al. D18/39

D. 357,934 * 5/1995 Kurafuji et al. D18/53

D. 366,061 * 1/1996 Likins et al. D18/53 X

D. 369,382 * 4/1996 Matsunaga et al. D18/55

D. 377,944 * 2/1997 Seki et al. D18/39

D. 378,587 * 3/1997 Kanyo et al. D14/116

D. 425,551 5/2000 Shiozaki et al. D18/53

* cited by examiner

Primary Examiner—Melody N. Brown

(74) *Attorney, Agent, or Firm*—Fitzpatrick, Cella, Harper & Scinto

(57) **CLAIM**

The ornamental design for a computer printer, as shown and described.

DESCRIPTION

FIG. 1 is a front view of a computer printer showing our new design;

FIG. 2 is a rear view thereof;

FIG. 3 is a top plan view thereof;

FIG. 4 is a bottom plan view thereof;

FIG. 5 is a left side view thereof;

FIG. 6 is a right side view thereof; and,

FIG. 7 is a perspective view as thereof.

The portions of the printer shown in broken lines throughout the drawing are for illustrative purposes only and form no part of the claimed invention.

1 Claim, 4 Drawing Sheets

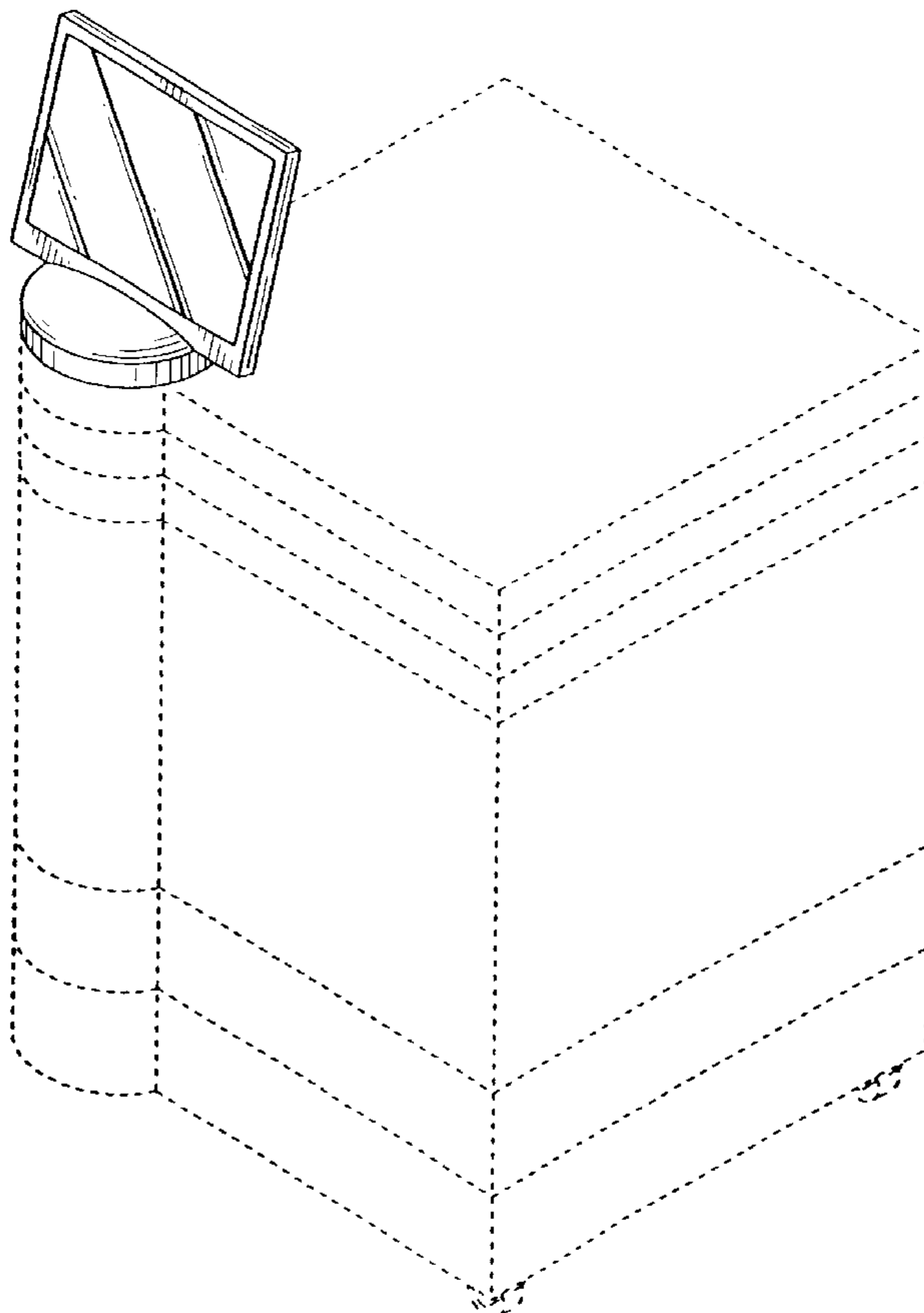


FIG. 2

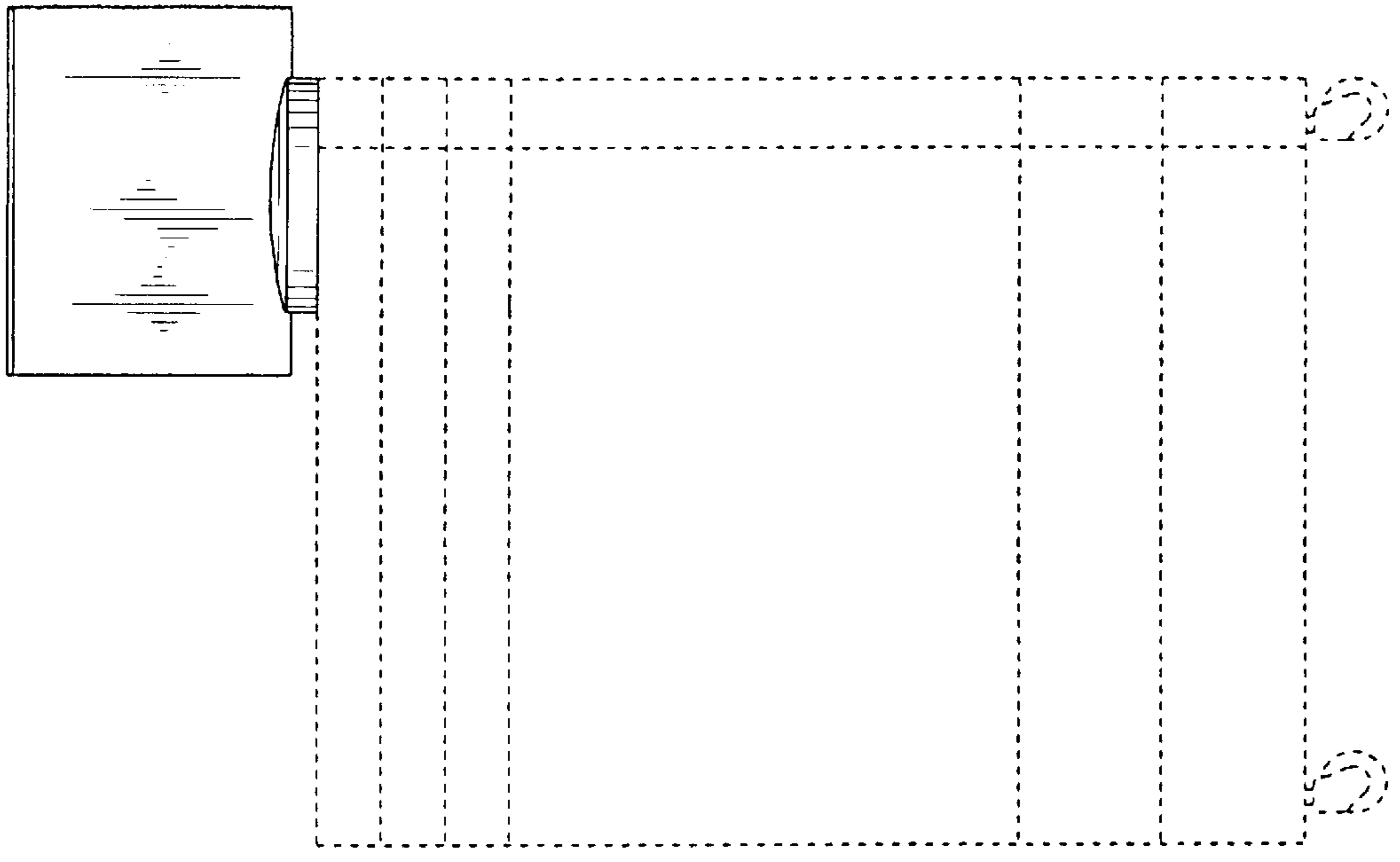


FIG. 1

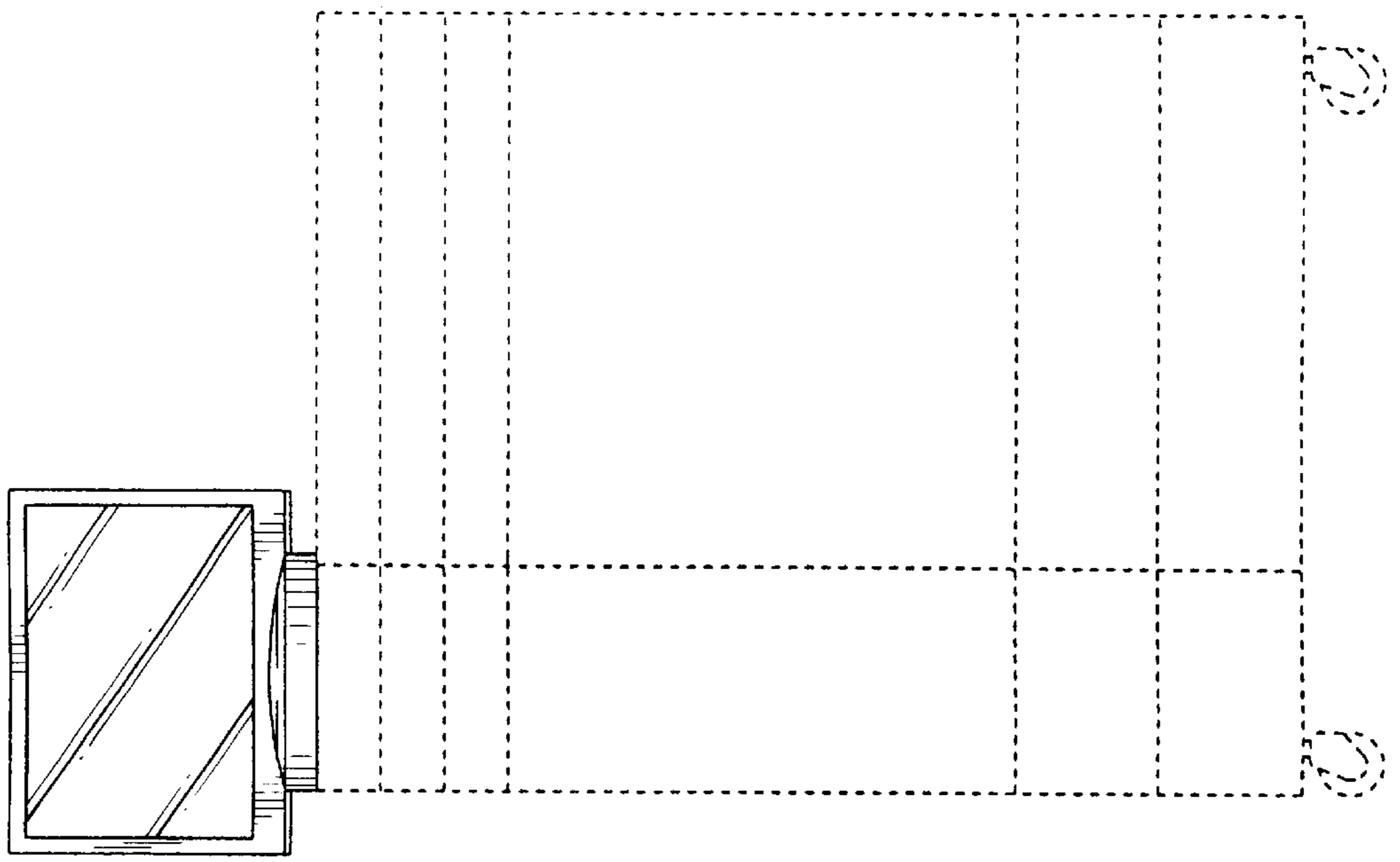


FIG. 3

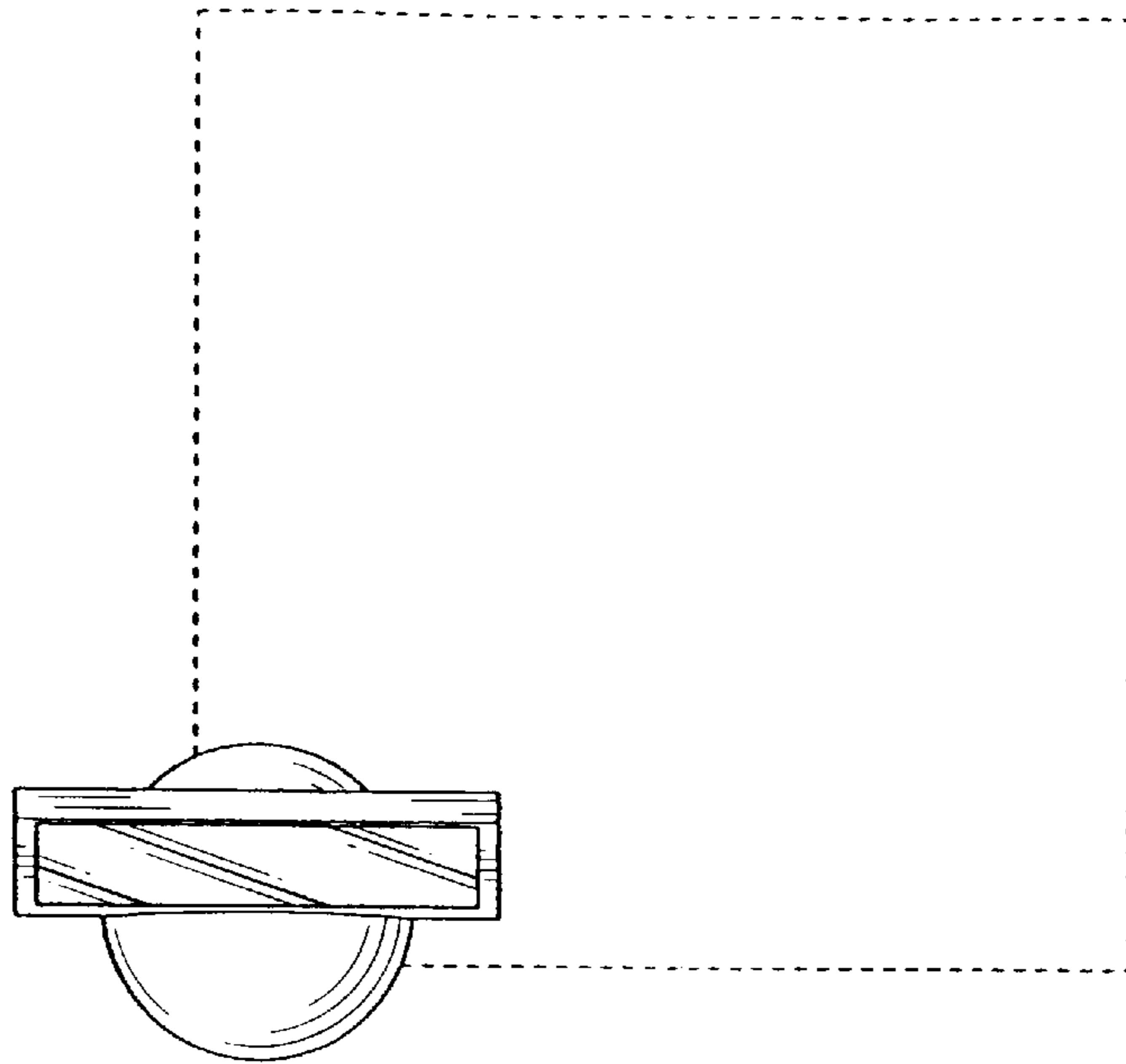


FIG. 4

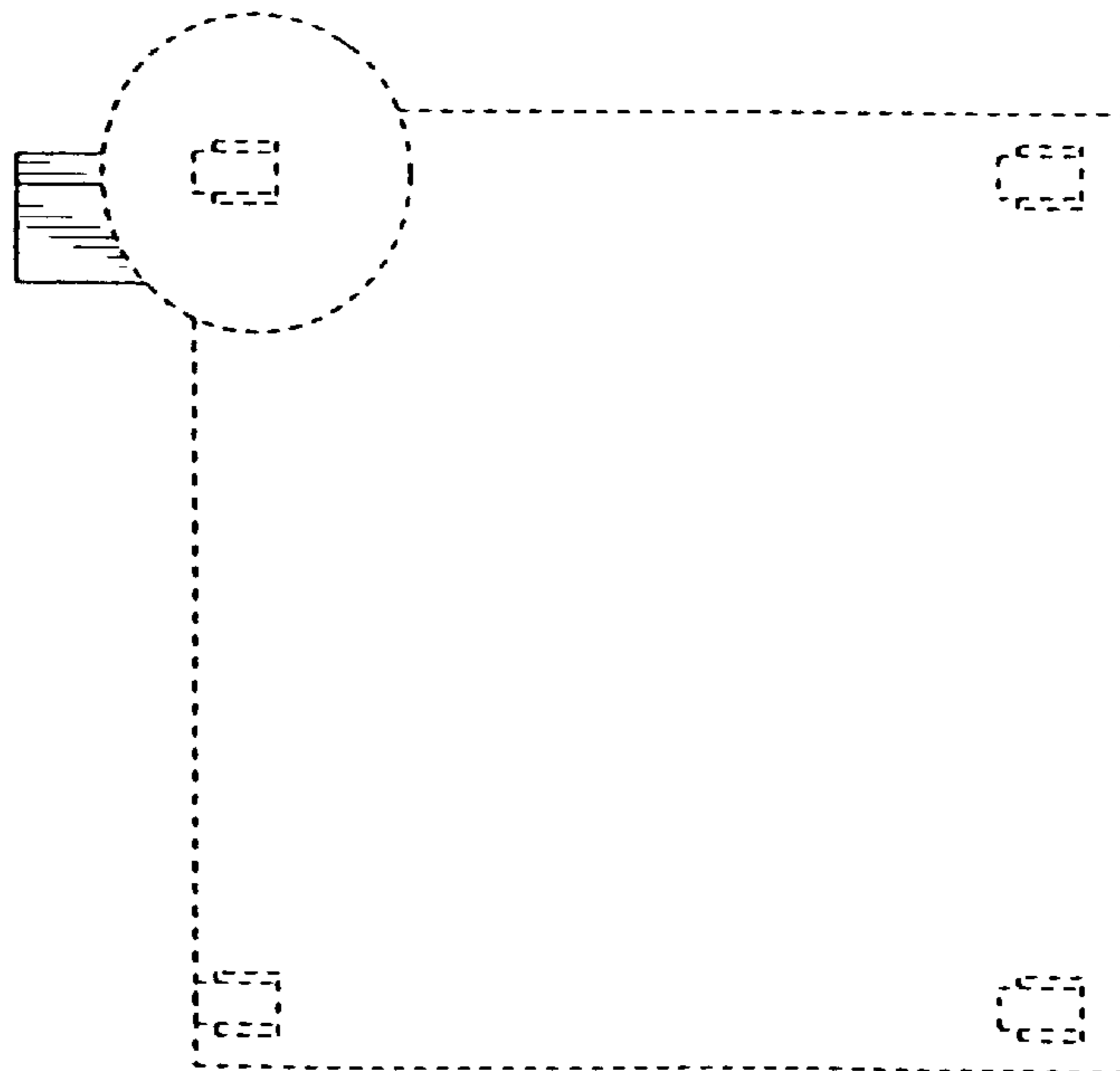


FIG. 6

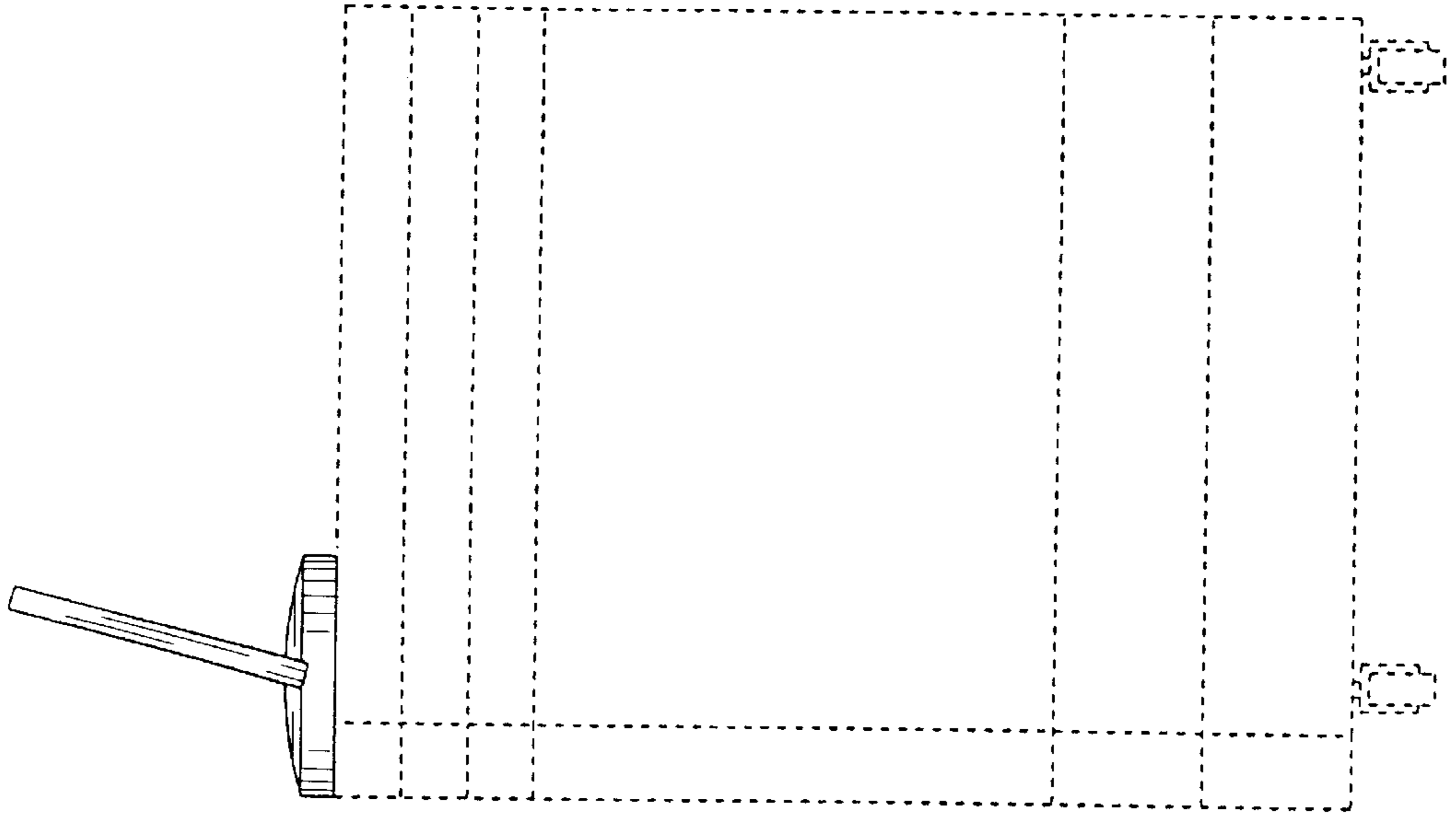


FIG. 5

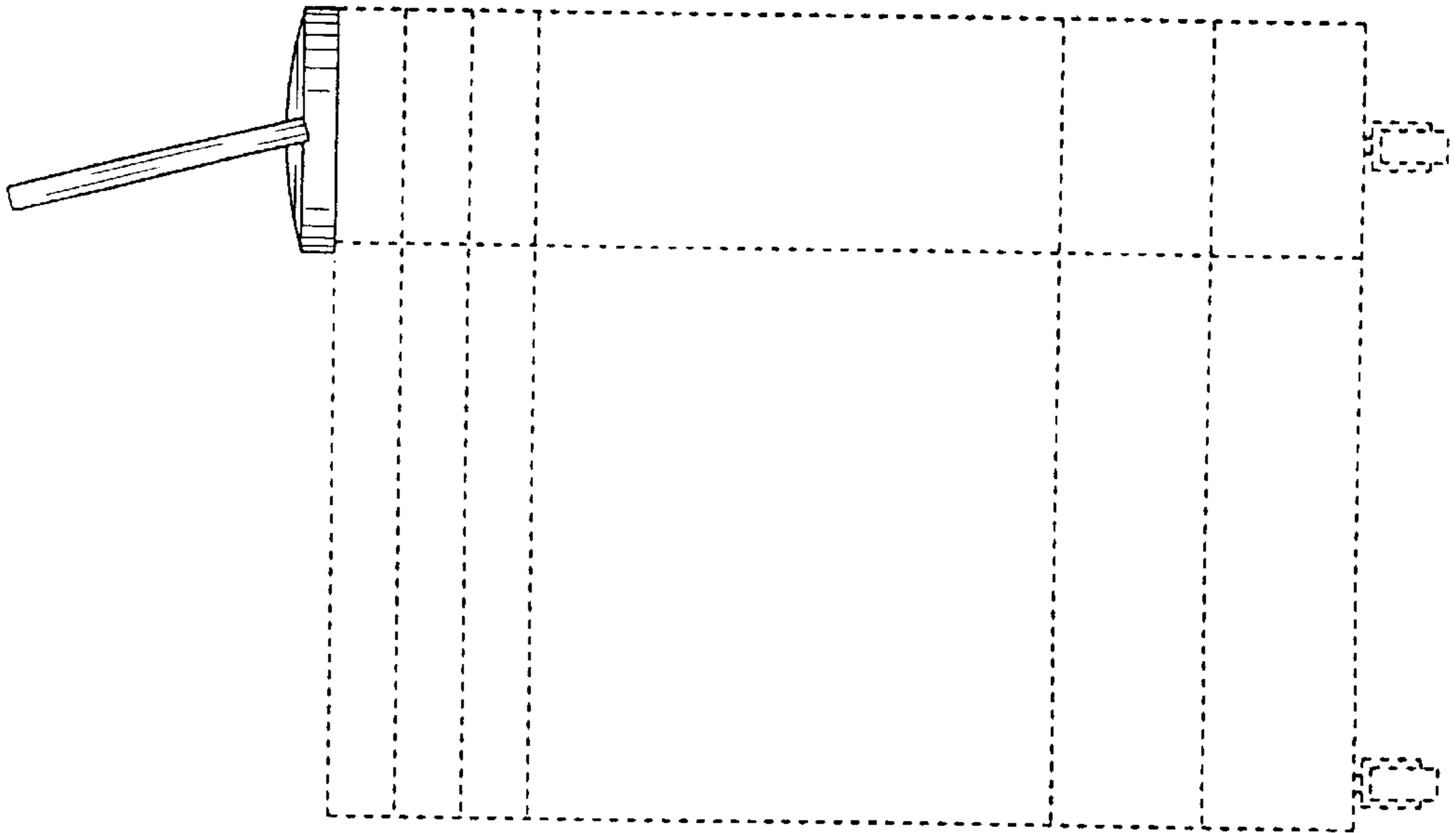


FIG. 7

