



US00D450081B1

(12) **United States Design Patent**  
**Tsuji et al.**

(10) **Patent No.:** **US D450,081 S**

(45) **Date of Patent:** **\*\* Nov. 6, 2001**

(54) **TONER CARTRIDGE**

(75) Inventors: **Yasuaki Tsuji; Tatsuo Nakanishi;**  
**Masahiro Yoshino**, all of Tokyo (JP)

(73) Assignee: **Konica Corporation**, Tokyo (JP)

(\*) Notice: This patent is subject to a terminal disclaimer.

(\*\*) Term: **14 Years**

(21) Appl. No.: **29/125,647**

(22) Filed: **Jun. 27, 2000**

(30) **Foreign Application Priority Data**

Dec. 27, 1999 (JP) ..... 11-36189

(51) **LOC (7) Cl.** ..... **16-03**

(52) **U.S. Cl.** ..... **D18/43**

(58) **Field of Search** ..... D18/36, 40, 43,  
D18/56; 399/24, 25, 27, 28, 61, 99, 106,  
111, 262

(56) **References Cited**

**U.S. PATENT DOCUMENTS**

D. 356,597 \* 3/1995 Gray ..... D18/56

D. 403,348 \* 12/1998 Matsuoka et al. .... D18/43  
D. 430,197 \* 8/2000 Wang et al. .... D18/43  
D. 431,595 \* 10/2000 Wang et al. .... D18/43  
5,909,610 \* 6/1999 Yoshiki et al. .... 399/262  
6,134,411 \* 10/2000 Meyer et al. .... 399/262  
6,137,978 \* 10/2000 Tsuchiya et al. .... 399/258

\* cited by examiner

*Primary Examiner*—Caron D. Veynar

(74) *Attorney, Agent, or Firm*—Frishauf, Holtz, Goodman,  
Langer & Chick, P.C.

(57) **CLAIM**

The ornamental design for a toner cartridge, as shown.

**DESCRIPTION**

FIG. 1 is a front elevational view of a toner cartridge, showing our new design;

FIG. 2 is a rear elevational view thereof;

FIG. 3 is a top plan view thereof;

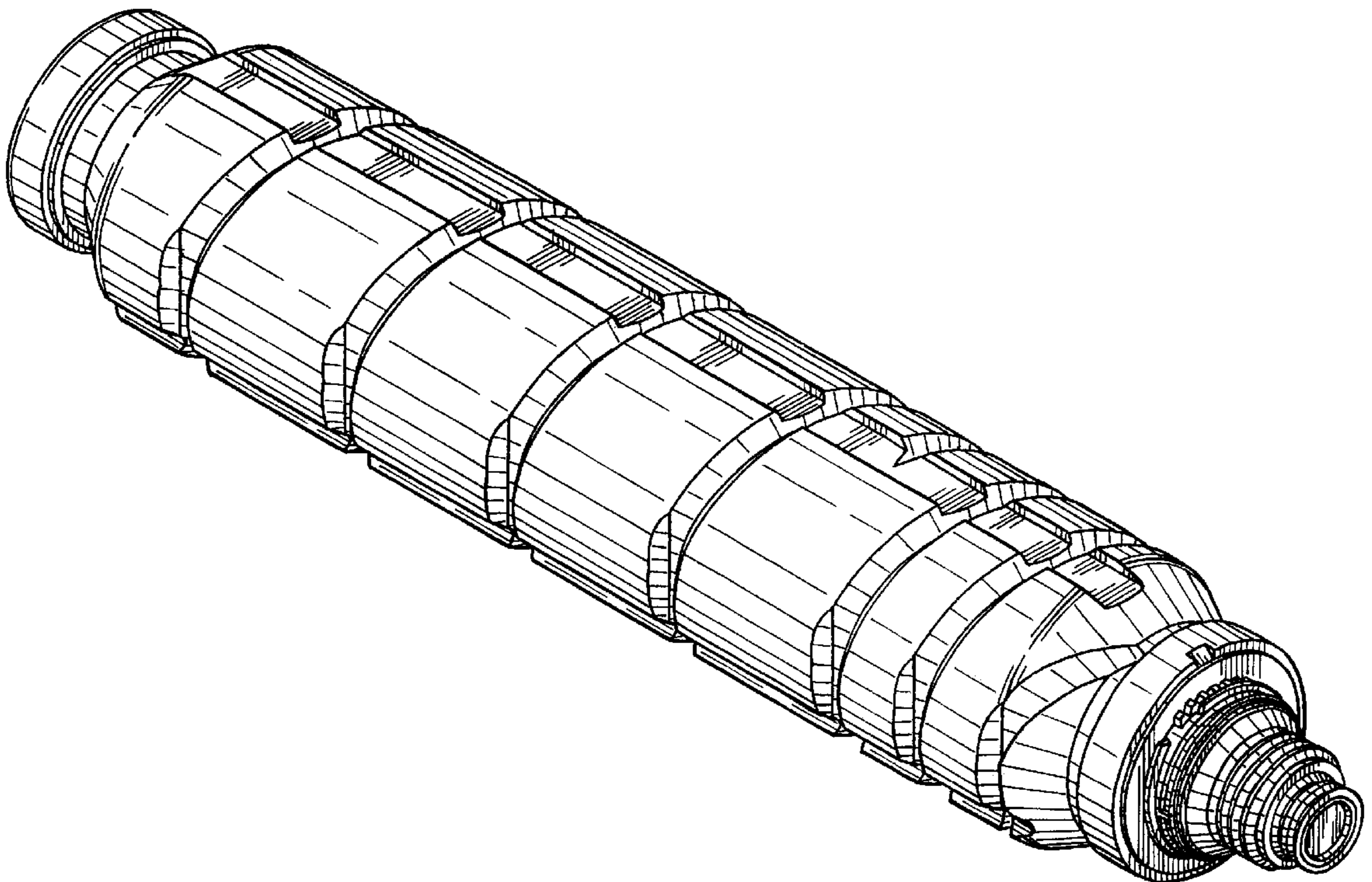
FIG. 4 is a bottom plan view thereof;

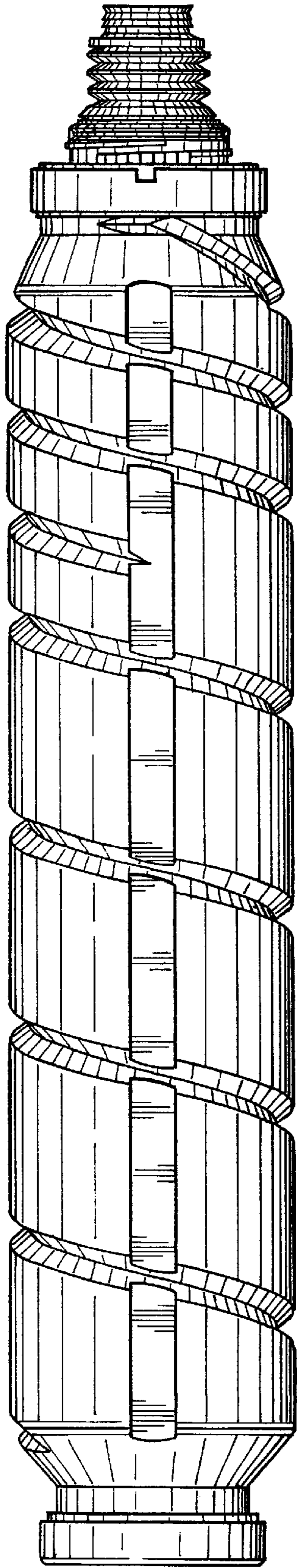
FIG. 5 is a left side top perspective view thereof;

FIG. 6 is a right-side top perspective view thereof; and,

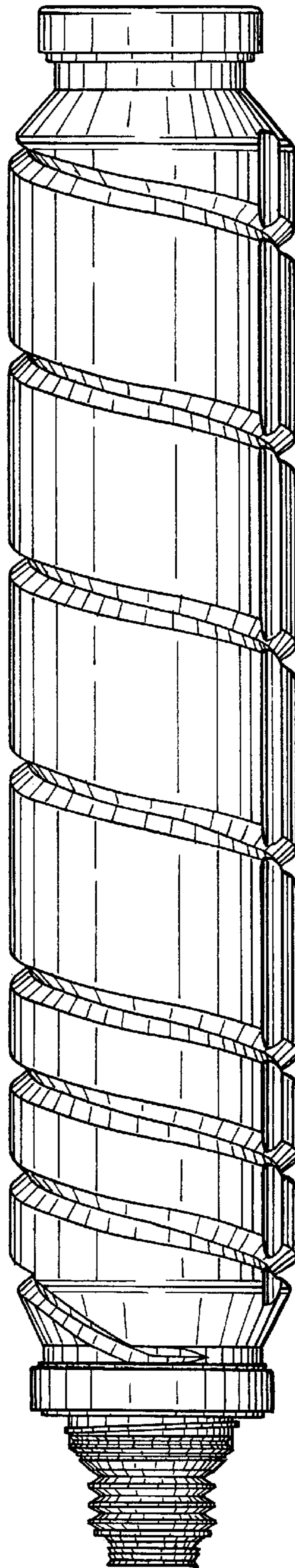
FIG. 7 is a perspective view thereof.

**1 Claim, 3 Drawing Sheets**

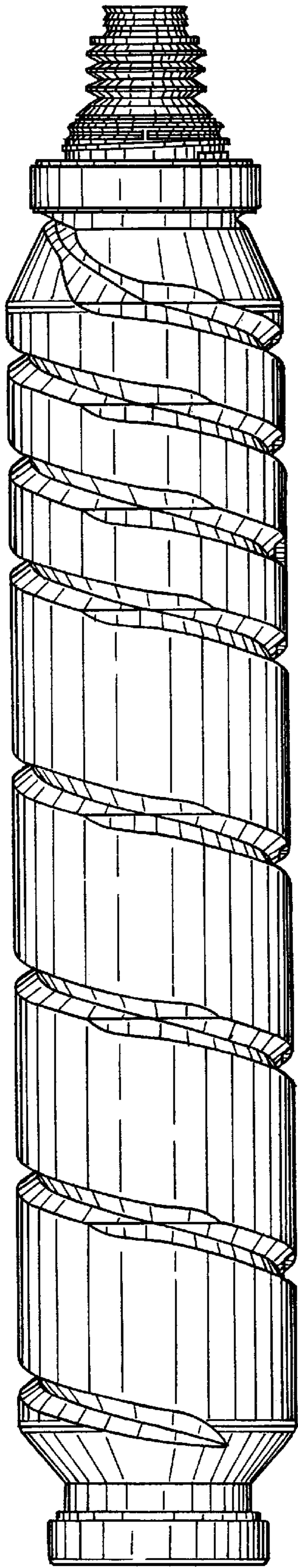




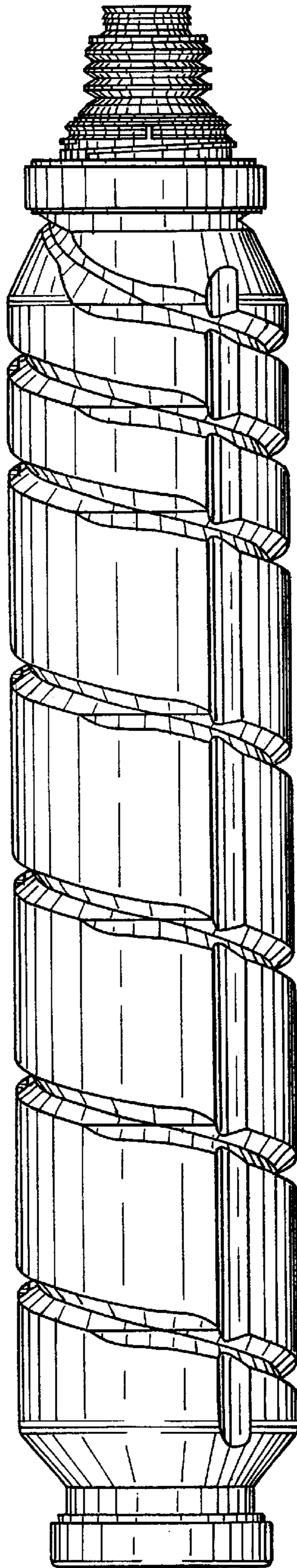
*Fig. 1*



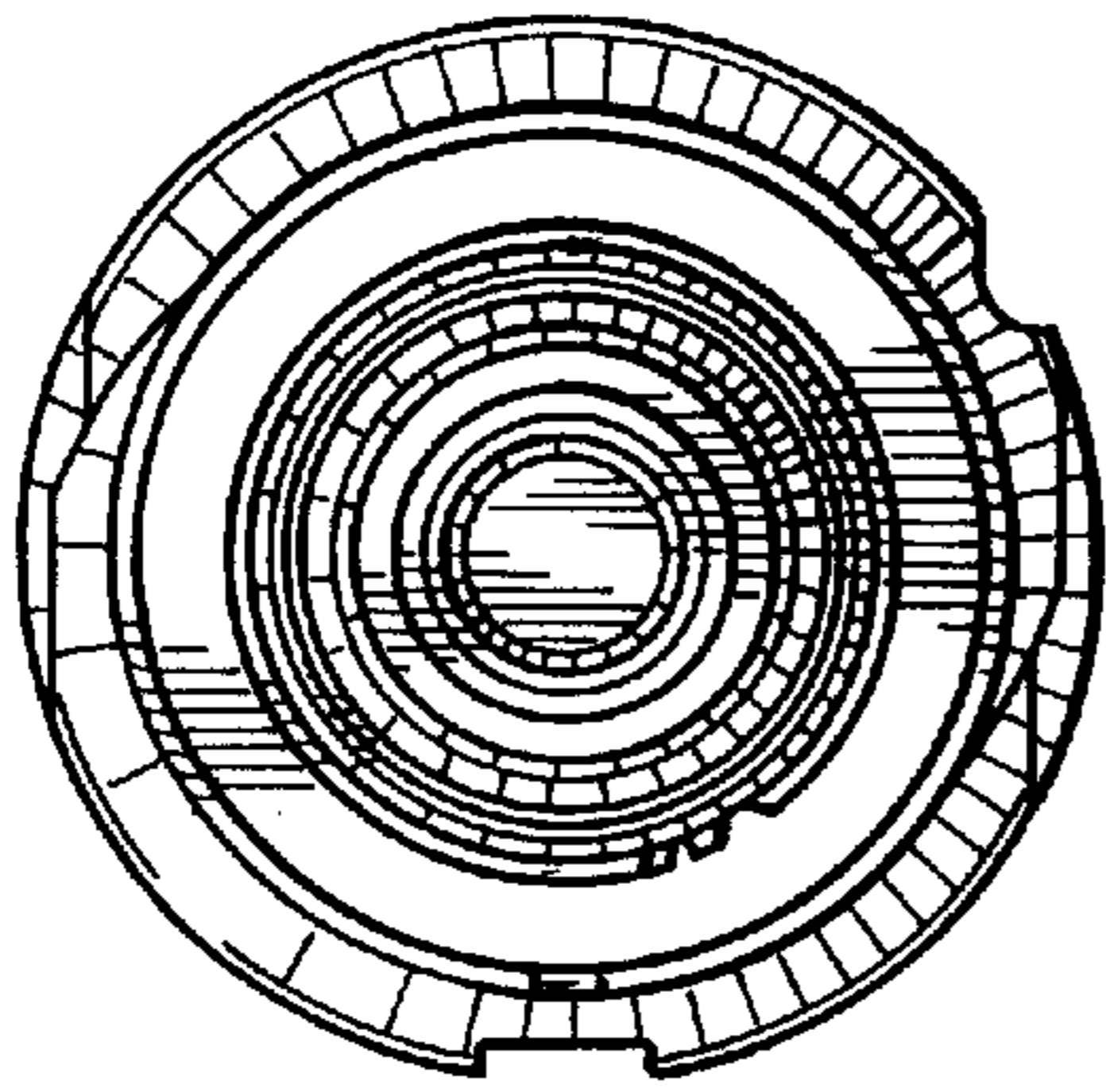
*Fig. 2*



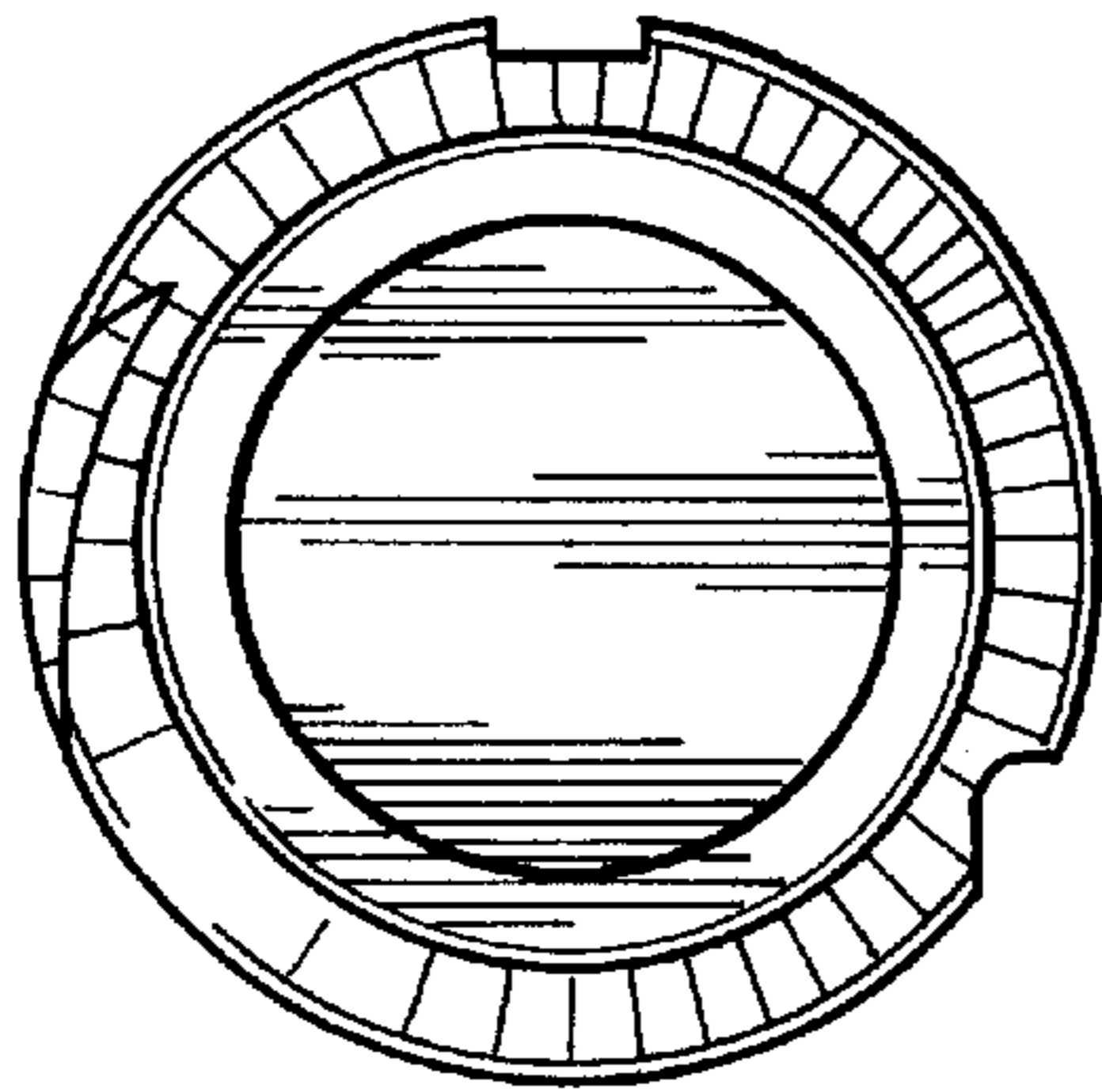
*Fig. 3*



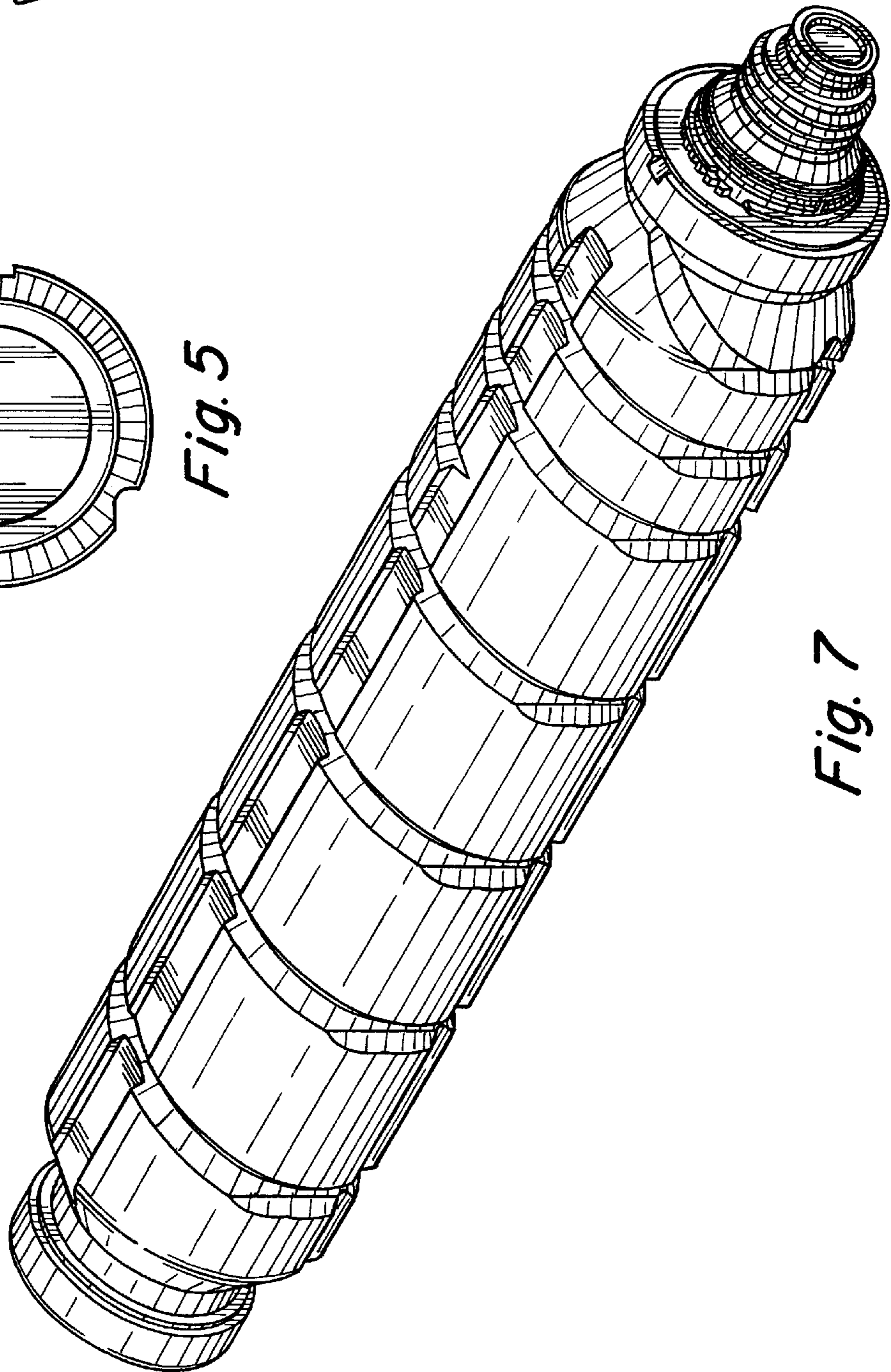
*Fig. 4*



*Fig. 6*



*Fig. 5*



*Fig. 7*