



US00D450080B1

(12) **United States Design Patent**
Ashikari

(10) **Patent No.:** **US D450,080 S**

(45) **Date of Patent:** **** Nov. 6, 2001**

(54) **DEVELOPER SUPPLYING DEVICE FOR
IMAGE FORMING APPARATUS**

D. 436,986 * 1/2001 Joroku et al. D18/43
D. 442,214 * 5/2001 Hayashi D18/43

(75) Inventor: **Tsutomu Ashikari**, Osaka (JP)

* cited by examiner

(73) Assignee: **Kyocera Mita Corporation**, Osaka
(JP)

Primary Examiner—Caron D. Veynar
(74) *Attorney, Agent, or Firm*—Smith, Gambrell & Russell,
LLP

(**) Term: **14 Years**

(57) **CLAIM**

(21) Appl. No.: **29/128,106**

The ornamental design for a developer supplying device for
image forming apparatus, as shown and described.

(22) Filed: **Aug. 11, 2000**

DESCRIPTION

(51) **LOC (7) Cl.** **16-03**

(52) **U.S. Cl.** **D18/40**

(58) **Field of Search** D18/40, 43, 56;
399/24-28, 61, 99, 106, 262; 222/DIG. 1

FIG. 1 is a perspective view of a developer supplying device
for image forming apparatus showing my new design;
FIG. 2 is an elevation left side view thereof;
FIG. 3 is an elevation right side view thereof;
FIG. 4 is an elevation front side view thereof;
FIG. 5 is an elevation back view thereof;
FIG. 6 is a top view thereof; and,
FIG. 7 is a bottom view of my design.

(56) **References Cited**

U.S. PATENT DOCUMENTS

D. 379,829 * 6/1997 Hayashi D18/56
D. 401,618 * 11/1998 Ikehata D18/43
D. 428,050 * 7/2000 Nishiyama et al. D18/43

1 Claim, 4 Drawing Sheets

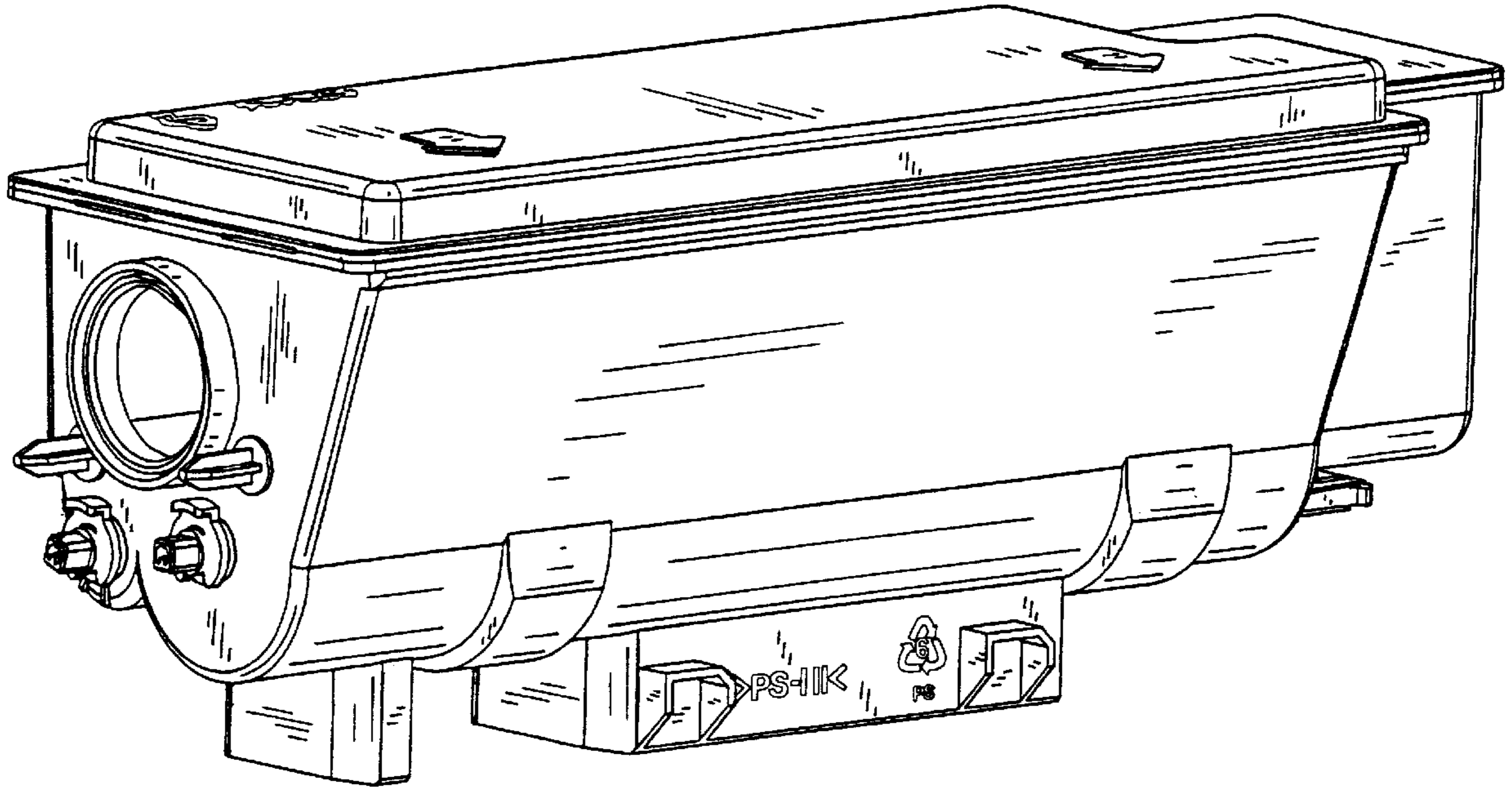


FIG. 1

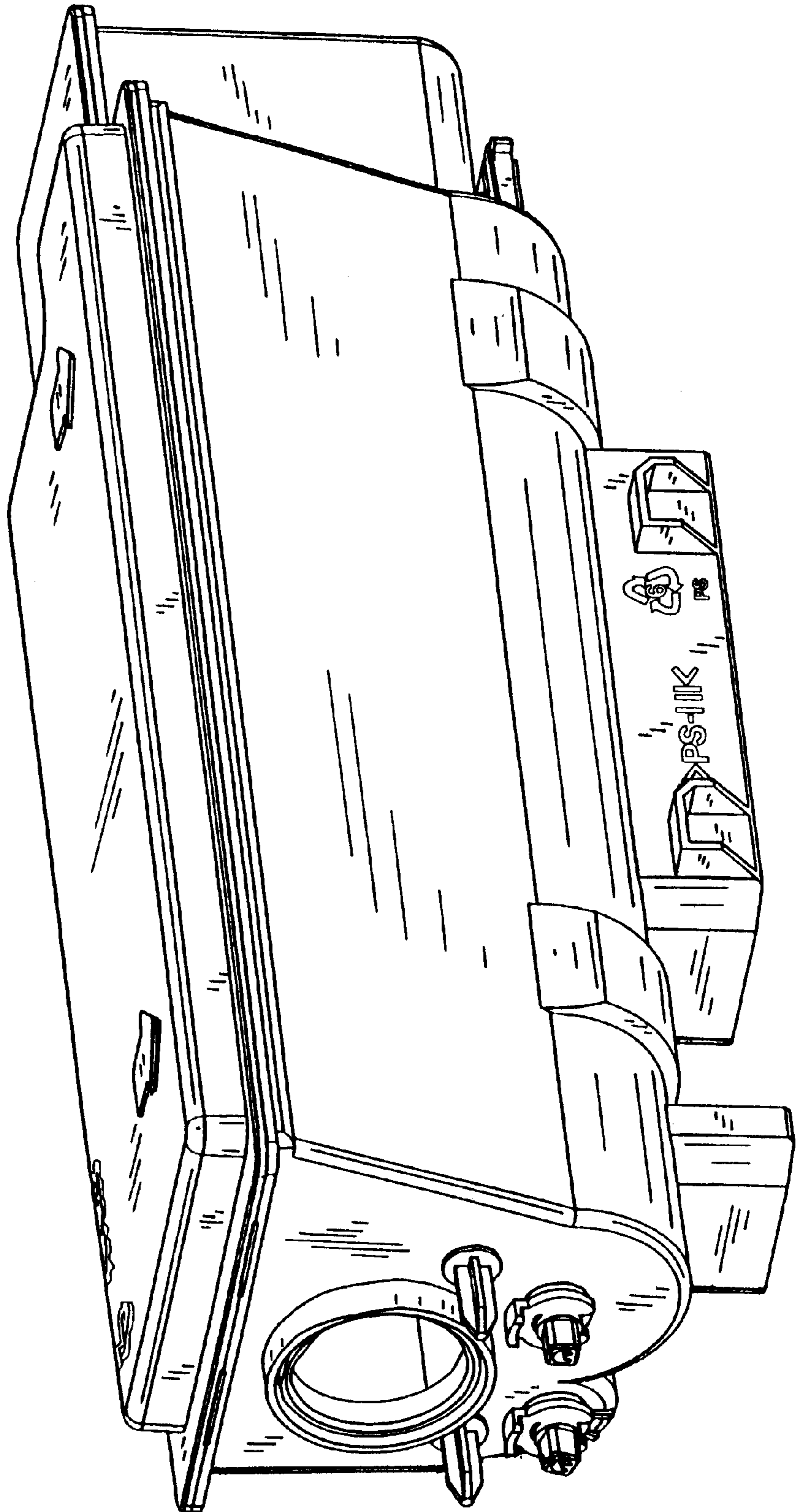


FIG. 2

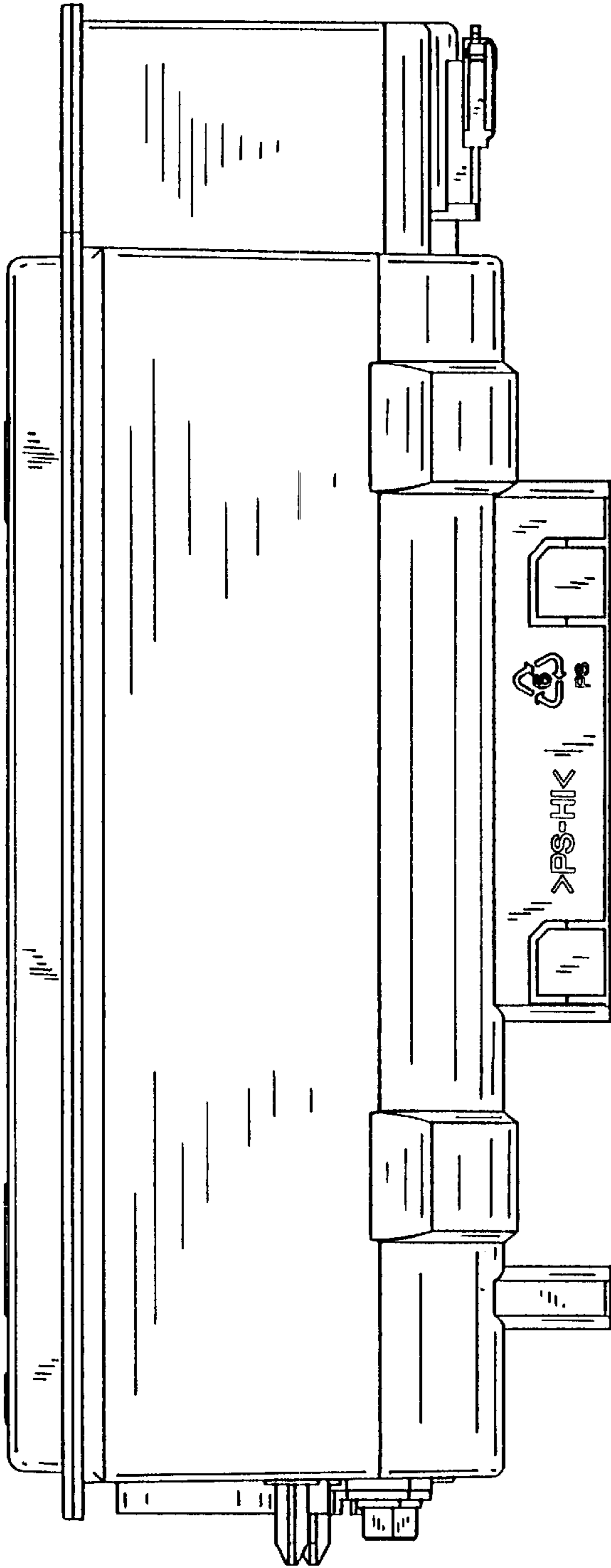


FIG. 3

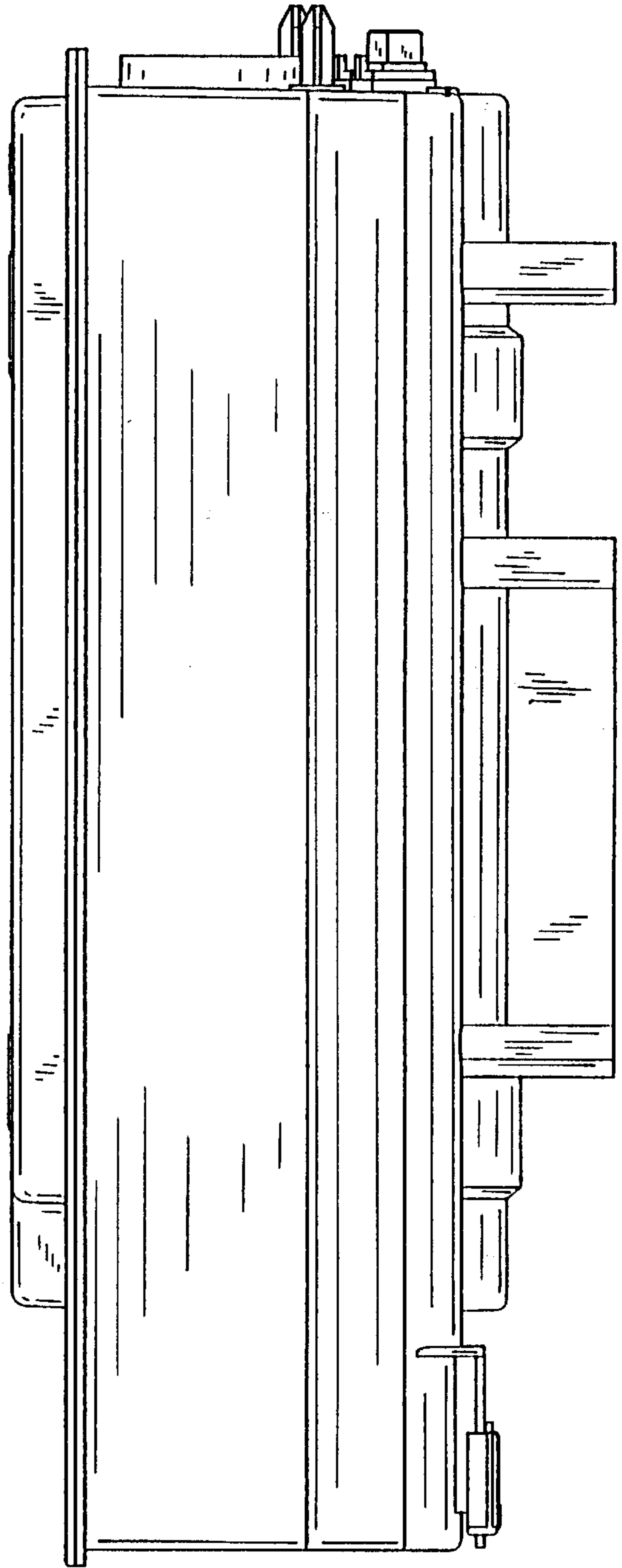


FIG. 4

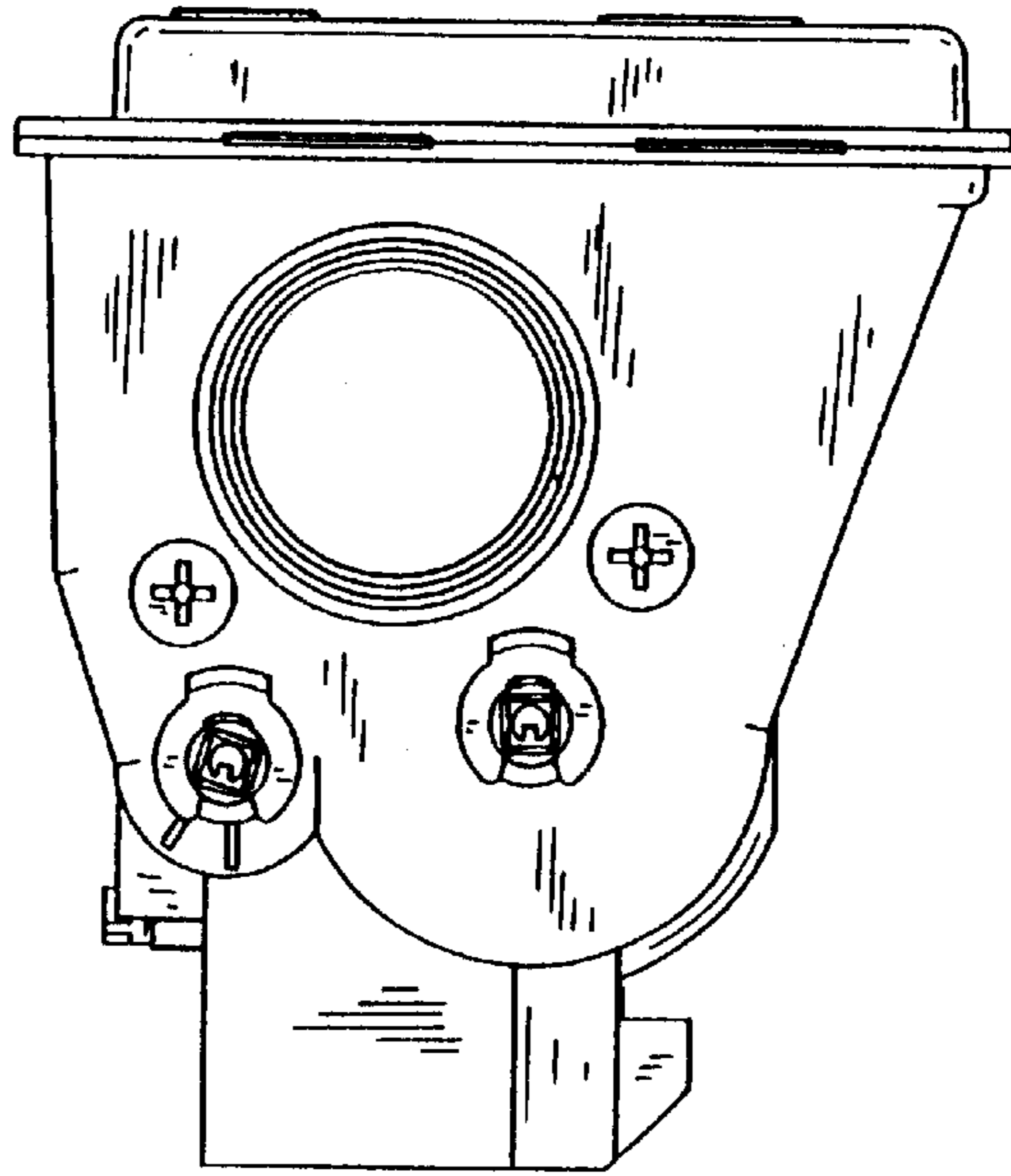


FIG. 5

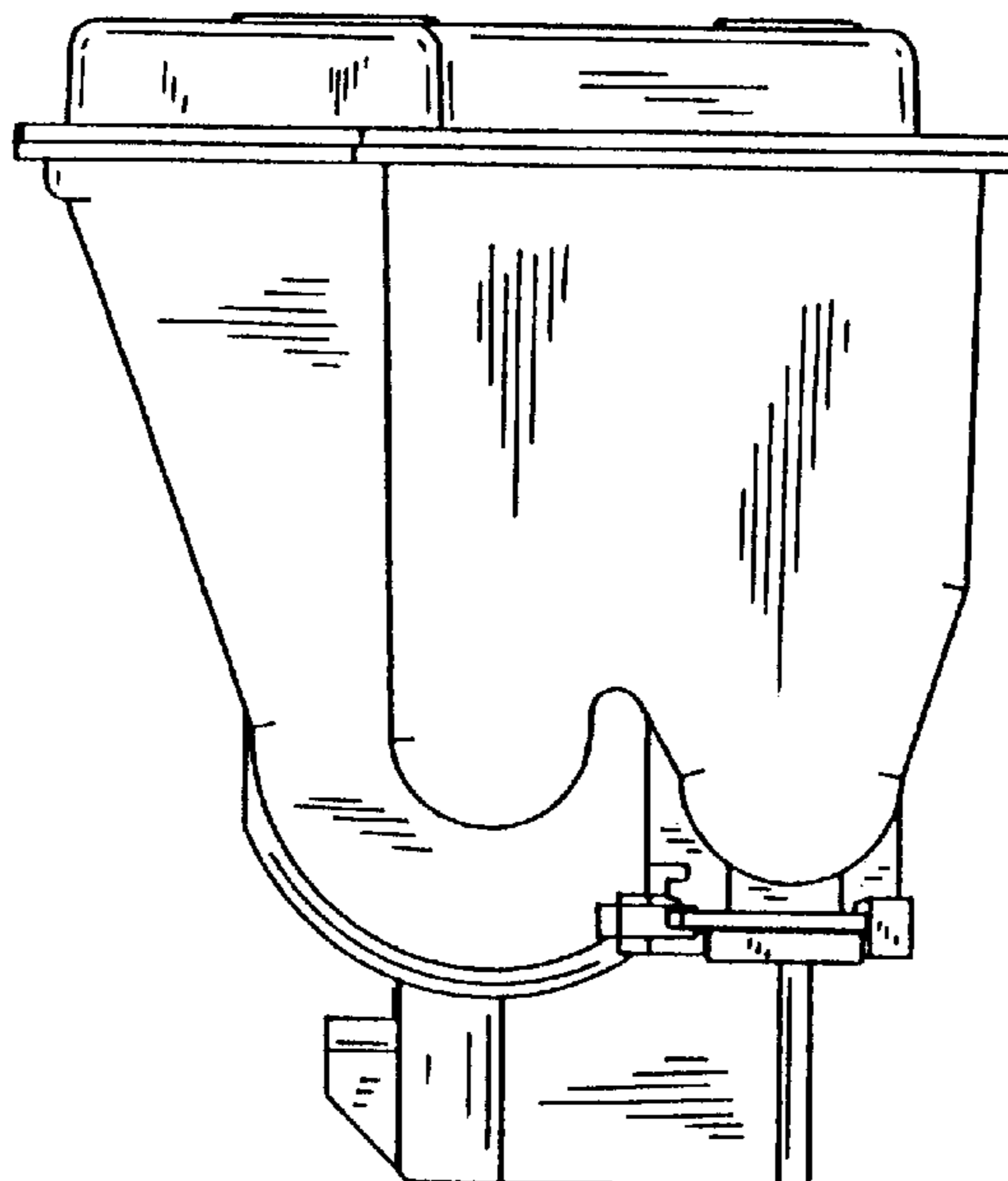


FIG. 6

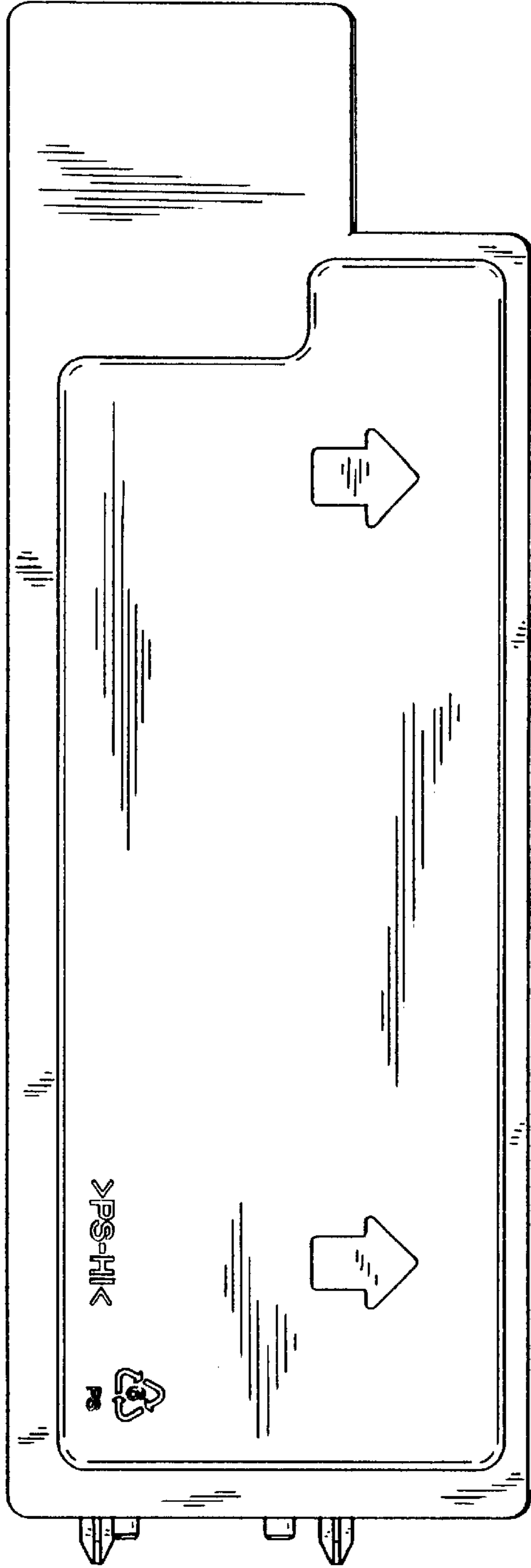


FIG. 7

