



US00D450075B1

(12) **United States Design Patent**  
**Uehara**

(10) **Patent No.:** **US D450,075 S**

(45) **Date of Patent:** **\*\* Nov. 6, 2001**

(54) **VIDEO CAMERA**

(75) Inventor: **Mitsuhiro Uehara**, Tokyo (JP)

(73) Assignee: **Sony Corporation**, Tokyo (JP)

(\*\*) Term: **14 Years**

(21) Appl. No.: **29/140,228**

(22) Filed: **Apr. 16, 2001**

(51) **LOC (7) Cl.** ..... **16-01**

(52) **U.S. Cl.** ..... **D16/203; D16/202**

(58) **Field of Search** ..... **D16/200-205,**  
**D16/208, 219; 348/143, 151, 373-376;**  
**352/242, 243; 396/419, 427, 535-541**

(56) **References Cited**

**U.S. PATENT DOCUMENTS**

D. 388,450	*	12/1997	Hamano et al.	.....	D16/203
D. 412,924	*	8/1999	Hiraguchi	.....	D16/219
D. 416,273	*	11/1999	Yamakawa et al.	.....	D16/203
D. 426,250	*	6/2000	Lefkowitz	.....	D16/203
5,689,304	*	11/1997	Jones et al.	.....	348/373
6,268,882	*	7/2001	Elberbaum	.....	348/143

**OTHER PUBLICATIONS**

Home page "Sony Security System Web" www.sony.co.jp, 1 sheet, Sony Corporation, Jan. 2001.

\* cited by examiner

*Primary Examiner*—Adir Aronovich

(74) *Attorney, Agent, or Firm*—Rader, Fishman & Grauer, PLLC

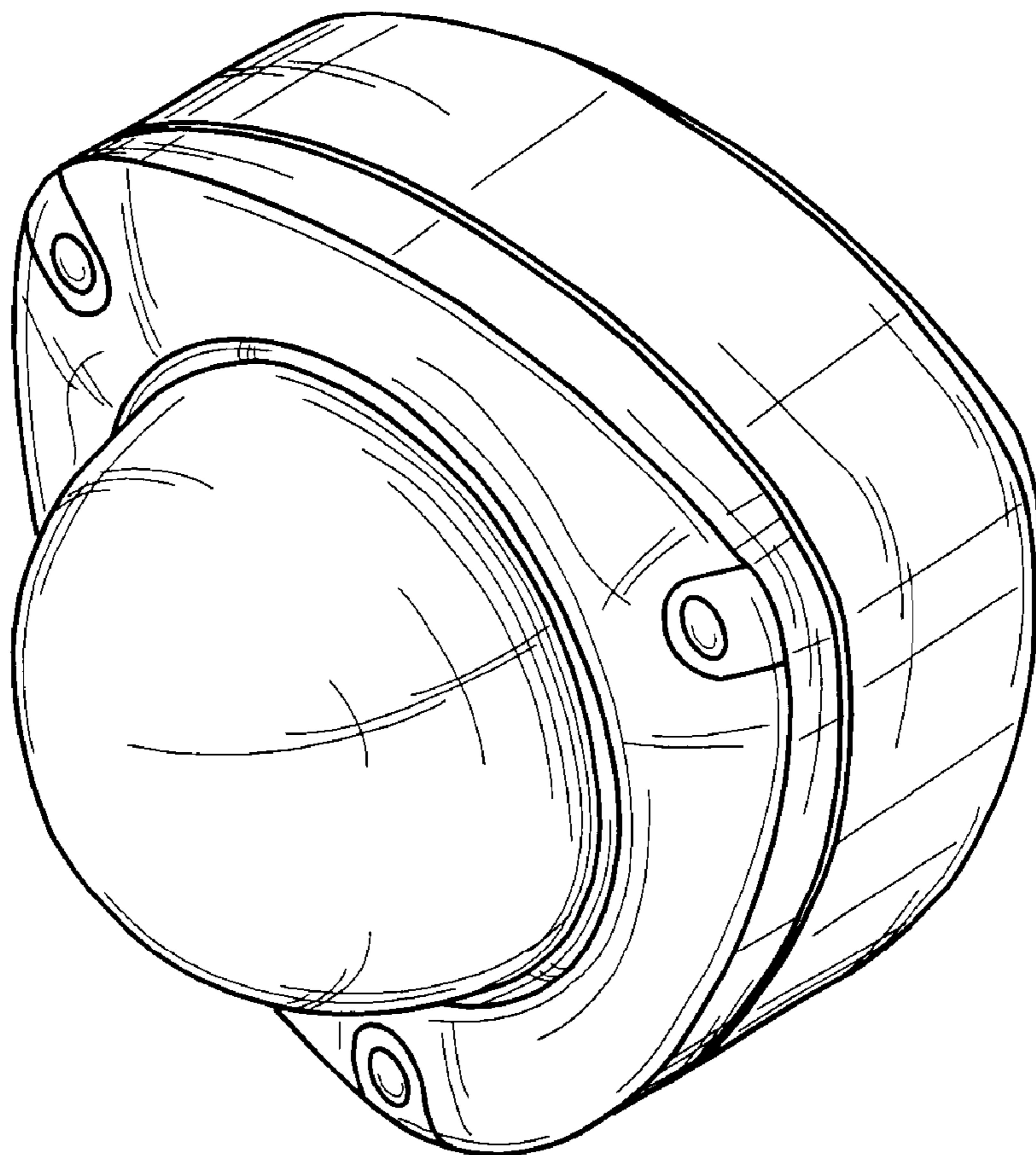
(57) **CLAIM**

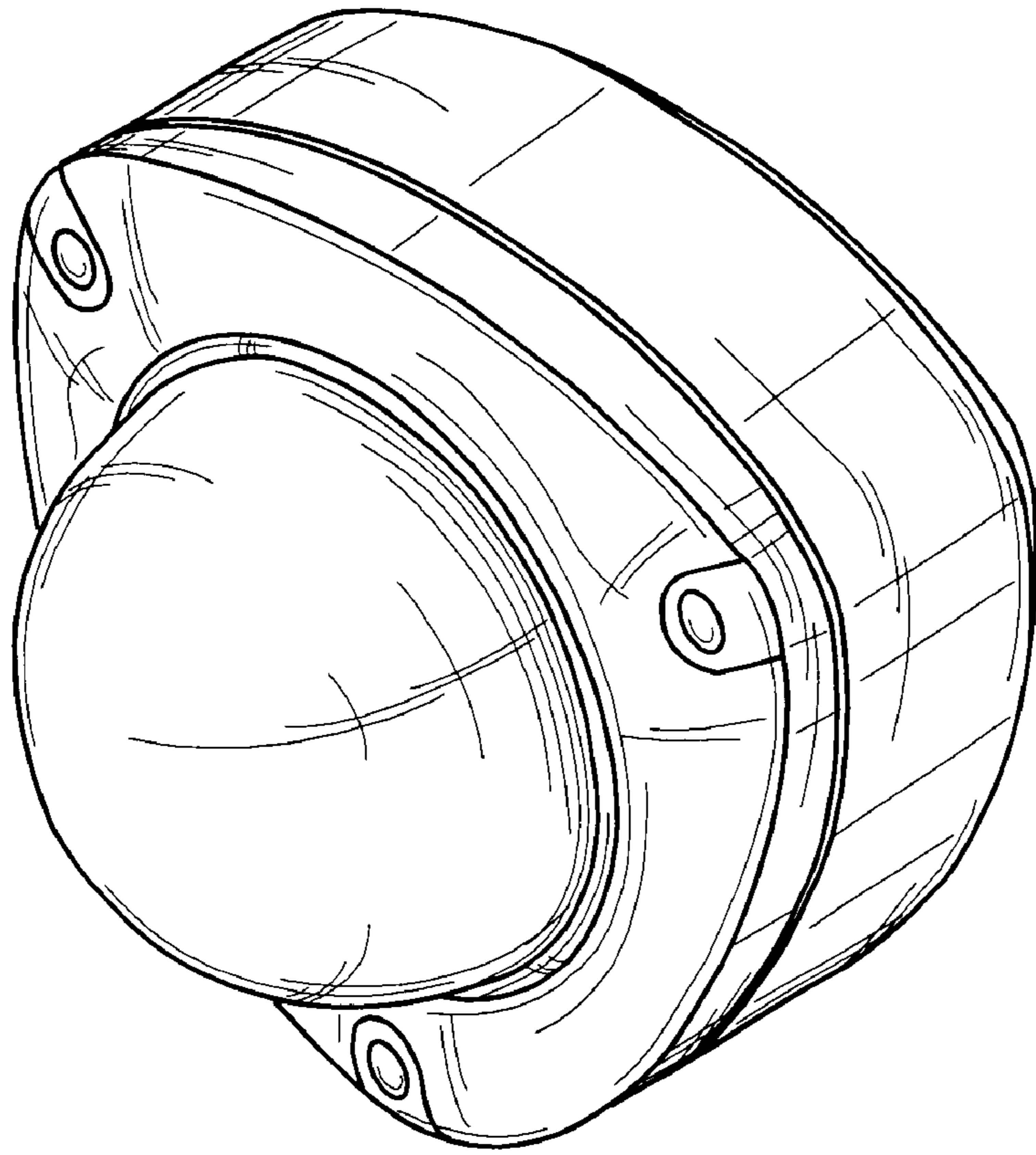
The ornamental design for a video camera, as shown and described.

**DESCRIPTION**

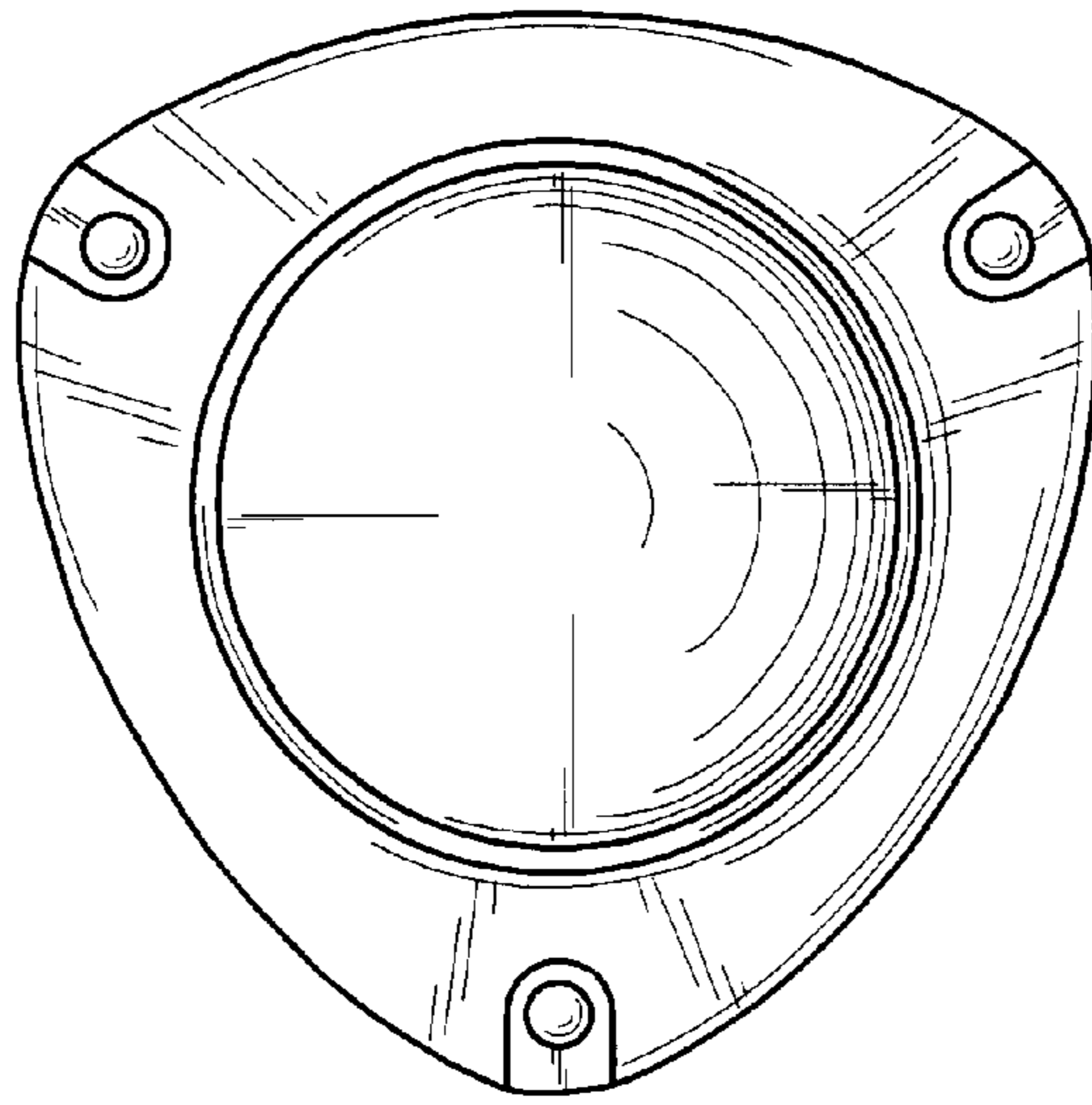
FIG. 1 is a perspective view of a video camera showing my new design;  
FIG. 2 is a front elevational view thereof;  
FIG. 3 is a rear elevational view thereof;  
FIG. 4 is a left side elevational view thereof;  
FIG. 5 is a right side elevational view thereof;  
FIG. 6 is a top plan view thereof; and,  
FIG. 7 is a bottom plan view thereof.

**1 Claim, 4 Drawing Sheets**

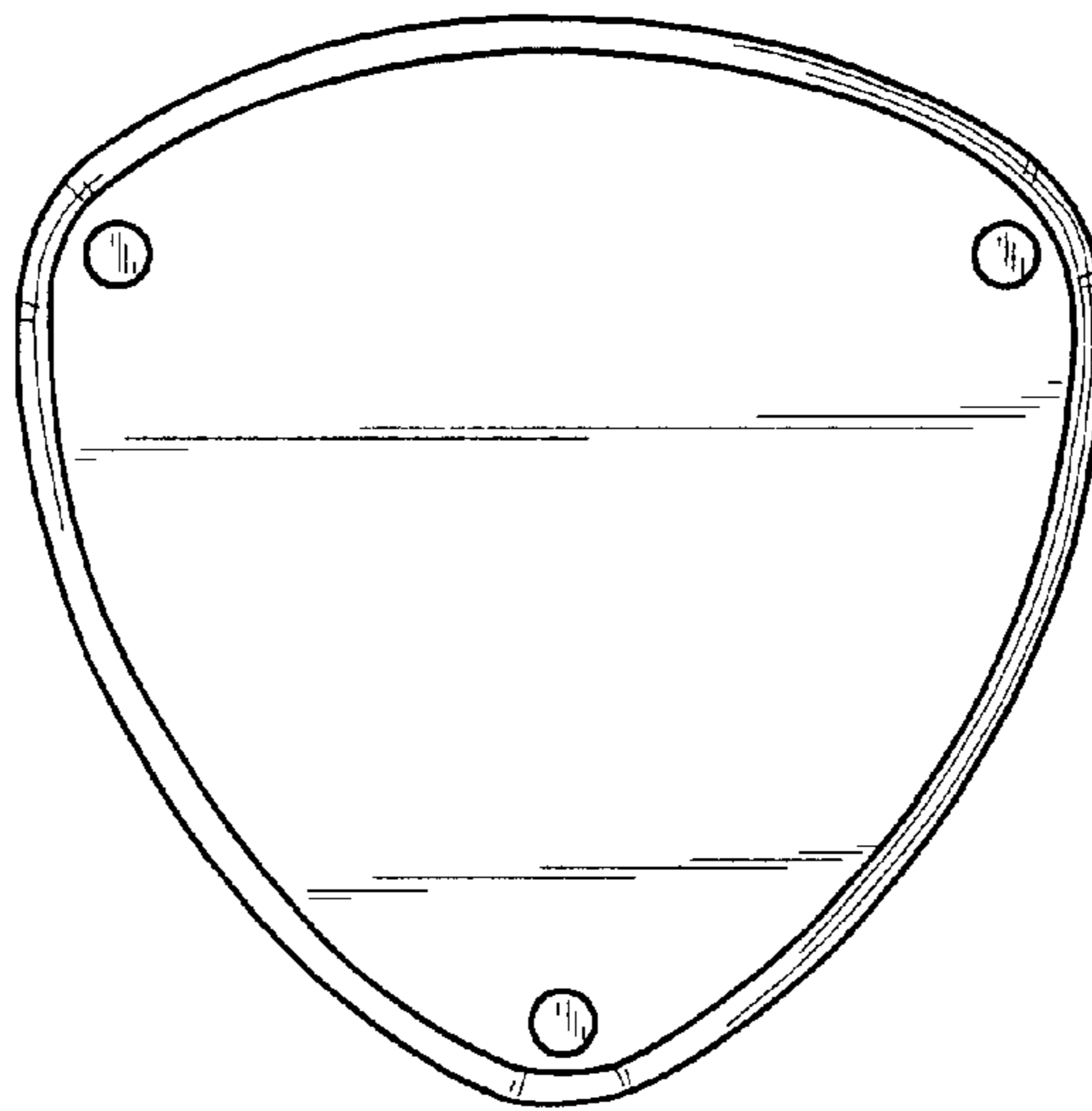




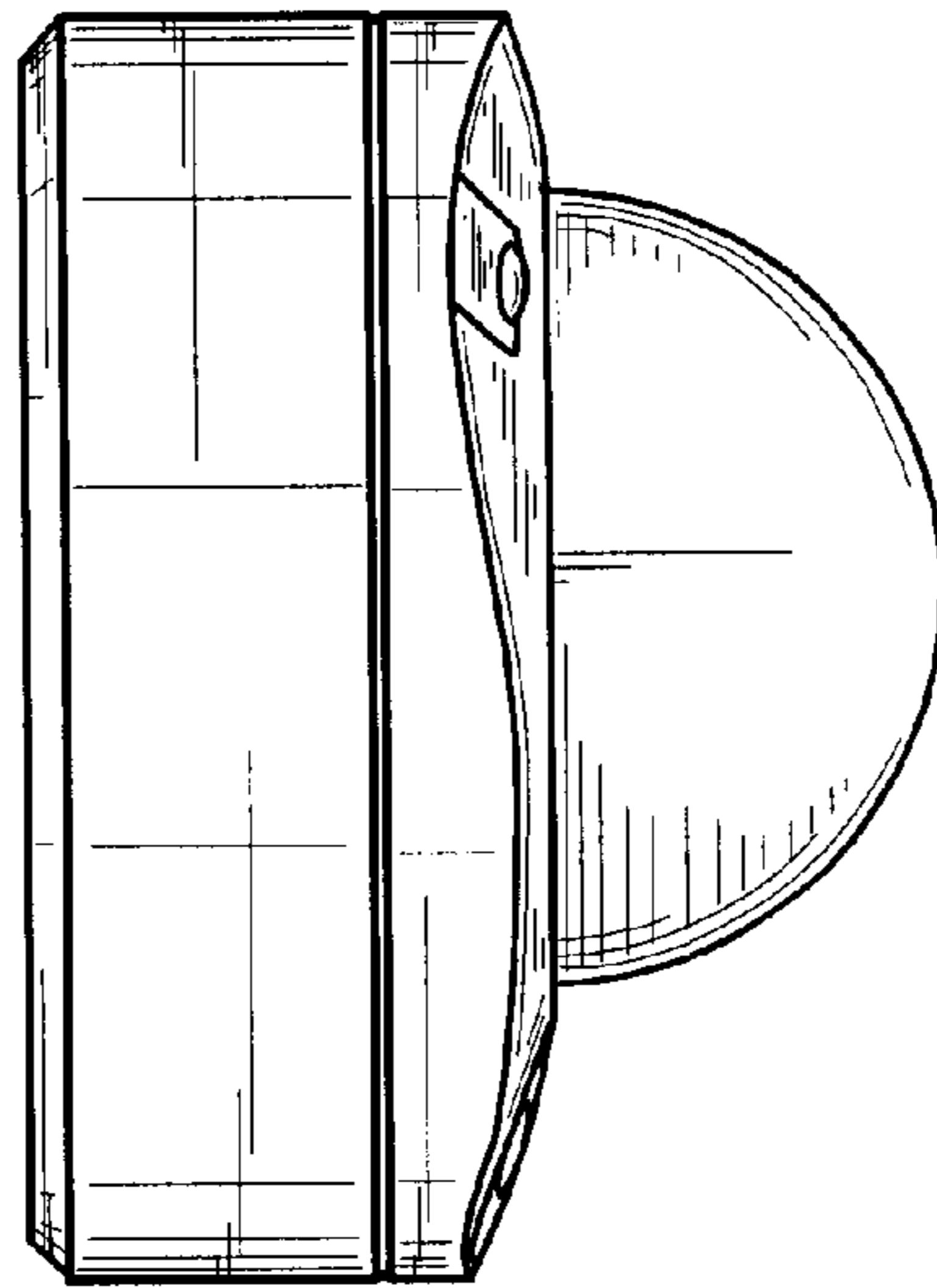
**Fig 1**



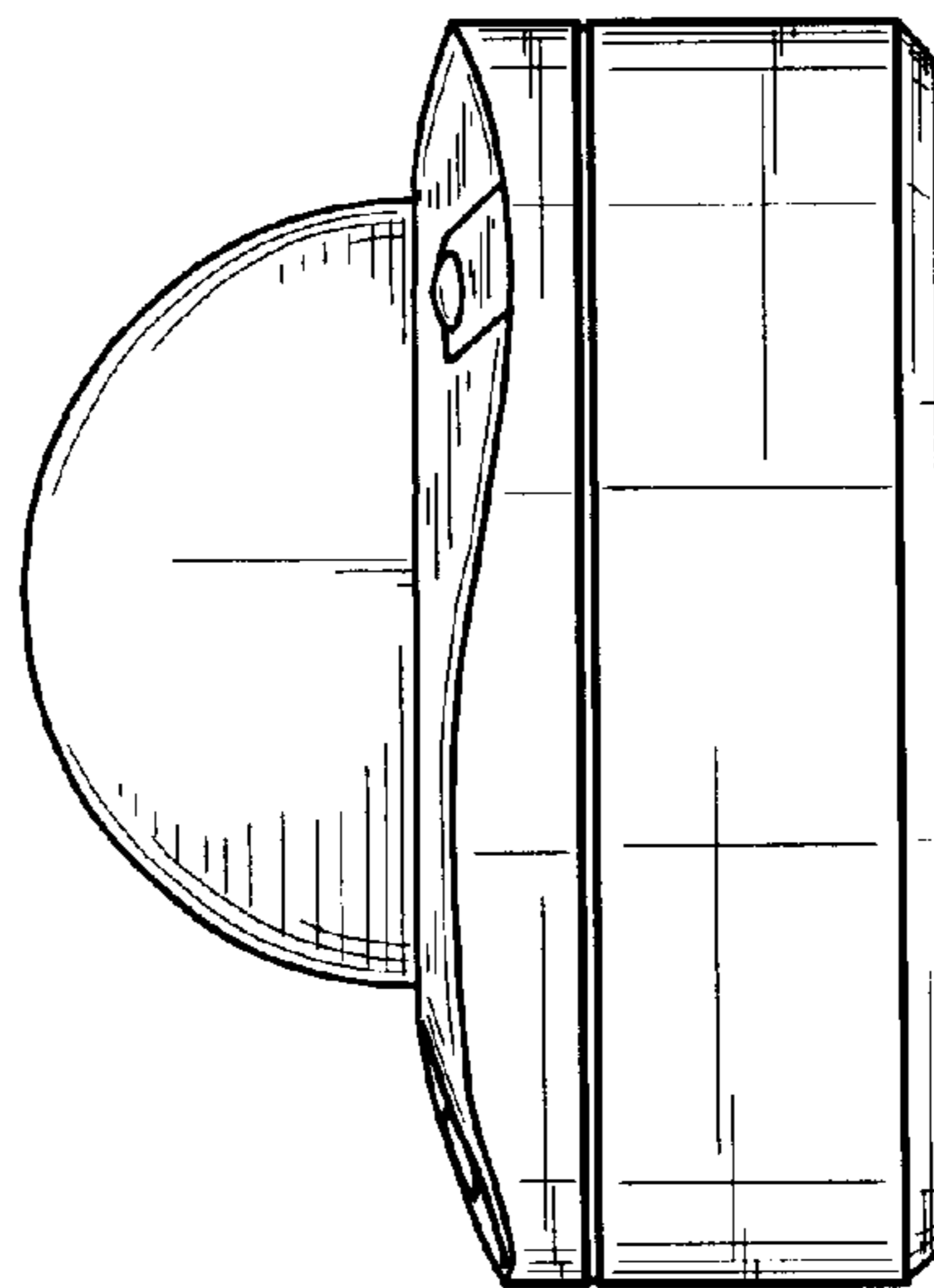
**Fig. 2**



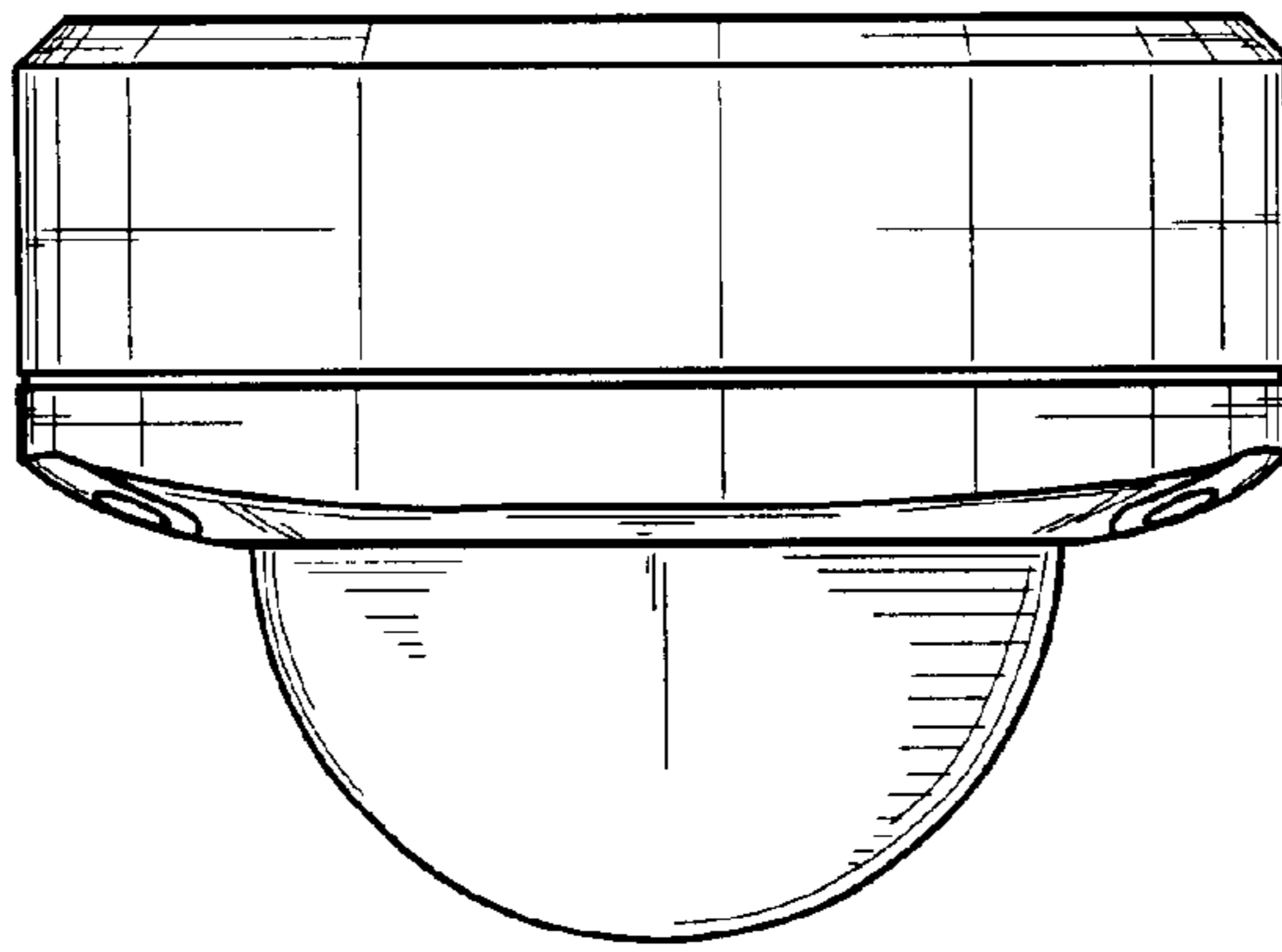
**Fig. 3**



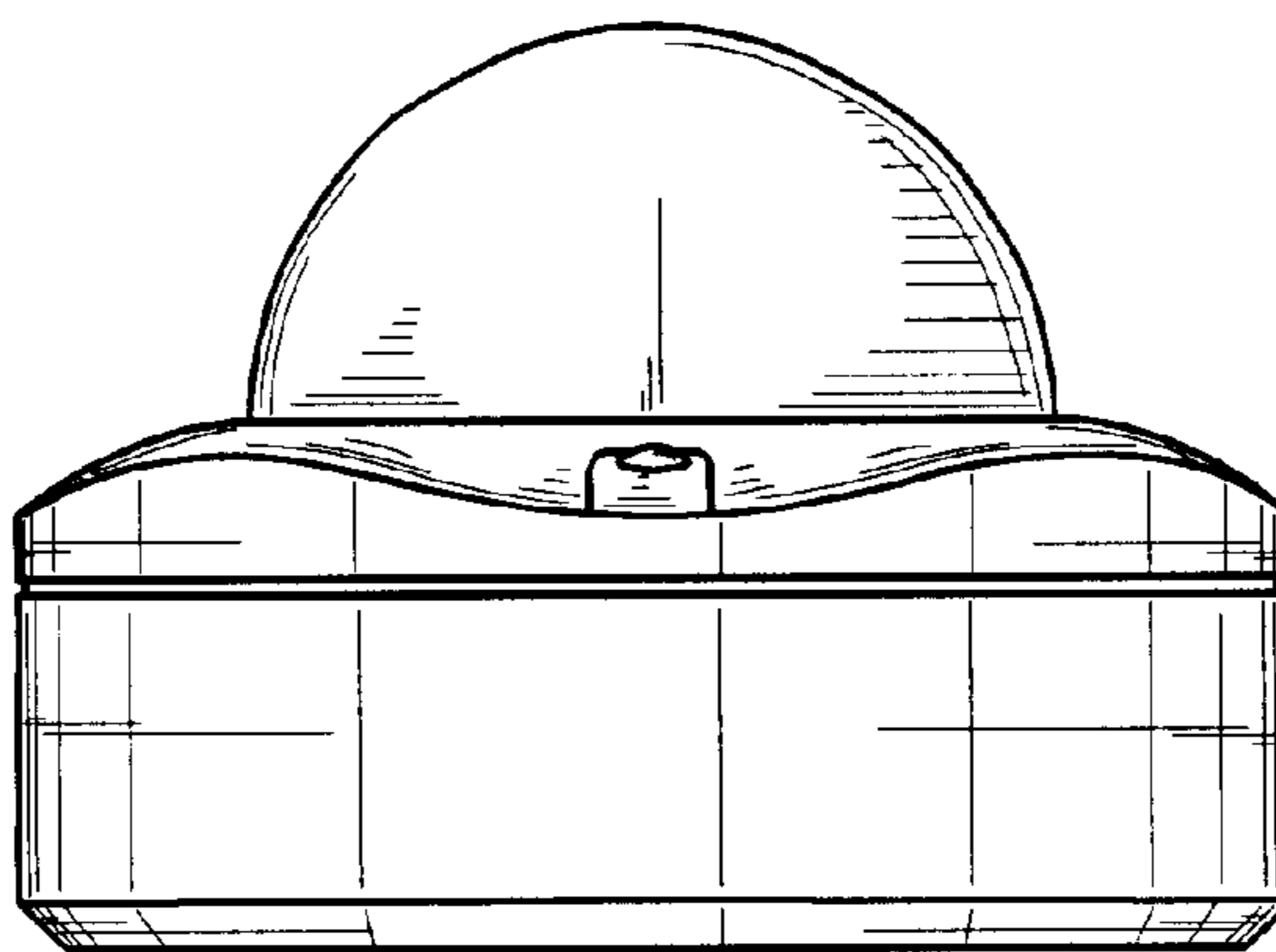
**Fig. 4**



**Fig. 5**



**Fig. 6**



**Fig. 7**