



US00D450074B1

(12) **United States Design Patent**
Miyashita

(10) **Patent No.:** **US D450,074 S**

(45) **Date of Patent:** **** Nov. 6, 2001**

(54) **ELECTRONIC STILL CAMERA**

(75) **Inventor:** **Shin Miyashita, Tokyo (JP)**

(73) **Assignee:** **Sony Corporation, Tokyo (JP)**

(**) **Term:** **14 Years**

(21) **Appl. No.:** **29/139,376**

(22) **Filed:** **Mar. 30, 2001**

(51) **LOC (7) Cl.** **16-01**

(52) **U.S. Cl.** **D16/202**

(58) **Field of Search** **D16/200-206,**
D16/208, 209, 217, 218; 348/373-376;
358/906, 909.1; 396/535-541

(56) **References Cited**

U.S. PATENT DOCUMENTS

D. 406,599	*	3/1999	Swayze et al.	D16/202
D. 430,187	*	8/2000	Naito	D16/218
D. 433,693		11/2000	Kobayashi	D16/202
D. 435,572		12/2000	Maeyama	D16/202

D. 442,203	*	5/2001	Suzuki et al.	D16/202
D. 442,614	*	5/2001	Sumita	D16/202
D. 445,438	*	7/2001	Kubota	D16/202

* cited by examiner

Primary Examiner—Adir Aronovich

(74) *Attorney, Agent, or Firm*—Rader, Fishman & Grauer, PLLC

(57) **CLAIM**

The ornamental design for an electronic still camera, as shown and described.

DESCRIPTION

FIG. 1 is a perspective view of an electronic still camera showing my new design;
FIG. 2 is a front elevational view thereof;
FIG. 3 is a rear elevational view thereof;
FIG. 4 is a left side elevational view thereof;
FIG. 5 is a right side elevational view thereof;
FIG. 6 is a top plan view thereof; and,
FIG. 7 is a bottom plan view thereof.

1 Claim, 4 Drawing Sheets

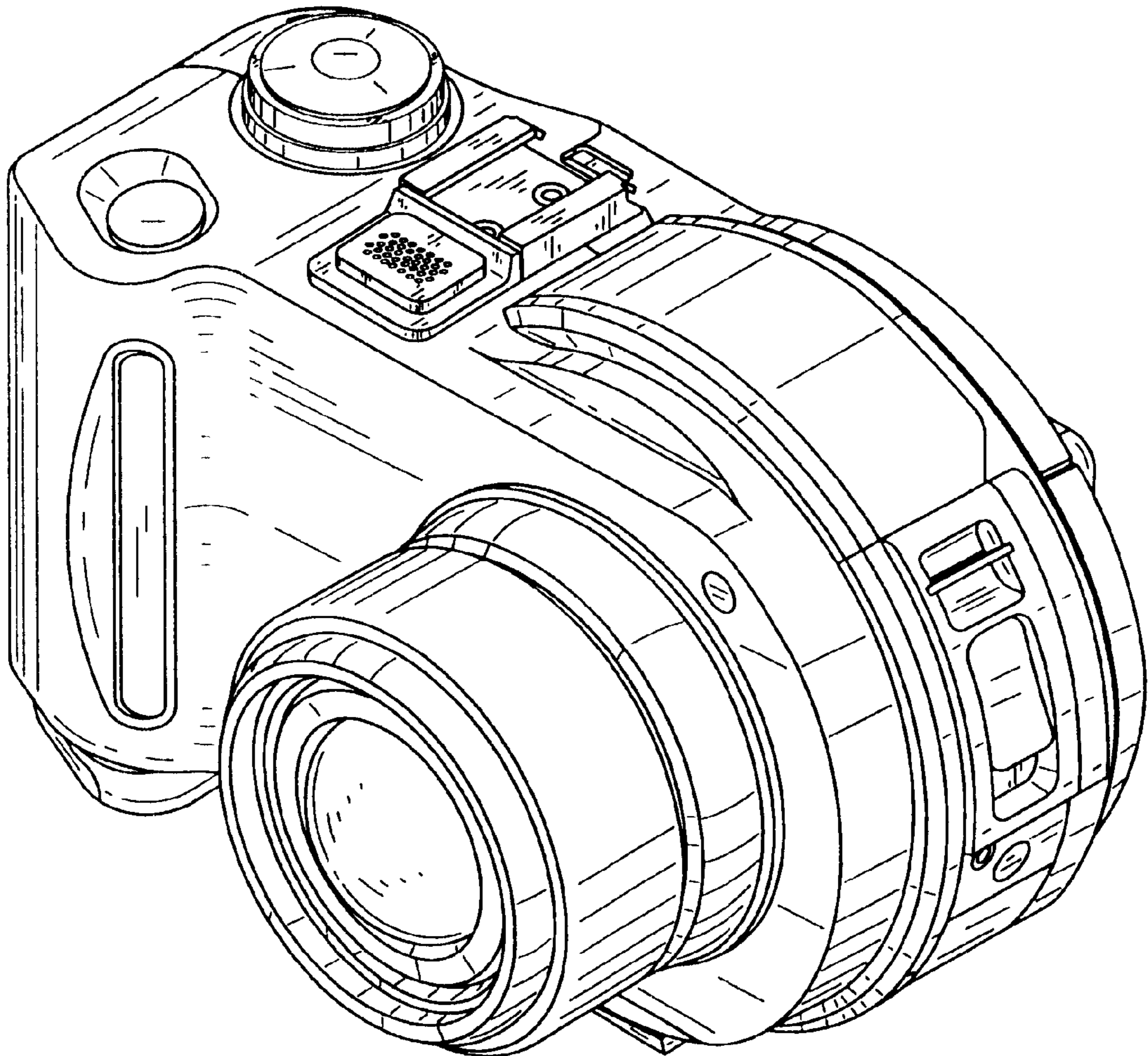


FIG. 1

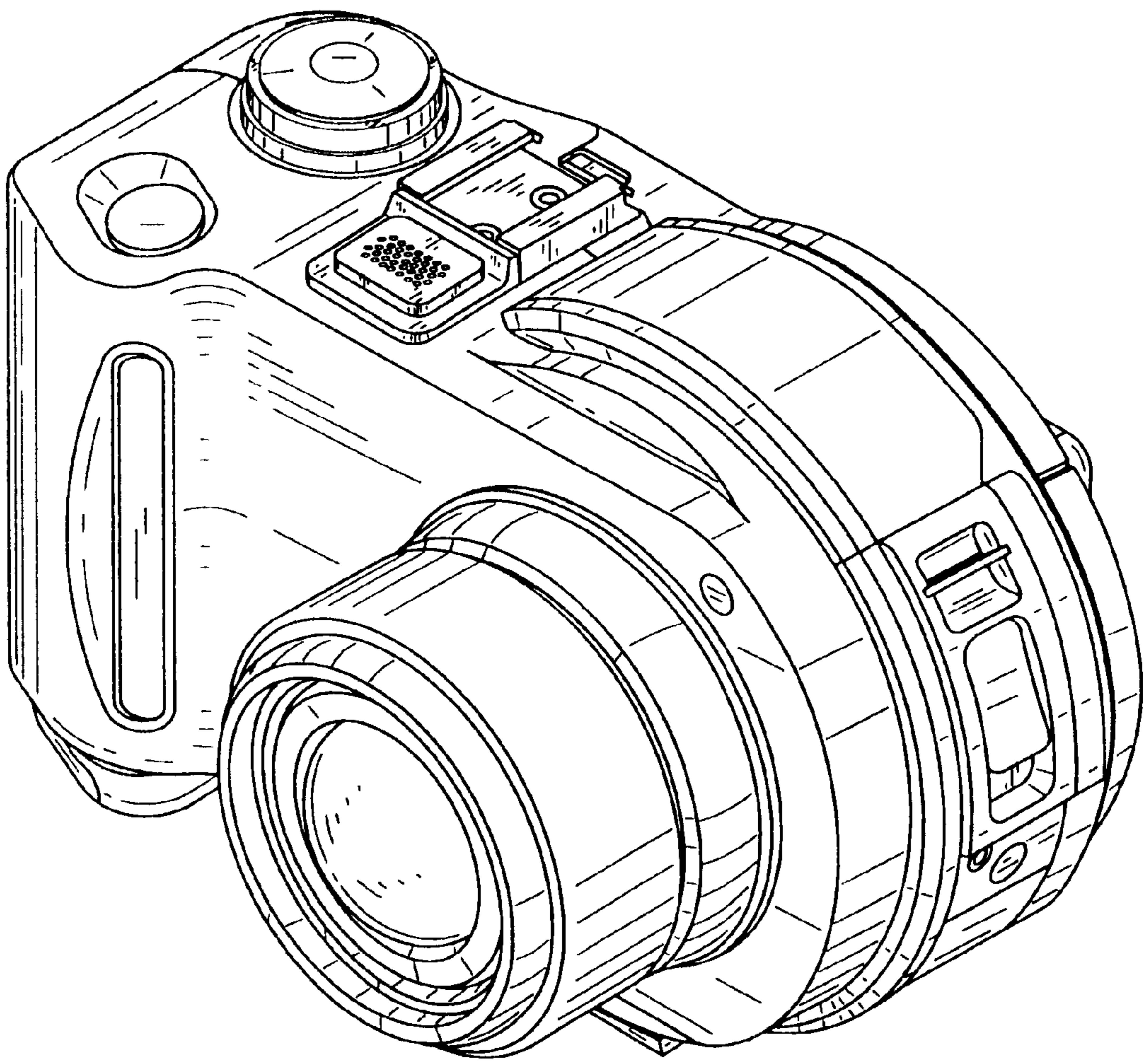


FIG. 2

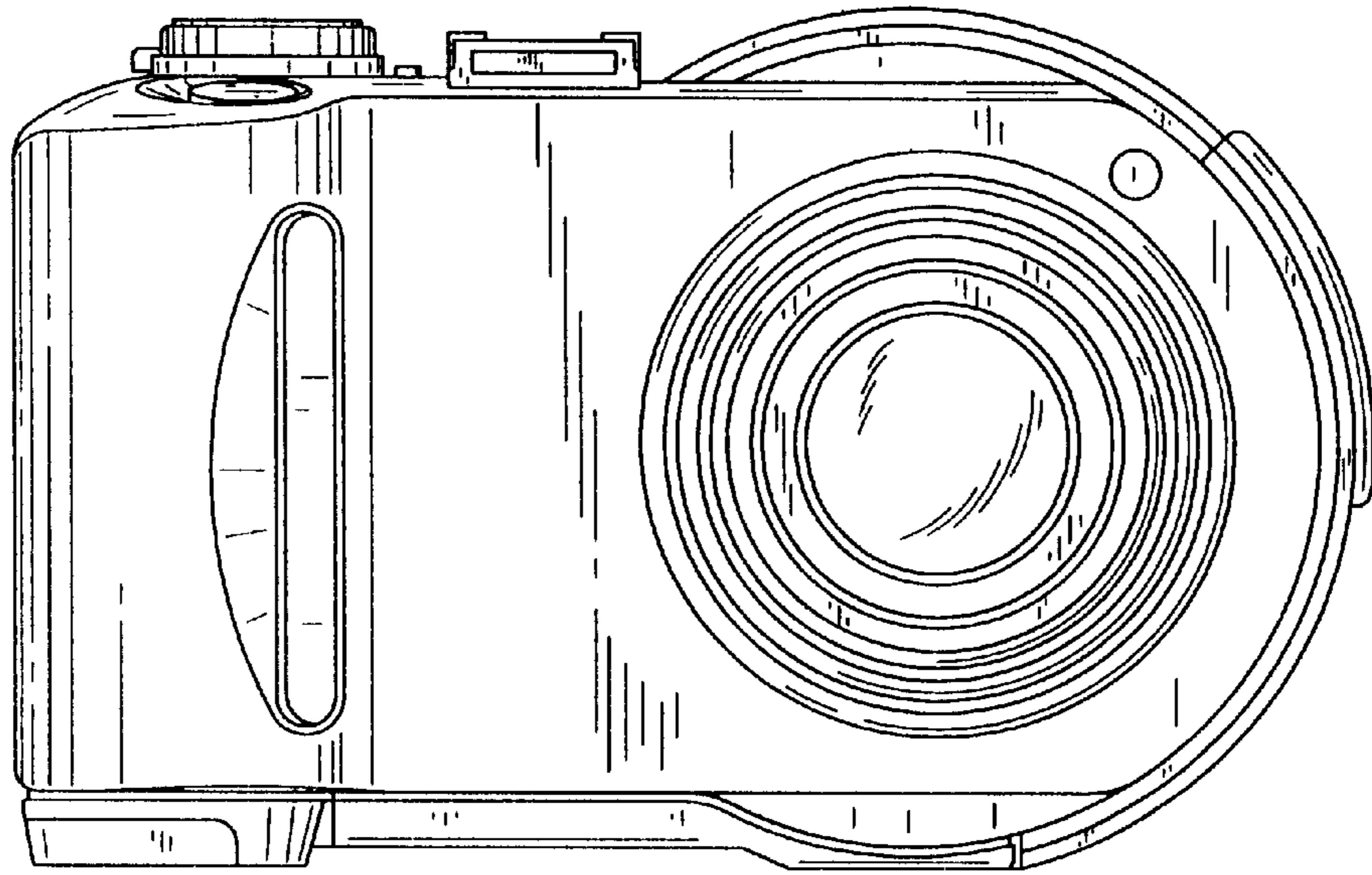


FIG. 3

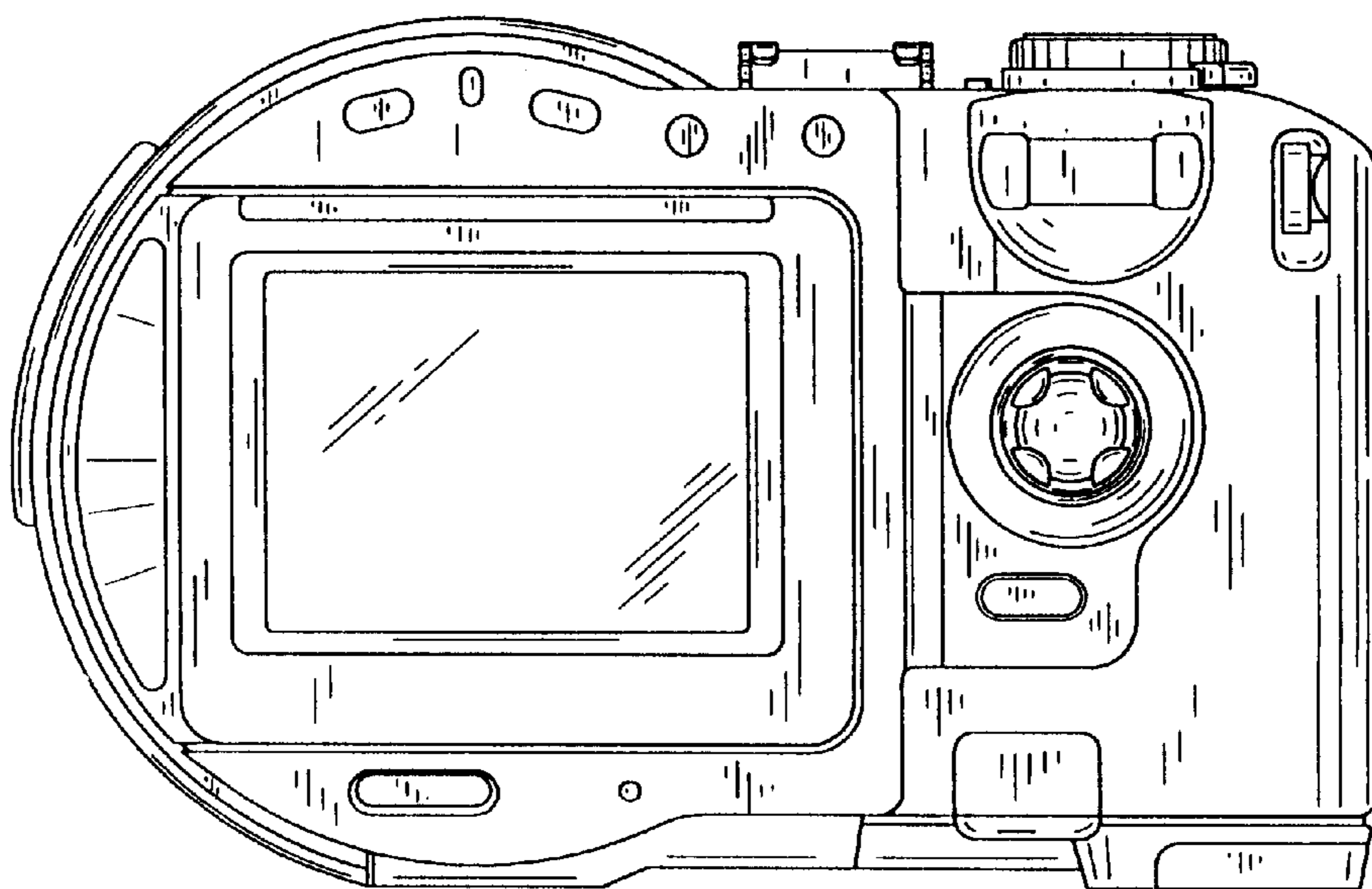


FIG. 4

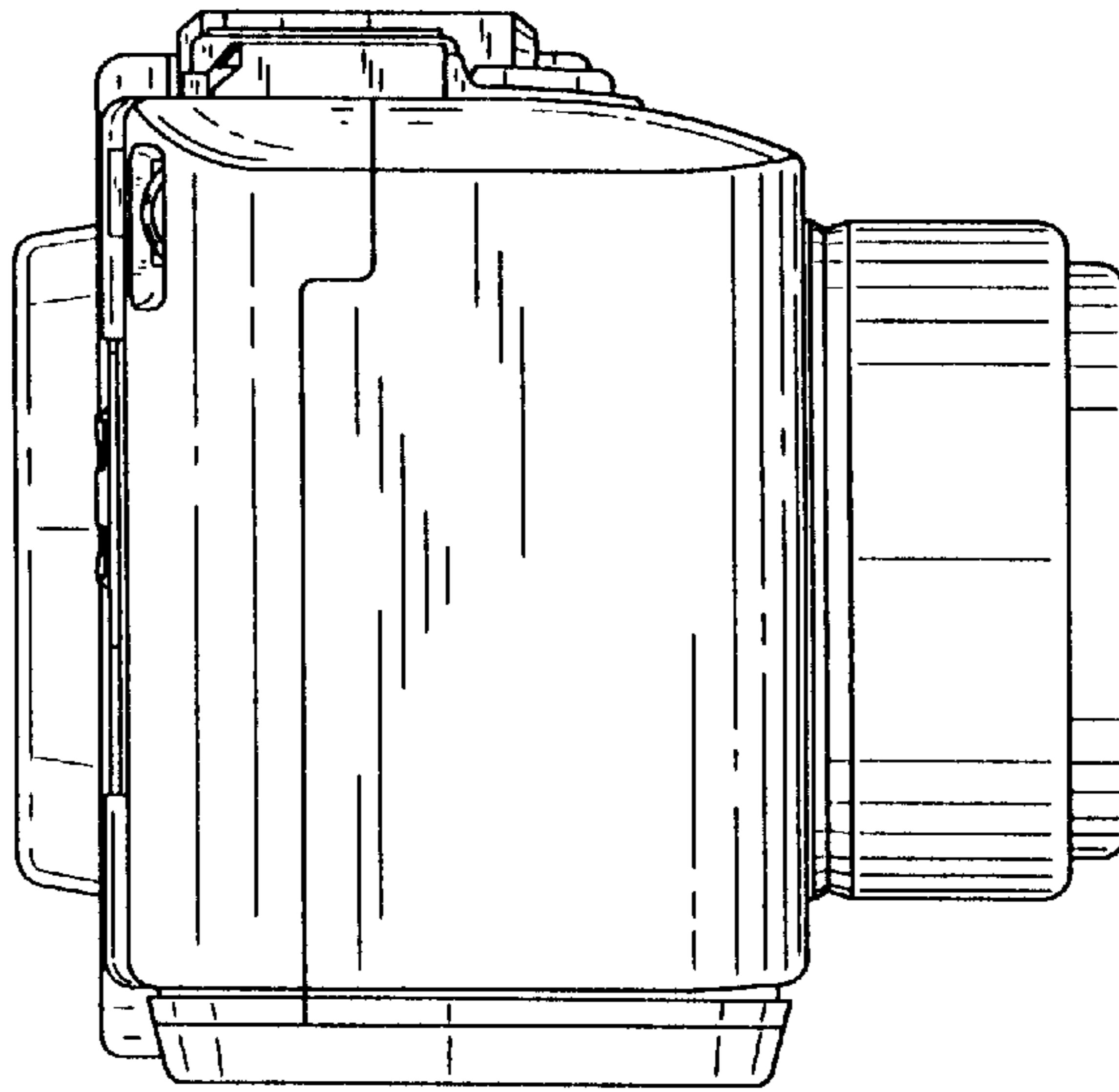


FIG. 5

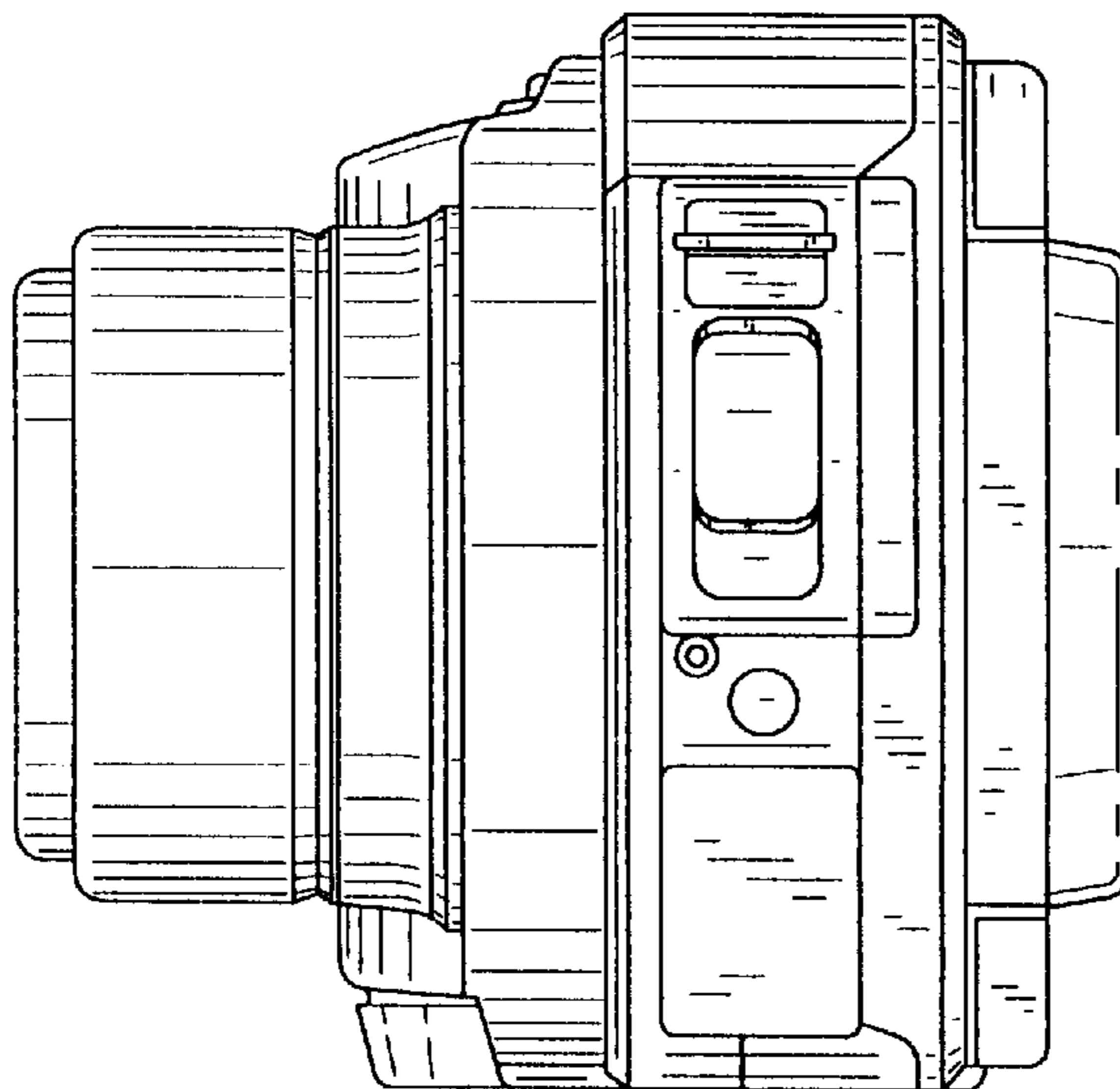


FIG. 6

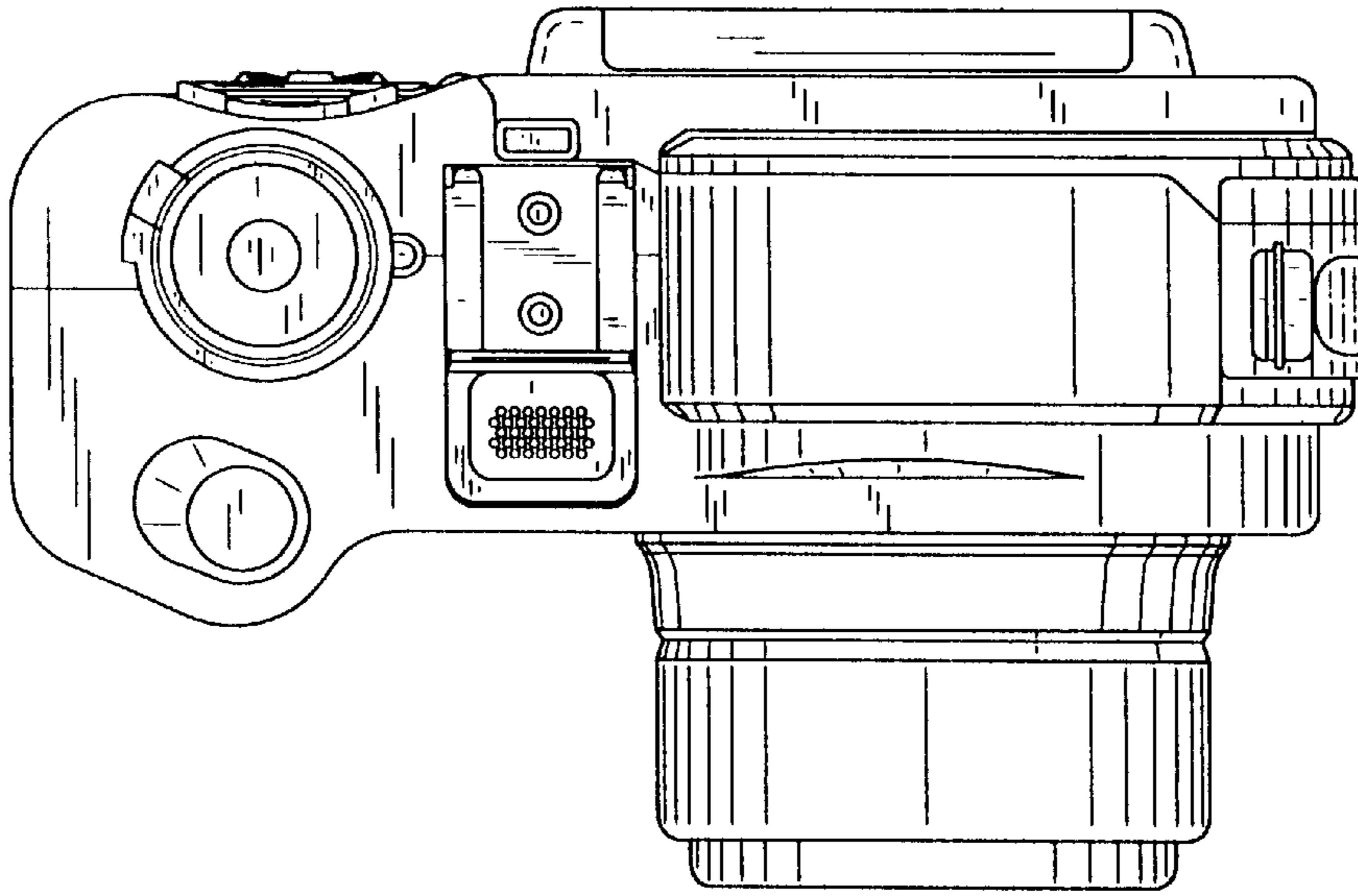


FIG. 7

