



US00D450073B1

(12) **United States Design Patent**  
**Sumita**

(10) **Patent No.:** **US D450,073 S**

(45) **Date of Patent:** **\*\* Nov. 6, 2001**

(54) **ELECTRONIC STILL CAMERA WITH MONITOR**

(75) Inventor: **Kaoru Sumita**, Tokyo (JP)

(73) Assignee: **Sony Corporation**, Tokyo (JP)

(\*\*) Term: **14 Years**

(21) Appl. No.: **29/127,858**

(22) Filed: **Aug. 15, 2000**

(51) **LOC (7) Cl.** ..... **16-01**

(52) **U.S. Cl.** ..... **D16/202**

(58) **Field of Search** ..... D16/200-206,  
D16/208, 209, 217, 218; 348/373-376;  
358/906, 909.1; 396/535-541

(56) **References Cited**

**U.S. PATENT DOCUMENTS**

D. 391,590	3/1998	Sumita	.....	D16/202
D. 416,270	11/1999	Harata	.....	D16/202
D. 425,091	* 5/2000	Konno et al.	.....	D16/202
D. 426,842	* 6/2000	Suzuki et al.	.....	D16/202
D. 430,186	* 8/2000	Suzuki et al.	.....	D16/218
D. 433,045	* 10/2000	Yamano et al.	.....	D16/202

**OTHER PUBLICATIONS**

Better Homes and Gardens, Feb. 2000 (Epson Photo PC 700).\*

Catalog "94, CCD-CR1, DSC-S70, DSC-S50, DSC-S30", pp. 11, 214 & 215, Sony, Mar. 2000.

\* cited by examiner

*Primary Examiner*—Adir Aronovich

(74) *Attorney, Agent, or Firm*—Rader, Fishman & Grauer, PLLC

(57) **CLAIM**

The ornamental design for an electronic still camera with monitor, as shown and described.

**DESCRIPTION**

FIG. 1 is a perspective view of an electronic still camera with a monitor showing my new design;

FIG. 2 is a top plan view thereof;

FIG. 3 is a bottom plan view thereof;

FIG. 4 is a left side elevational view thereof;

FIG. 5 is a right side elevational view thereof;

FIG. 6 is a front elevational view thereof; and,

FIG. 7 is a rear elevational view thereof.

**1 Claim, 4 Drawing Sheets**

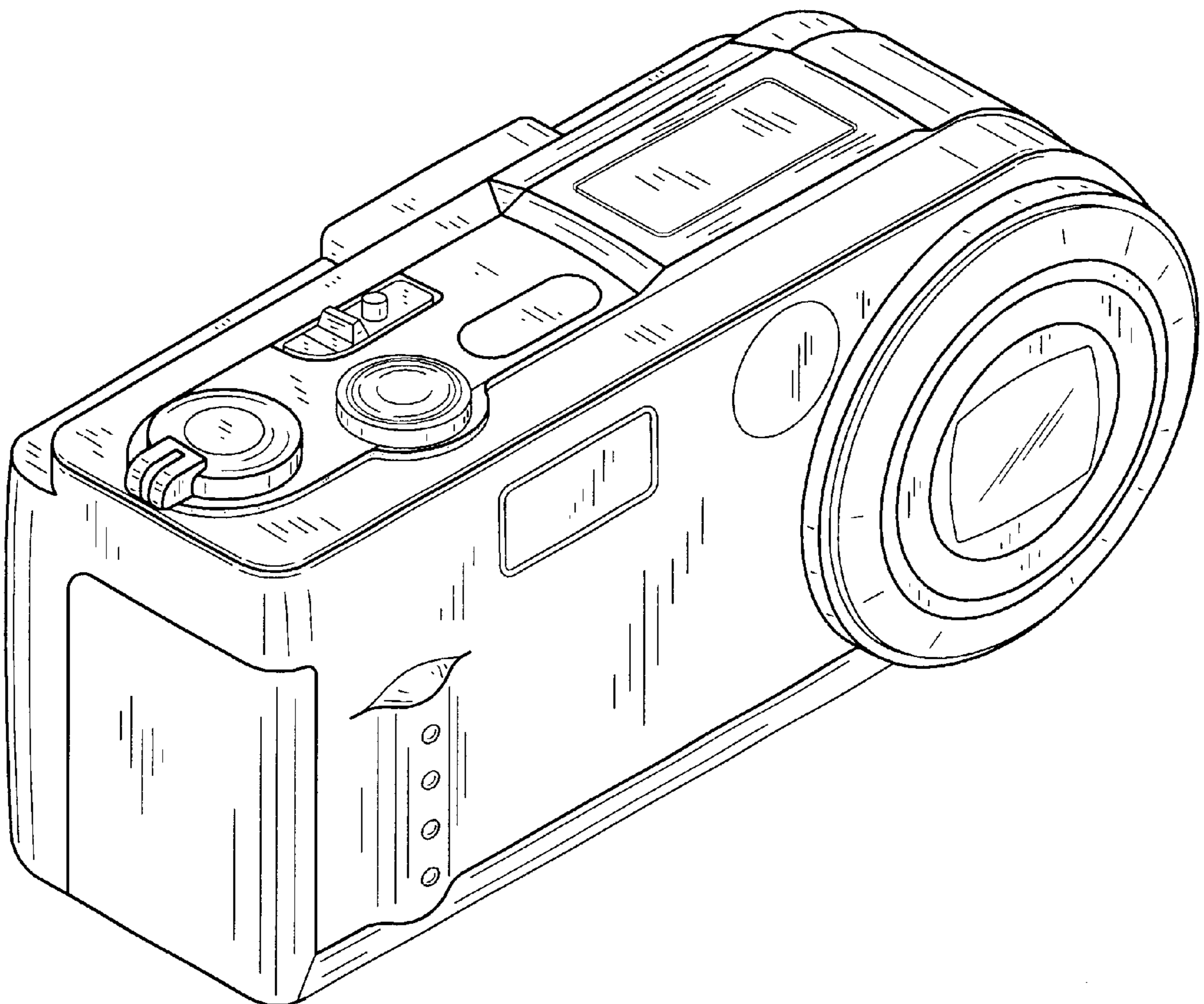


FIG. 1

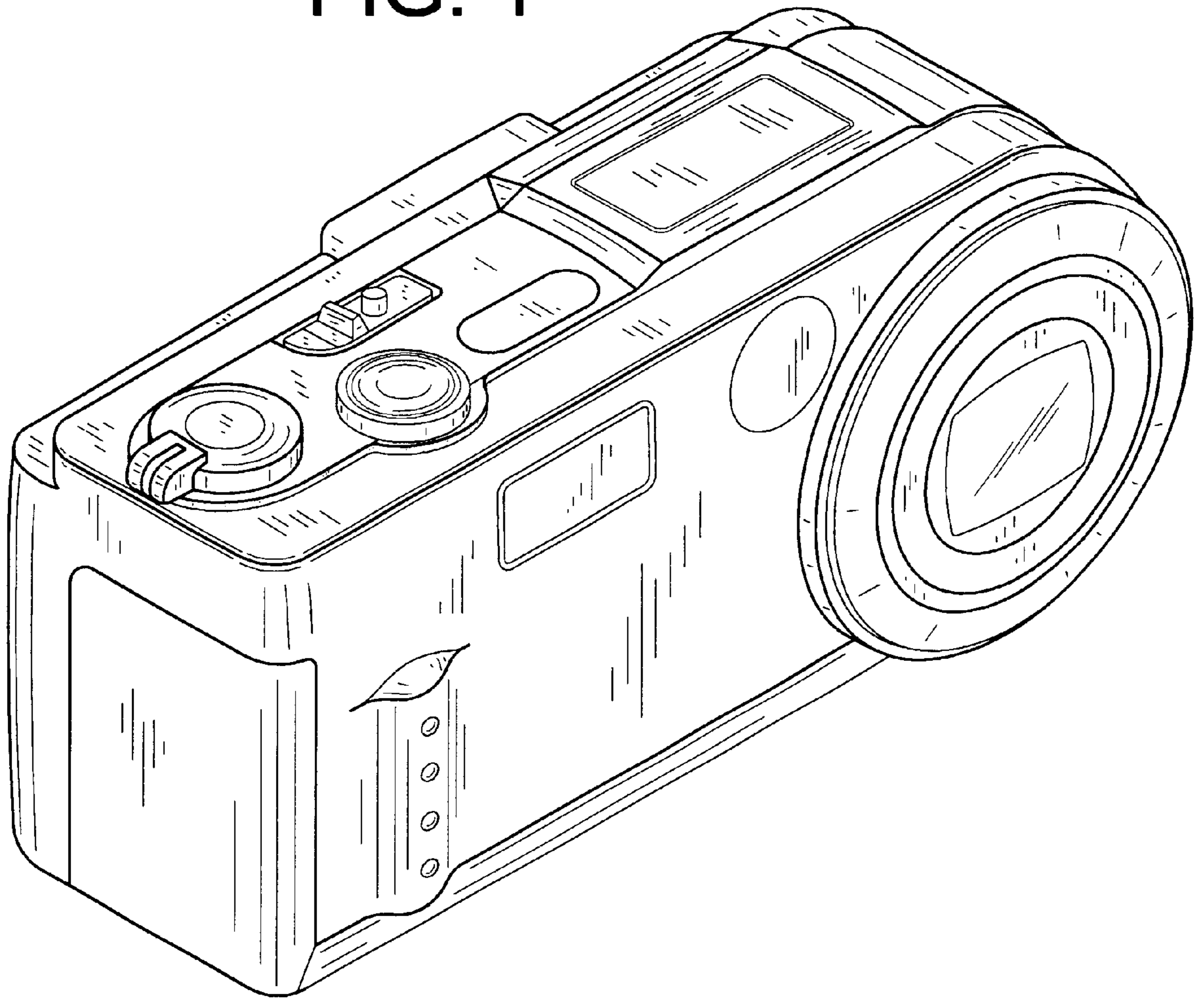


FIG. 2

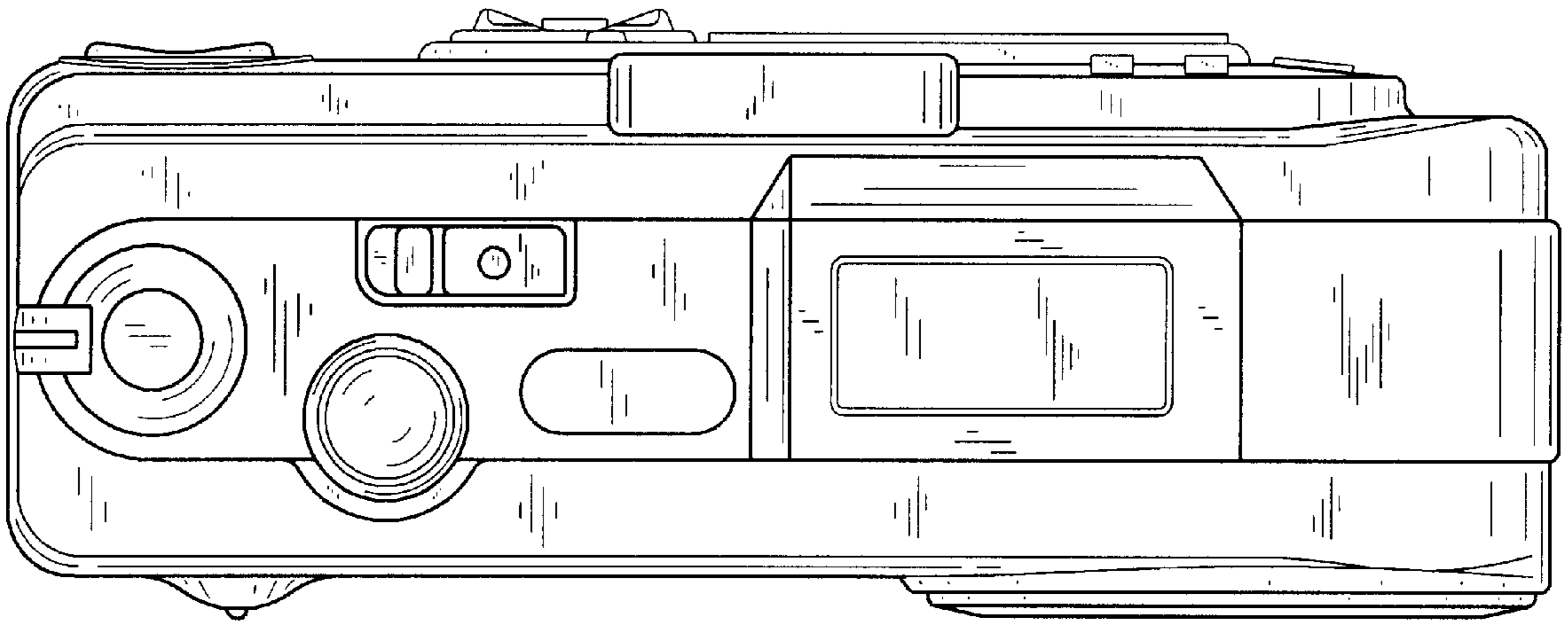


FIG. 3

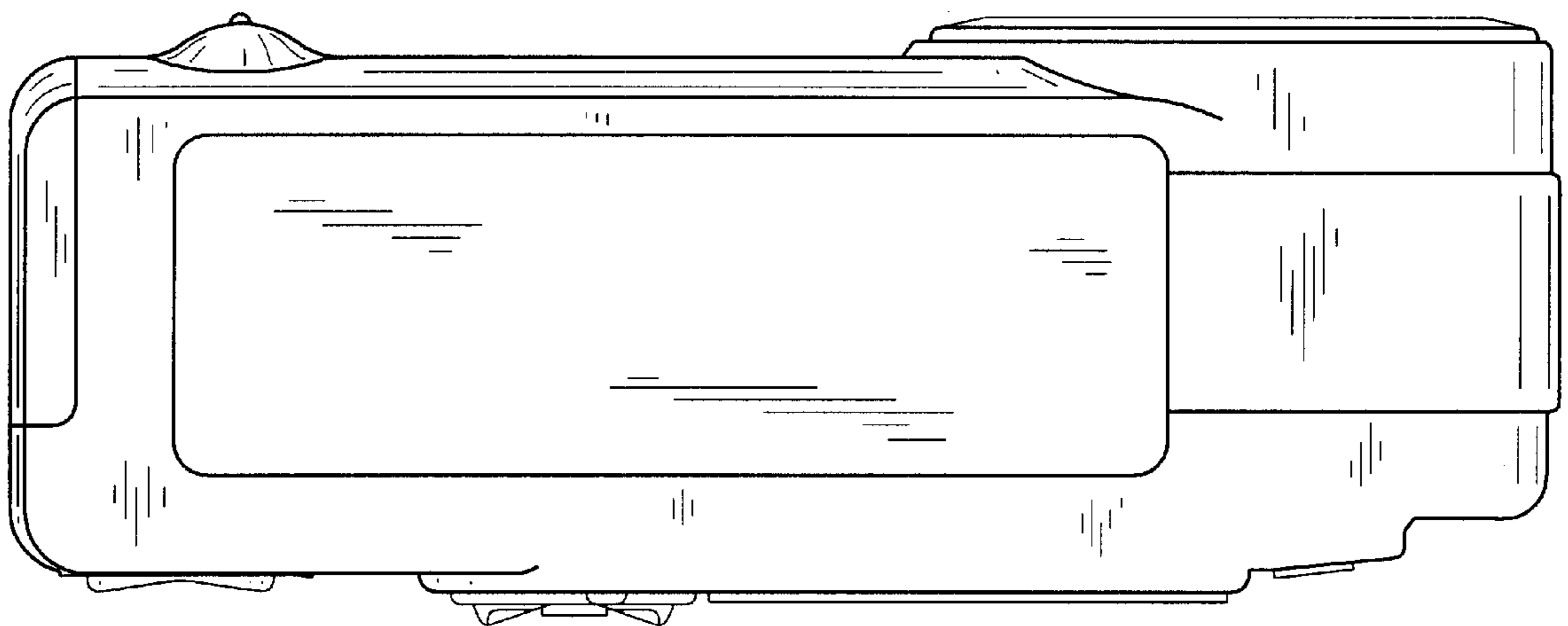


FIG. 4



FIG. 5

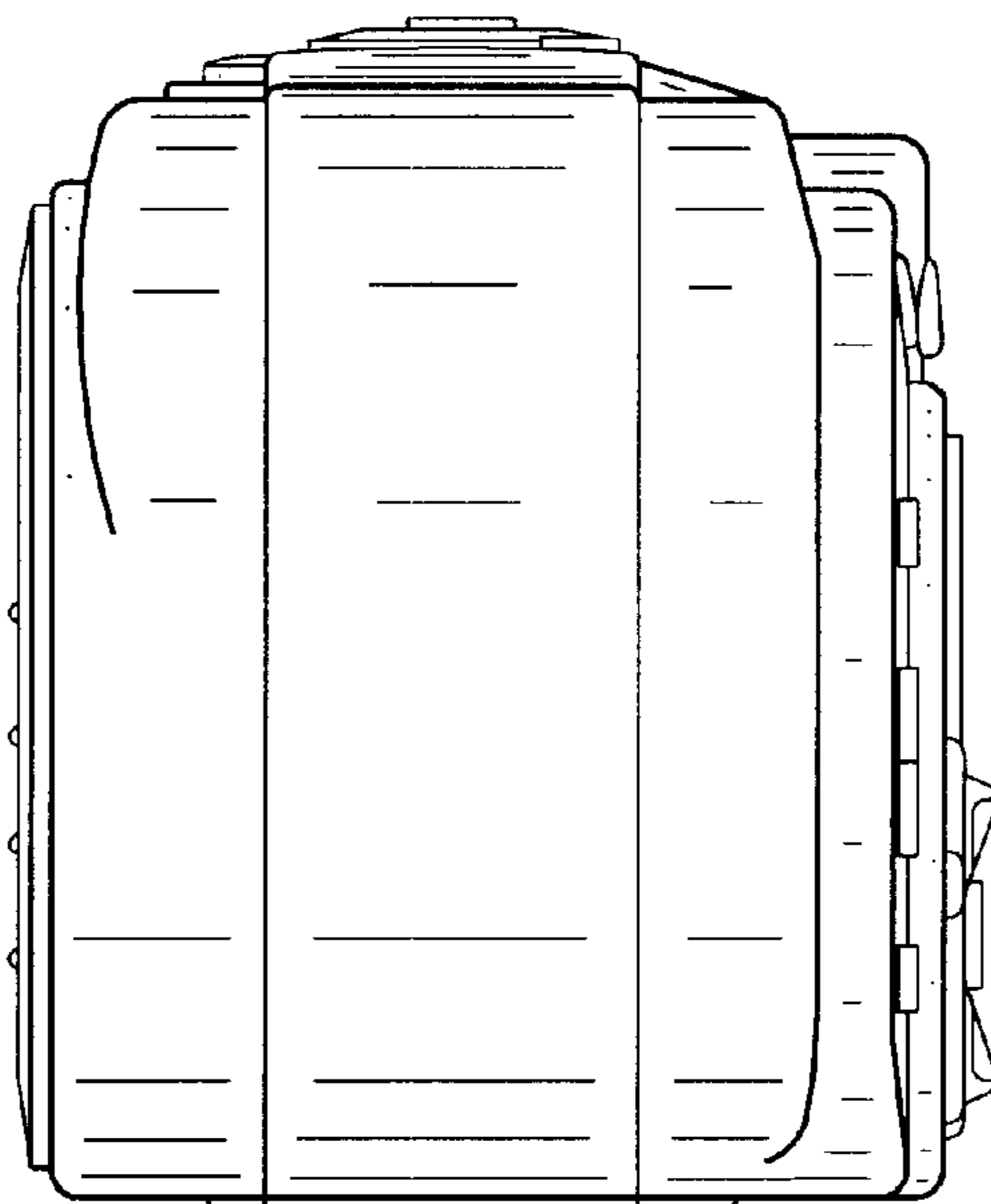




FIG. 6

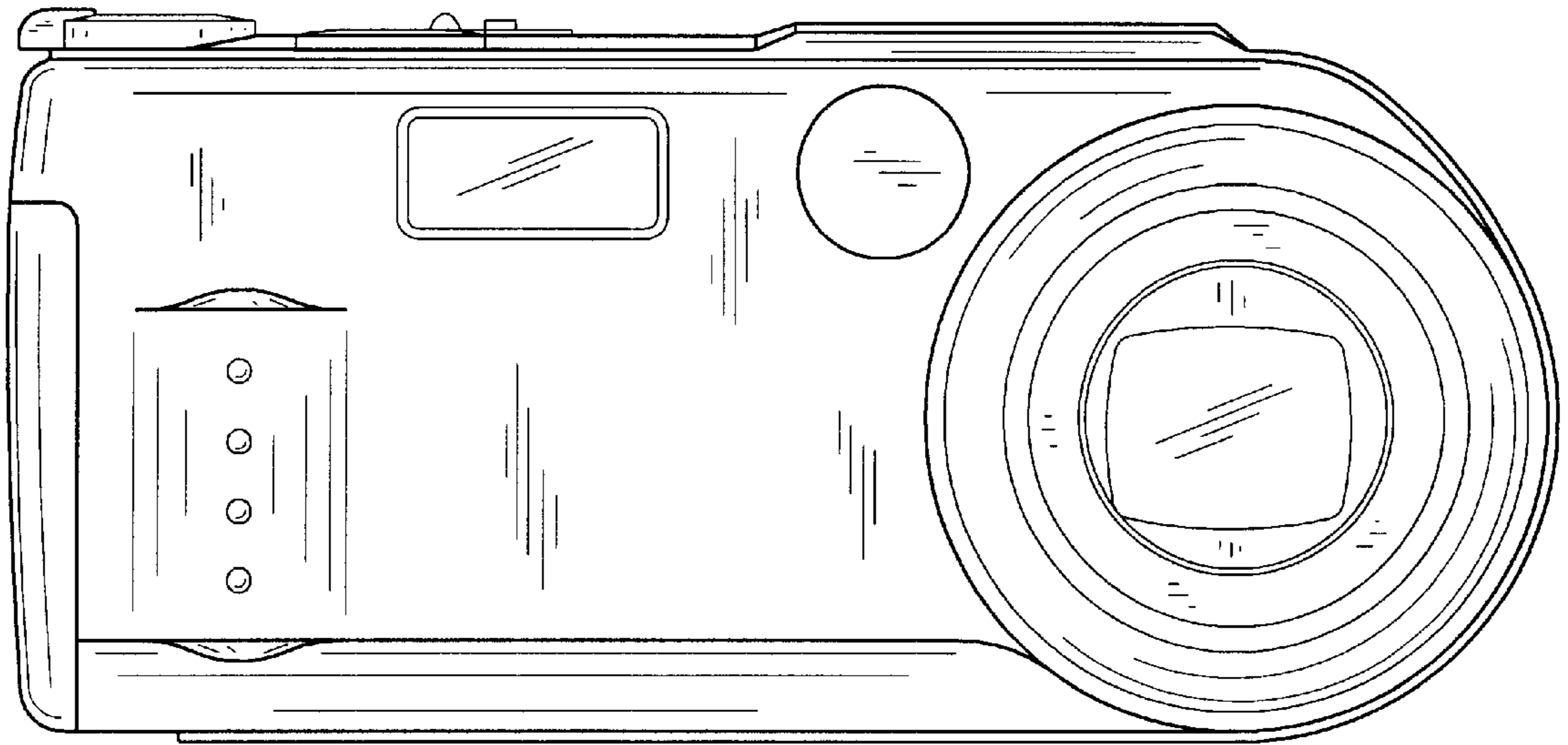


FIG. 7

