



US00D450071B1

(12) **United States Design Patent**
Funato

(10) **Patent No.:** **US D450,071 S**

(45) **Date of Patent:** **** Nov. 6, 2001**

(54) **ELECTRONIC STILL CAMERA**

(75) Inventor: **Kenichi Funato**, Tokyo (JP)

(73) Assignee: **Fuji Photo Film Co., Ltd.**, Kanagawa (JP)

(**) Term: **14 Years**

(21) Appl. No.: **29/126,824**

(22) Filed: **Jul. 26, 2000**

(30) **Foreign Application Priority Data**

Jan. 28, 2000 (JP) 12-001241

(51) **LOC (7) Cl.** **16-01**

(52) **U.S. Cl.** **D16/202**

(58) **Field of Search** D16/200-206,
D16/208, 217, 218; 348/373-376; 358/906,
909.1; 396/535-541

(56) **References Cited**

U.S. PATENT DOCUMENTS

D. 248,237	*	6/1978	Fukuda	D16/209
D. 369,819	*	5/1996	Mori	D16/202
D. 376,379	*	12/1996	Eto et al.	D16/218
D. 408,044		4/1999	Tanaka et al.	D16/202
D. 418,151	*	12/1999	Sumita	D16/202
D. 422,291		4/2000	Senda	D16/202
D. 436,976		1/2001	Tanaka	D16/202
6,208,380	*	3/2001	Misawa	348/375

OTHER PUBLICATIONS

Fujifilm Imaging & Information Catalog, Apr., 1998 (Fine-Pix 700 camera).*

* cited by examiner

Primary Examiner—Adir Aronovich

(74) *Attorney, Agent, or Firm*—Young & Thompson

(57) **CLAIM**

The ornamental design for an electronic still camera, as shown and described.

DESCRIPTION

FIG. 1 is a top, front and side perspective view of an electronic still camera showing my new design;

FIG. 2 is a front elevational view thereof;

FIG. 3 is a rear elevational view thereof;

FIG. 4 is a top plan view thereof;

FIG. 5 is a bottom plan view thereof;

FIG. 6 is a side elevational view thereof from the right of FIG. 2;

FIG. 7 is a side elevational view thereof from the left of FIG. 2;

FIG. 8 is a view similar to FIG. 6, but with the parts in a different position; and,

FIG. 9 is a view similar to FIG. 2, but with the parts in a different position.

1 Claim, 5 Drawing Sheets

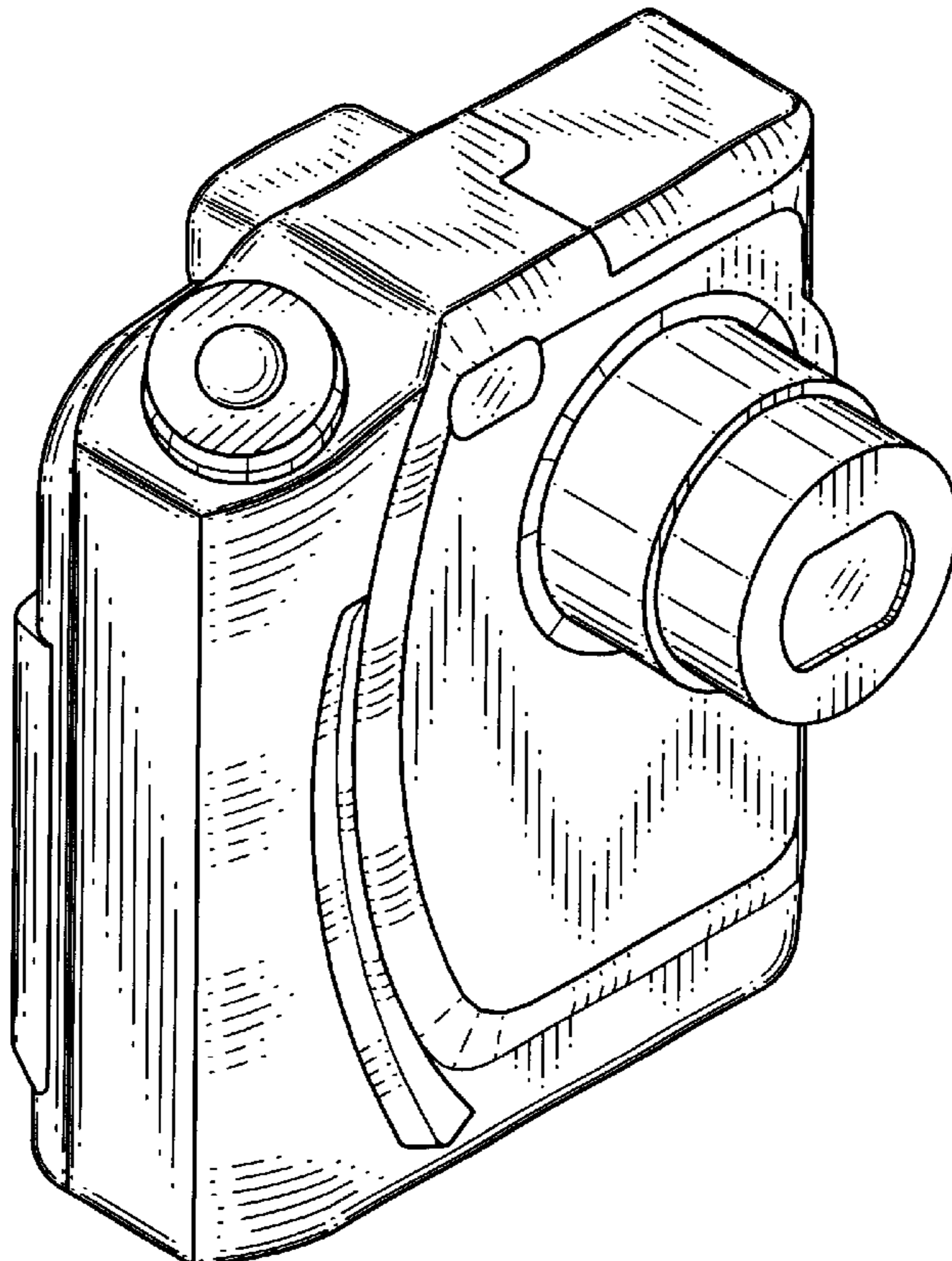


FIG. 1

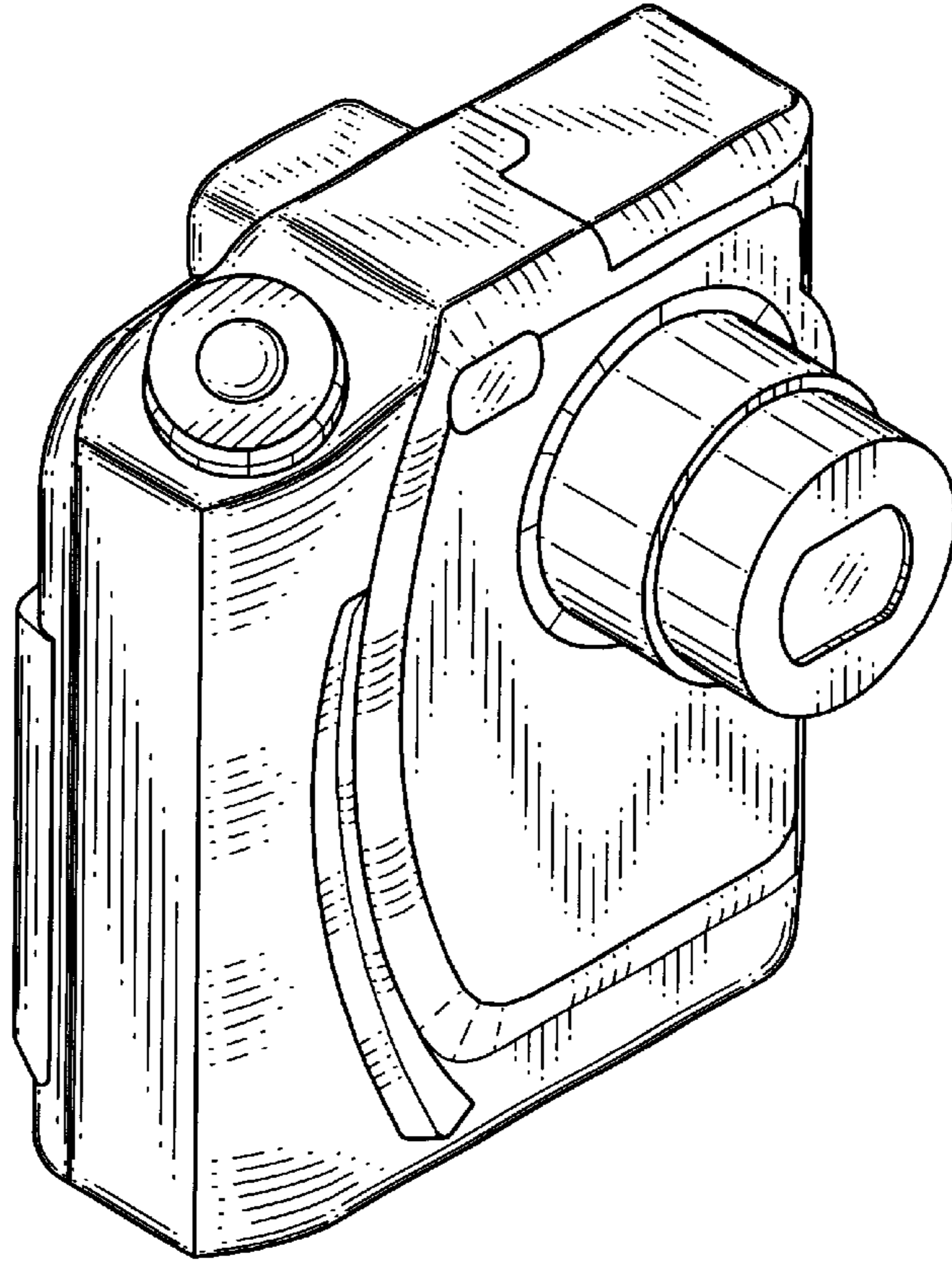


FIG. 2

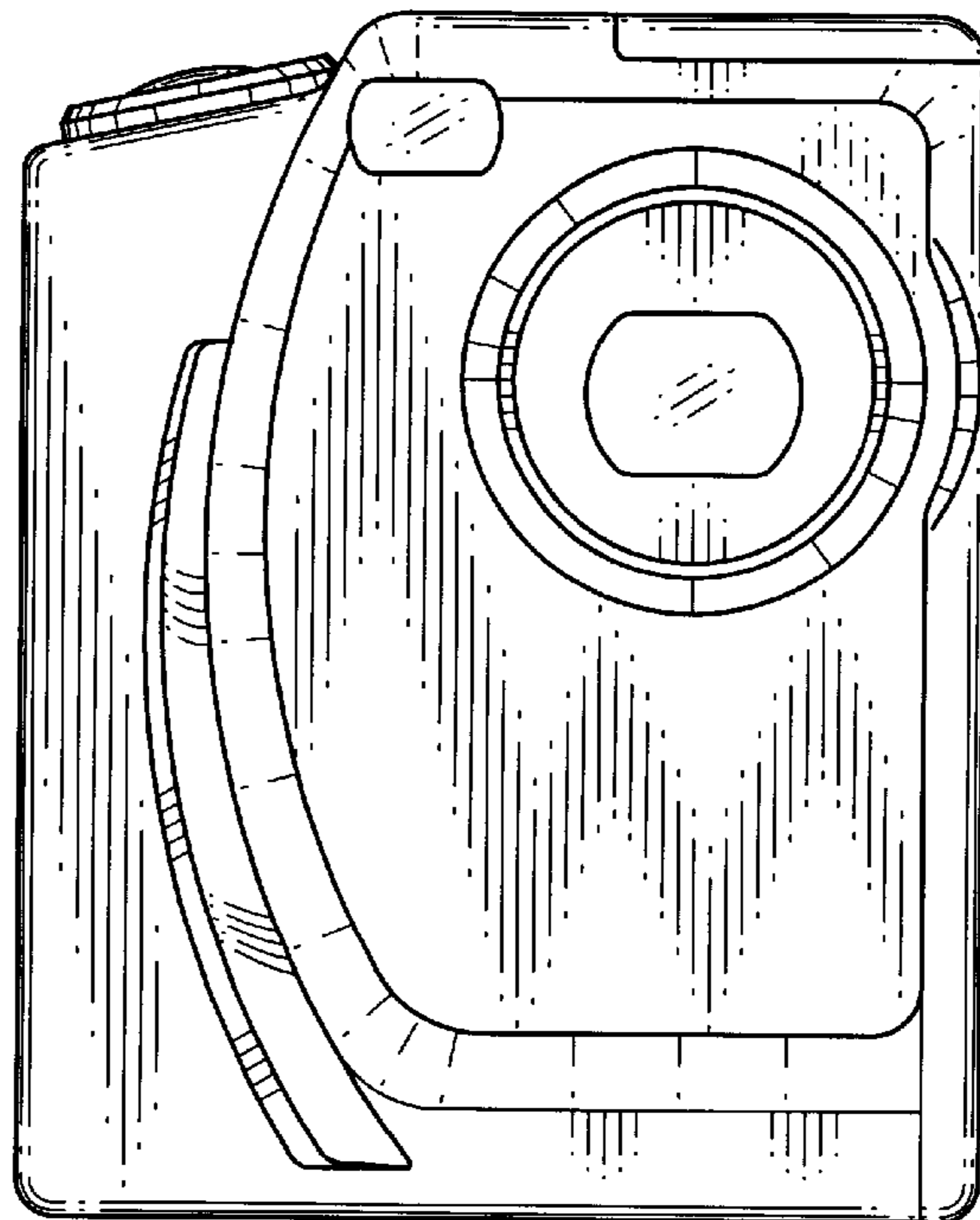


FIG. 3

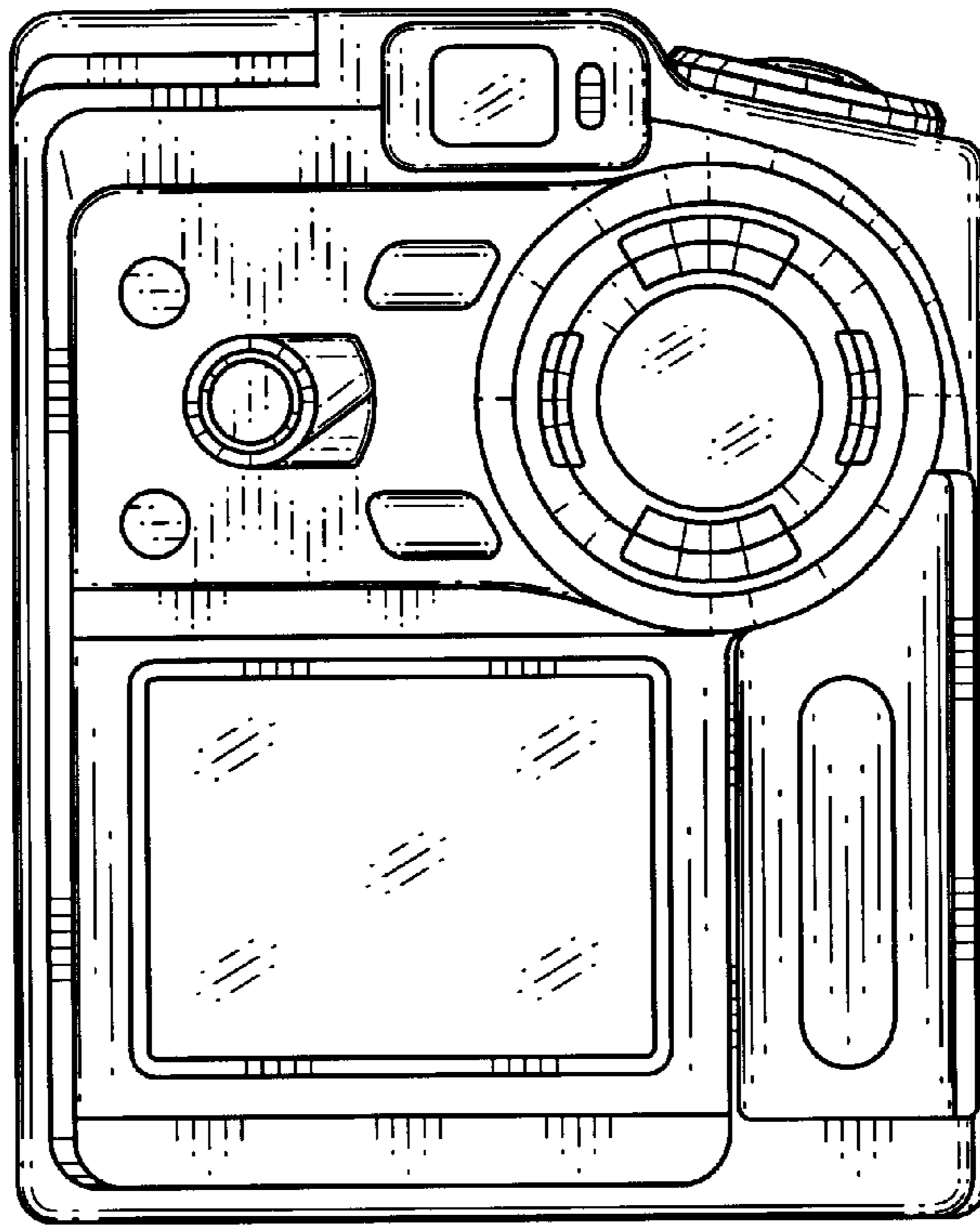


FIG. 4

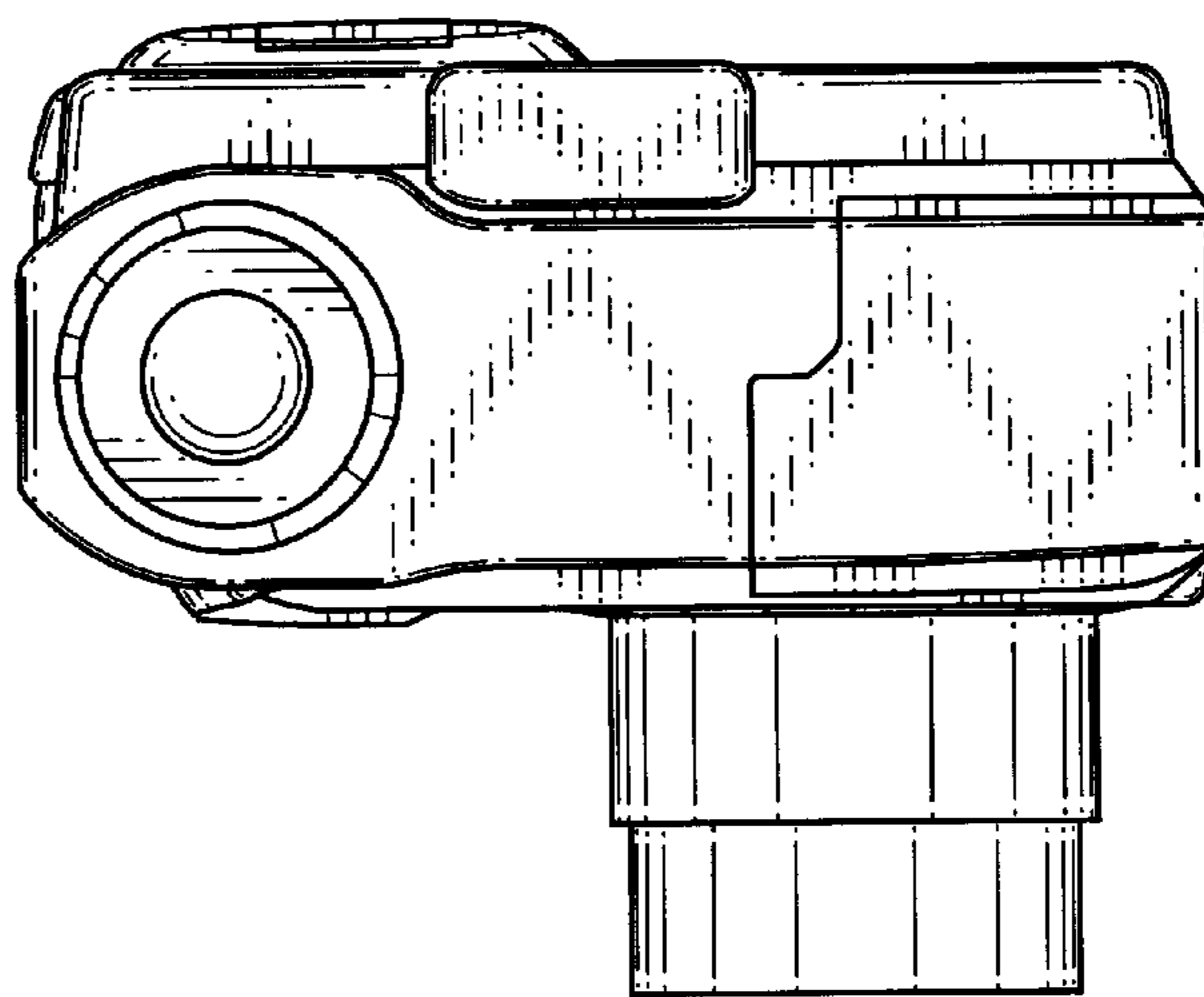


FIG. 5

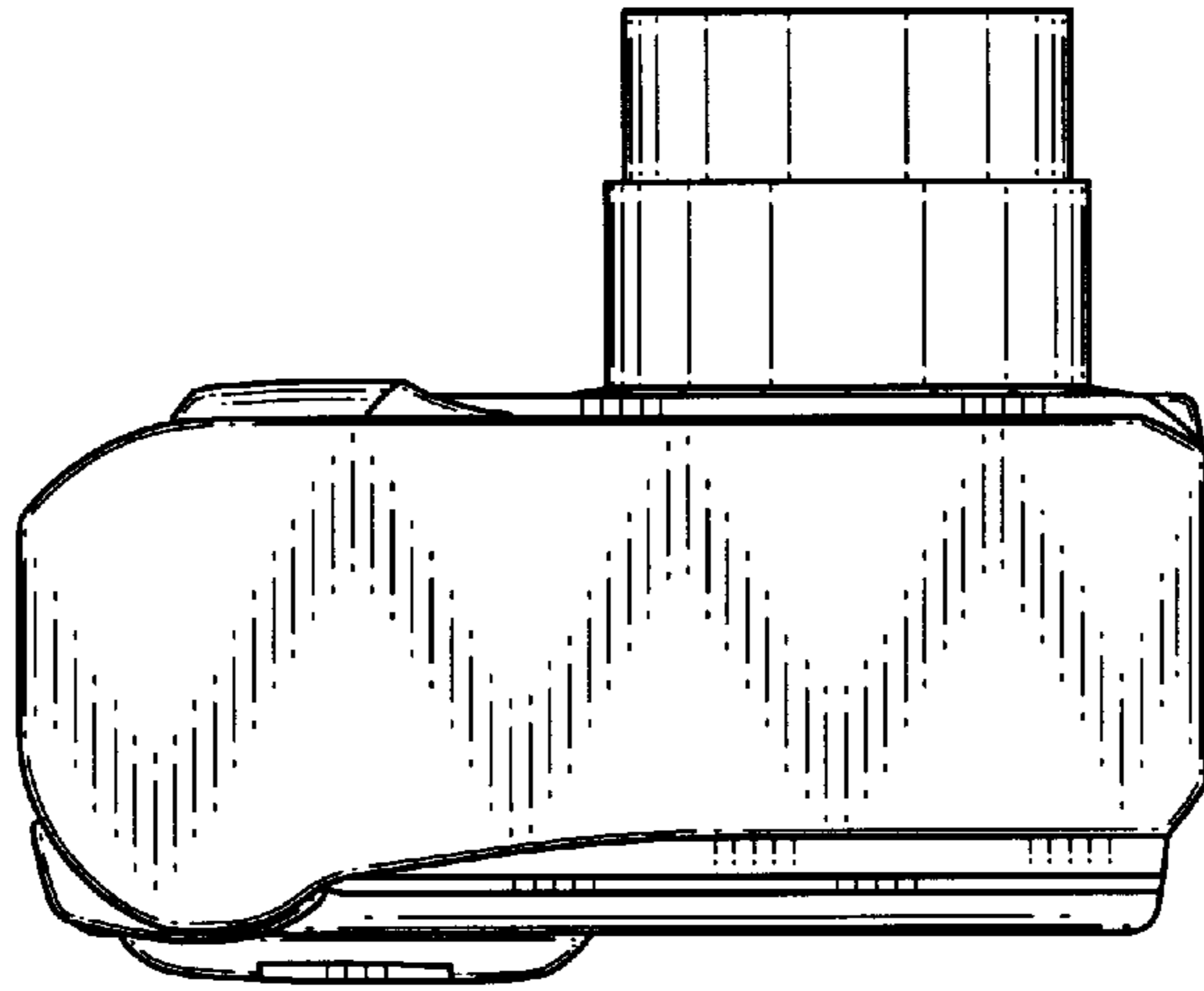


FIG. 6

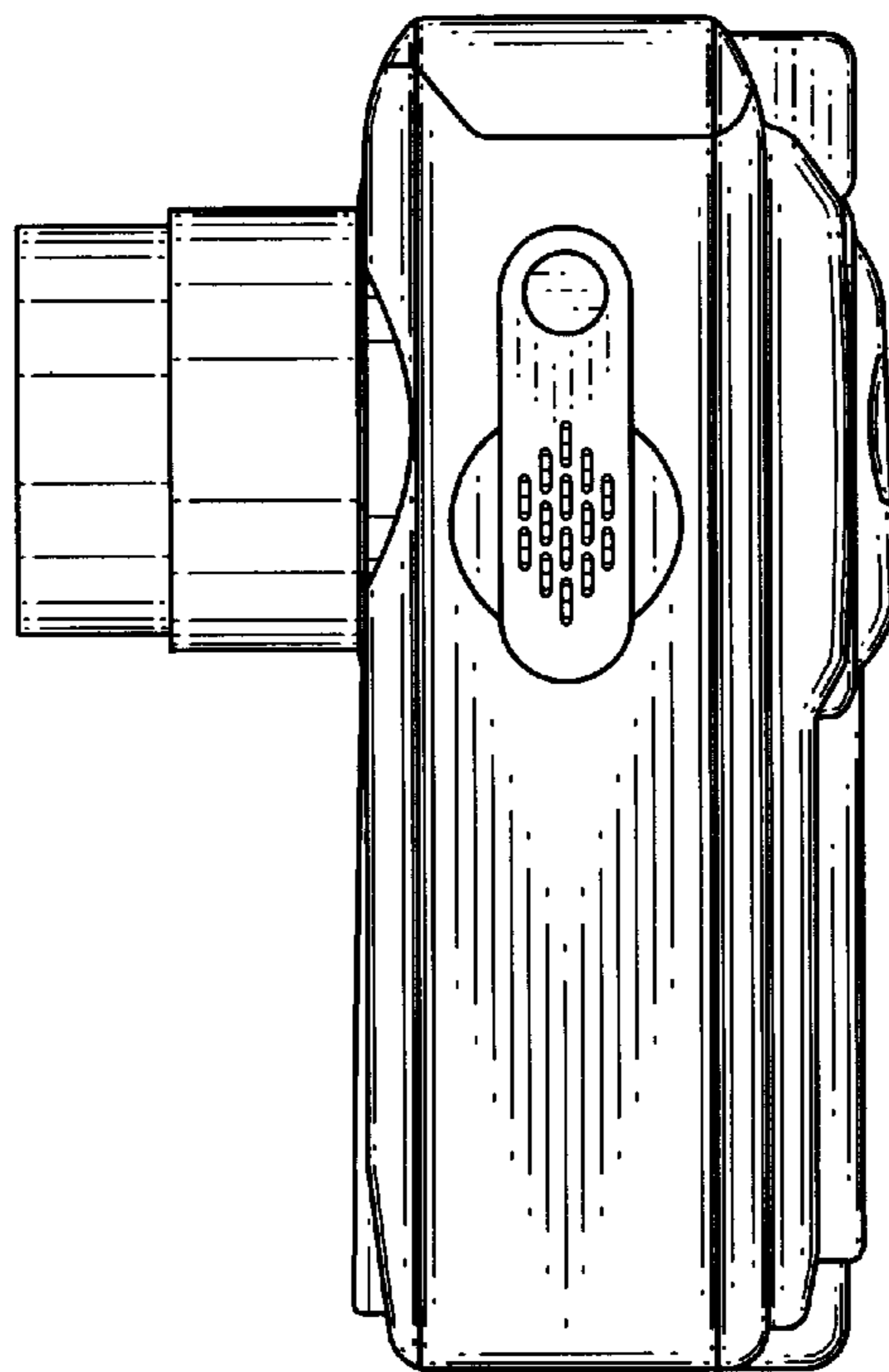


FIG. 7

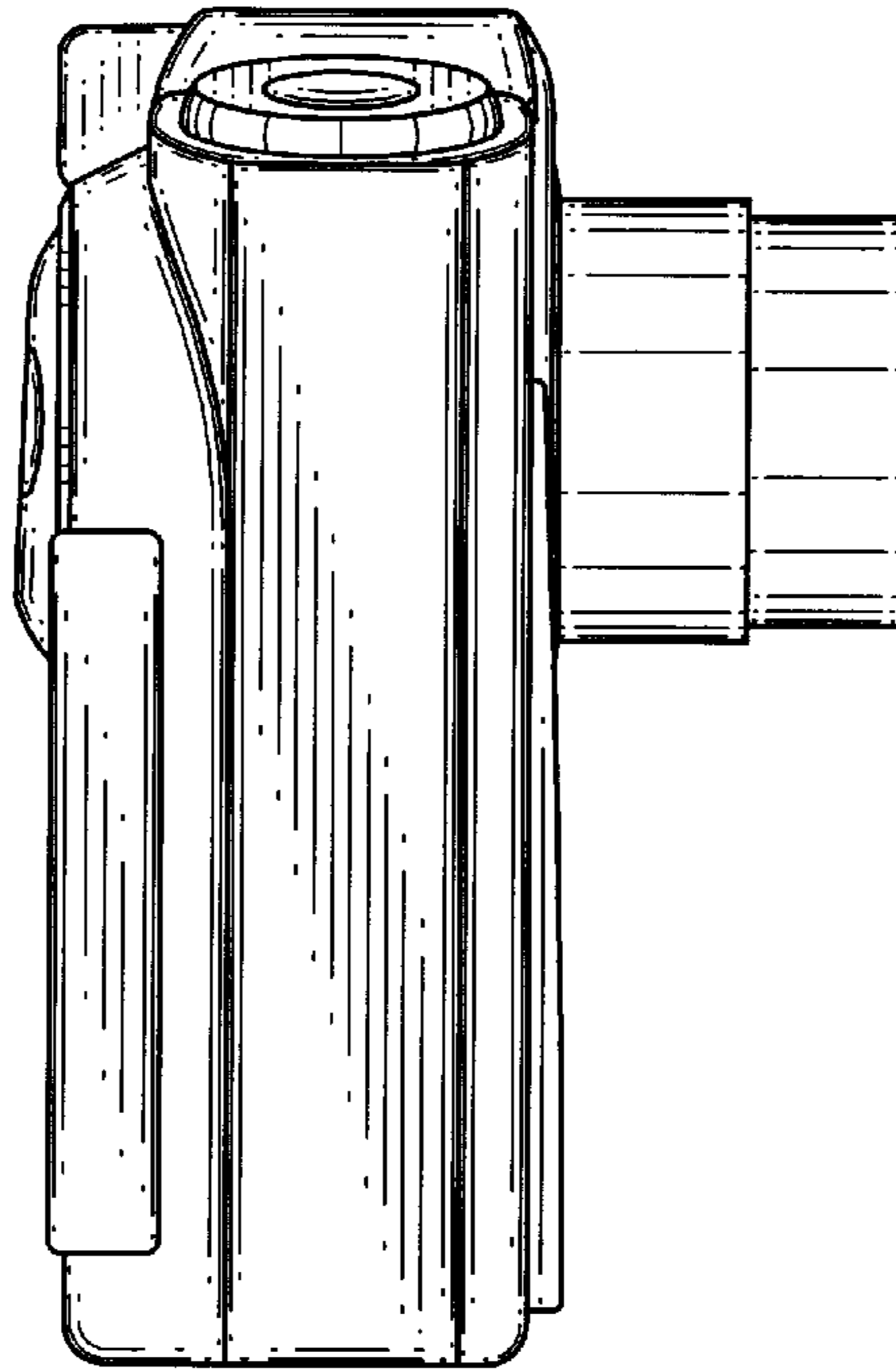


FIG. 8

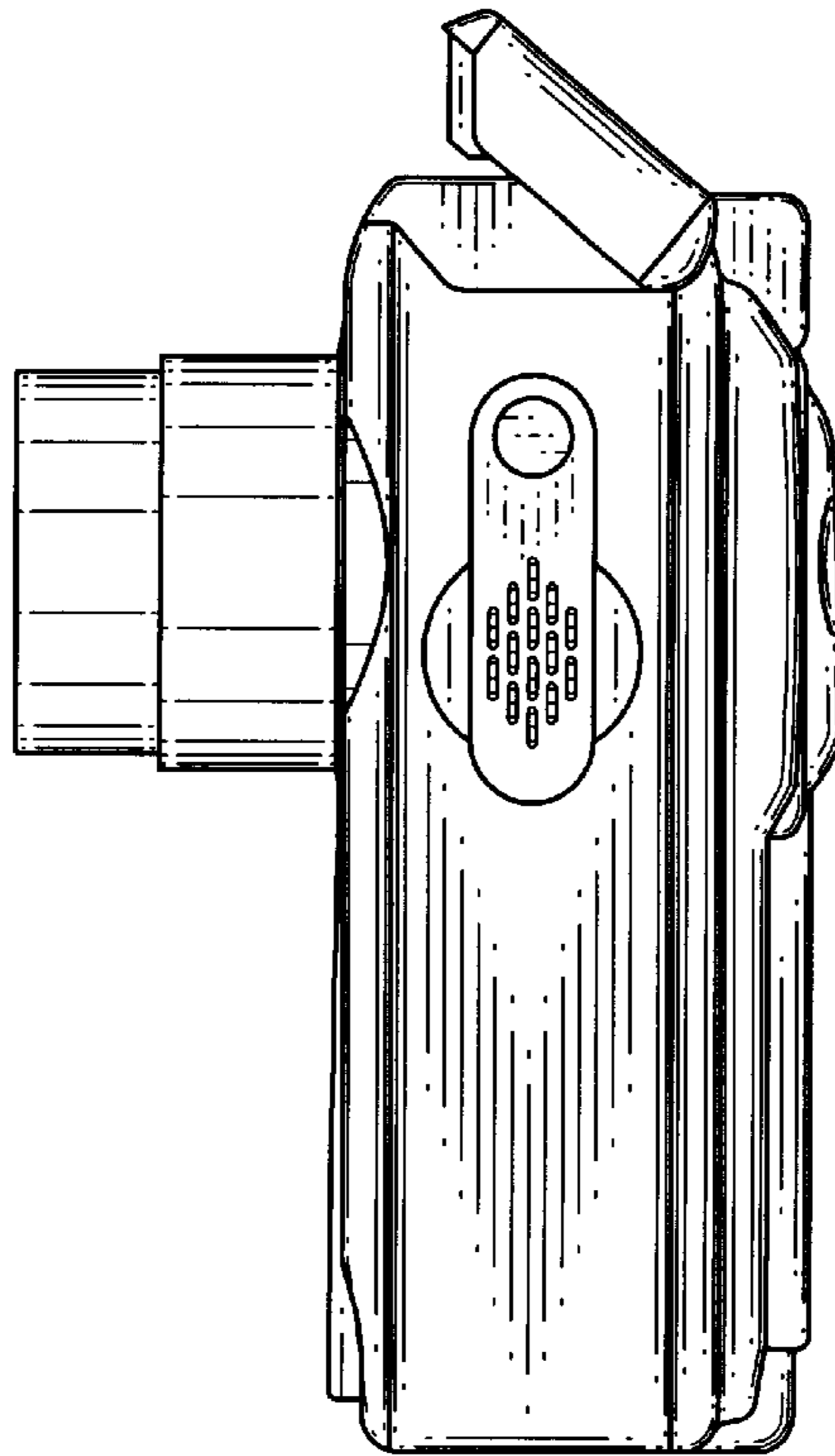


FIG. 9

