



US00D450066B1

(12) **United States Design Patent**
Monesmith

(10) **Patent No.:** **US D450,066 S**

(45) **Date of Patent:** **** Nov. 6, 2001**

(54) **LAWN MOWER BLADE**

5,327,710 7/1994 Plamper et al. .

5,561,972 10/1996 Rolfe .

5,775,078 7/1998 Warren .

(76) Inventor: **Lamar F Monesmith**, 305 S. 28th # 2,
Billings, MT (US) 59101

* cited by examiner

(**) Term: **14 Years**

Primary Examiner—Mitchell Siegel

(21) Appl. No.: **29/130,650**

(57) **CLAIM**

(22) Filed: **Oct. 6, 2000**

The ornamental design for a lawn mower blade, as shown and described.

(51) **LOC (7) Cl.** **15-03**

(52) **U.S. Cl.** **D15/17**

(58) **Field of Search** D15/17, 139; D8/8,
D8/20; 56/295, 12.7, 255, 13.4, 17.5

DESCRIPTION

FIG. 1 is a front elevational view of the lawn mower blade of the present invention;

FIG. 2 is a rear elevational view of the lawn mower blade of FIG. 1;

FIG. 3 is a left side elevational view of the lawn mower blade of FIG. 1, the right view being substantially similar; and,

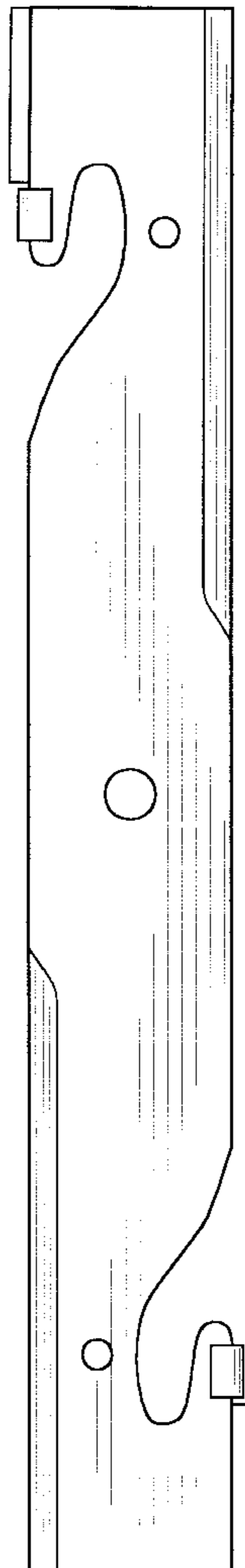
FIG. 4 is a bottom plan view of the lawn mower blade of FIG. 1, the top view being substantially similar.

(56) **References Cited**

U.S. PATENT DOCUMENTS

| | | | |
|------------|----------|--------------------|---------|
| D. 289,524 | 4/1987 | Andersson et al. . | |
| D. 357,691 | * 4/1995 | Bryant | D15/265 |
| 4,995,228 | * 2/1991 | Hladik | 56/255 |
| 5,018,347 | * 5/1991 | Feilen | 56/295 |
| 5,069,025 | 12/1991 | Iverson . | |
| 5,271,212 | 12/1993 | Anderson . | |

1 Claim, 2 Drawing Sheets



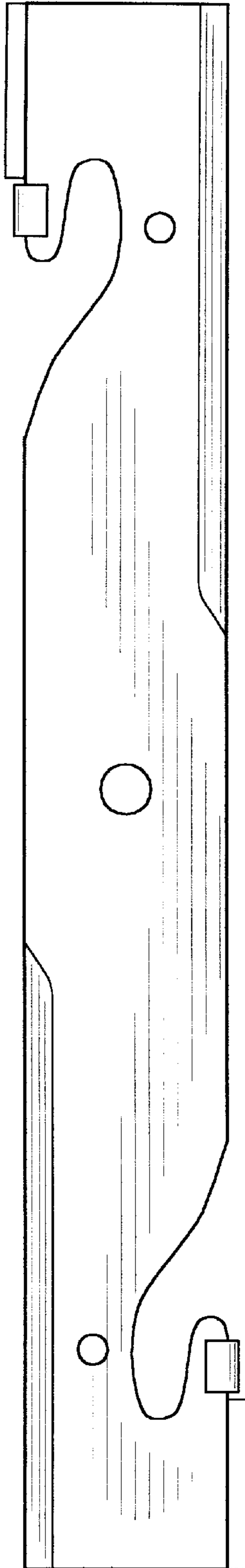


FIG. 1

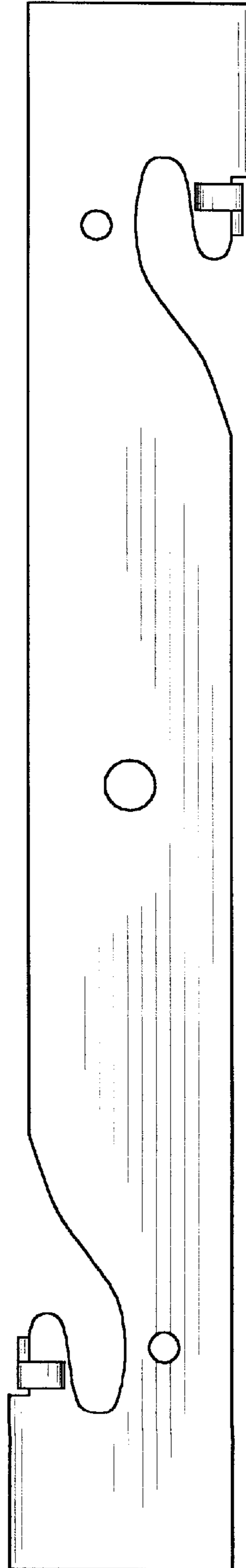


FIG. 2

FIG. 3

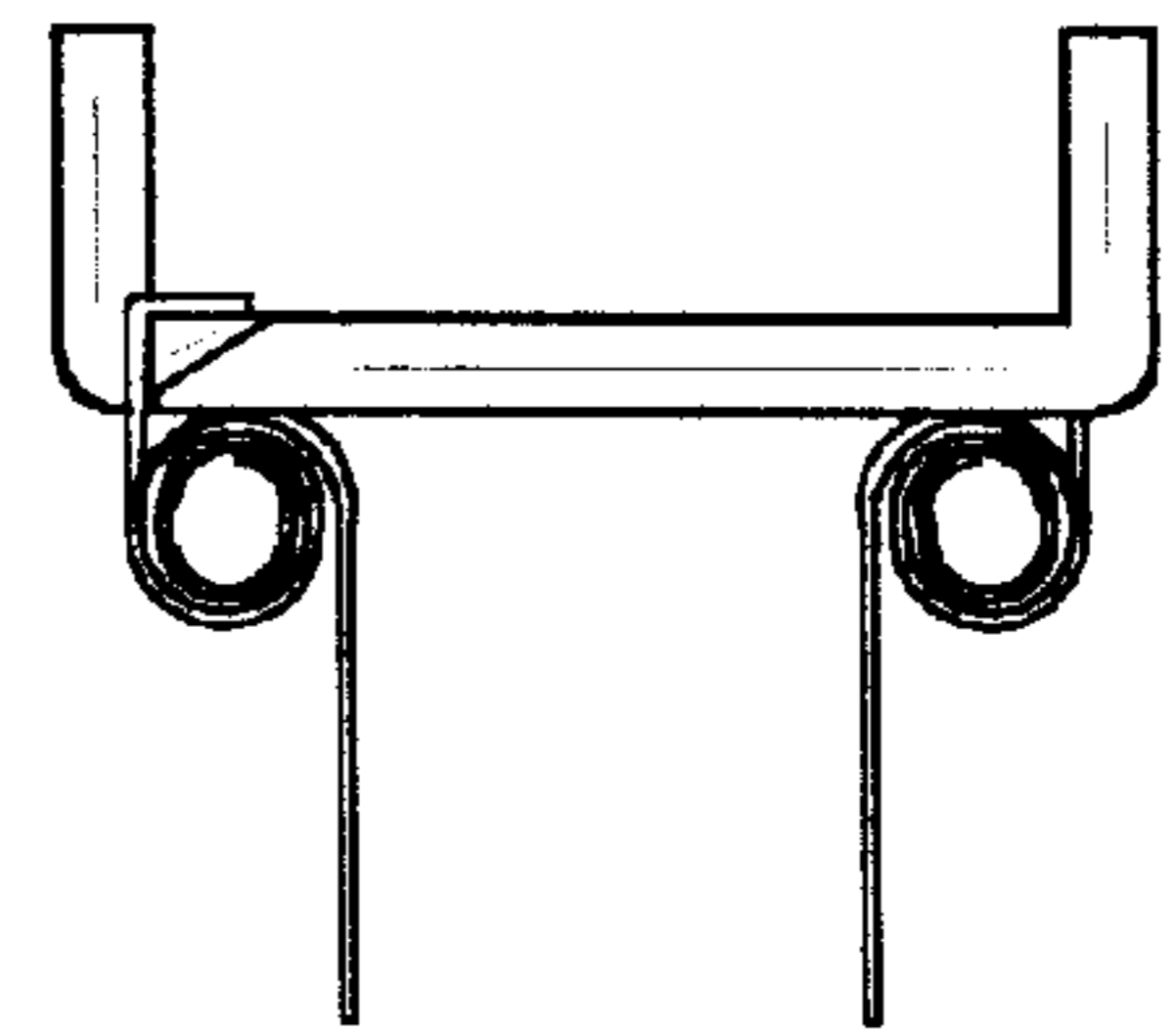
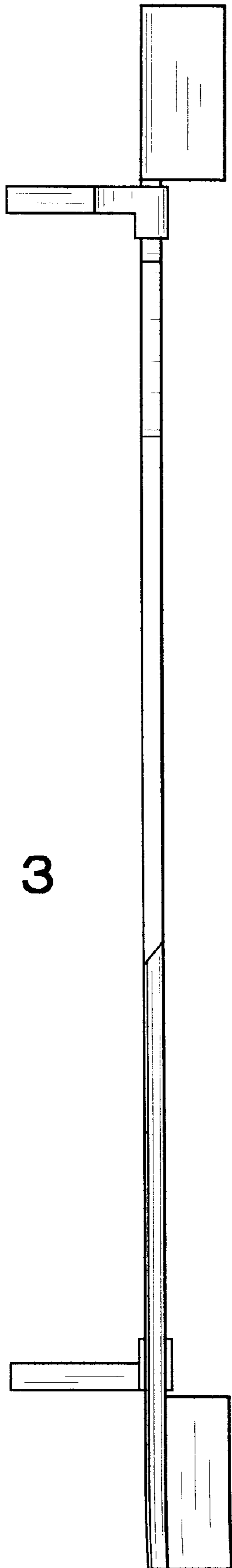


FIG. 4