



US00D450064B1

(12) **United States Design Patent**  
**Concari et al.**

(10) **Patent No.:** **US D450,064 S**

(45) **Date of Patent:** **\*\* Nov. 6, 2001**

(54) **MOWER**

(75) Inventors: **Gabriel E. Concari**, Eldersburg, MD  
(US); **David S. Strong**, Battersea (CA);  
**Richard P. Rosa**; **Murray D. Hunter**,  
both of Kingston (CA)

(73) Assignee: **Black & Decker Inc.**, Newark, DE  
(US)

(\*\*) Term: **14 Years**

(21) Appl. No.: **29/127,747**

(22) Filed: **Aug. 11, 2000**

(51) **LOC (7) Cl.** ..... **15-03**

(52) **U.S. Cl.** ..... **D15/14**

(58) **Field of Search** ..... D15/14, 17, 18;  
56/11.9, 17.5, 13.4, 12.8, 16.7, 202, 255,  
294, 295

(56) **References Cited**

**U.S. PATENT DOCUMENTS**

- D. 232,184 7/1974 Cognata .
- D. 330,210 10/1992 Sirois et al. .
- D. 356,581 3/1995 Chunn et al. .
- D. 361,771 8/1995 Ledingham .
- D. 374,017 9/1996 Chunn et al. .

- D. 381,665 7/1997 Hinklin et al. .
- D. 390,576 \* 2/1998 Shimamura ..... D15/14
- D. 410,012 5/1999 Goebert et al. .
- D. 419,163 1/2000 Sirois et al. .
- D. 424,070 \* 5/2000 Danthois ..... D15/14
- 3,147,987 9/1964 Ritums .
- 5,442,901 8/1995 Niemela et al. .

\* cited by examiner

*Primary Examiner*—Mitchell Siegel

(74) *Attorney, Agent, or Firm*—Harness, Dickey & Pierce,  
P.L.C.

(57) **CLAIM**

The ornamental design for a mower, as shown and described.

**DESCRIPTION**

FIG. 1 is a front-right perspective view of the a mower in accordance with the present invention;  
 FIG. 2 is a front left perspective view of the mower;  
 FIG. 3 is a plan view of the mower;  
 FIG. 4 is a front view of the mower;  
 FIG. 5 is a right side view of the mower;  
 FIG. 6 is a left side view of the mower; and,  
 FIG. 7 is a rear view of the mower.

**1 Claim, 7 Drawing Sheets**





FIG. 1.



FIG. 2.

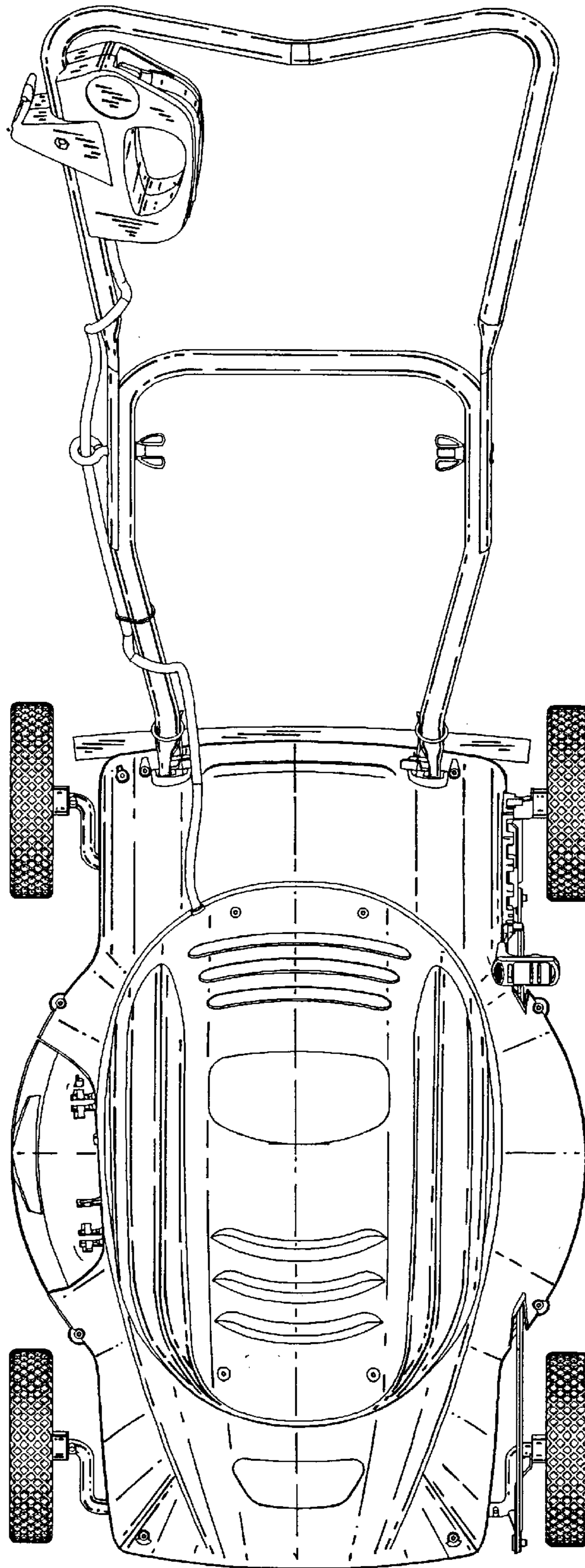


FIG. 3.

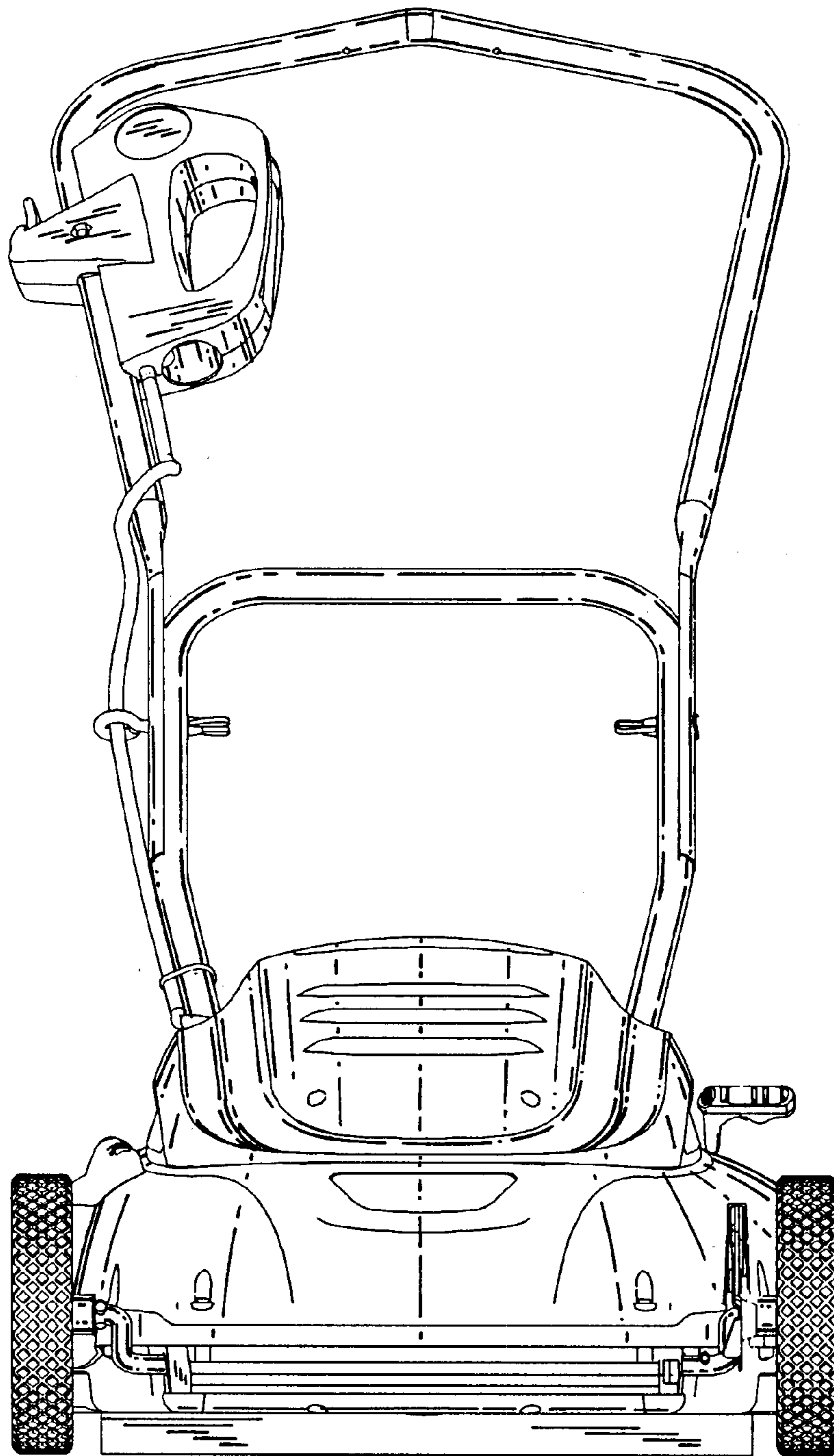
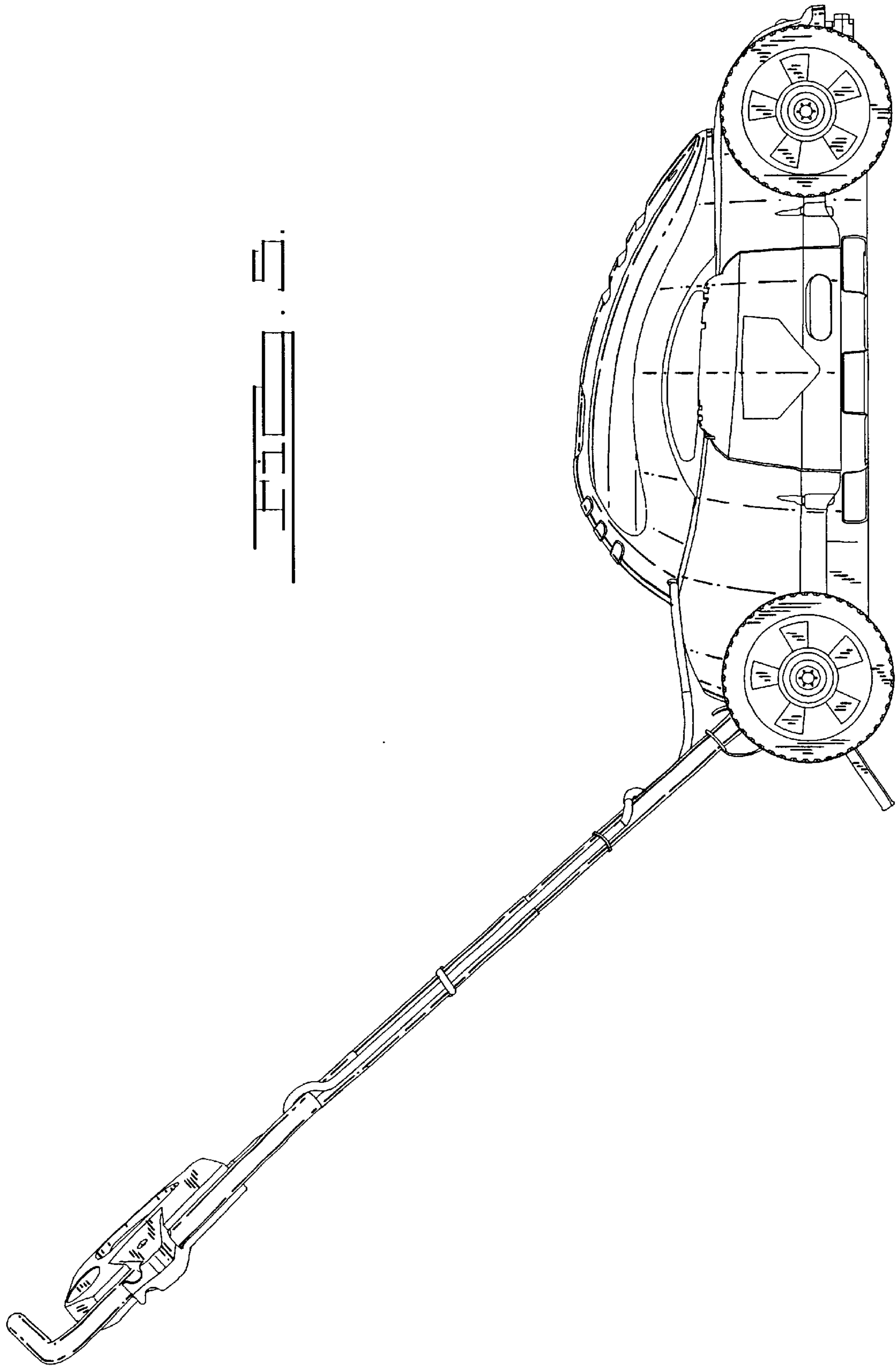
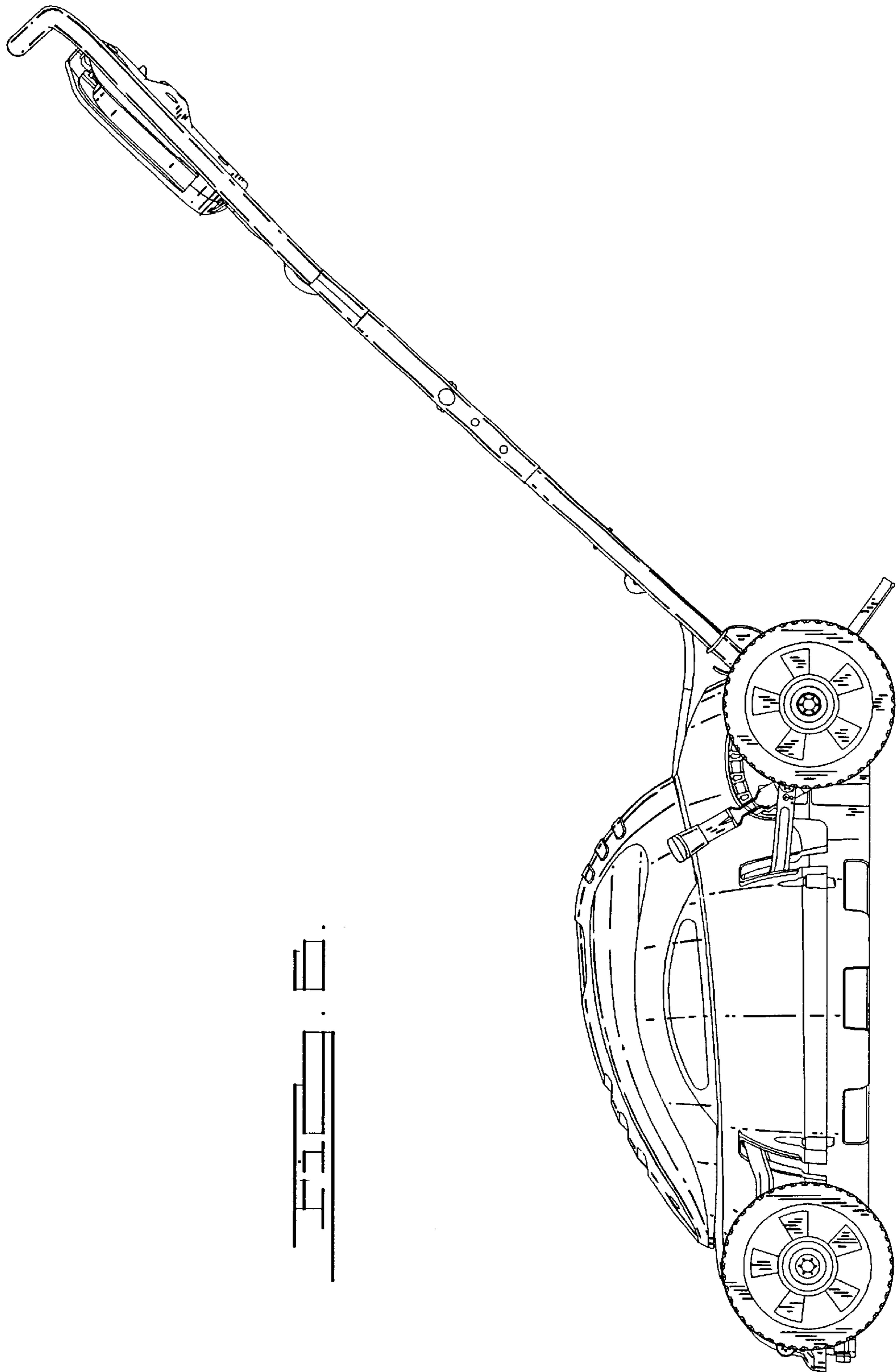


FIG. 4.





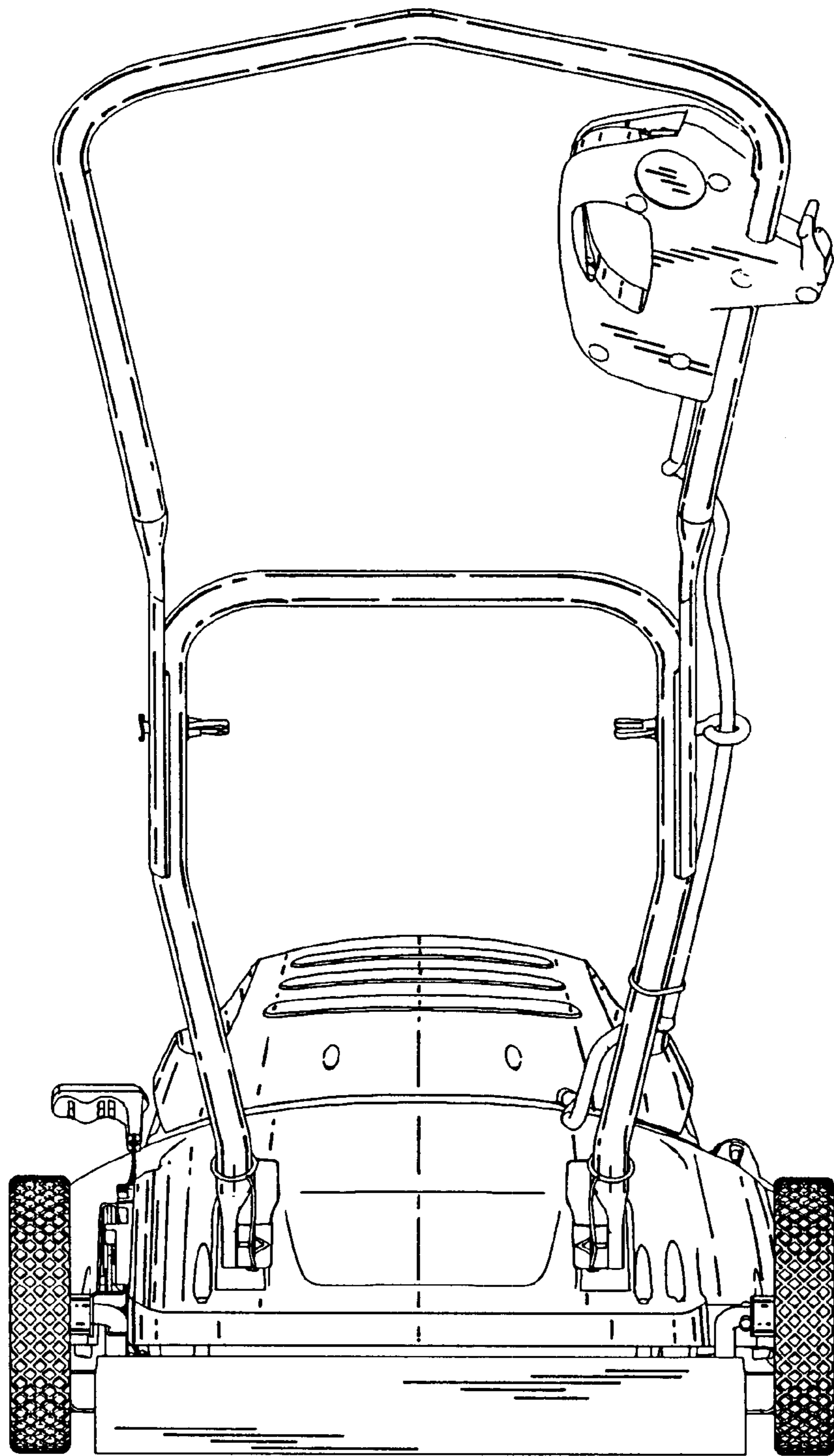


FIG. 7.