



US00D450063B1

(12) **United States Design Patent**  
**Bentley**

(10) **Patent No.:** **US D450,063 S**

(45) **Date of Patent:** **\*\* Nov. 6, 2001**

(54) **COMPOST SPREADING AND TOP DRESSING APPARATUS**

(76) Inventor: **John A. Bentley**, 705 Elizabethtown Rd., Manheim, PA (US) 17545

(\*\*) Term: **14 Years**

(21) Appl. No.: **29/116,473**

(22) Filed: **Jan. 4, 2000**

(51) **LOC (7) Cl.** ..... **15-03**

(52) **U.S. Cl.** ..... **D15/13; D15/27**

(58) **Field of Search** ..... **D15/13, 27; 239/146, 239/176, 661, 671, 672, 165**

(56) **References Cited**

**U.S. PATENT DOCUMENTS**

D. 296,789	*	7/1988	Larsson	.....	D15/13
D. 388,440	*	12/1997	Bentley	.....	D15/13
4,438,873	*	3/1984	Kaercher, Jr.	.	
4,473,184	*	9/1984	Martin	.	
5,307,952	*	5/1994	Worrel et al.	.....	239/672
5,992,759	*	11/1999	Patterson	.....	239/165
6,149,079	*	11/2000	Kinkead et al.	.....	239/672

\* cited by examiner

Primary Examiner—B. J. Bullock

(57) **CLAIM**

The ornamental design for a compost spreading and top dressing apparatus, as shown and described.

**DESCRIPTION**

FIG. 1 is a left side elevational view of the compost spreading and top dressing apparatus showing my new design, the apparatus being oriented in a position at which the apparatus is normally connected to a prime mover (not shown);

FIG. 2 is a front elevational view of the compost spreading and top dressing apparatus shown in FIG. 1;

FIG. 3 is a right side elevational view of the compost spreading and top dressing apparatus shown in FIG. 1;

FIG. 4 is a rear elevational view of the compost spreading and top dressing apparatus shown in FIGS. 1-3;

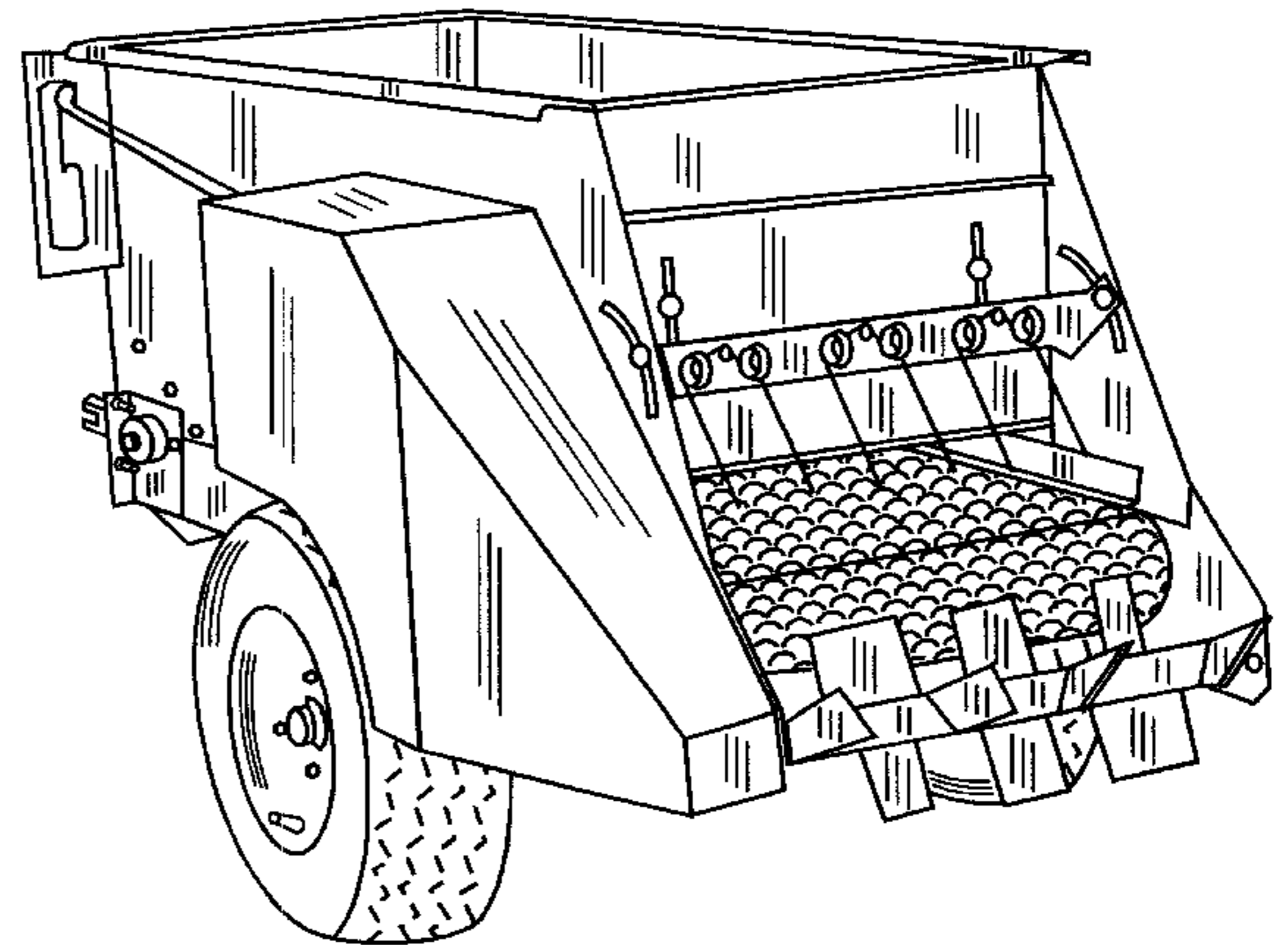
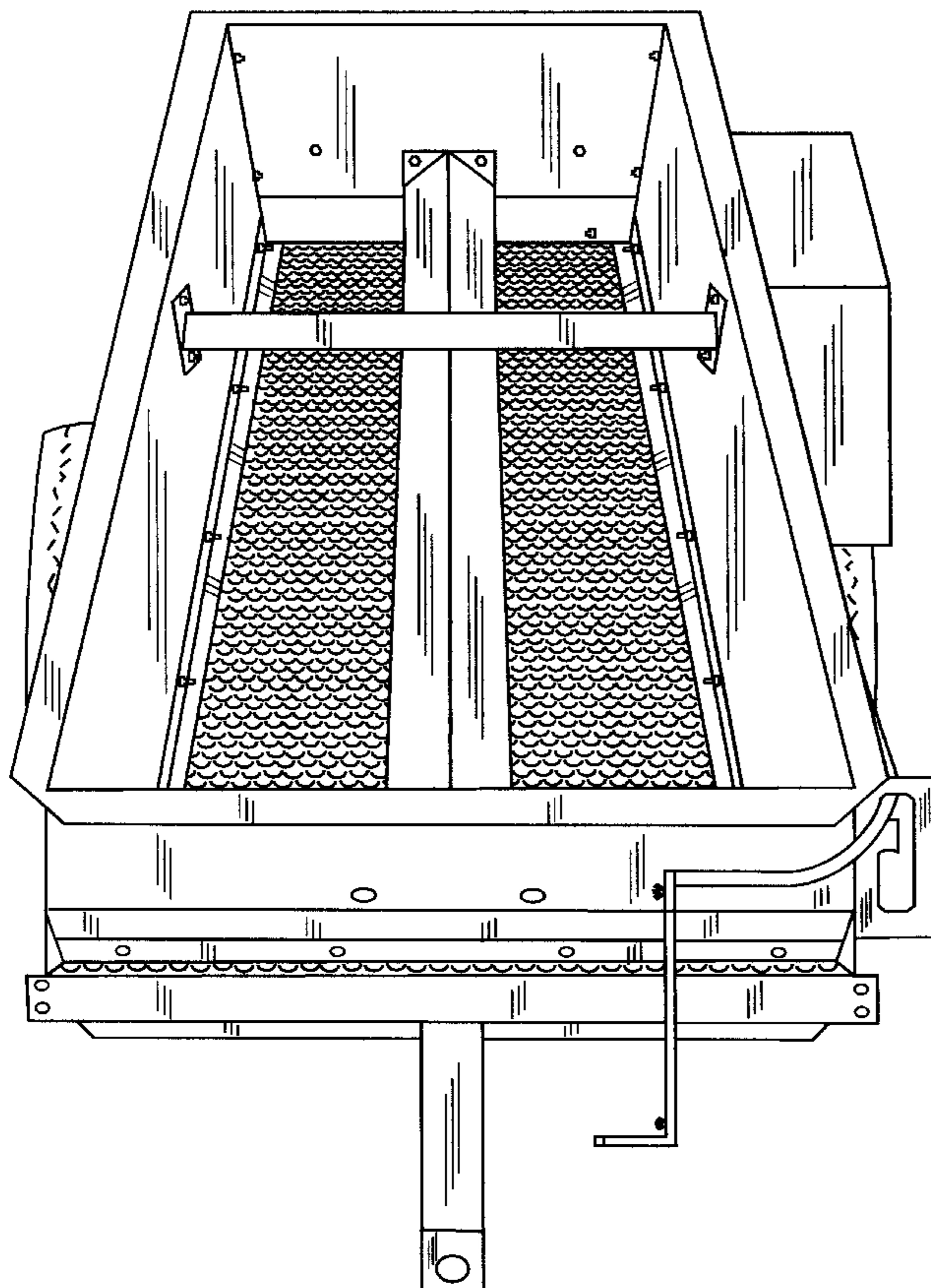
FIG. 5 is an upper, front perspective view of the compost spreading and top dressing apparatus showing the top and the internal features of the apparatus; and,

FIG. 6 is a left, rear perspective view of the compost spreading and top dressing apparatus depicted in FIGS. 1-5.

FIGS. 2, 4 and 5 are shown on an enlarged scale.

The broken lines are for illustrative purposes only and form no part of the claimed design.

**1 Claim, 6 Drawing Sheets**



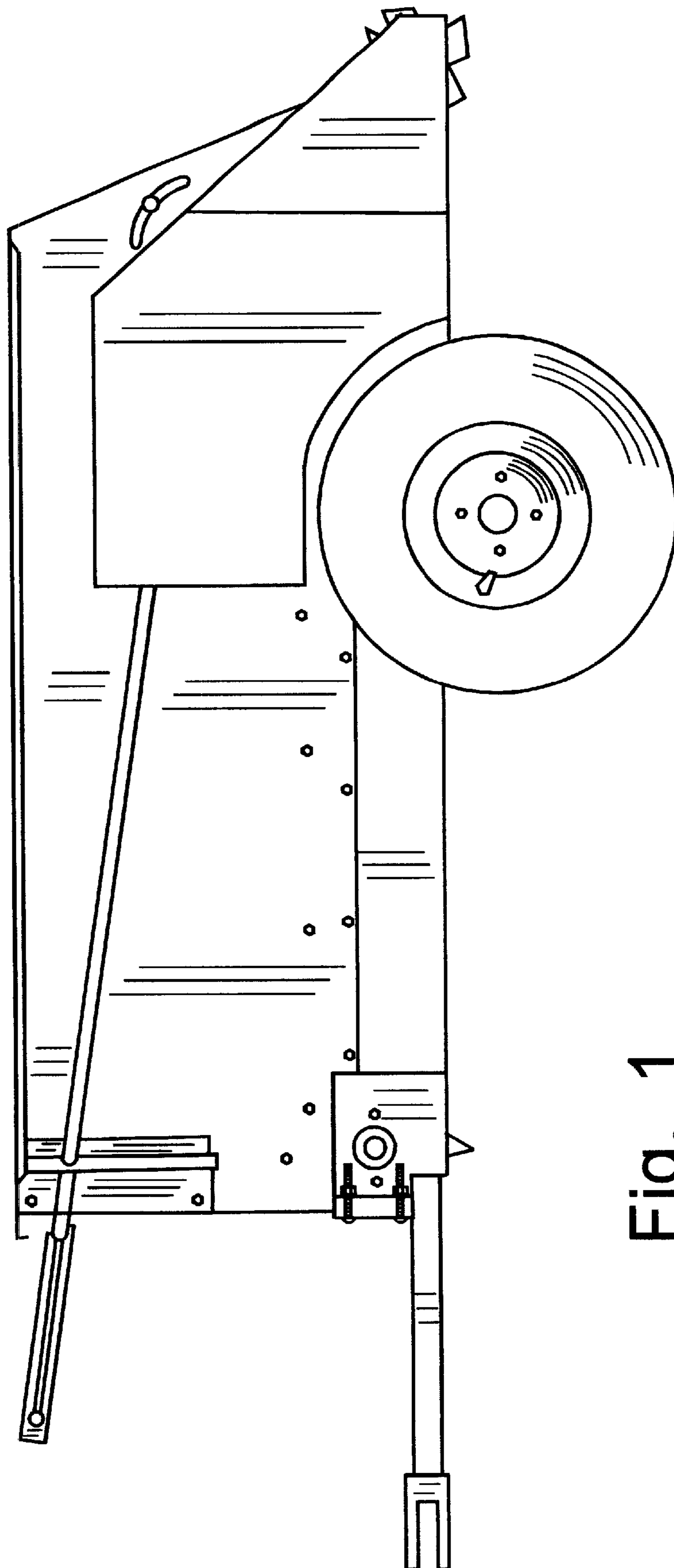


Fig. 1

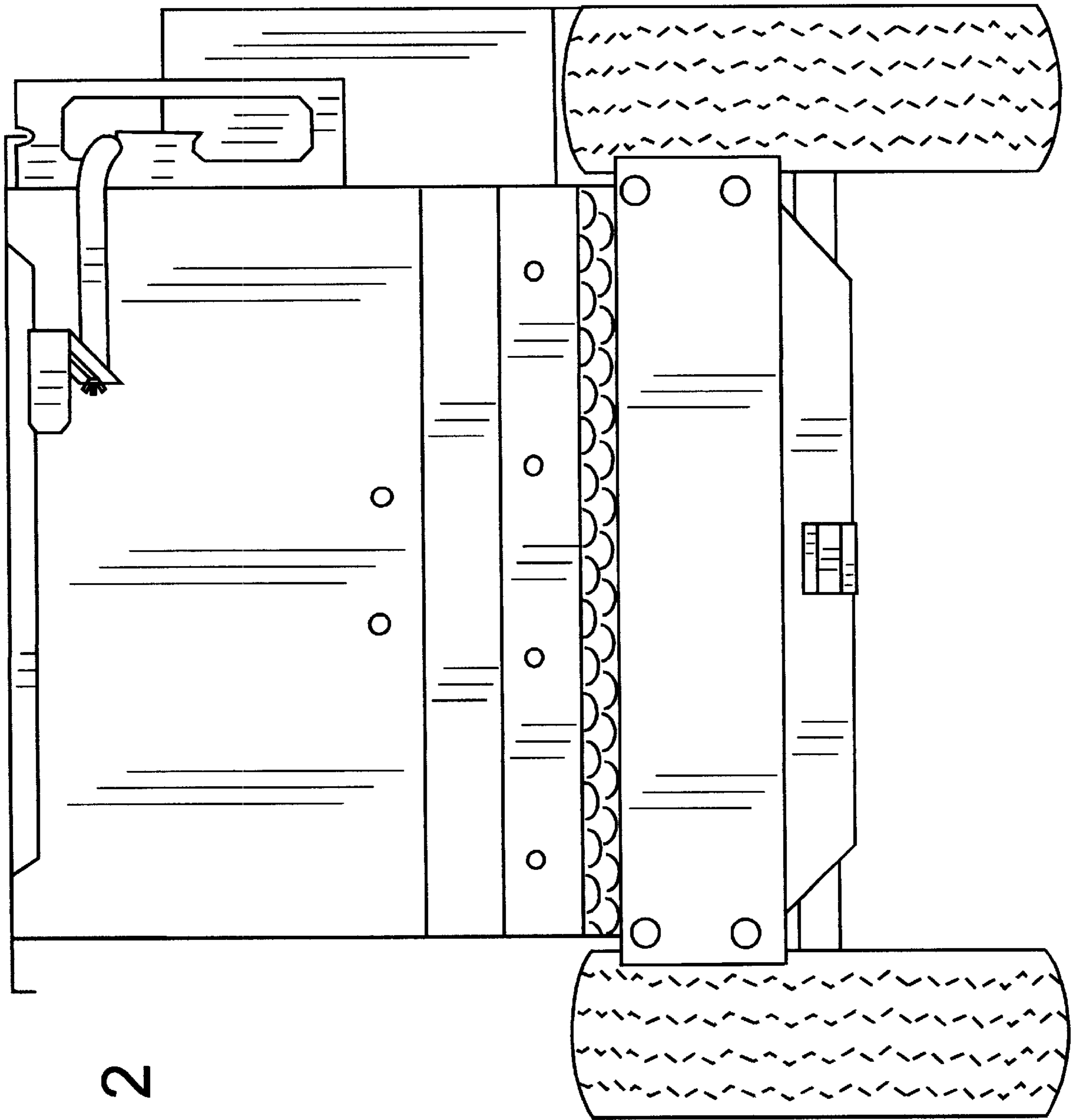


Fig. 2

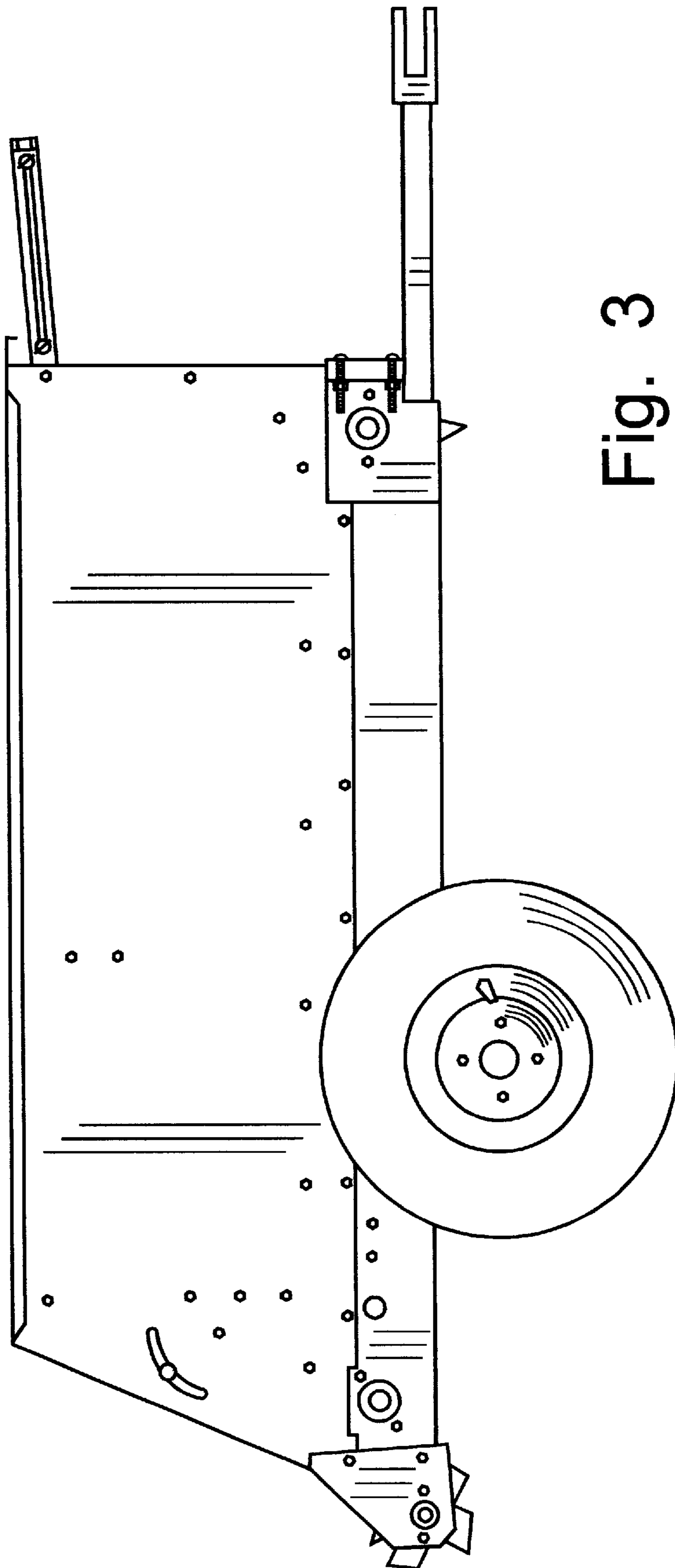


Fig. 3

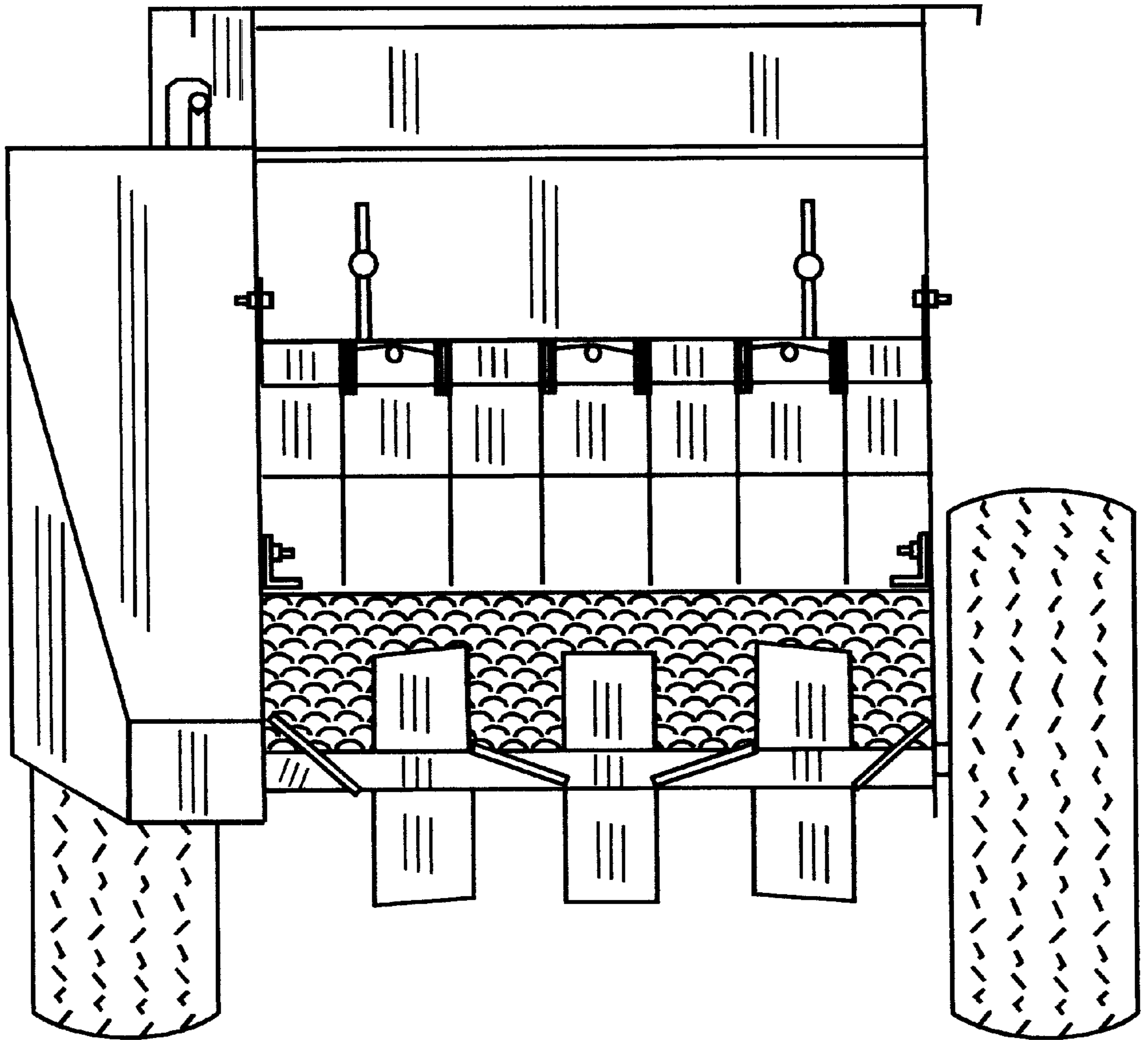


Fig. 4

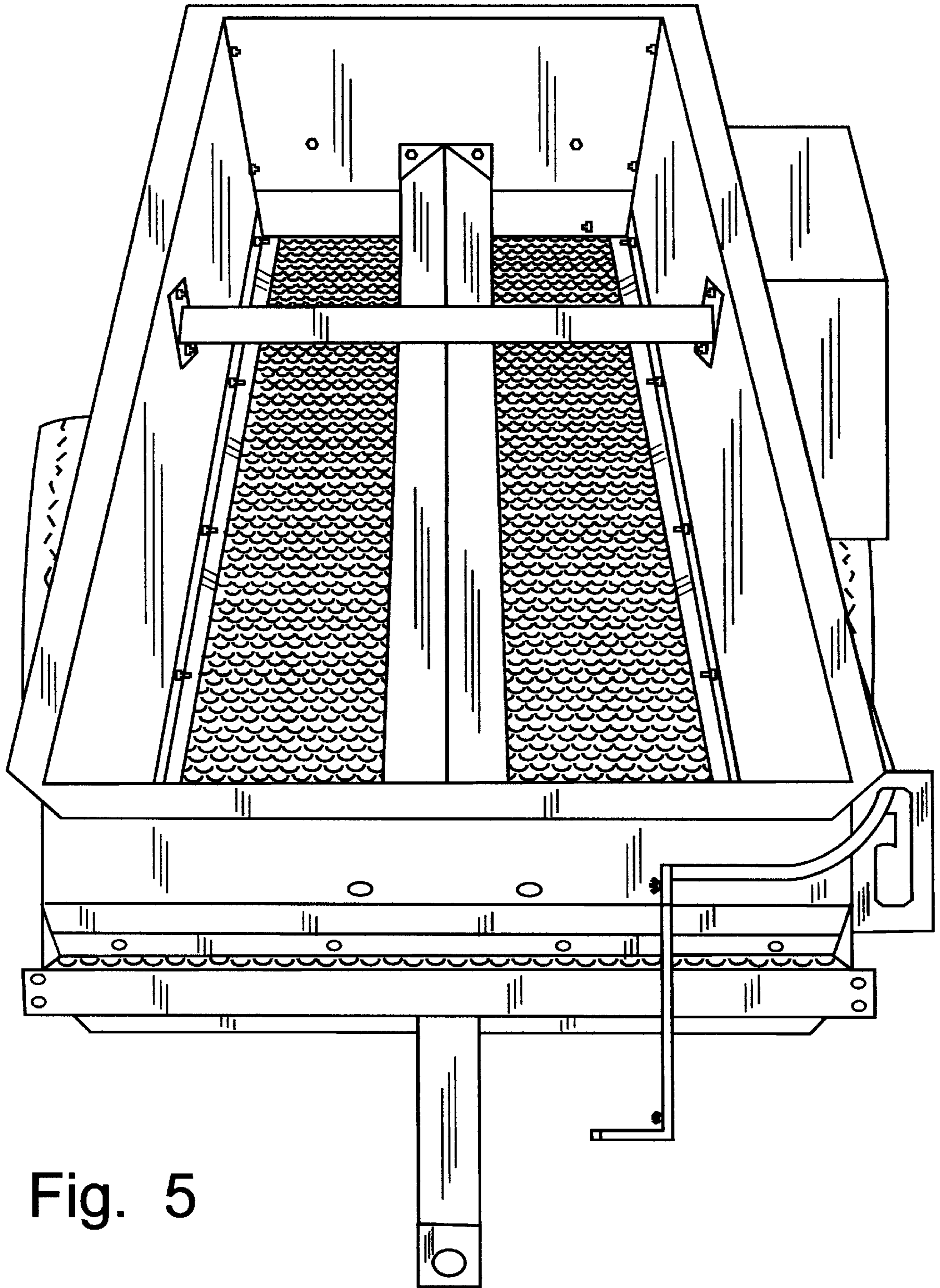


Fig. 5

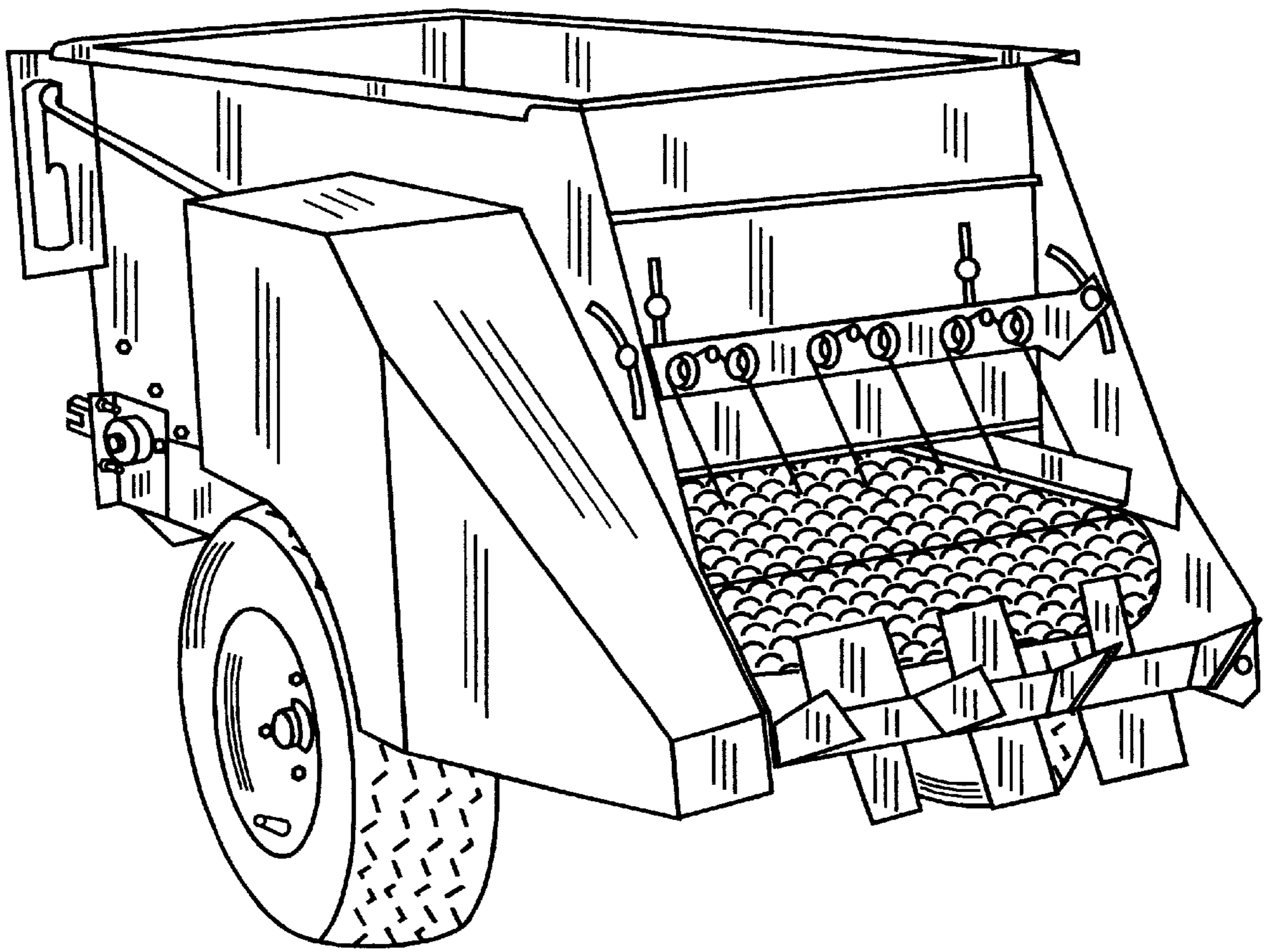


Fig. 6