



US00D450061B1

(12) **United States Design Patent**
Graber et al.

(10) **Patent No.:** **US D450,061 S**

(45) **Date of Patent:** **** Nov. 6, 2001**

(54) **COMBINATION COMPRESSOR/
GENERATOR**

(75) Inventors: **Tom Graber; Paul Klimek**, both of
New Ulm, MN (US)

(73) Assignee: **Coleman Powermate, Inc.**, Springfield,
MN (US)

(**) Term: **14 Years**

(21) Appl. No.: **29/127,261**

(22) Filed: **Aug. 2, 2000**

(51) **LOC (7) Cl.** **15-01**

(52) **U.S. Cl.** **D15/9**

(58) **Field of Search** D15/7, 8, 9; 248/657,
248/675; 92/58.1; 222/3; 417/234, 360,
44.9, 362; 137/899.4, 565.18

(56) **References Cited**

U.S. PATENT DOCUMENTS

- D. 185,000 * 8/1959 Hoover D15/9
- D. 223,039 * 2/1972 Widmer D15/7
- D. 243,282 * 1/1977 Burenga D15/9
- D. 273,011 * 3/1984 Dudley D15/9
- D. 276,997 1/1985 Mikado .

- D. 277,954 3/1985 Mizushima .
- D. 278,425 4/1985 Toshihiko .
- D. 293,584 * 1/1988 Morgan D15/9
- 2,804,259 * 8/1957 Ralston 137/899.4

* cited by examiner

Primary Examiner—Ralf Seifert

(74) *Attorney, Agent, or Firm*—Kramer Levin Naftalis &
Frankel, LLP.

(57) **CLAIM**

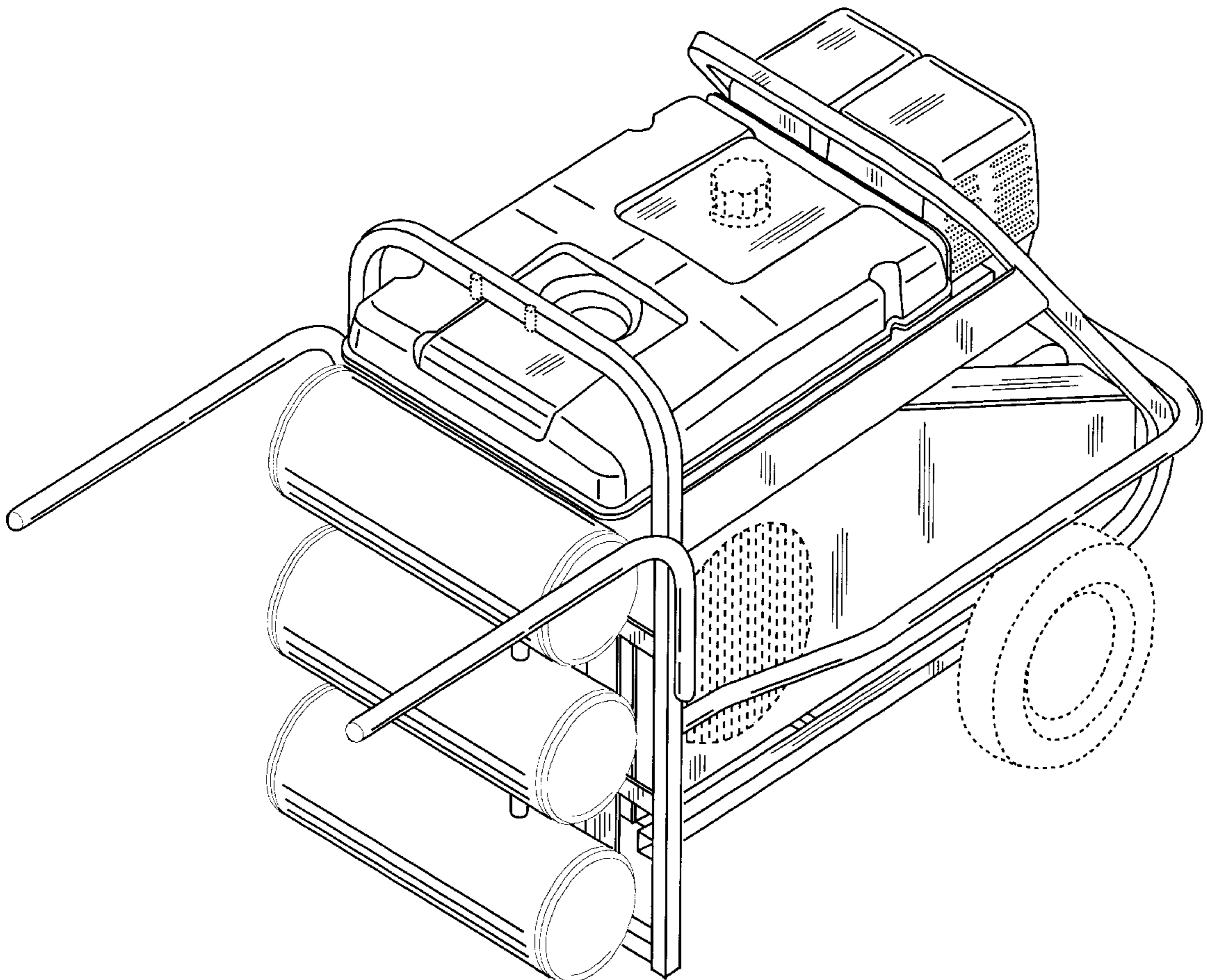
The ornamental design for a combination compressor/gen-
erator, as shown and described.

DESCRIPTION

FIG. 1 is a perspective view showing of a combination
compressor/generator showing my new design;
FIG. 2 is a side elevation view thereof;
FIG. 3 is a side elevation view thereof, showing the opposite
side of FIG. 2;
FIG. 4 is a top plan view thereof;
FIG. 5 is a bottom plan view thereof;
FIG. 6 is a rear elevation view thereof; and,
FIG. 7 is a front elevation view thereof.

It being understood that the broken lines are for illustrative
purposes only.

1 Claim, 7 Drawing Sheets



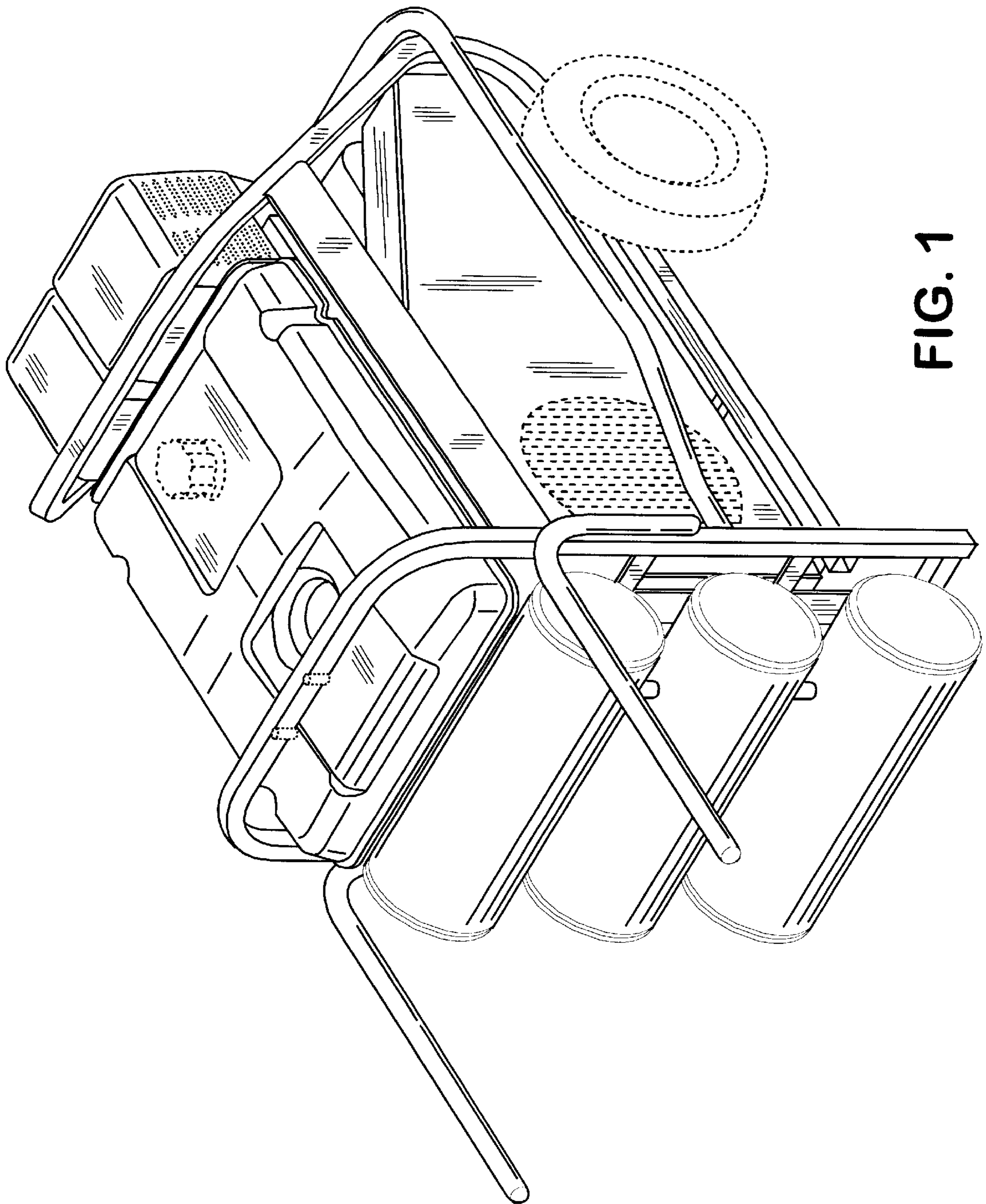


FIG. 1

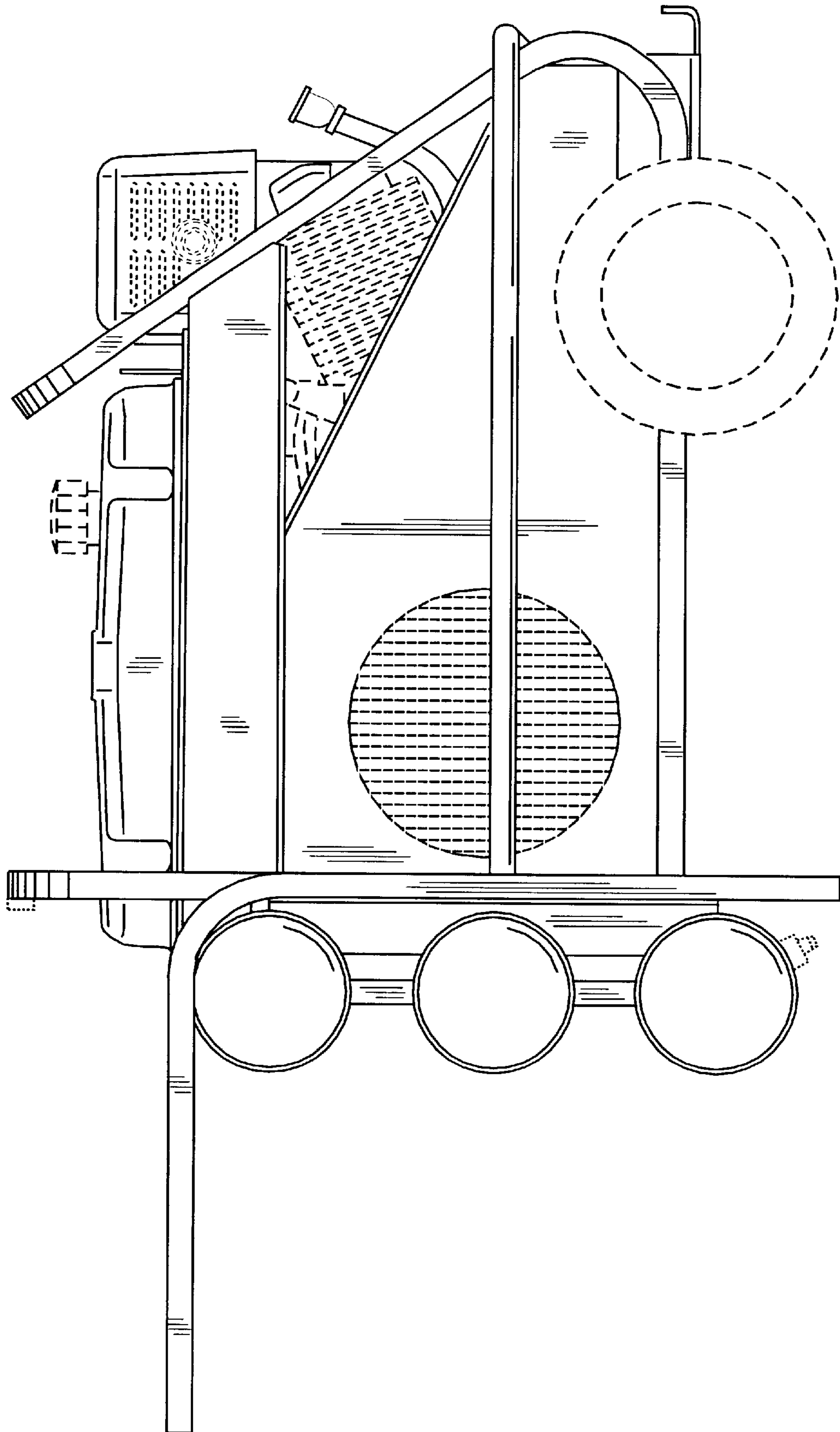


FIG. 2

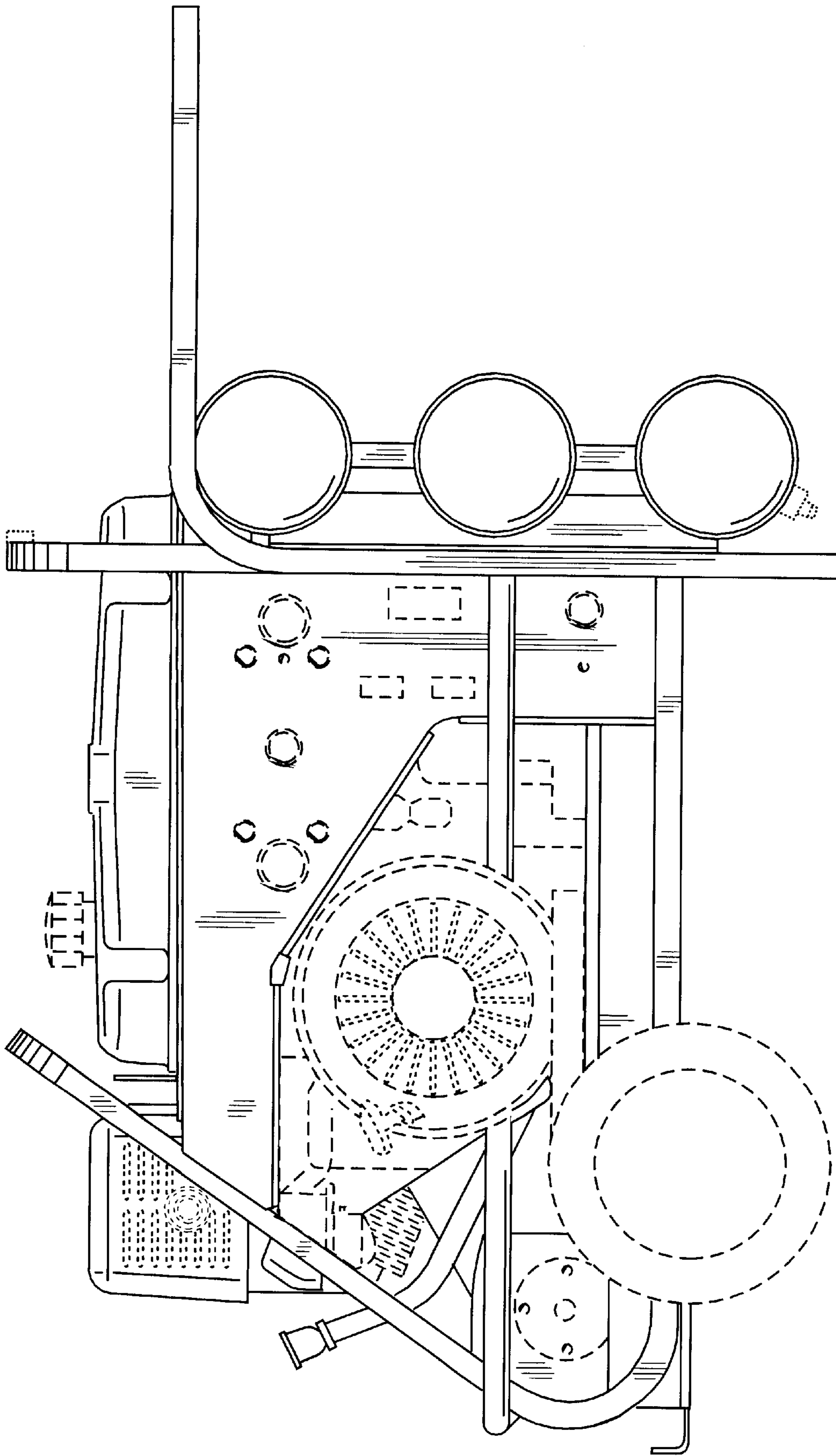


FIG. 3

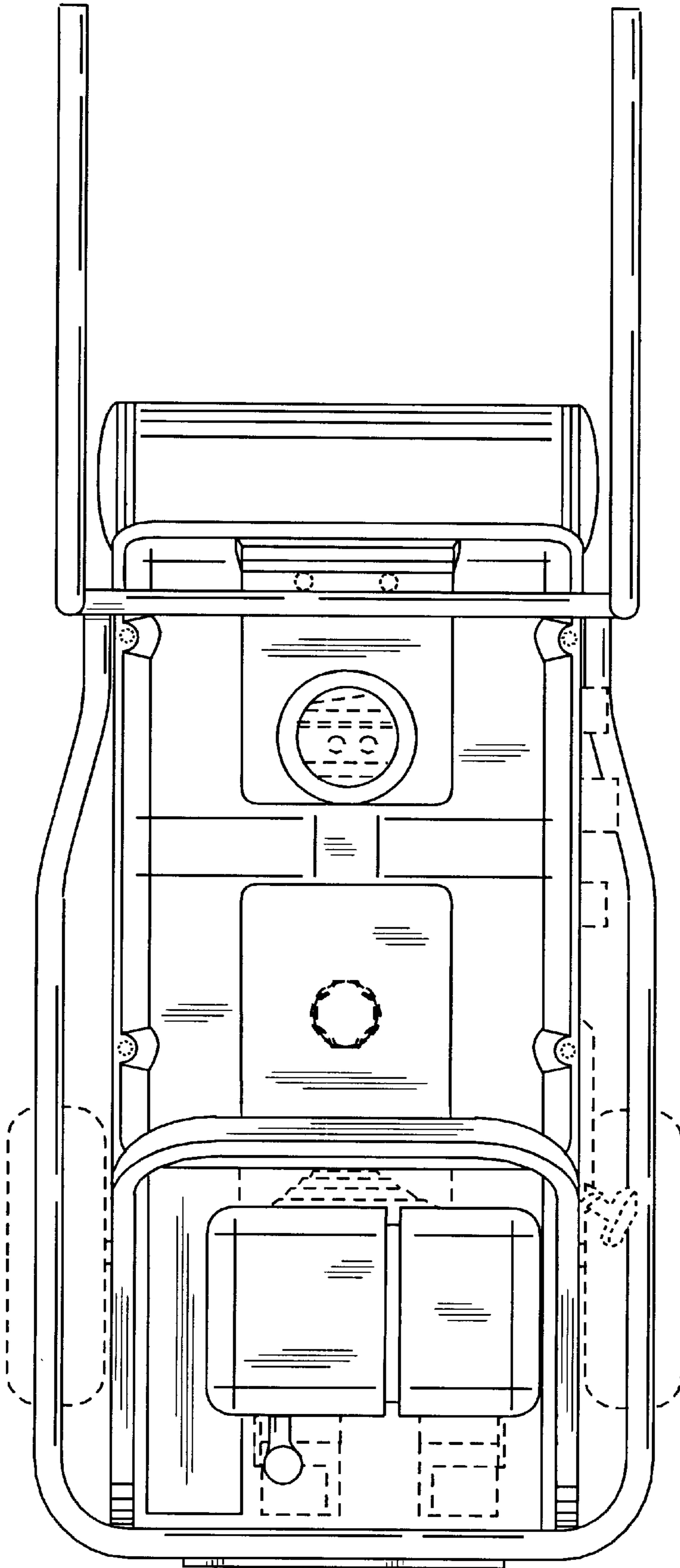


FIG. 4

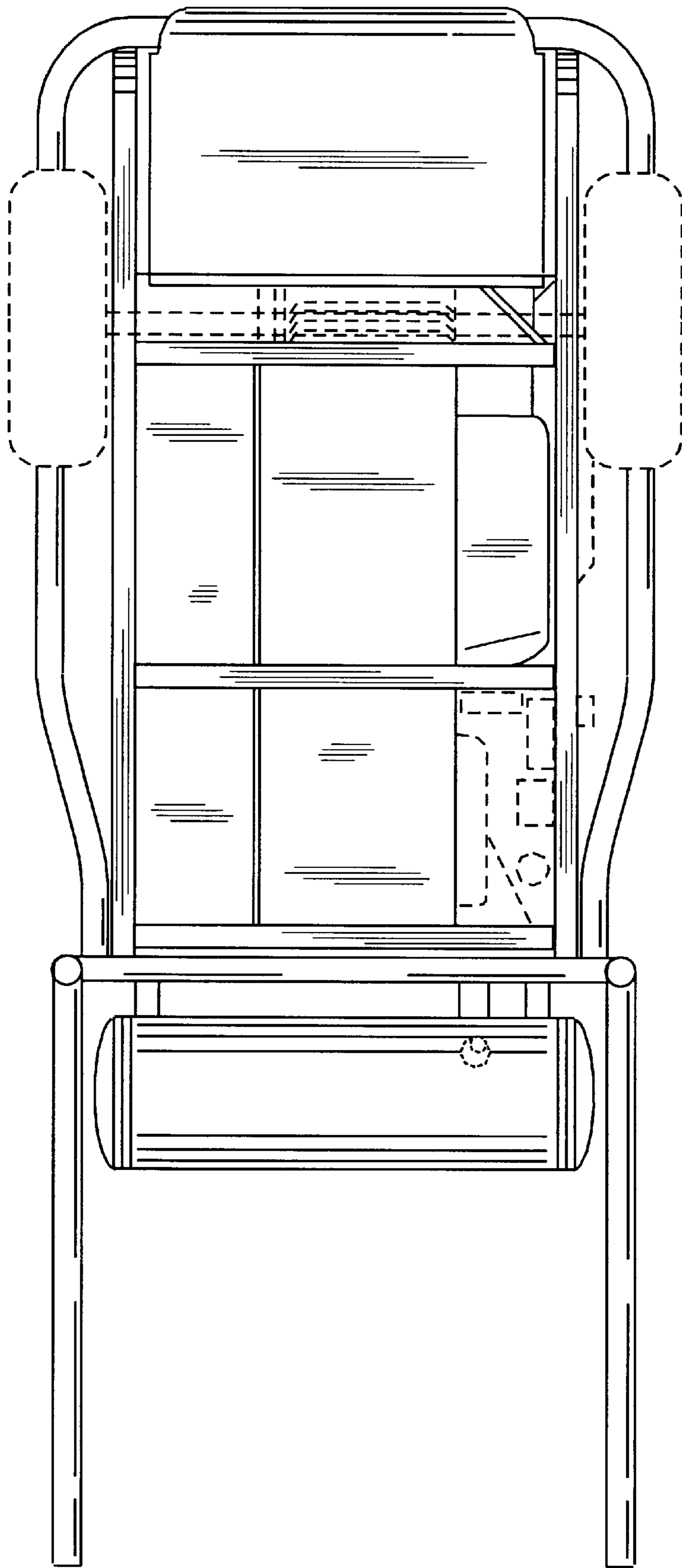


FIG. 5

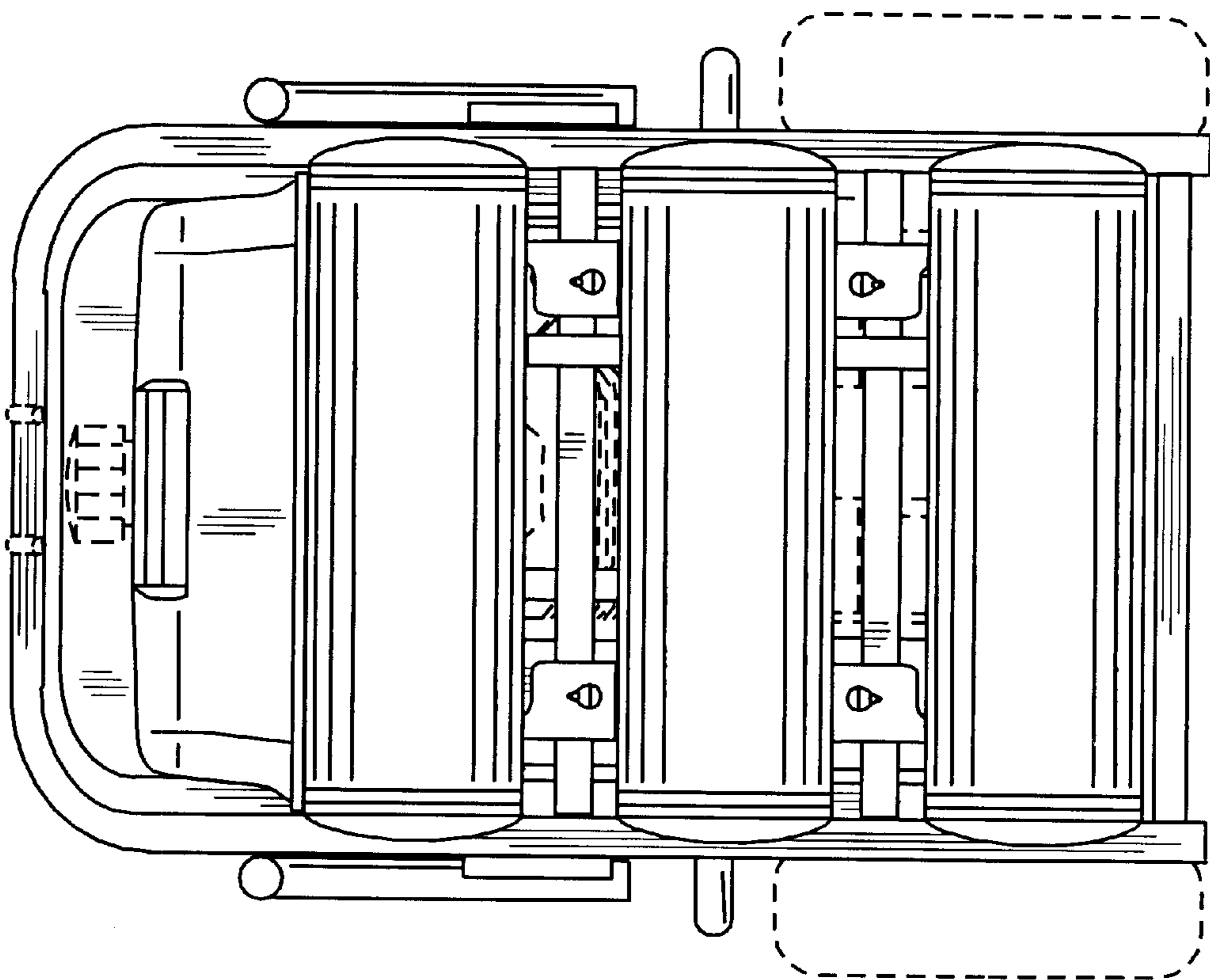


FIG. 6

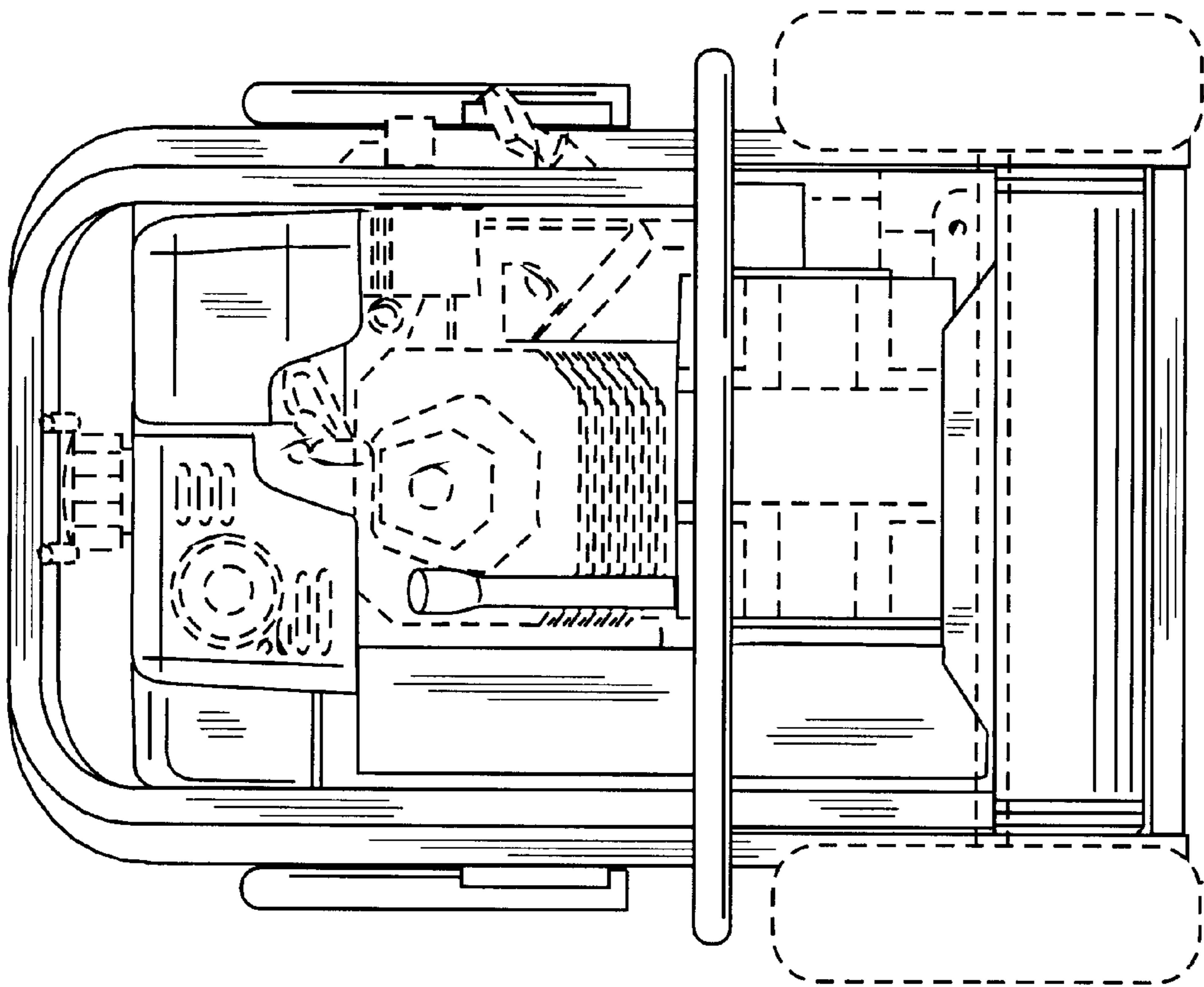


FIG. 7