



US00D450054B1

(12) **United States Design Patent**
Dworkin

(10) **Patent No.:** **US D450,054 S**

(45) **Date of Patent:** **** Nov. 6, 2001**

(54) **HAND HELD ORGANIZER COVER PLATE**

5,973,915 10/1999 Evans 361/681

(76) Inventor: **Larissa Dworkin**, P.O. Box 1163,
Monroe, NY (US) 10950

* cited by examiner

(**) Term: **14 Years**

Primary Examiner—Freda Nunn

(74) *Attorney, Agent, or Firm*—Goldstein Law Offices, P.C.

(21) Appl. No.: **29/131,328**

(57) **CLAIM**

(22) Filed: **Oct. 18, 2000**

The ornamental design for a hand held organizer cover plate,
as shown and described.

(51) **LOC (7) Cl.** **14-02**

DESCRIPTION

(52) **U.S. Cl.** **D14/443; D14/341**

(58) **Field of Search** D14/341–346,
D14/441–446, 432; D18/1, 2, 7; 235/145 A,
145 R; 341/22, 23; 345/156, 168, 169,
172, 173; 361/680–686

FIG. 1 is a perspective view of a hand held organizer cover plate in full lines with a hand held organizer shown in broken lines representing environmental association matter being for illustrative purposes only and forming no part of the claimed invention.

(56) **References Cited**

FIG. 2 is a top plan view of the hand held organizer cover plate.

U.S. PATENT DOCUMENTS

FIG. 3 is a bottom plan view thereof.

D. 397,679 * 9/1998 Hawkins et al. D14/342

FIG. 4 is a left side elevational view thereof.

D. 404,197 1/1999 Dobbins D3/230

FIG. 5 is a right side elevational view thereof.

D. 418,119 12/1999 Rowell D14/114

FIG. 6 is a front elevational view thereof; and,

D. 423,468 * 4/2000 Jenkins D14/342

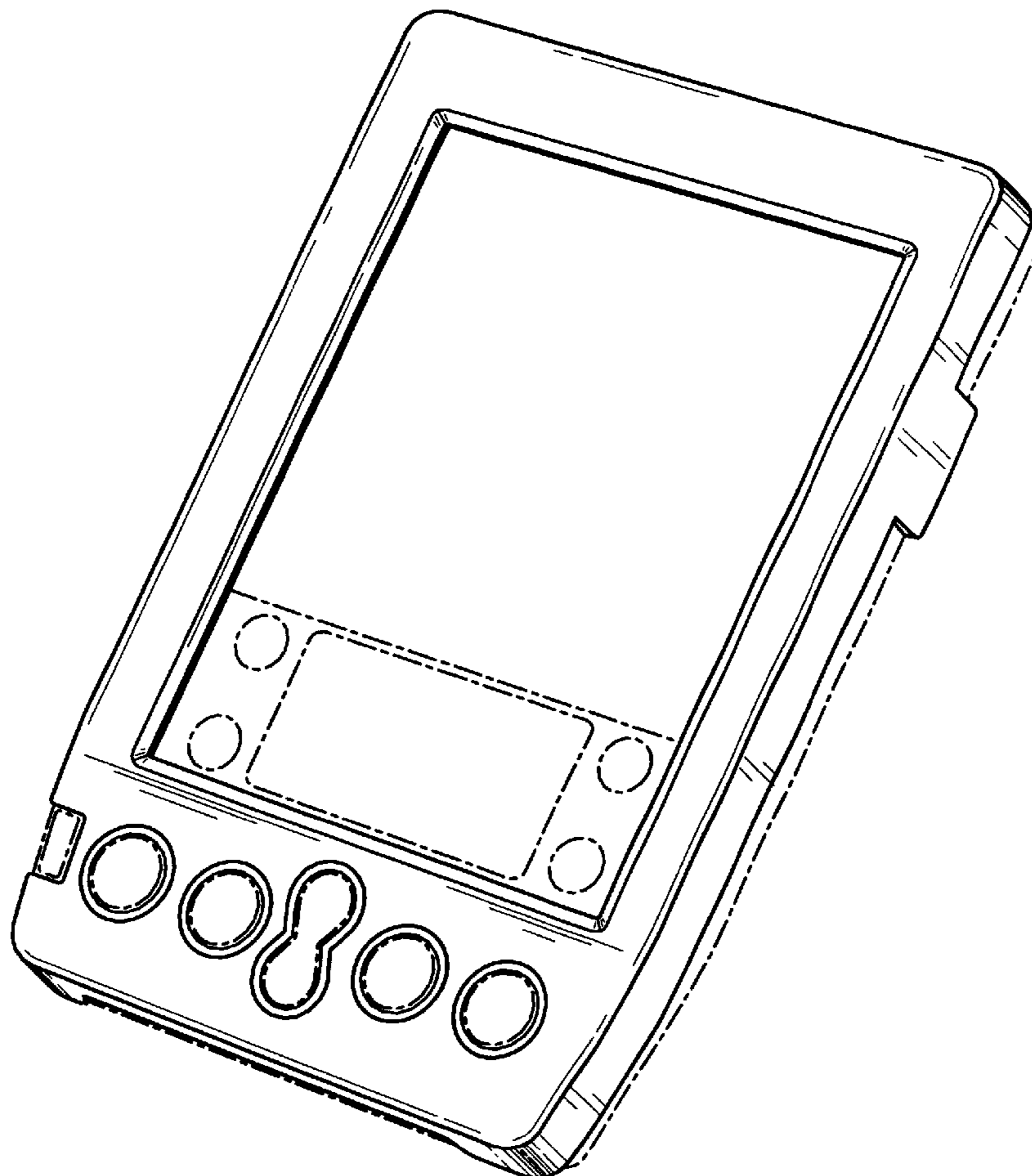
FIG. 7 is a rear elevational view thereof.

D. 434,034 * 11/2000 Burke et al. D14/341

5,884,772 3/1999 Floyd et al. 206/701

5,949,408 9/1999 Kang et al. 345/169

1 Claim, 3 Drawing Sheets



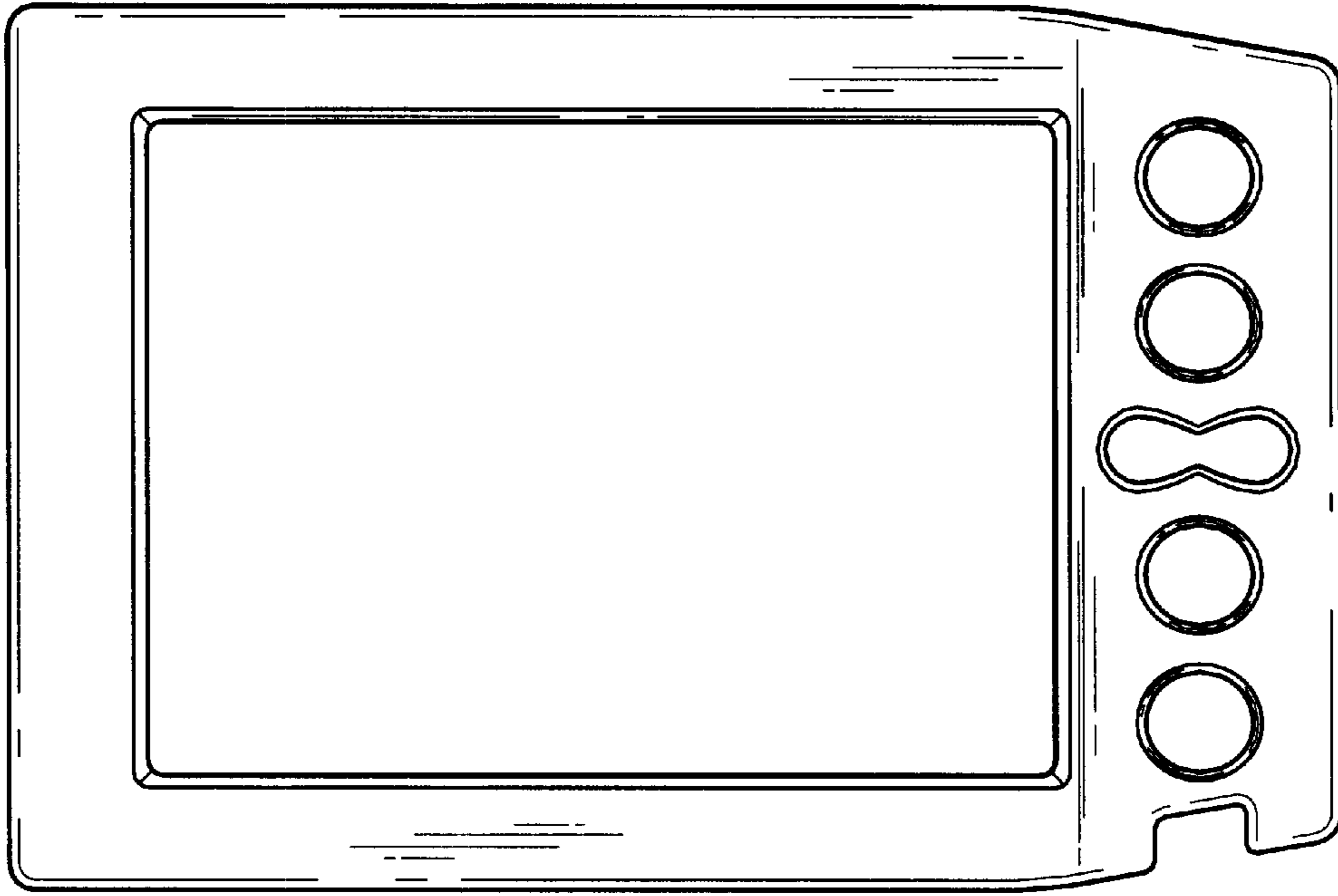


Fig. 2

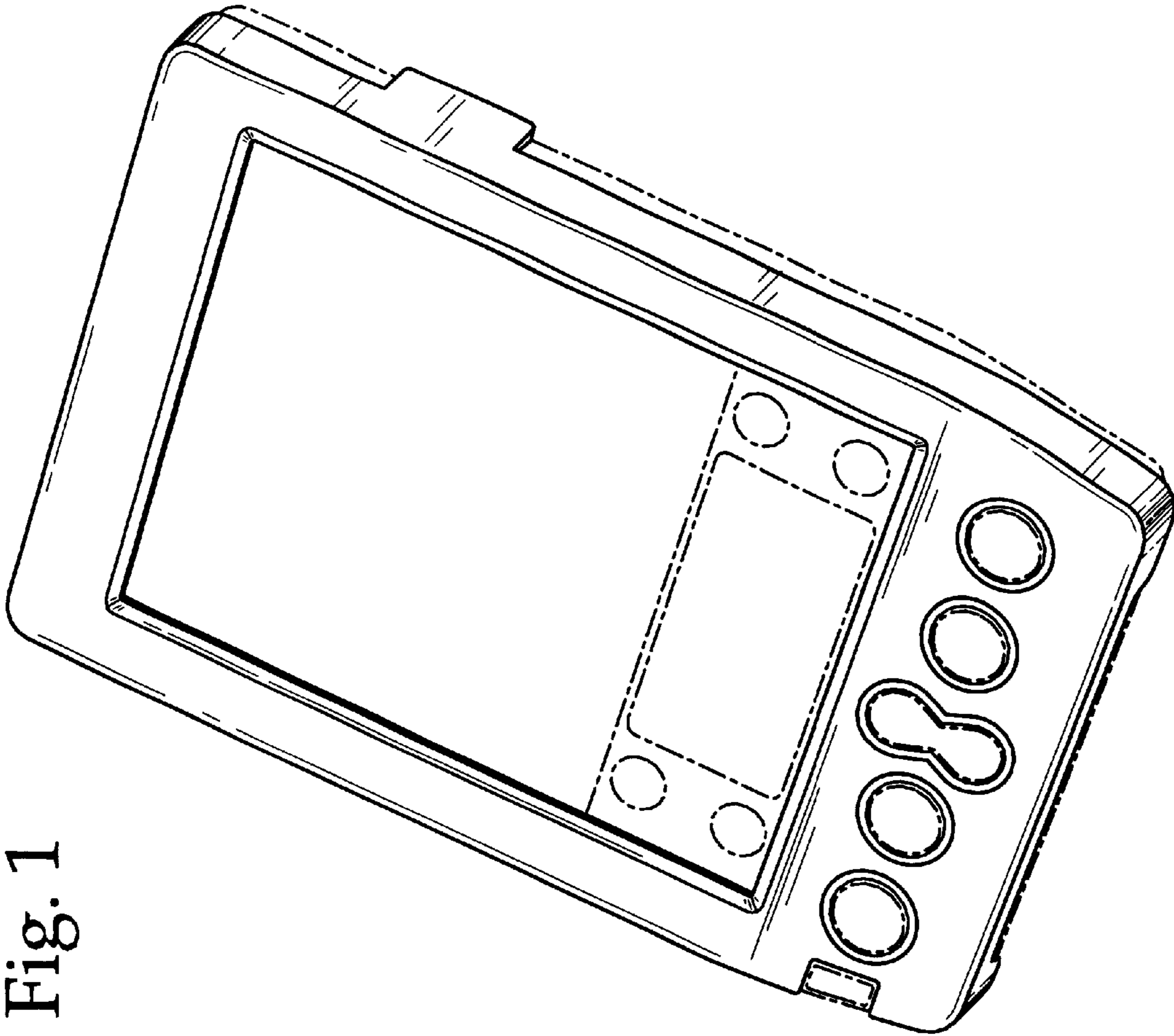


Fig. 1

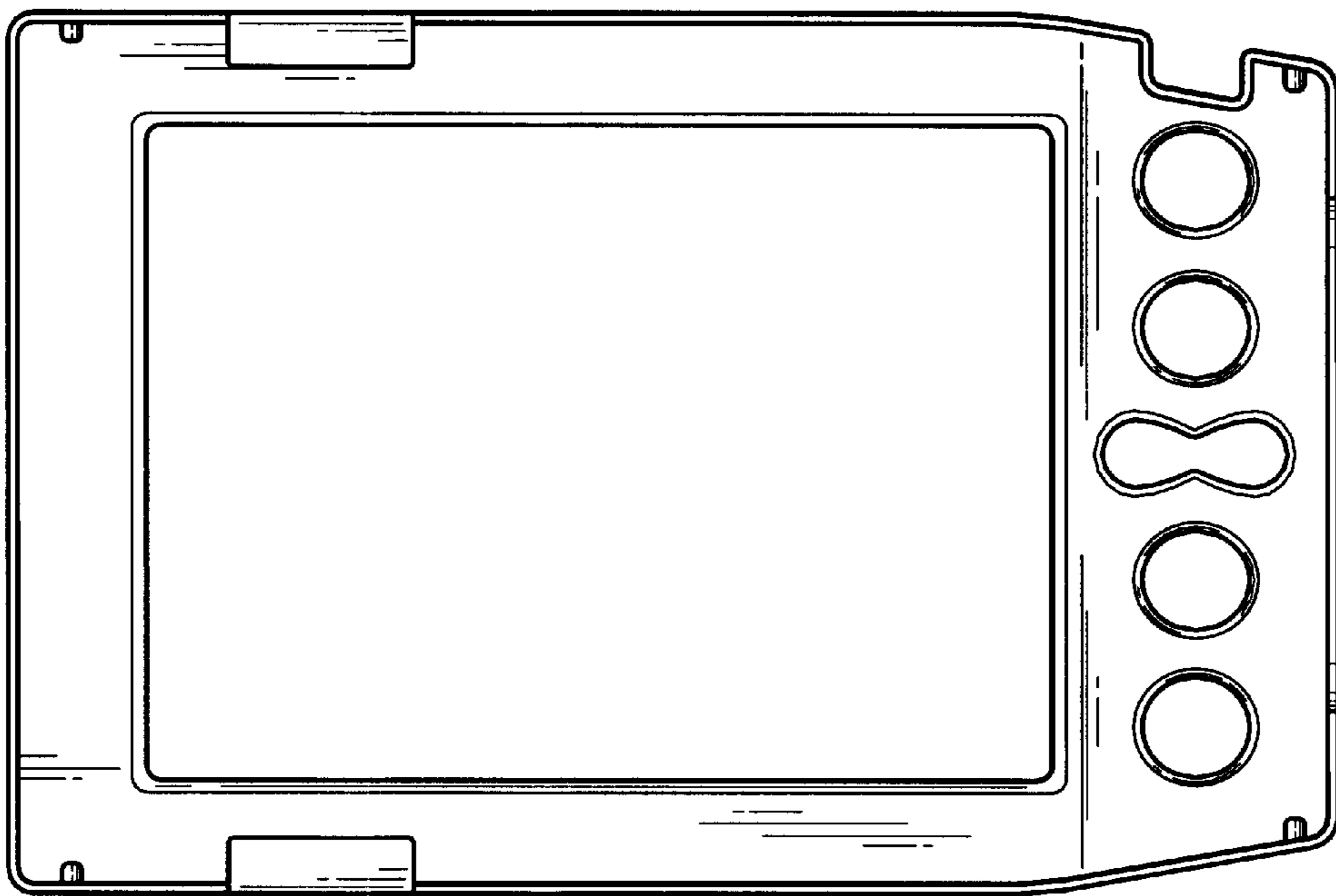


Fig. 3



Fig. 4



Fig. 5

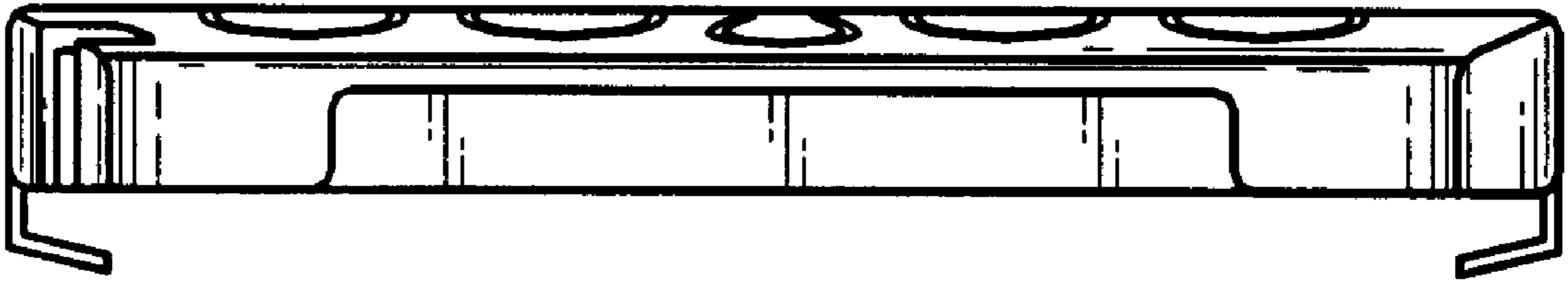


Fig. 6

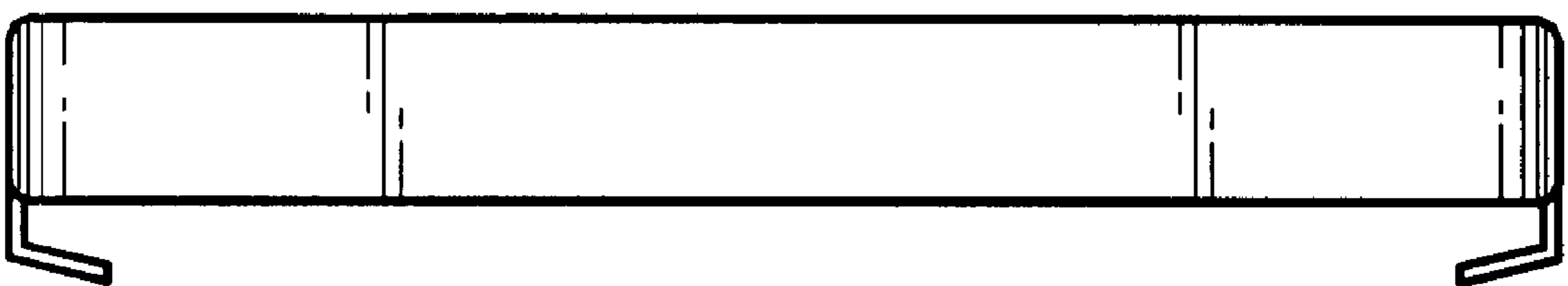


Fig. 7