



US00D450053B1

(12) **United States Design Patent**
Bush et al.

(10) **Patent No.:** **US D450,053 S**

(45) **Date of Patent:** **** Nov. 6, 2001**

(54) **CARTRIDGE**

D. 424,048 * 5/2000 Iftikar et al. D14/435
D. 426,241 * 6/2000 Schick et al. D14/435

(75) Inventors: **Stephan Gary Bush**, Sharonville;
Michael Sean Farrell, Maineville, both
of OH (US); **John Edward Sheppard**,
Market Harborough (GB)

* cited by examiner

Primary Examiner—Kay H. Chin
(74) *Attorney, Agent, or Firm*—Jeffrey V. Bamber

(73) Assignee: **The Procter & Gamble Company**,
Cincinnati, OH (US)

(57) **CLAIM**

(**) Term: **14 Years**

The ornamental design for a cartridge, as shown and
described.

(21) Appl. No.: **29/133,723**

DESCRIPTION

(22) Filed: **Dec. 5, 2000**

(51) **LOC (7) Cl.** **14-02**

(52) **U.S. Cl.** **D14/435**

(58) **Field of Search** D14/432, 435;
360/60, 129, 132, 133, 135, 97.01–99.12;
206/307, 312, 308.1, 308.2, 472; 369/291,
273, 77.2; 463/29, 44, 43

FIG. 1 is a rear view of a cartridge, embodying our new
design;

FIG. 2 is a side elevational view thereof, the opposite side
elevated view being the same;

FIG. 3 is a top view thereof;

FIG. 4 is a front view thereof;

FIG. 5 is a back view thereof; and,

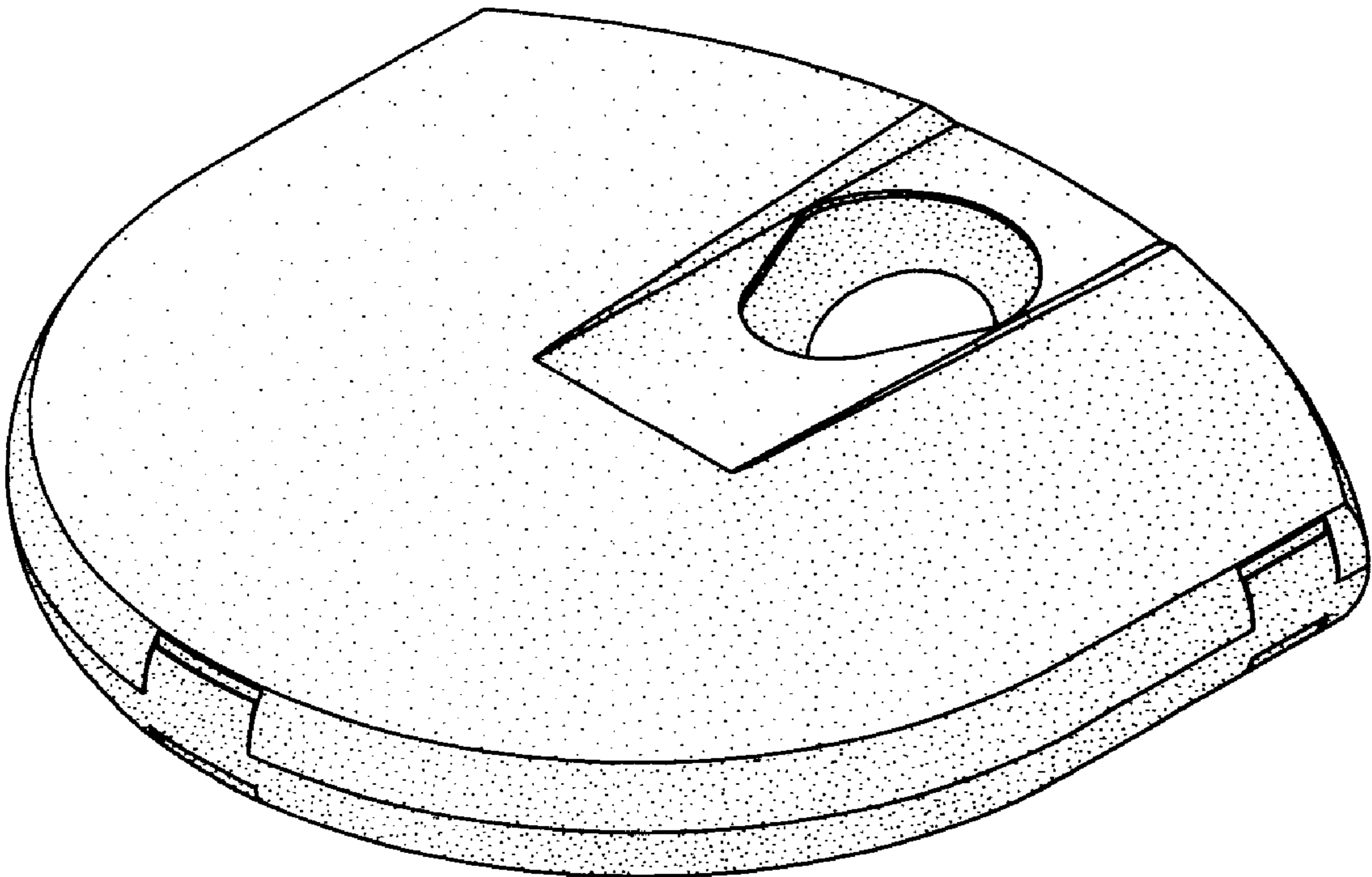
FIG. 6 is a perspective view thereof.

(56) **References Cited**

U.S. PATENT DOCUMENTS

D. 412,165 * 7/1999 Niitsu D14/435

1 Claim, 2 Drawing Sheets



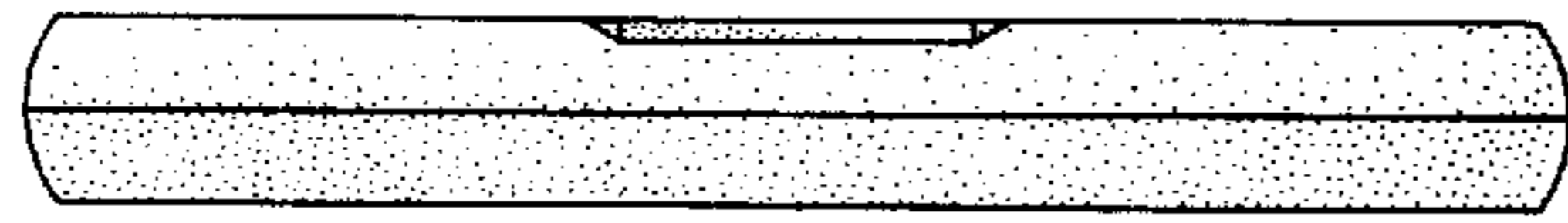


Fig. 1

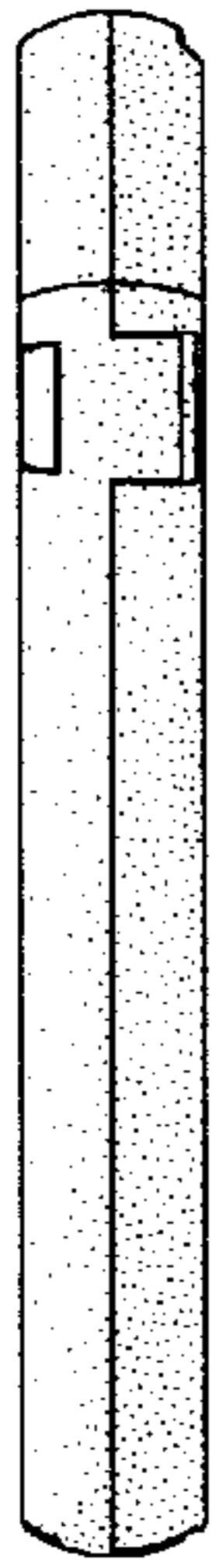


Fig. 2

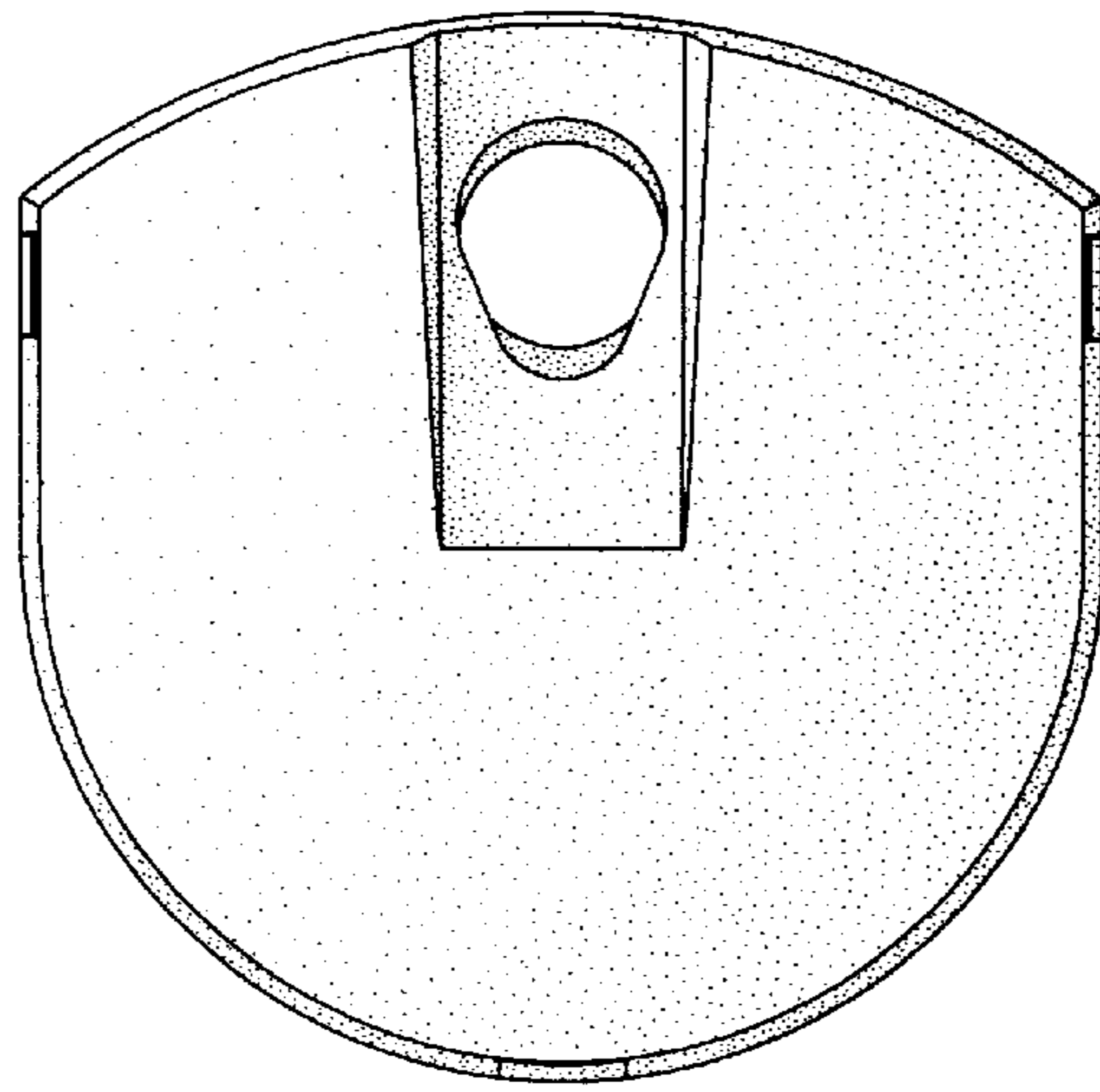


Fig. 3

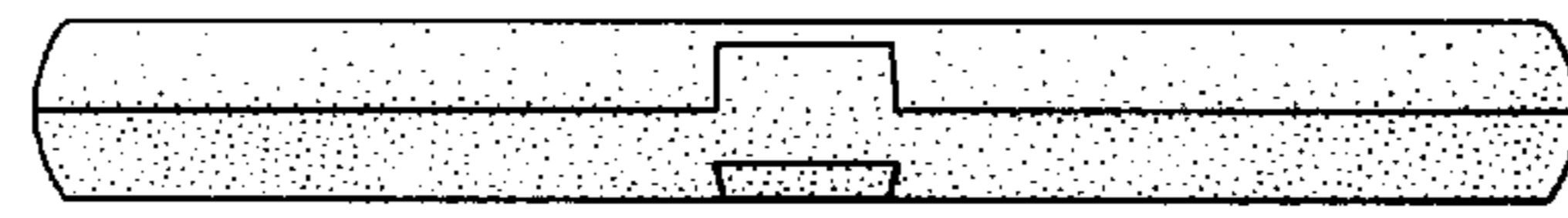


Fig. 4

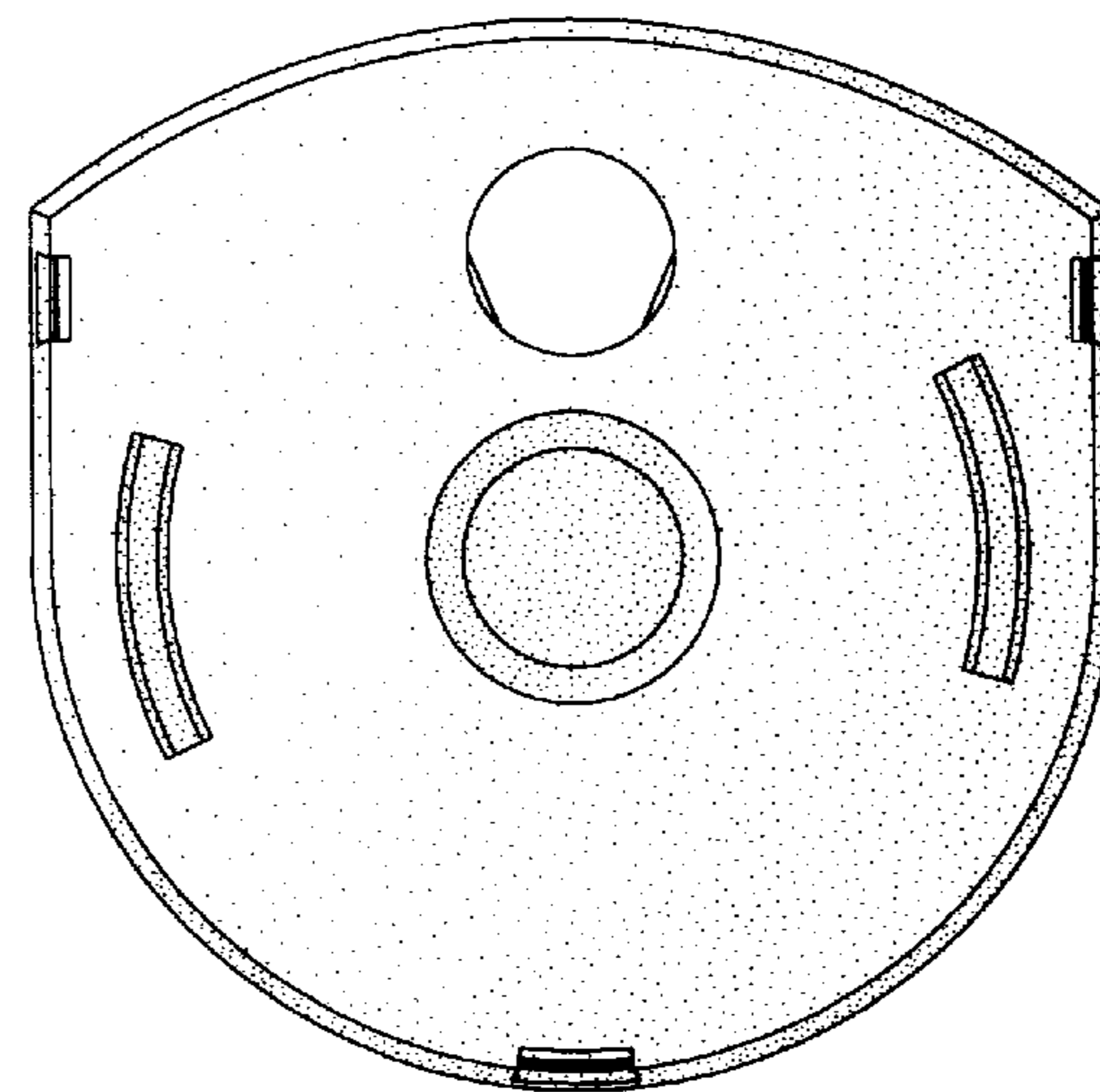


Fig. 5

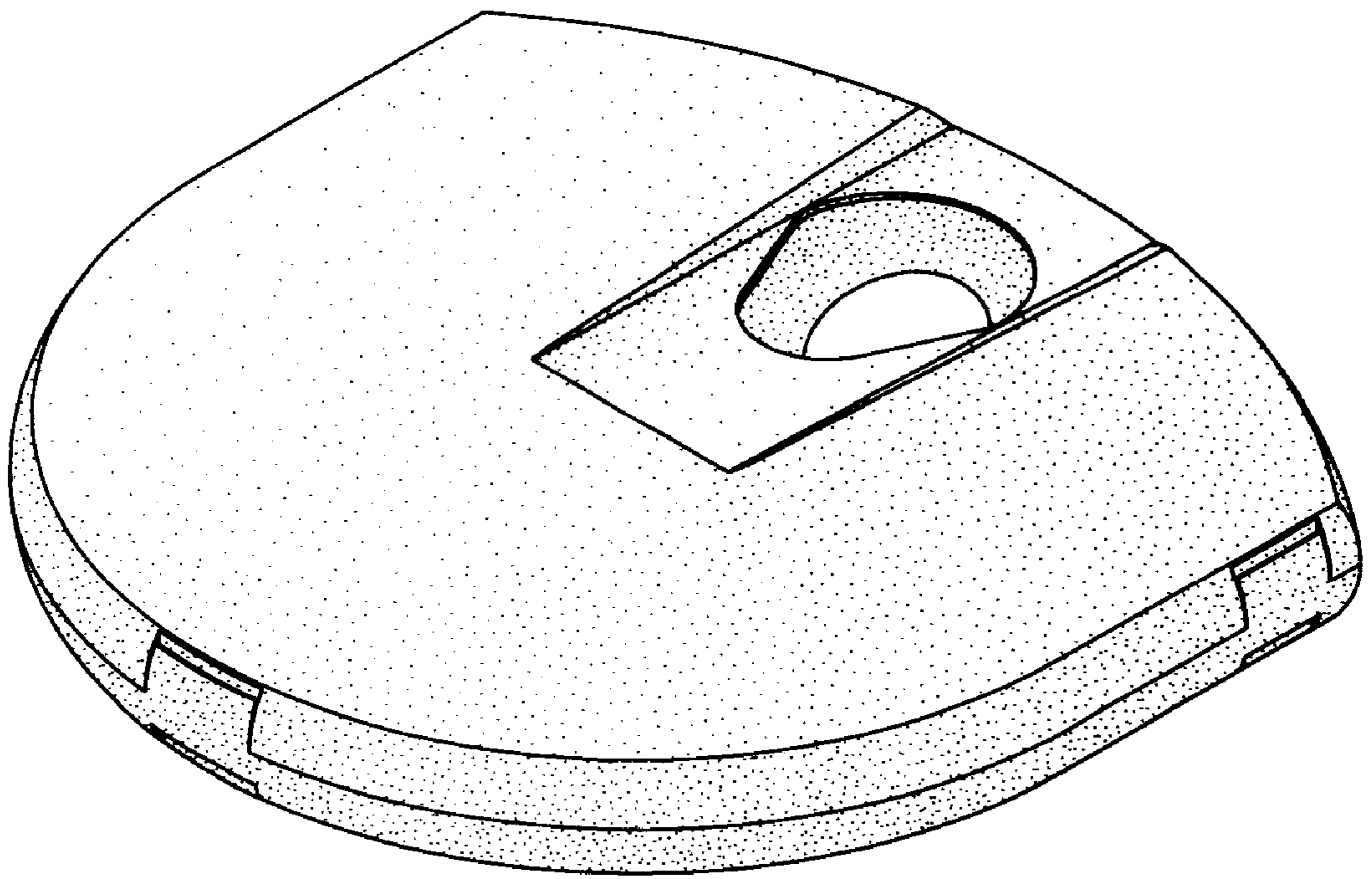


Fig. 6