



US00D450049B1

(12) **United States Design Patent**
Lacotta et al.

(10) **Patent No.: US D450,049 S**

(45) **Date of Patent: ** *Nov. 6, 2001**

(54) **CLOCK RADIO**

(75) Inventors: **Paul Lacotta**, Glen Rock, NJ (US);
Mitra Leyde, New York, NY (US);
William C. Fiebel, Clifton, NJ (US)

(73) Assignee: **Refac International Ltd.**, Edgewater,
NJ (US)

(*) Notice: This patent is subject to a terminal dis-
claimer.

(**) Term: **14 Years**

(21) Appl. No.: **29/116,052**

(22) Filed: **Dec. 23, 1999**

(51) **LOC (7) Cl.** **14-01**

(52) **U.S. Cl.** **D14/171**

(58) **Field of Search** D10/2, 15; D14/168,
D14/170, 171, 188, 189, 193-198; 455/344,
350, 351

(56) **References Cited**

U.S. PATENT DOCUMENTS

D. 215,675 * 10/1969 Yran D14/195
D. 240,270 * 6/1976 Kawano D14/171
D. 378,371 * 3/1997 Mak D14/194

D. 381,985 * 8/1997 Maeyama D14/194
D. 384,957 * 10/1997 Lee D14/171
D. 385,561 * 10/1997 Audoin D14/171
D. 417,215 * 11/1999 Kokkinis D14/171

OTHER PUBLICATIONS

Photographs of Grundig SonoClock 186, undated.

* cited by examiner

Primary Examiner—Nanda Bondade

(74) *Attorney, Agent, or Firm*—Cobrin & Gittes

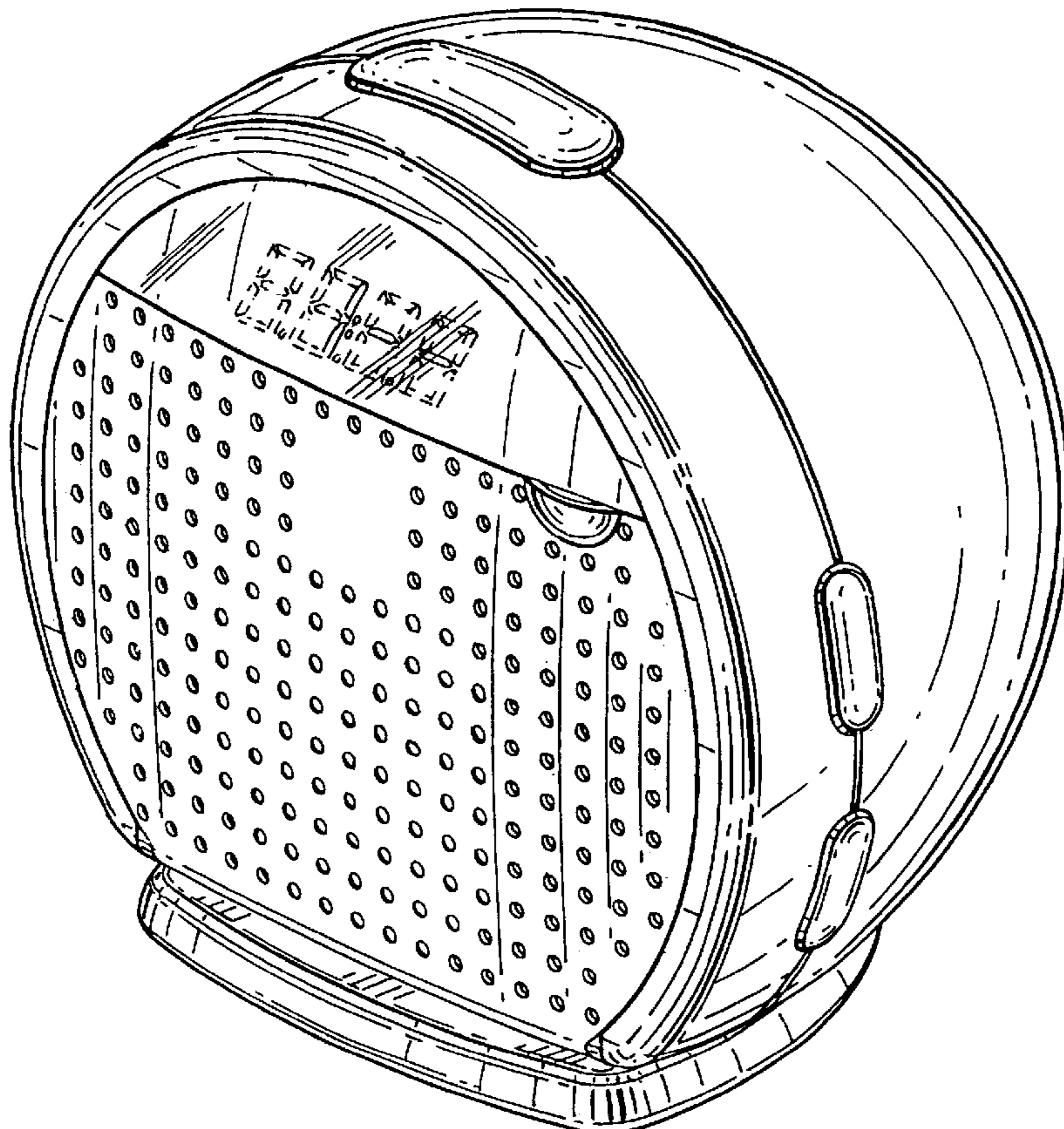
(57) **CLAIM**

The ornamental design for a clock radio, as shown and
described.

DESCRIPTION

FIG. 1 is a front perspective view of a clock radio;
FIG. 2 is a front perspective view thereof with the front
access panel in the open position;
FIG. 3 is a front elevation view thereof;
FIG. 4 is a left side elevation view thereof;
FIG. 5 is a right side elevation view thereof;
FIG. 6 is a rear side elevation view thereof;
FIG. 7 is a top plan view thereof; and,
FIG. 8 is a bottom plan view thereof.

1 Claim, 8 Drawing Sheets



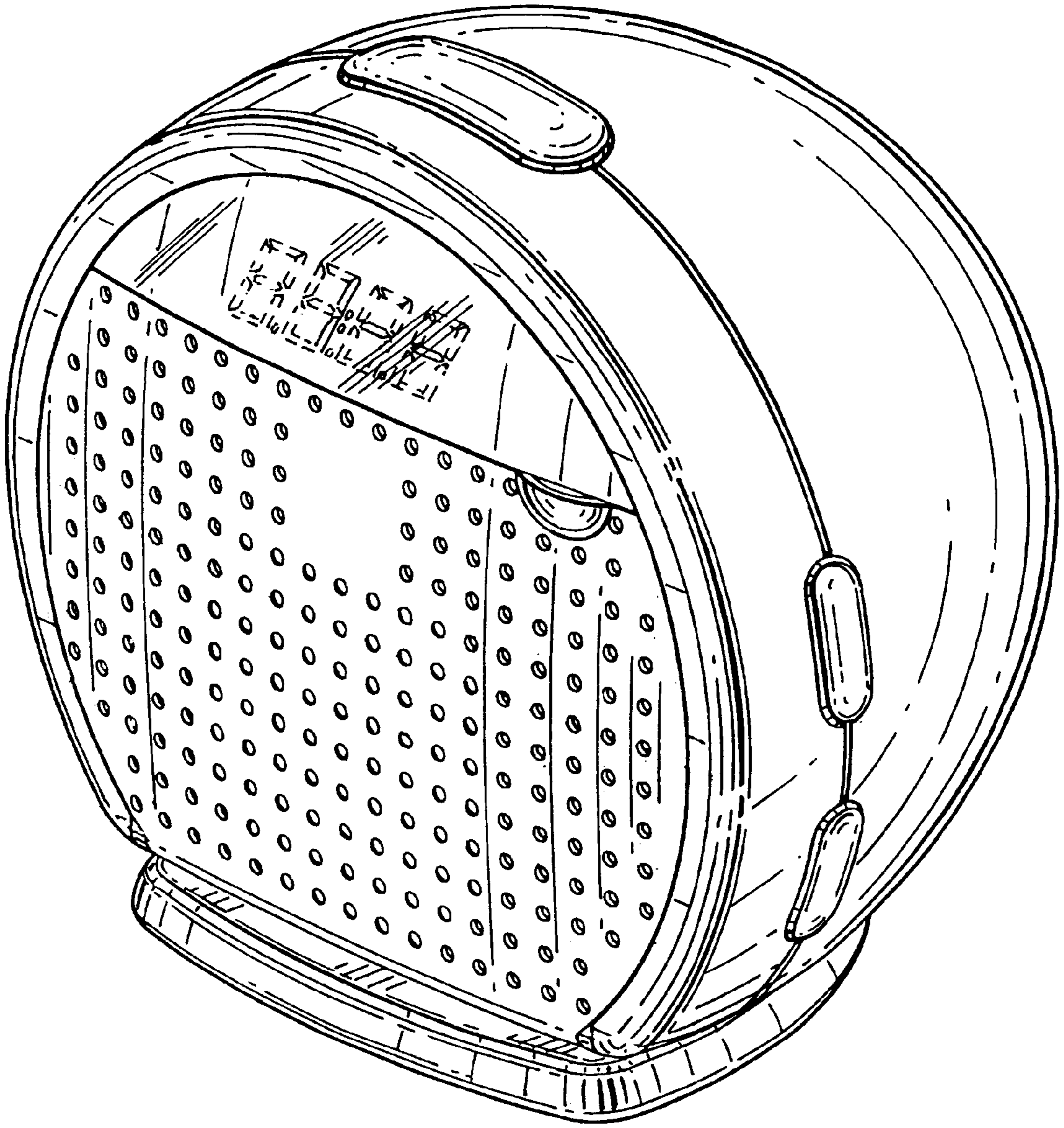


FIG. 1

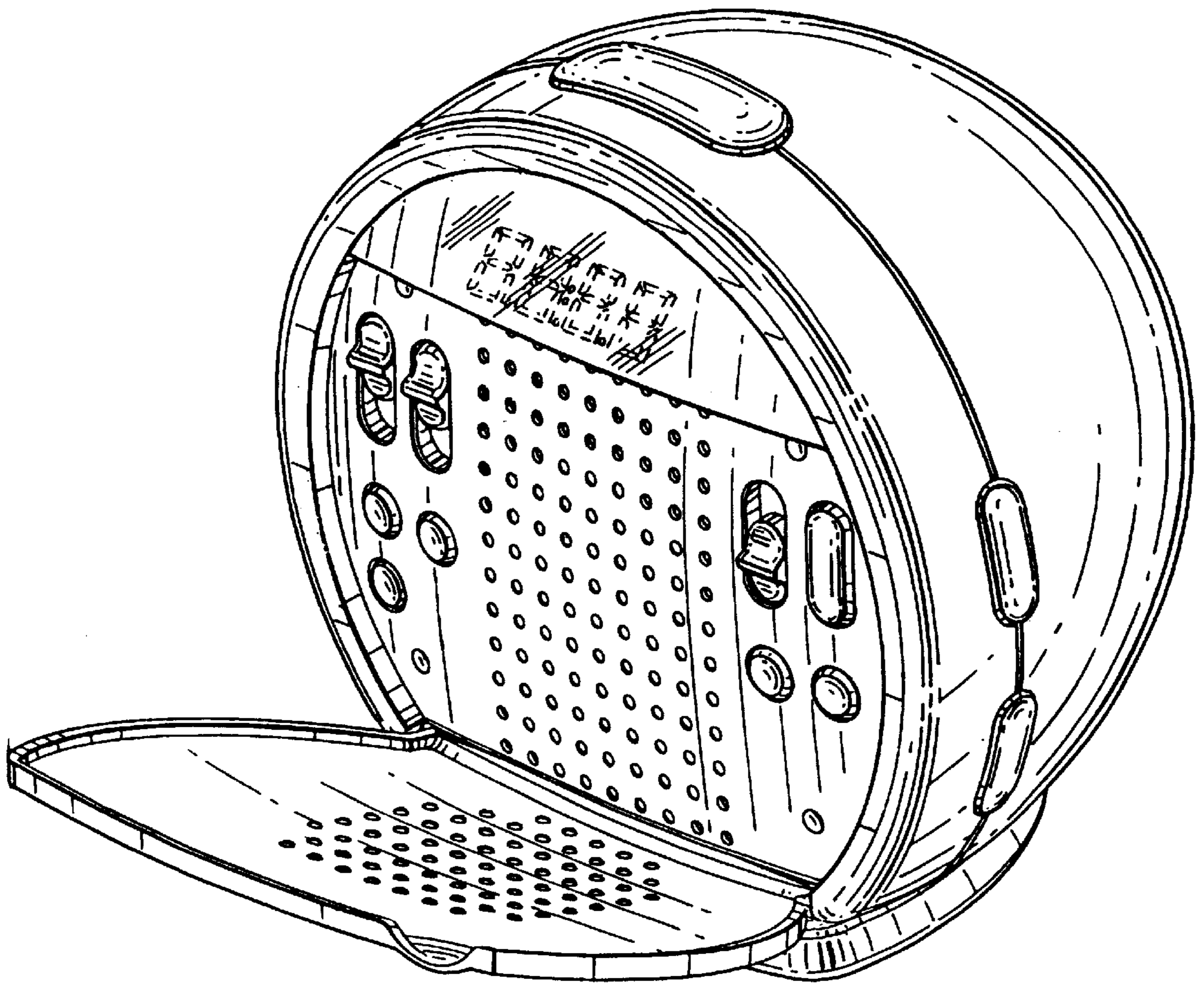


FIG. 2

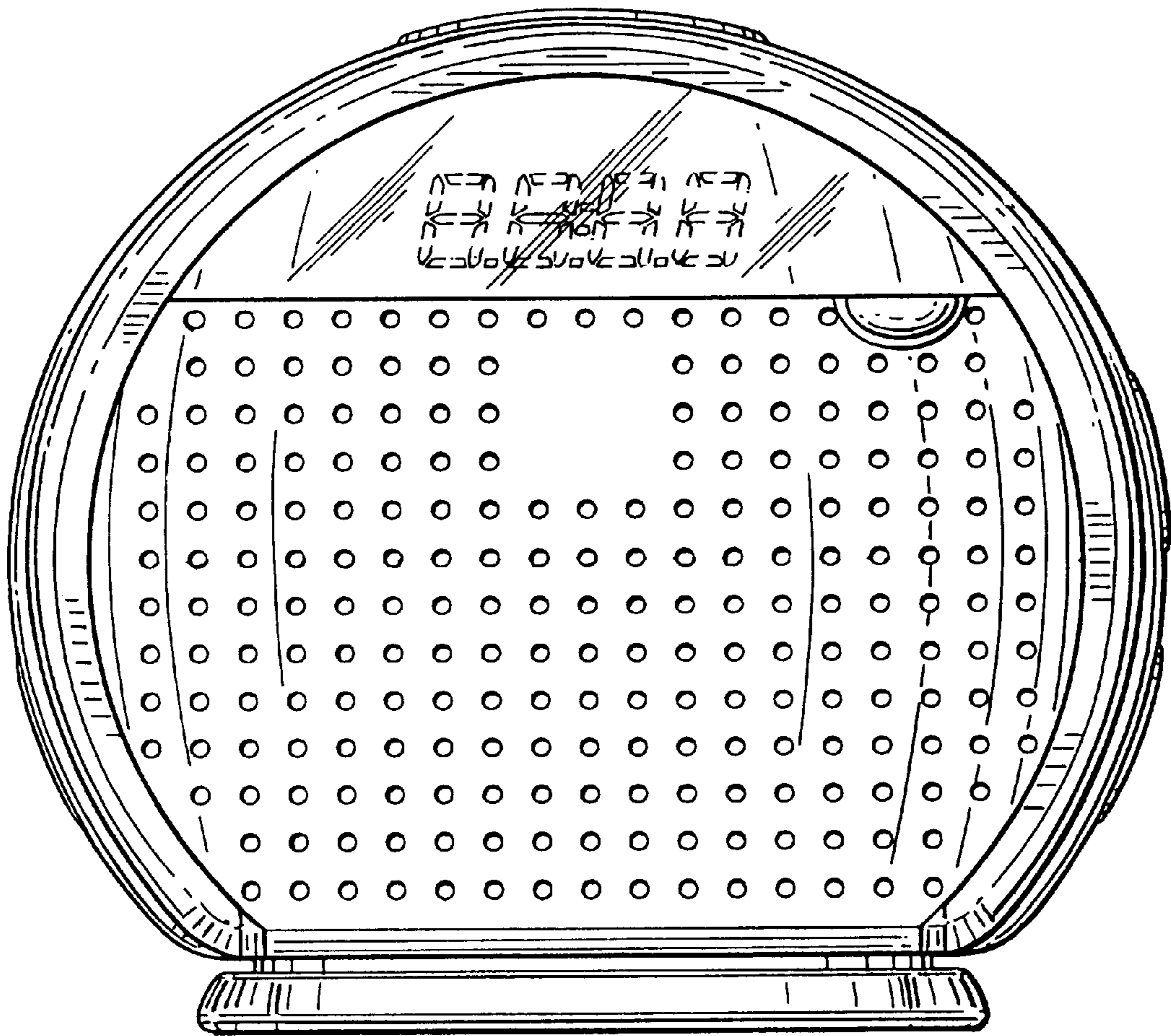


FIG. 3

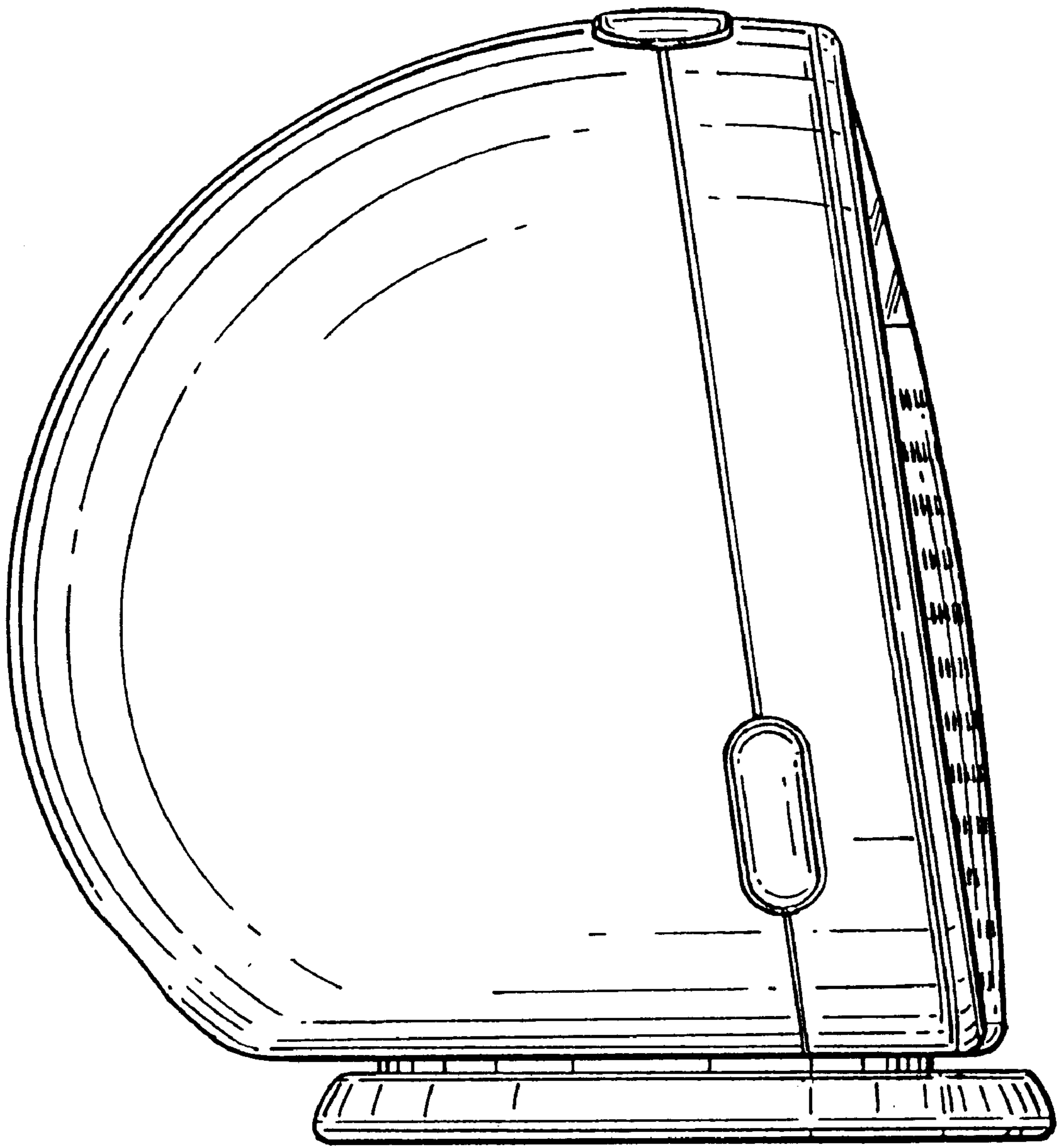


FIG. 4

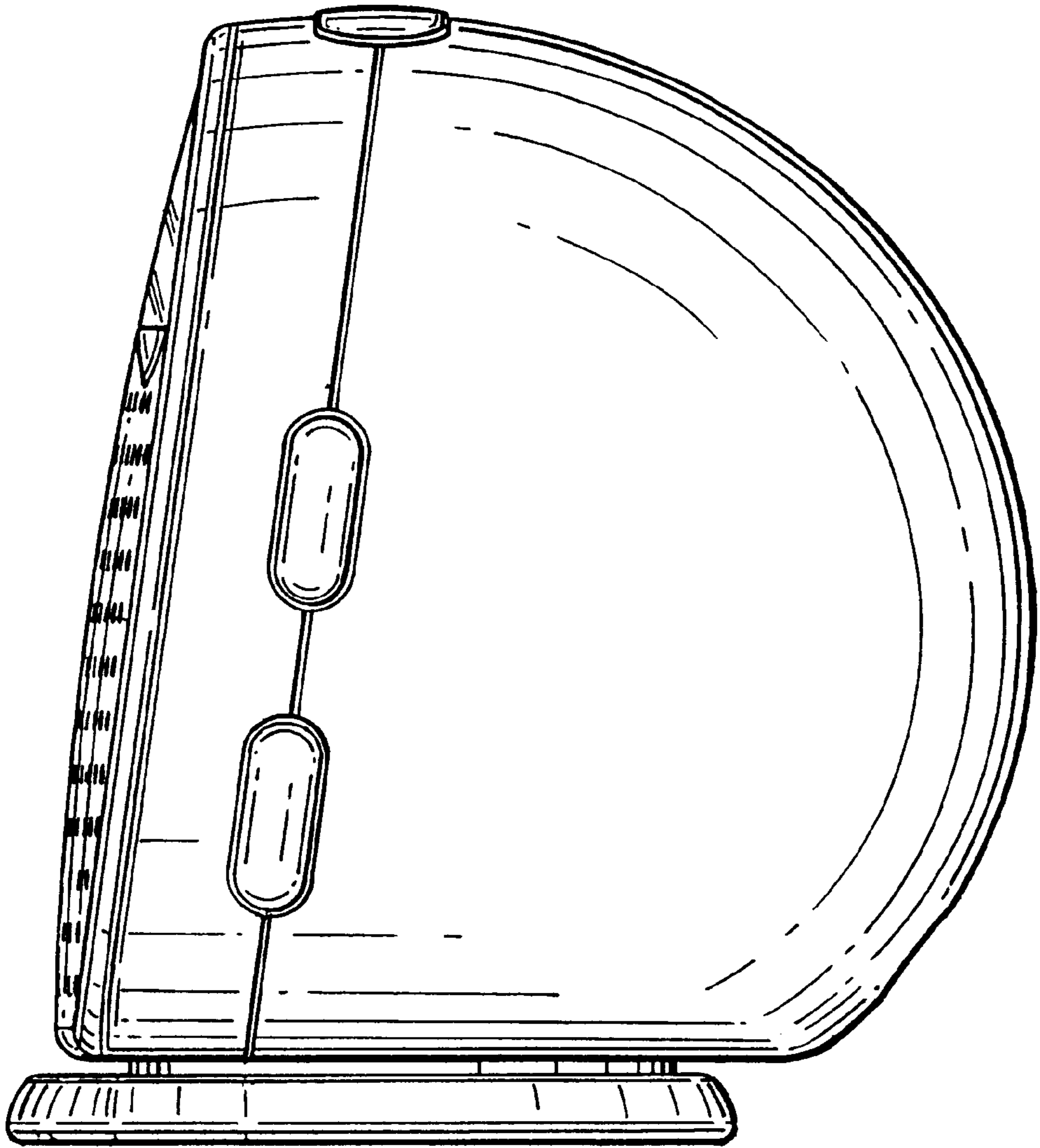


FIG. 5

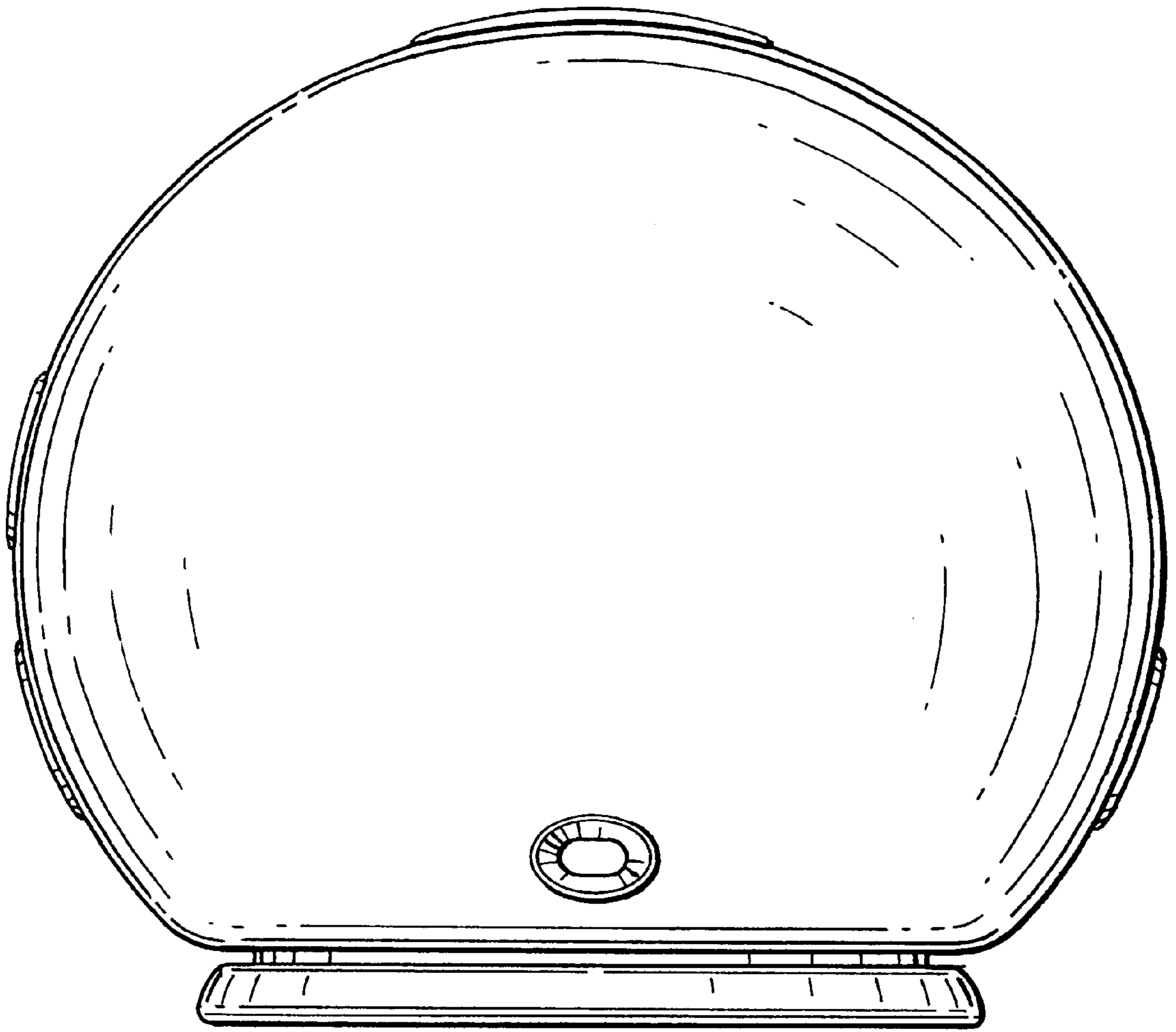


FIG. 6

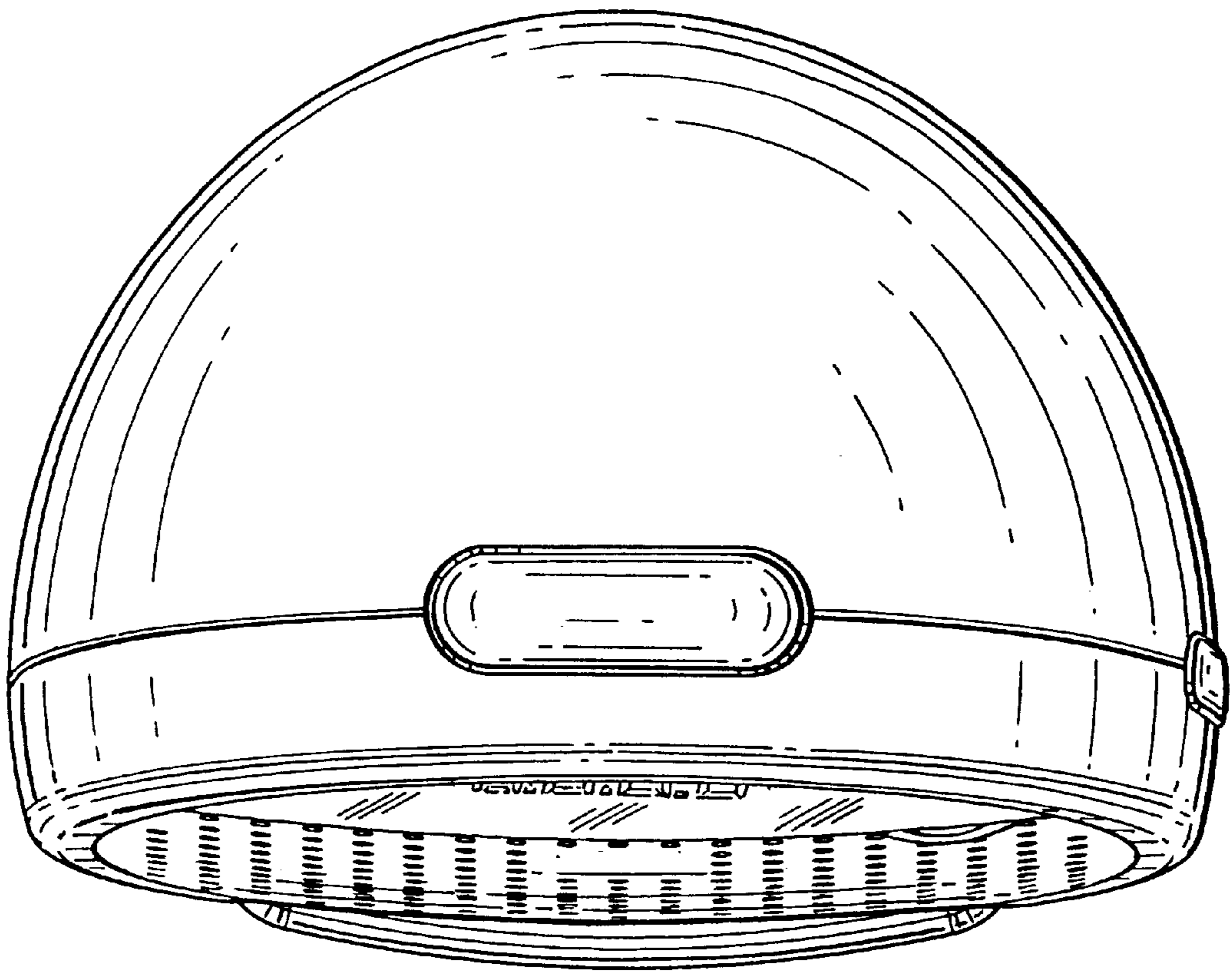


FIG. 7

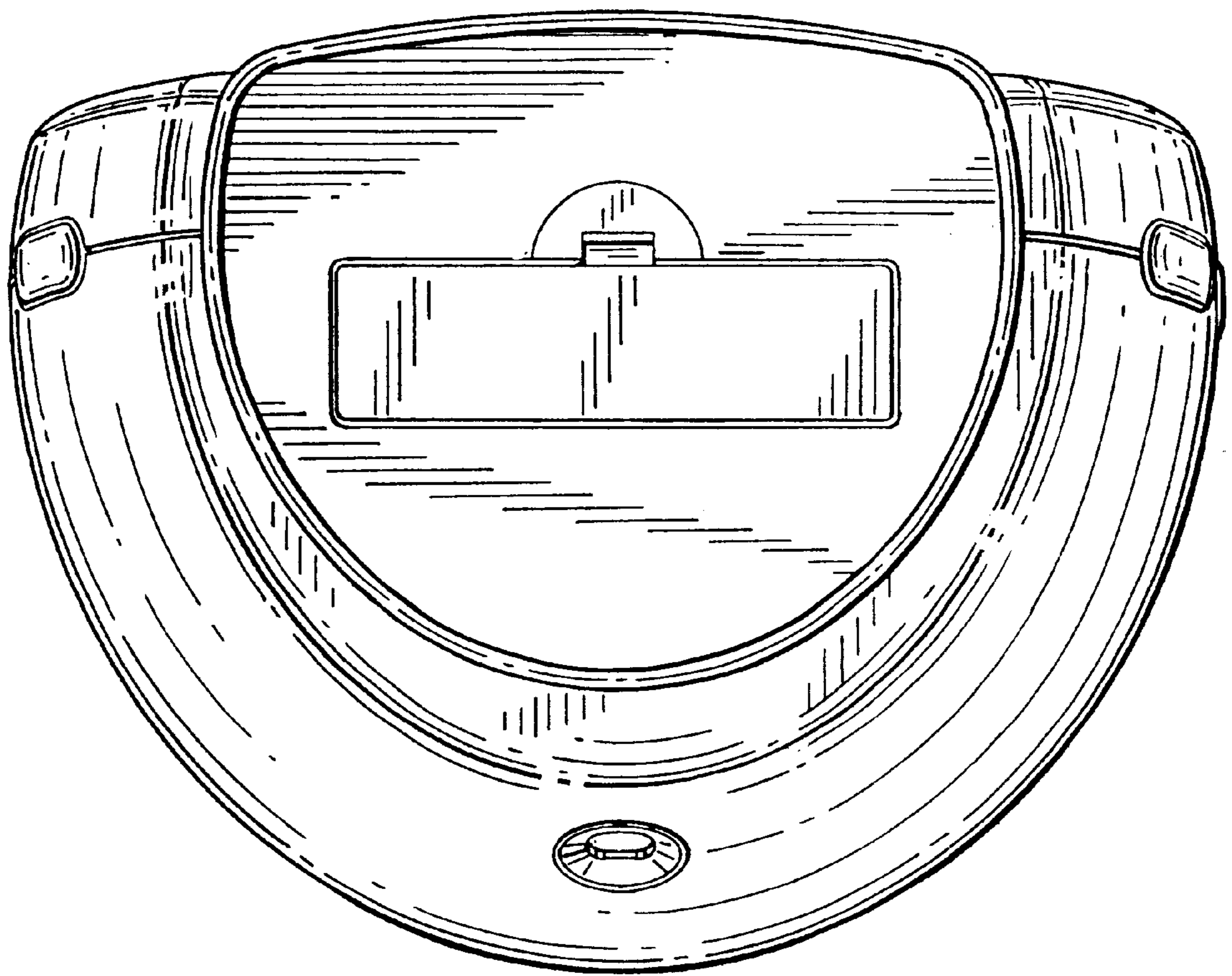


FIG. 8