



US00D450045B1

(12) **United States Design Patent**
Yang

(10) **Patent No.:** **US D450,045 S**

(45) **Date of Patent:** **** Nov. 6, 2001**

(54) **THERMAL PROTECTOR HOUSING**

5,804,798 * 9/1998 Takeda 219/511
6,108,206 * 8/2000 Criniti et al. 361/704

(75) Inventor: **Wen Ho Yang**, Taipei Hsien (TW)

* cited by examiner

(73) Assignee: **Sun Lite Sockets Industry Inc.**,
Taoyuan Hsien (TW)

Primary Examiner—James Gandy

Assistant Examiner—Daniel Bui

(**) Term: **14 Years**

(74) *Attorney, Agent, or Firm*—Bacon & Thomas, PLC

(21) Appl. No.: **29/132,376**

(57) **CLAIM**

(22) Filed: **Nov. 16, 2000**

The ornamental design for a thermal protector housing, as shown and described.

(51) **LOC (7) Cl.** **13-03**

DESCRIPTION

(52) **U.S. Cl.** **D13/184**

(58) **Field of Search** D13/184, 160;
174/48-49, 50-67, 65 R, 58; 219/511; 62/371;
312/223.1, 223.2, 724, 829; 337/347; 361/103,
704; 379/399; 439/702, 456, 457; 200/553

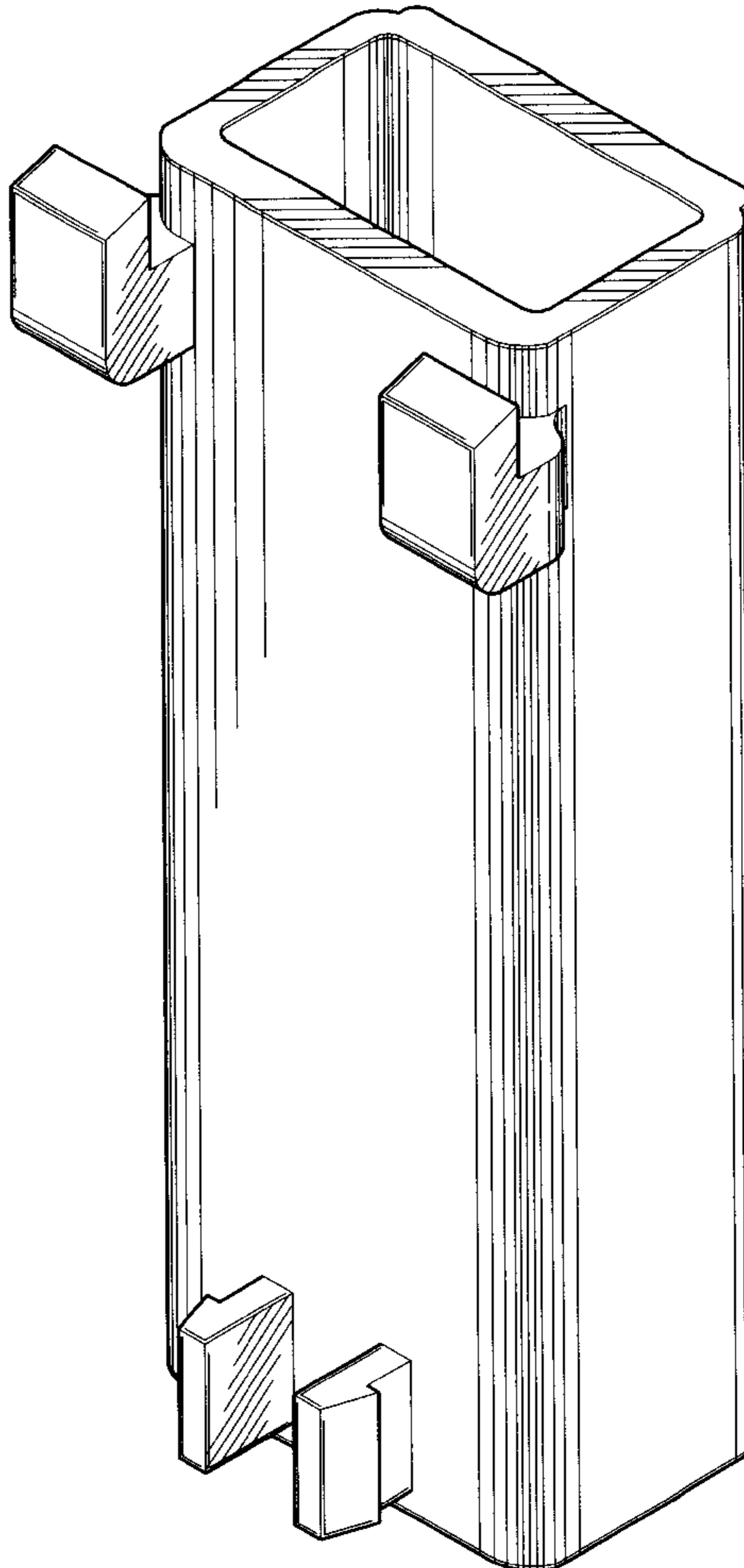
FIG. 1 is a perspective view of a thermal protector housing showing my new design;
FIG. 2 is a right side elevational view thereof;
FIG. 3 is a top plan view thereof;
FIG. 4 is a front elevational view thereof;
FIG. 5 is a bottom plan view thereof;
FIG. 6 is a left side elevational view thereof; and,
FIG. 7 is a rear elevational view thereof; and,
FIG. 8 is a sectional view taken along the line 8—8 in FIG. 3.

(56) **References Cited**

U.S. PATENT DOCUMENTS

- D. 328,284 * 7/1992 Brenner D13/160
- 4,019,340 * 4/1977 Conklin 62/371
- 5,126,510 * 6/1992 Bauer et al. 174/52.1
- 5,463,522 * 10/1995 Van Wagener et al. 361/103

1 Claim, 7 Drawing Sheets



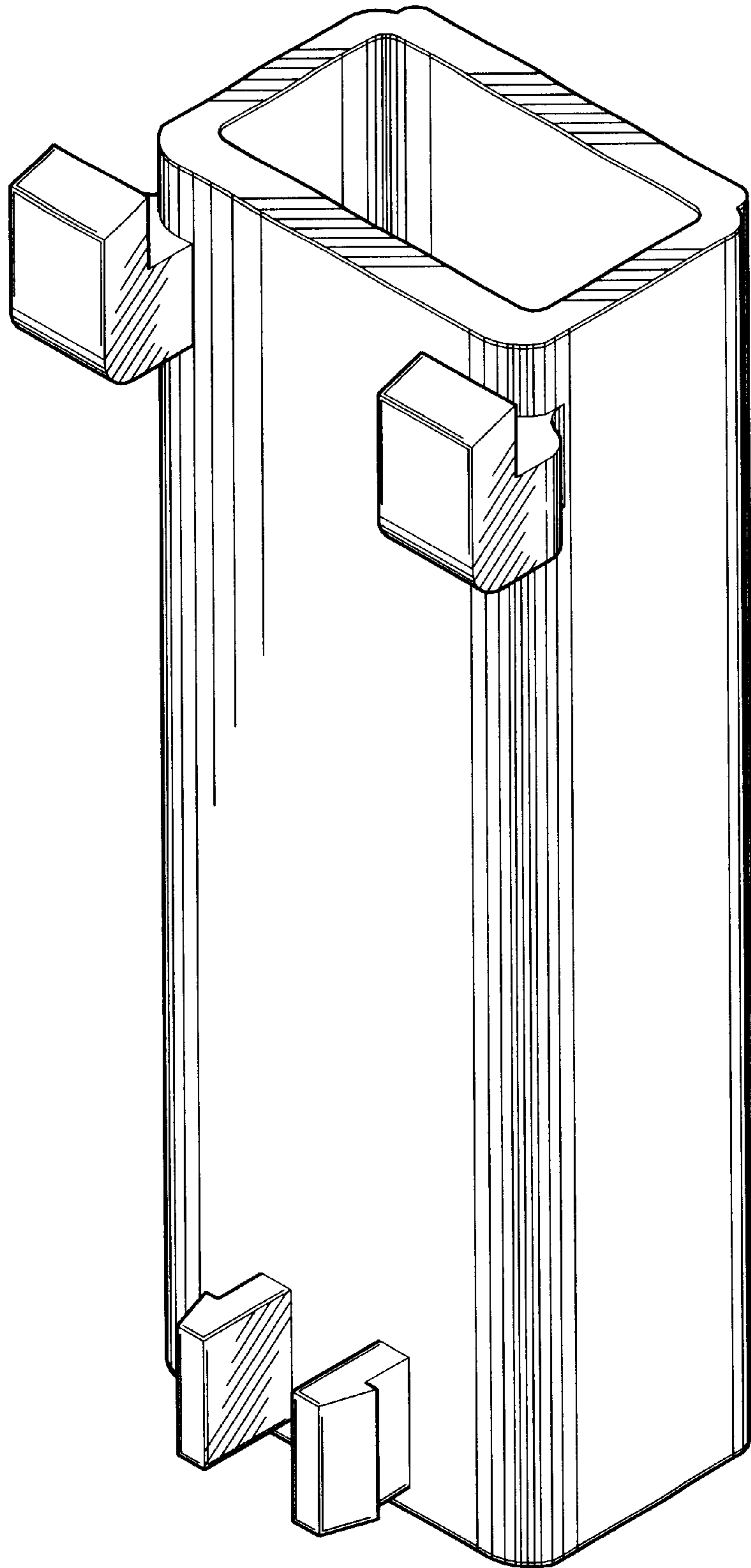


FIG. 1

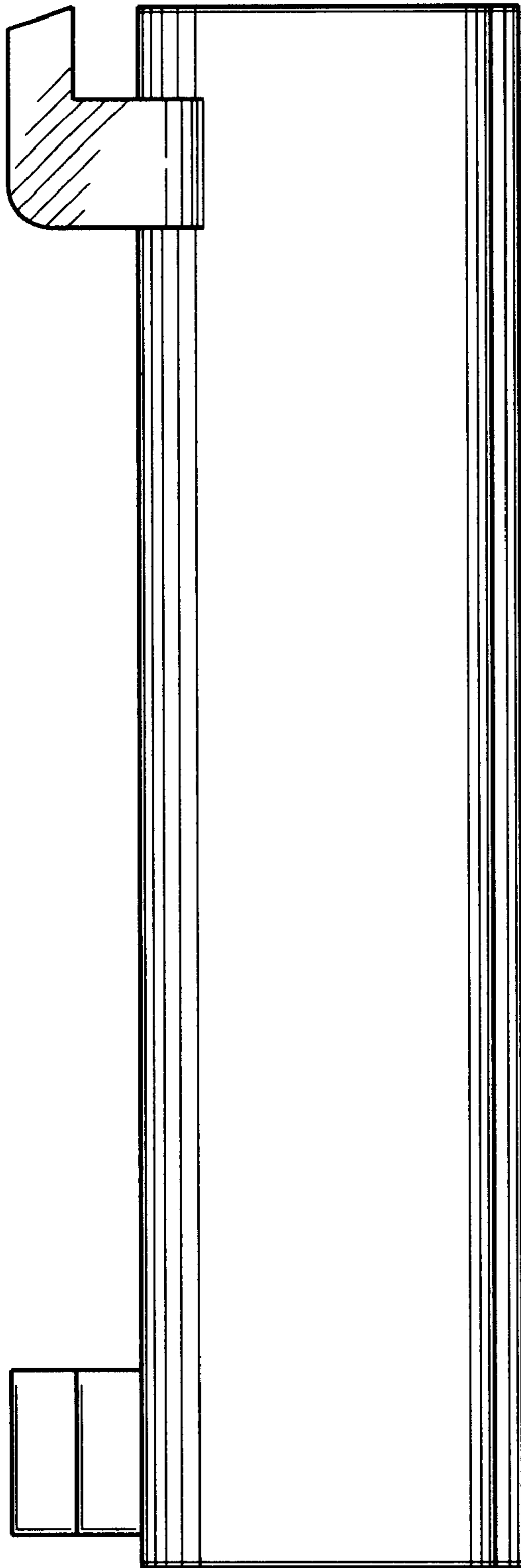


FIG. 2

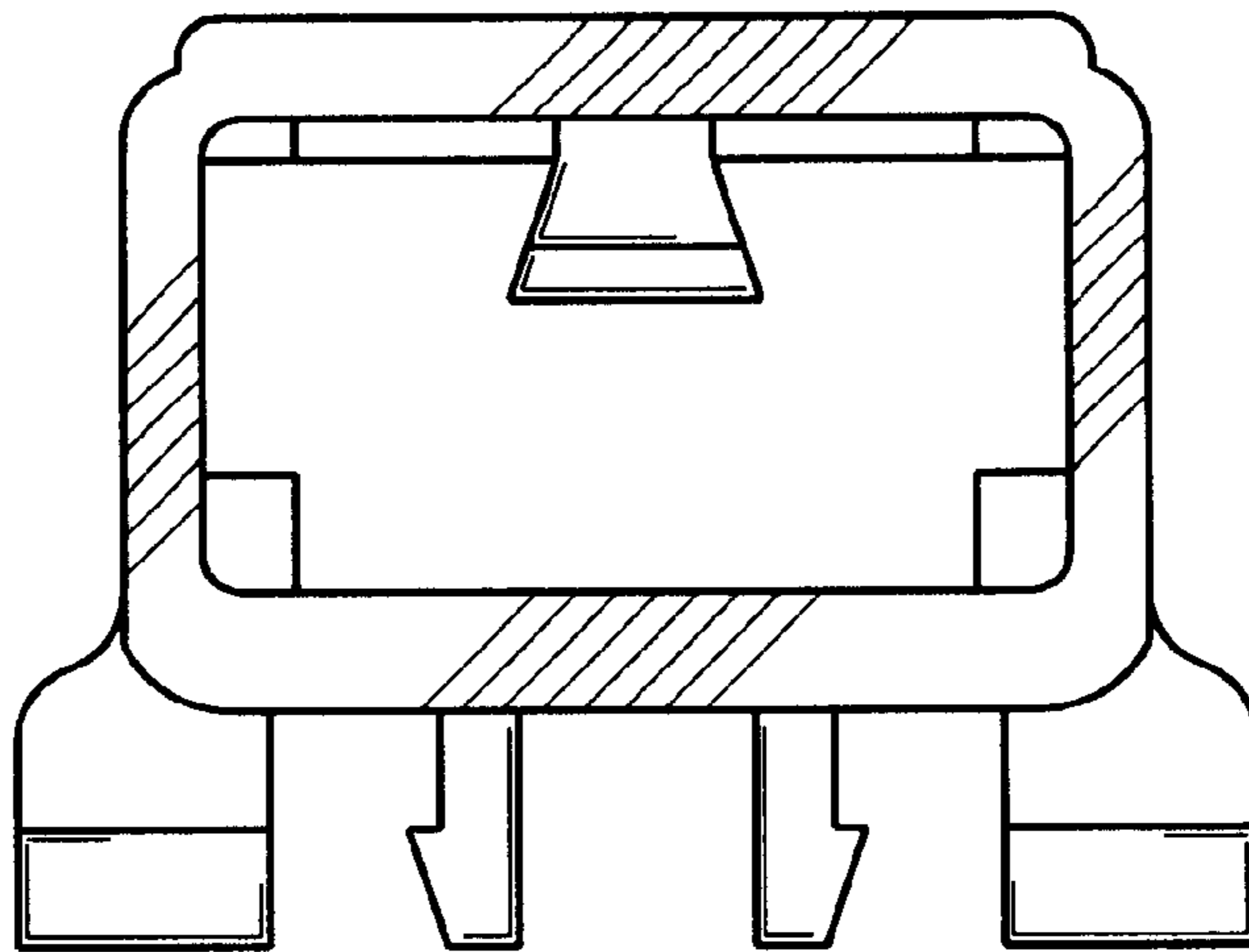


FIG. 3

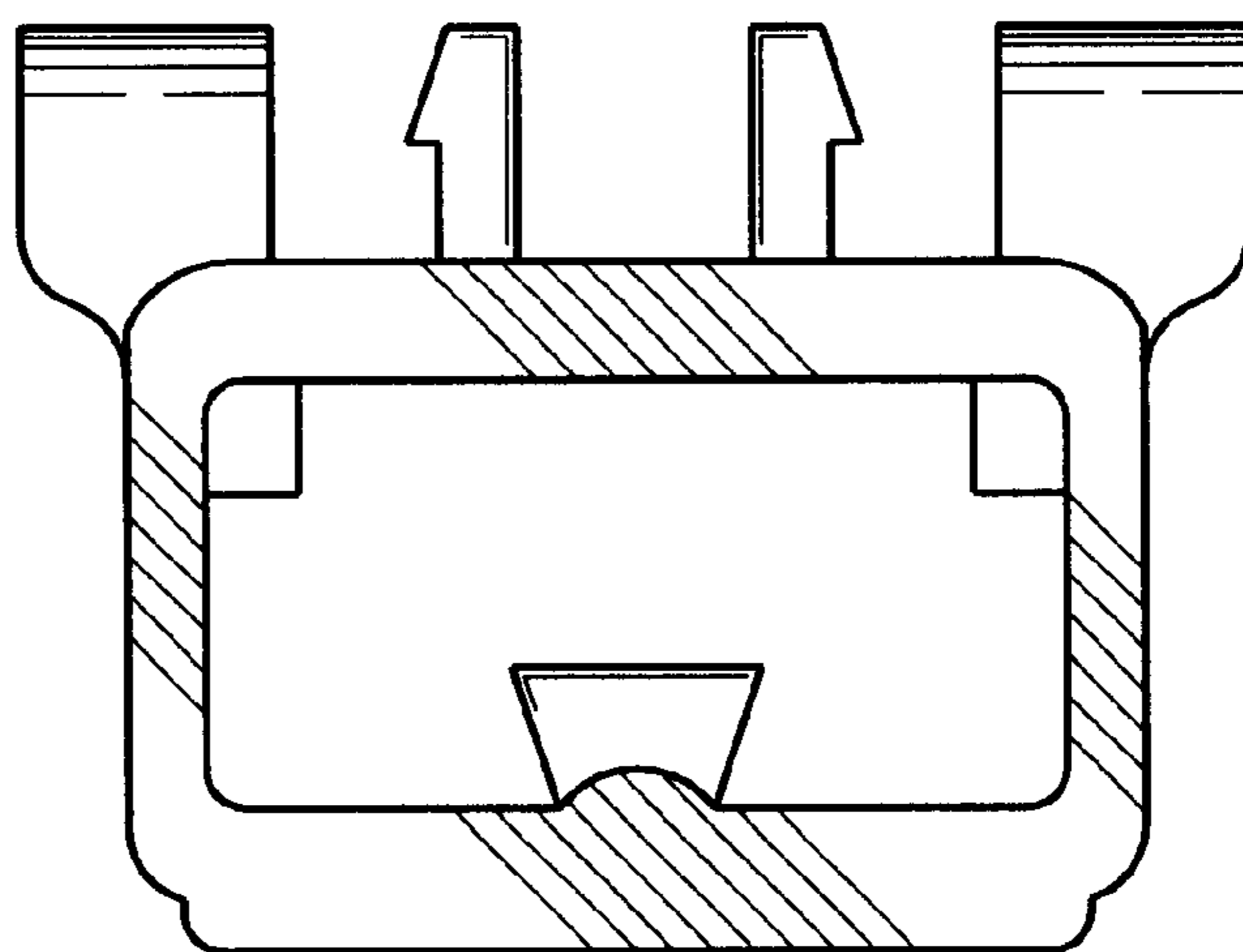


FIG. 5

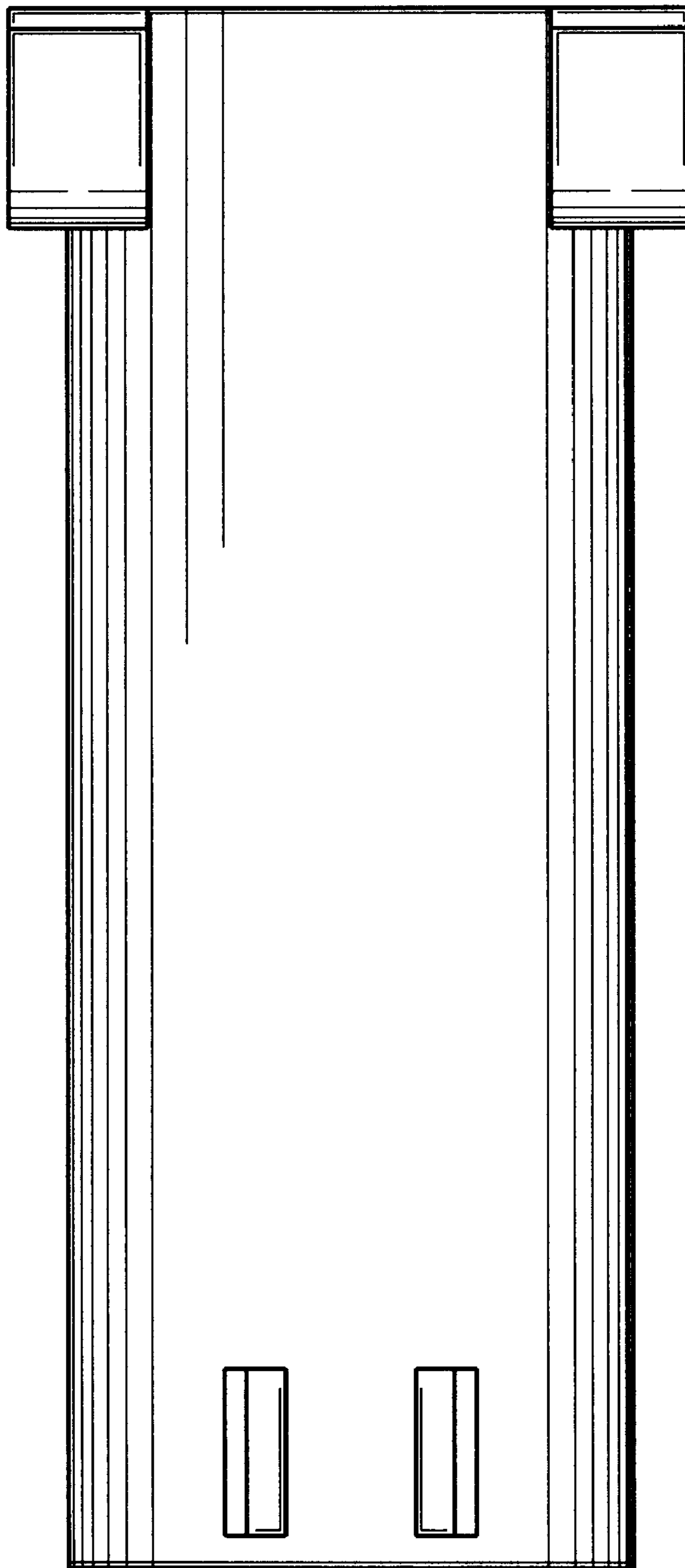


FIG. 4

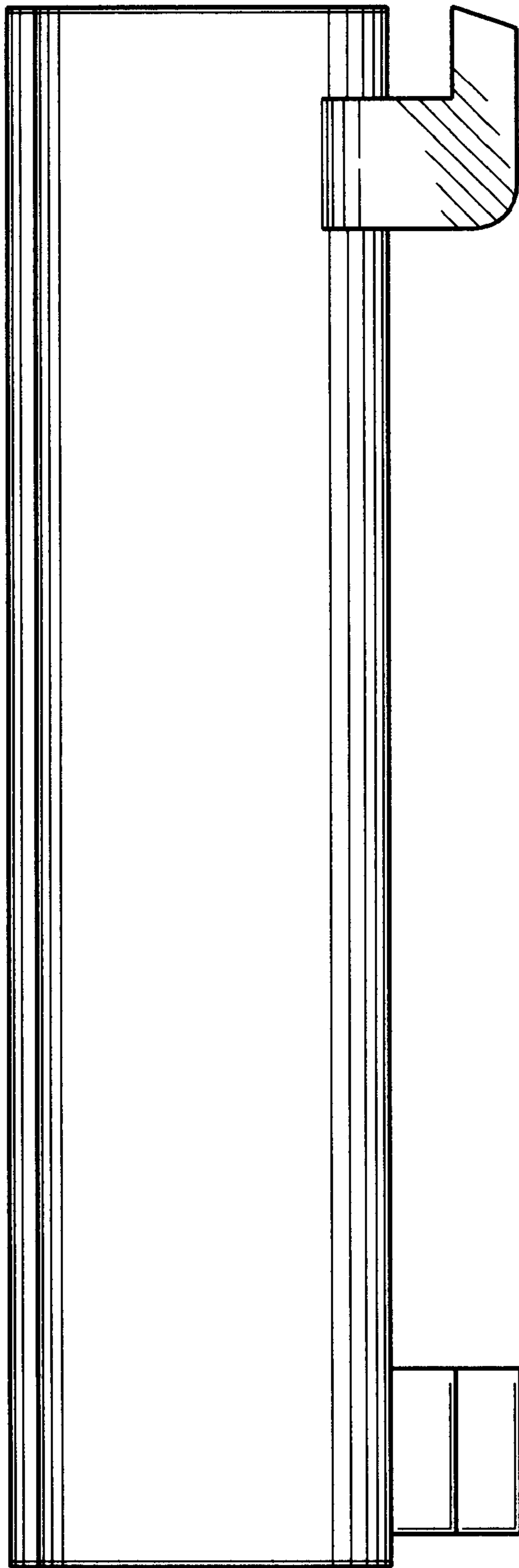


FIG. 6

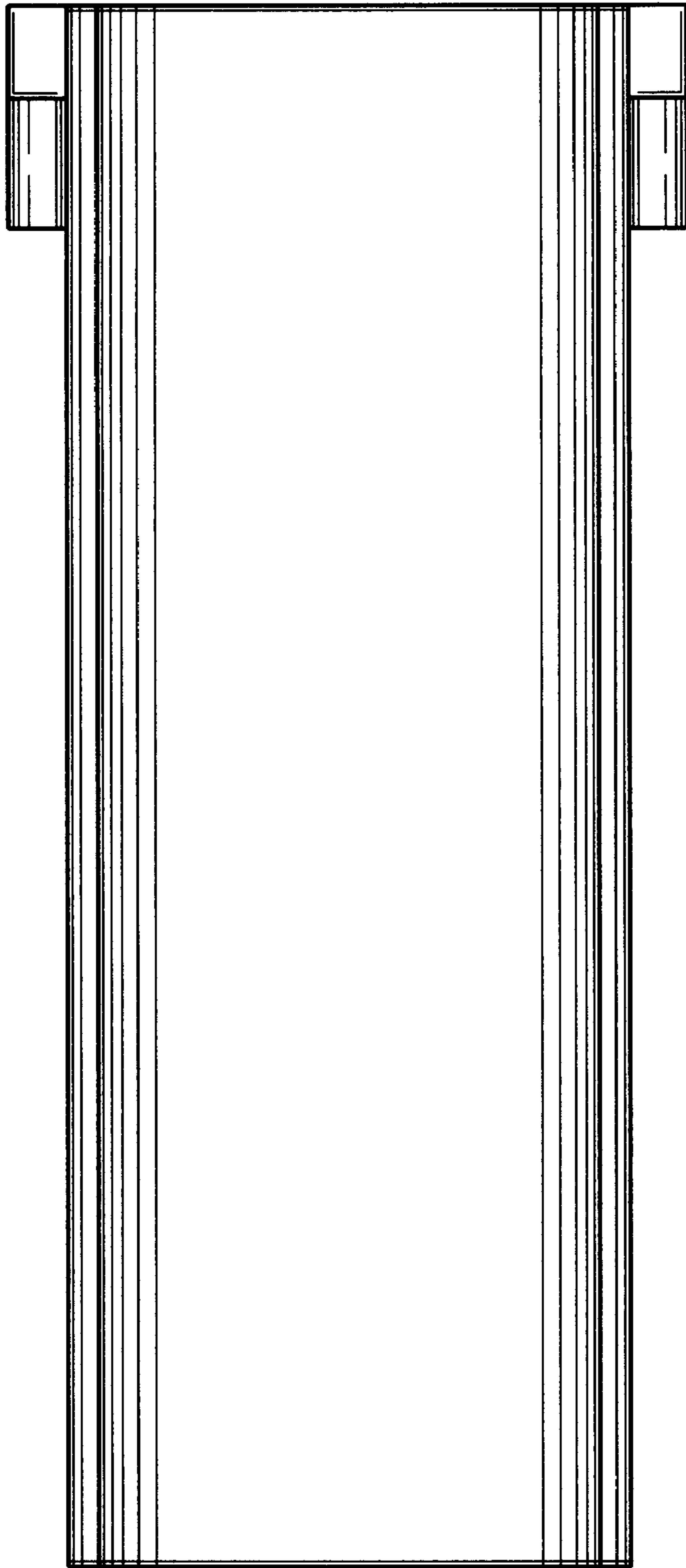


FIG. 7

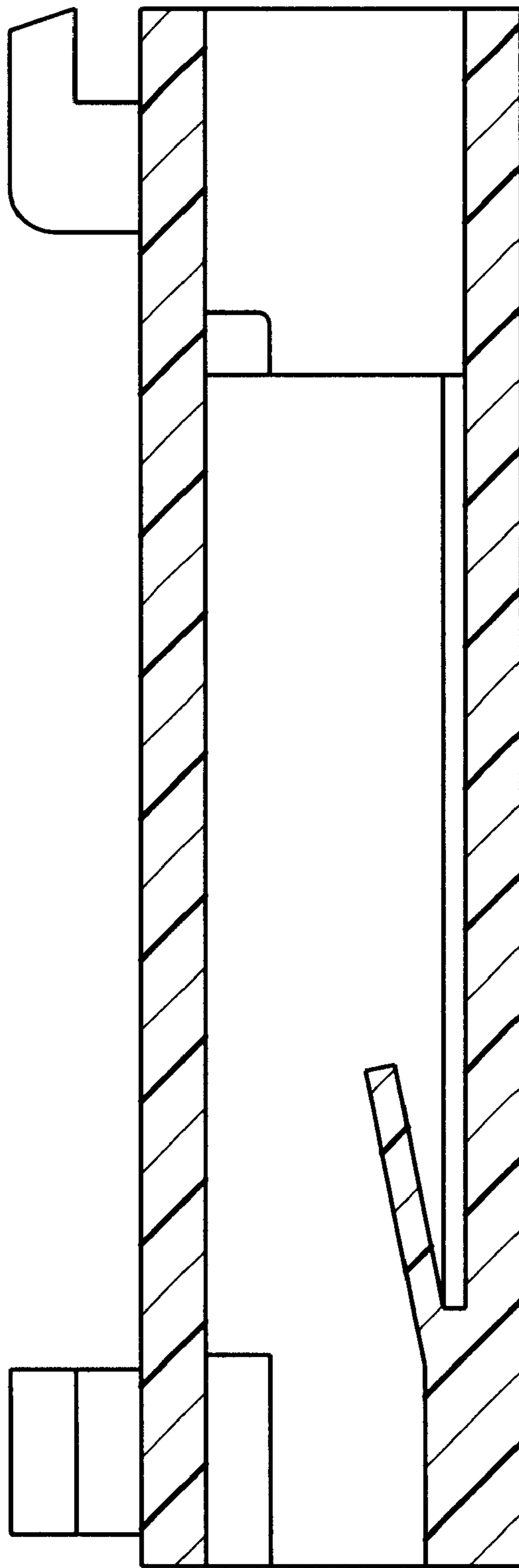


FIG. 8