



US00D450044B1

(12) **United States Design Patent**
Lindstrom

(10) **Patent No.:** **US D450,044 S**

(45) **Date of Patent:** **** *Nov. 6, 2001**

(54) **COOLER FOR HEAT DISSIPATION**

(76) Inventor: **Christer E. Lindstrom**, Hogboleden
28, 77461, Avesta (SE)

(*) Notice: This patent is subject to a terminal disclaimer.

(**) Term: **14 Years**

(21) Appl. No.: **29/125,064**

(22) Filed: **Jun. 14, 2000**

(51) **LOC (7) Cl.** **13-03**

(52) **U.S. Cl.** **D13/179**

(58) **Field of Search** D13/179; 174/15.1,
174/16.3; 361/690, 697, 702, 709, 710,
711, 514

(56) **References Cited**

U.S. PATENT DOCUMENTS

- D. 277,748 * 2/1985 McCarthy D13/179
- D. 376,132 * 12/1996 Orton D13/179

- D. 384,040 * 9/1997 Frerichs et al. D13/179
- D. 398,589 * 9/1998 Dodson D13/179
- D. 400,188 * 10/1998 Chu D13/179

* cited by examiner

Primary Examiner—Brian N. Vinson
(74) *Attorney, Agent, or Firm*—Cislo & Thomas LLP

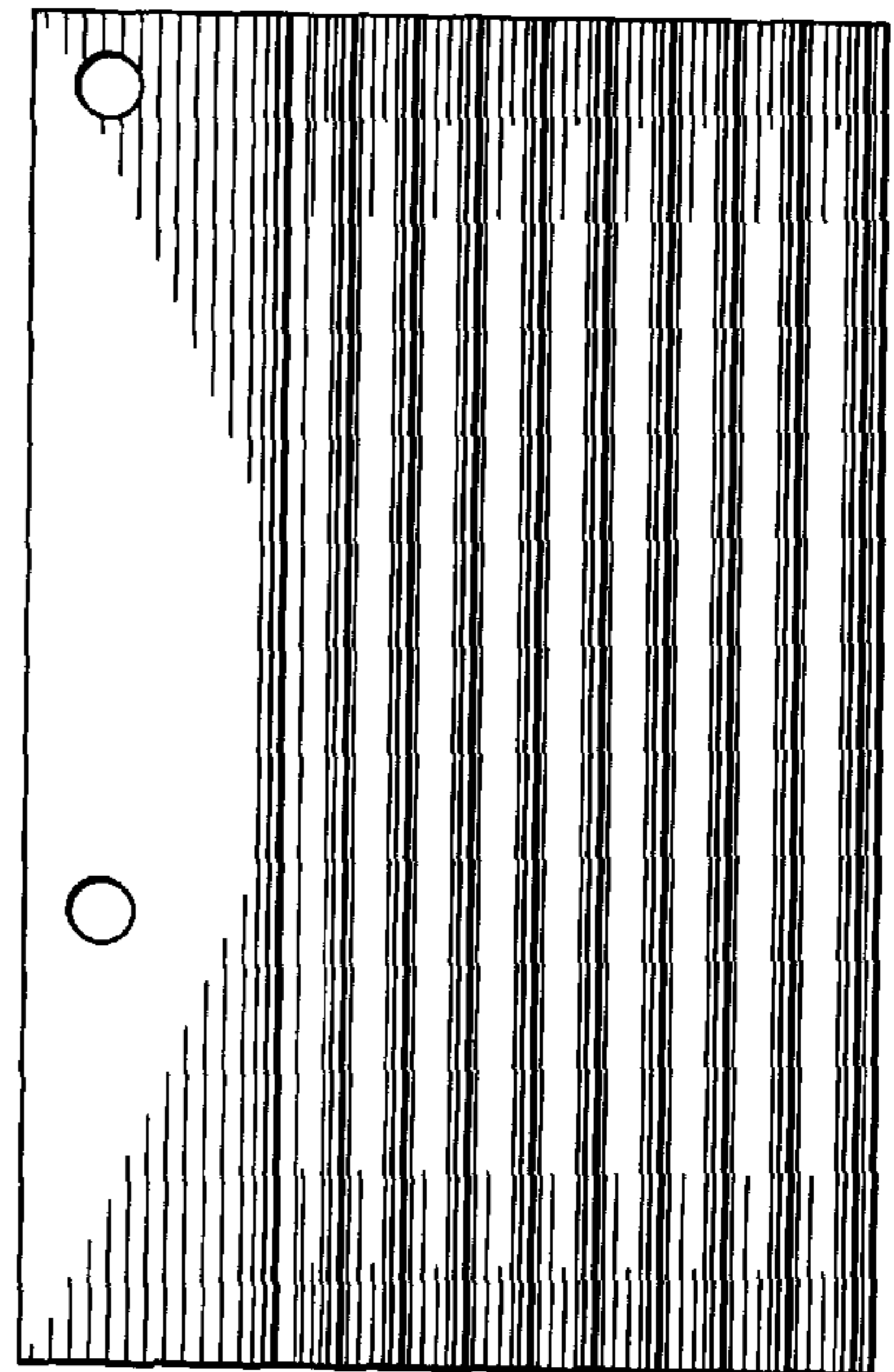
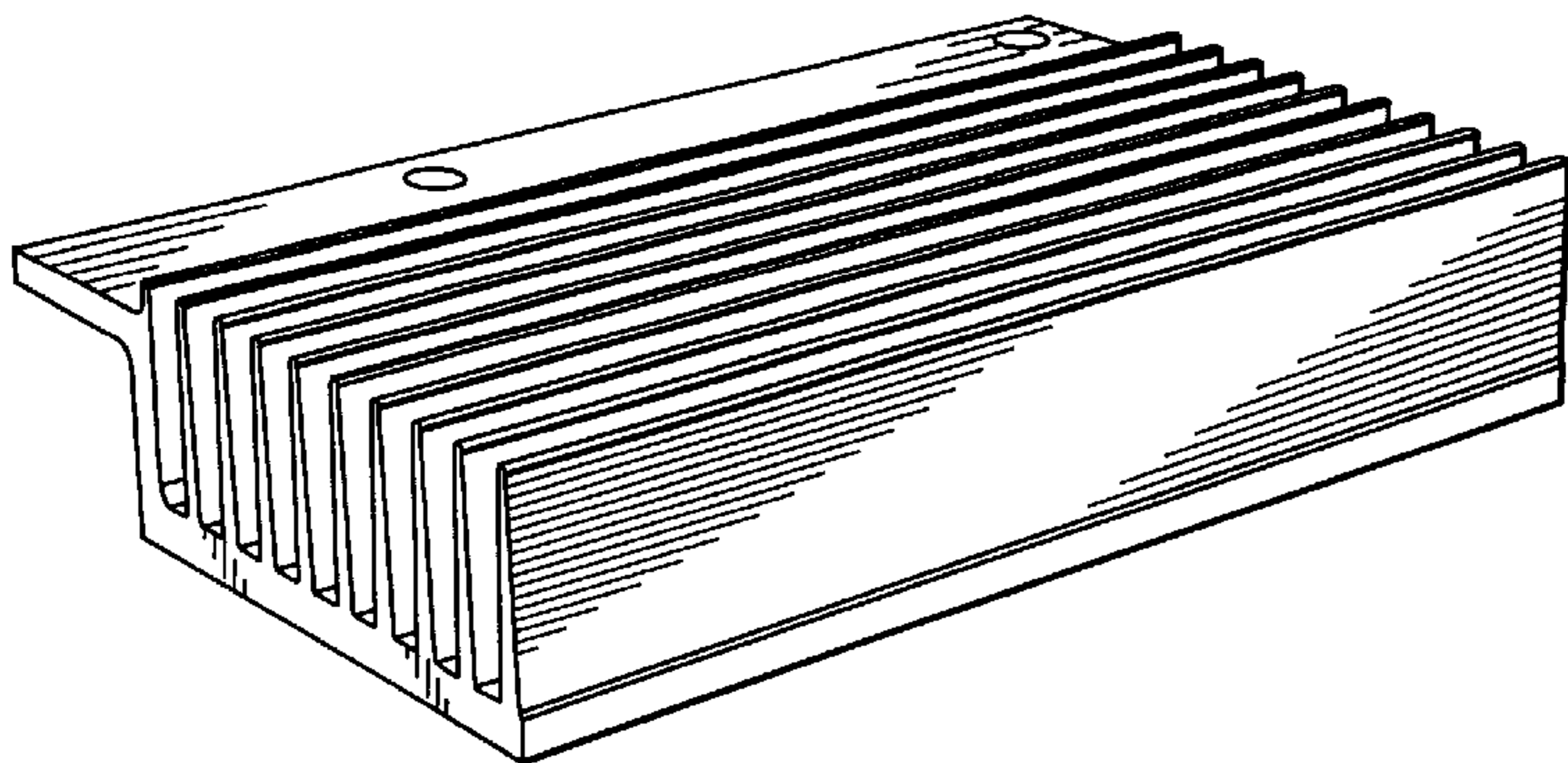
(57) **CLAIM**

The ornamental design for a cooler for heat dissipation, as shown and described.

DESCRIPTION

- FIG. 1. Is a front perspective view of my cooler for heat dissipation;
- FIG. 2. Is a top plan view thereof;
- FIG. 3. Is a bottom view thereof;
- FIG. 4. Is a left elevational view thereof with the right side elevational view being a mirror image thereof;
- FIG. 5. Is a front view thereof; and,
- FIG. 6. Is a rear view thereof.

1 Claim, 2 Drawing Sheets



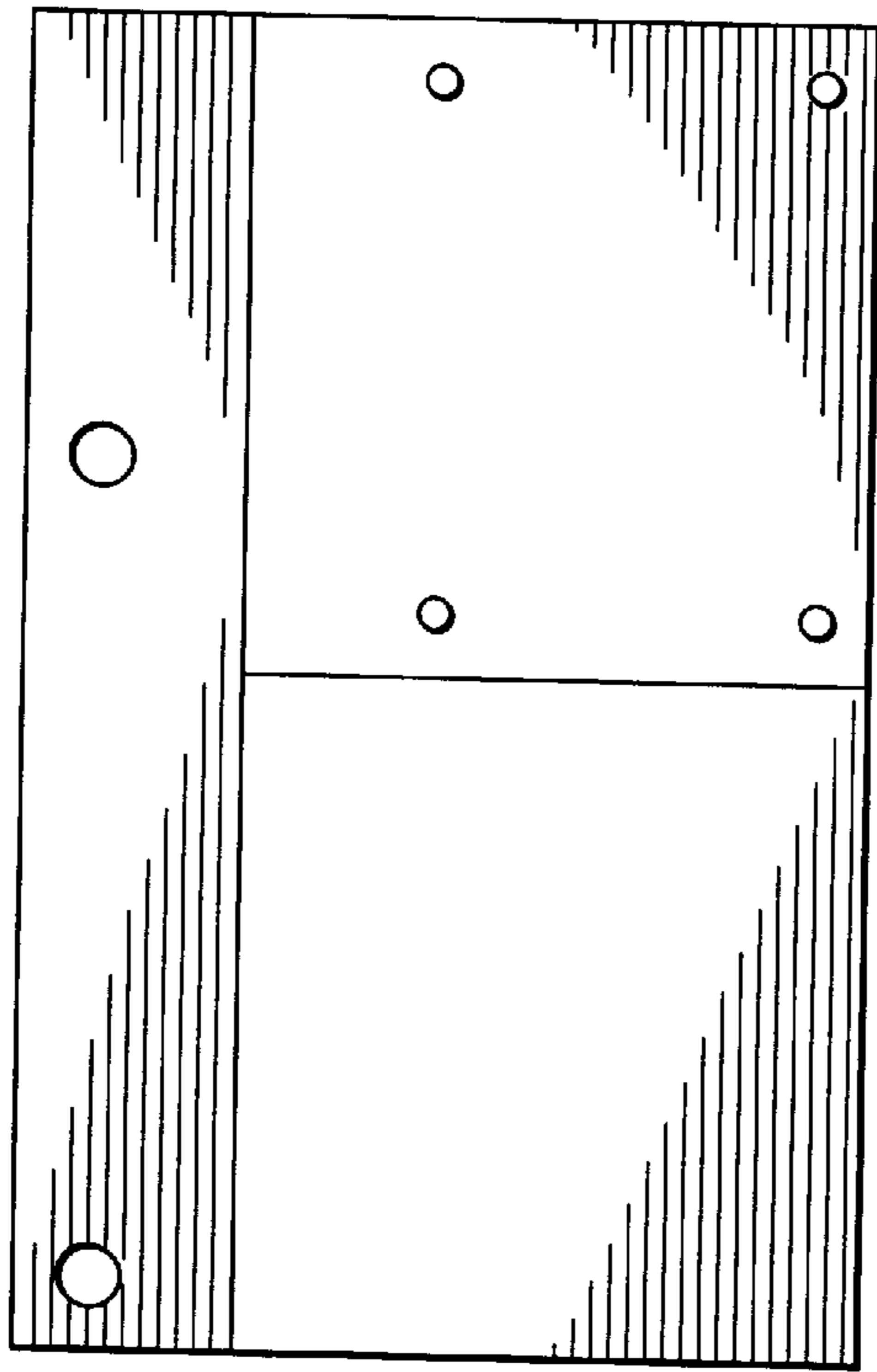


FIG. 3

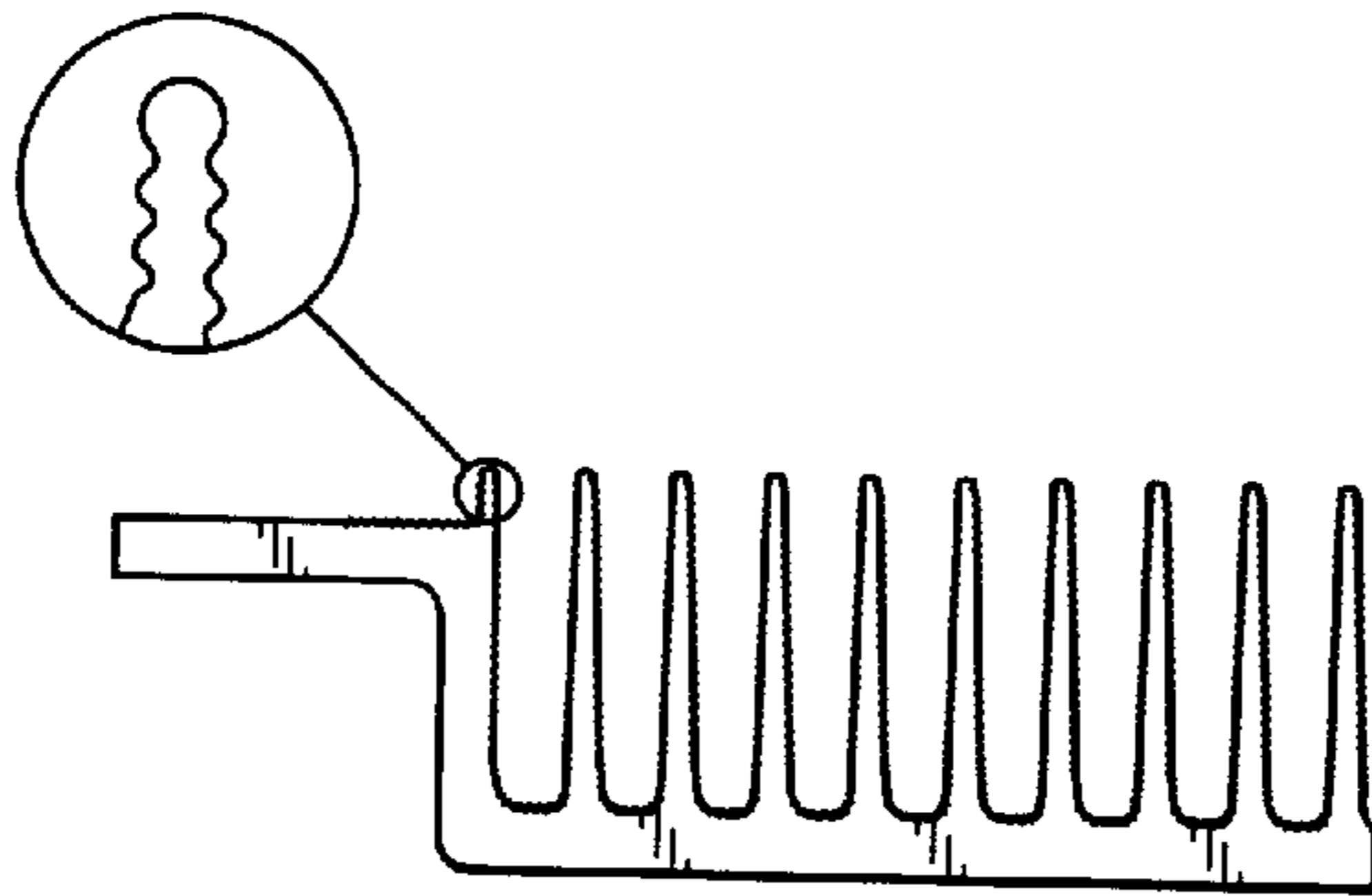


FIG. 4

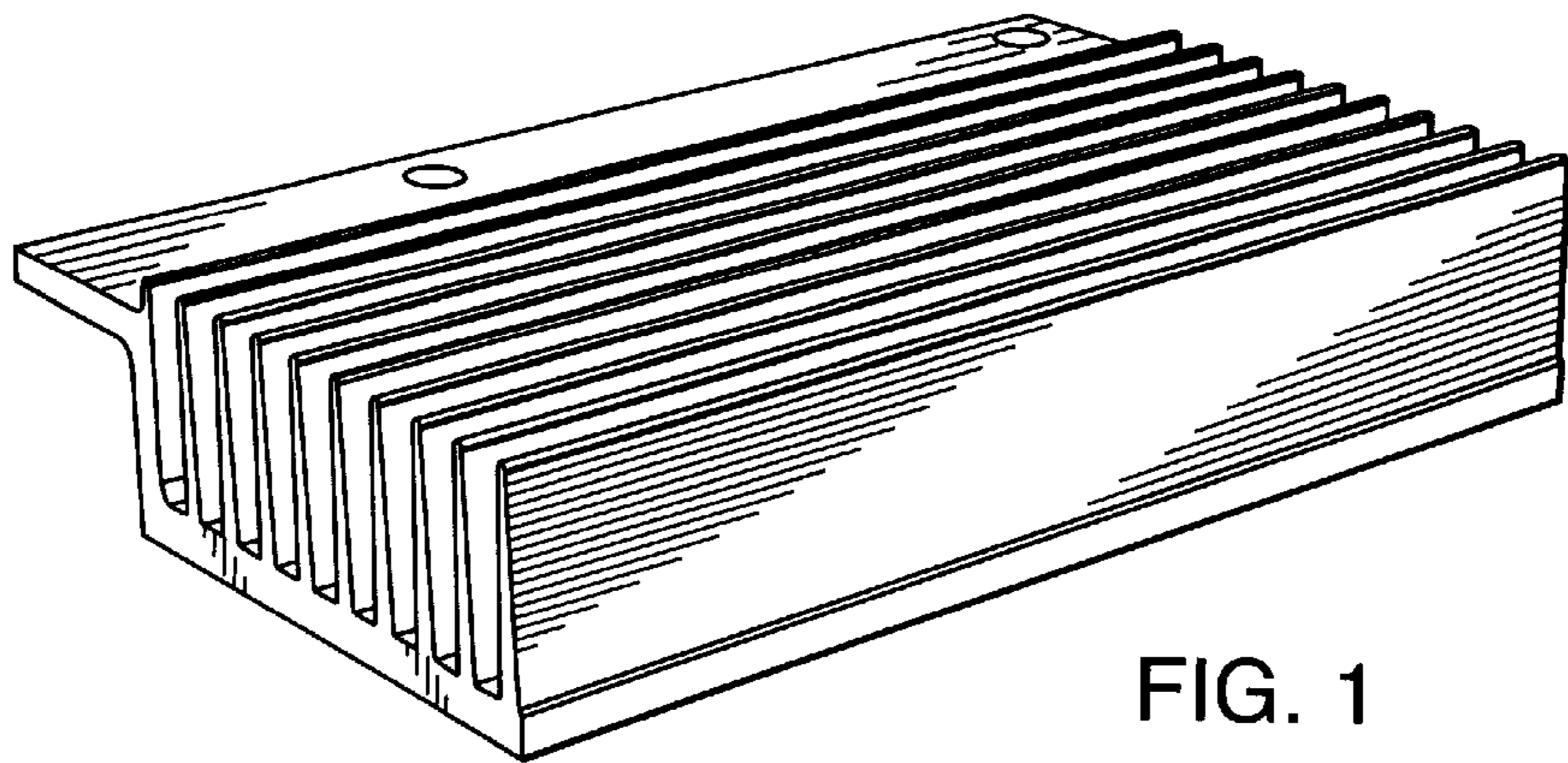


FIG. 1

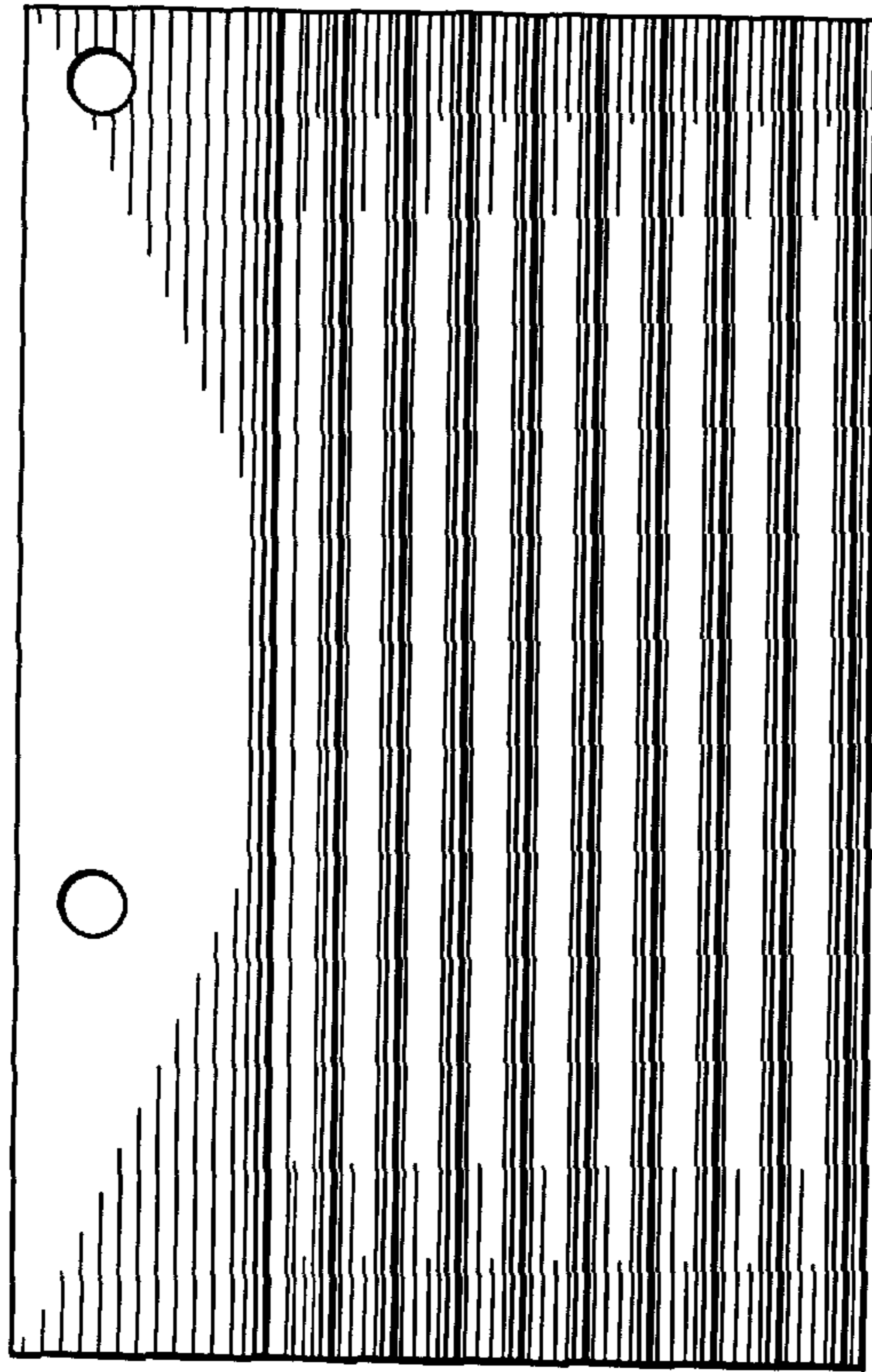


FIG. 2

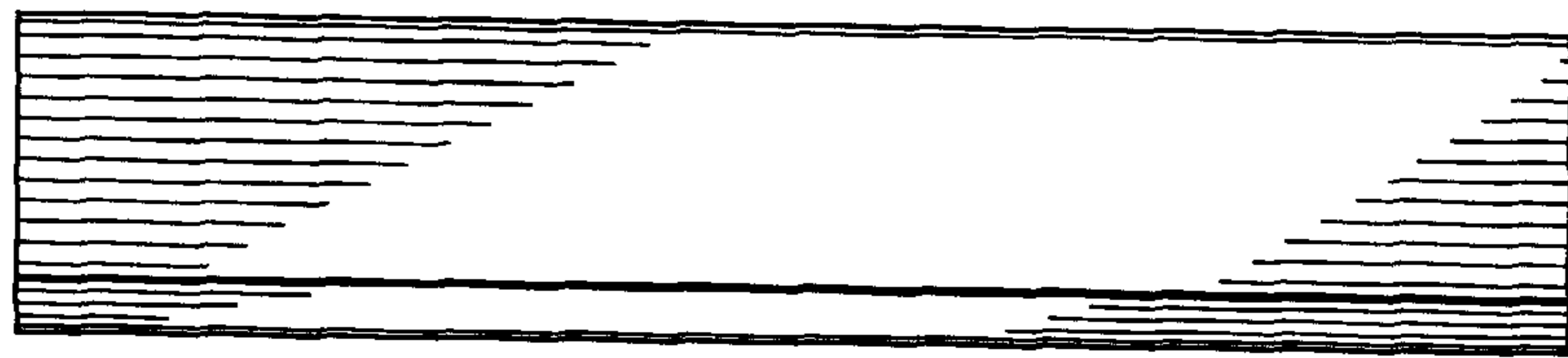


FIG. 5

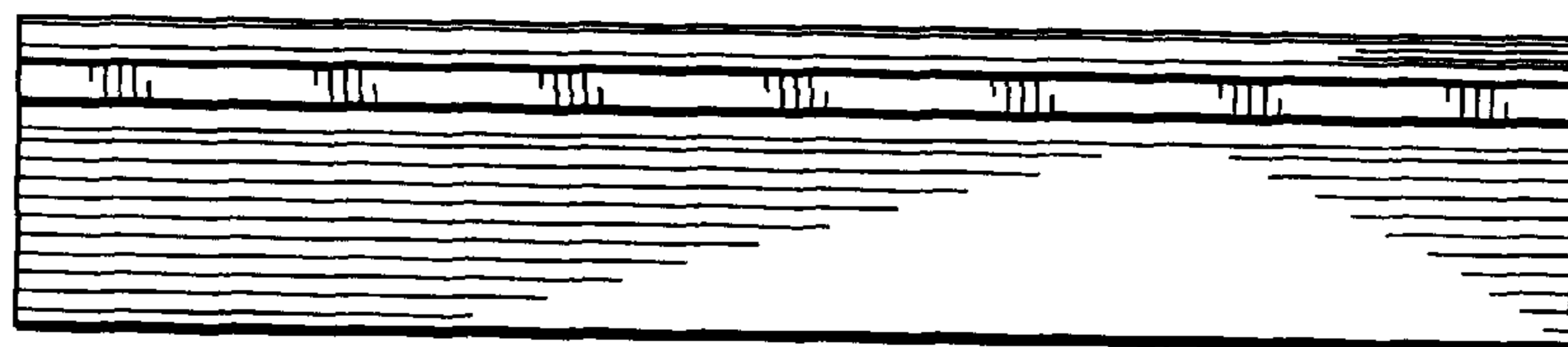


FIG. 6