



US00D450043B1

(12) **United States Design Patent**
Mosebrook

(10) **Patent No.:** **US D450,043 S**

(45) **Date of Patent:** **** Nov. 6, 2001**

(54) **CONTROL PANEL**

(75) **Inventor:** **Donald R. Mosebrook**, Coopersburg, PA (US)

(73) **Assignee:** **Lutron Electronics Co., Inc.**, Coopersburg, PA (US)

(**) **Term:** **14 Years**

(21) **Appl. No.:** **29/131,852**

(22) **Filed:** **Oct. 27, 2000**

Related U.S. Application Data

(63) Continuation-in-part of application No. 29/106,056, filed on Jun. 8, 1999, now Pat. No. Des. 437,585.

(51) **LOC (7) Cl.** **13-03**

(52) **U.S. Cl.** **D13/171; D13/164**

(58) **Field of Search** D13/162, 170, D13/171, 174, 177; 200/241, 308, 309, 310, 313, 329, 333, 339, 341, 330

(56) **References Cited**

U.S. PATENT DOCUMENTS

D. 256,011	*	7/1980	Matsuda	D13/171
D. 307,578	*	5/1990	Carson et al.	D13/158
D. 311,371	*	10/1990	Jacoby	D13/171
D. 313,168	*	12/1990	Pearlman et al.	D13/168
D. 315,145	*	3/1991	Pearlman et al.	D13/169
D. 330,013	*	10/1992	Wunsch	D13/168
D. 336,744	*	6/1993	Kahn et al.	D13/171
D. 337,755	*	7/1993	Rowen et al.	D13/170
D. 353,798	*	12/1994	Bryde et al.	D13/169
4,760,227	*	7/1988	Boxer	200/330

* cited by examiner

Primary Examiner—Brian N. Vinson

(74) *Attorney, Agent, or Firm*—Drinker Biddle & Reath LLP

(57) **CLAIM**

The ornamental design for a control panel, as shown and described.

DESCRIPTION

FIG. 1 is an isometric projection of a control panel of the design according to a first embodiment of the invention (a faceplate, which does not form part of the invention, is shown in phantom);

FIG. 2 is a front elevational view of the control panel of FIG. 1 (a faceplate, which does not form part of the invention, is shown in phantom);

FIG. 3 is a bottom plan view of the control panel of FIG. 1 (a faceplate, which does not form part of the invention, is shown in phantom);

FIG. 4 is a top plan view of the control panel of FIG. 1 (a faceplate, which does not form part of the invention, is shown in phantom);

FIG. 5 is a right side elevational view of the control panel of FIG. 1 (a faceplate, which does not form part of the invention, is shown in phantom);

FIG. 6 is a left side elevational view of the control panel of FIG. 1 (a faceplate, which does not form part of the invention, is shown in phantom);

FIG. 7 is an isometric projection of a control panel of the design according to a second embodiment of the invention (a faceplate, which does not form part of the invention, is shown in phantom);

FIG. 8 is a front elevational view of the control panel of FIG. 7 (a faceplate, which does not form part of the invention, is shown in phantom);

FIG. 9 is a bottom plan view of the control panel of FIG. 7 (a faceplate, which does not form part of the invention, is shown in phantom);

FIG. 10 is a top plan view of the control panel of FIG. 7 (a faceplate, which does not form part of the invention, is shown in phantom);

FIG. 11 is a right side elevational view of the control panel of FIG. 7 (a faceplate, which does not form part of the invention, is shown in phantom);

FIG. 12 is a left side elevational view of the control panel of FIG. 7 (a faceplate, which does not form part of the invention, is shown in phantom);

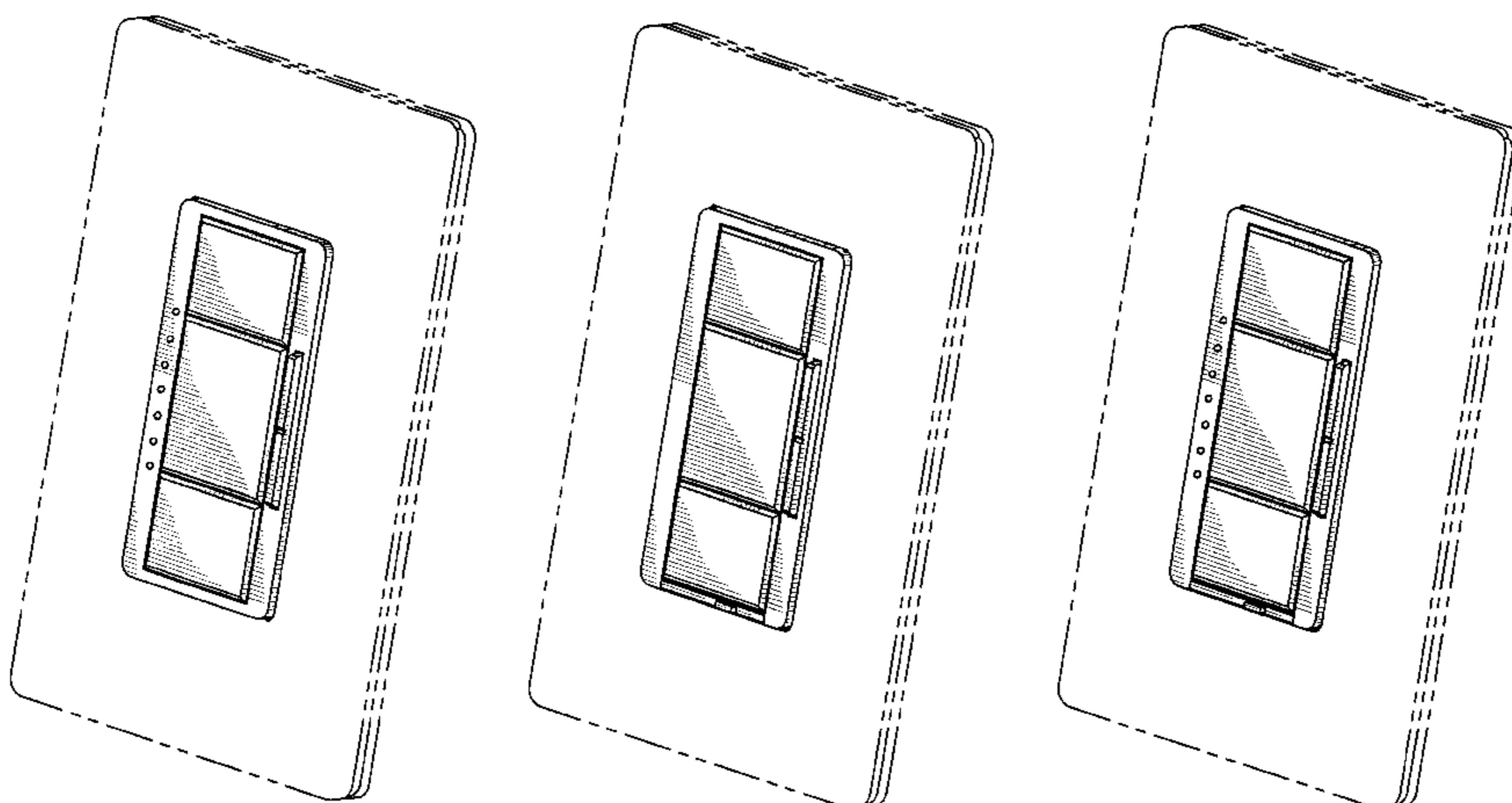


FIG. 13 is an isometric projection of the control panel of the design according to a third embodiment of the invention (a faceplate, which does not form part of the invention, is shown in phantom);

FIG. 14 is a front elevational view of the control panel of FIG. 13 (a faceplate, which does not form part of the invention, is shown in phantom);

FIG. 15 is a bottom plan view of the control panel of FIG. 13 (a faceplate, which does not form part of the invention, is shown in phantom);

FIG. 16 is a top plan view of the control panel of FIG. 13 (a faceplate, which does not form part of the invention, is shown in phantom);

FIG. 17 is a right side elevational view of the control panel of FIG. 13 (a faceplate, which does not form part of the invention, is shown in phantom);

FIG. 18 is a left side elevational view of the control panel of FIG. 13 (a faceplate, which does not form part of the invention, is shown in phantom);

FIG. 19 is an isometric projection of a control panel of the design according to a fourth embodiment of the invention (a faceplate, which does not form part of the invention, is shown in phantom);

FIG. 20 is a front elevational view of the control panel of FIG. 19 (a faceplate, which does not form part of the invention, is shown in phantom);

FIG. 21 is a bottom plan view of the control panel of FIG. 19 (a faceplate, which does not form part of the invention, is shown in phantom);

FIG. 22 is a top plan view of the control panel of FIG. 19 (a faceplate, which does not form part of the invention, is shown in phantom);

FIG. 23 is a right side elevational view of the control panel of FIG. 19 (a faceplate, which does not form part of the invention, is shown in phantom);

FIG. 24 is a left side elevational view of the control panel of FIG. 19 (a faceplate, which does not form part of the invention, is shown in phantom);

FIG. 25 is an isometric projection of a control panel of the design according to a fifth embodiment of the invention (a faceplate, which does not form part of the invention, is shown in phantom);

FIG. 26 is a front elevational view of the control panel of FIG. 25 (a faceplate, which does not form part of the invention, is shown in phantom);

FIG. 27 is a bottom plan view of the control panel of FIG. 25 (a faceplate, which does not form part of the invention, is shown in phantom);

FIG. 28 is a top plan view of the control panel of FIG. 25 (a faceplate, which does not form part of the invention, is shown in phantom);

FIG. 29 is a right side elevational view of the control panel of FIG. 25 (a faceplate, which does not form part of the invention, is shown in phantom); and,

FIG. 30 is a left side elevational view of the control panel of FIG. 25 (a faceplate, which does not form part of the invention, is shown in phantom).

The rear part of the control panel of the figures does not constitute part of the invention and, therefore has been omitted from the drawings.

1 Claim, 15 Drawing Sheets

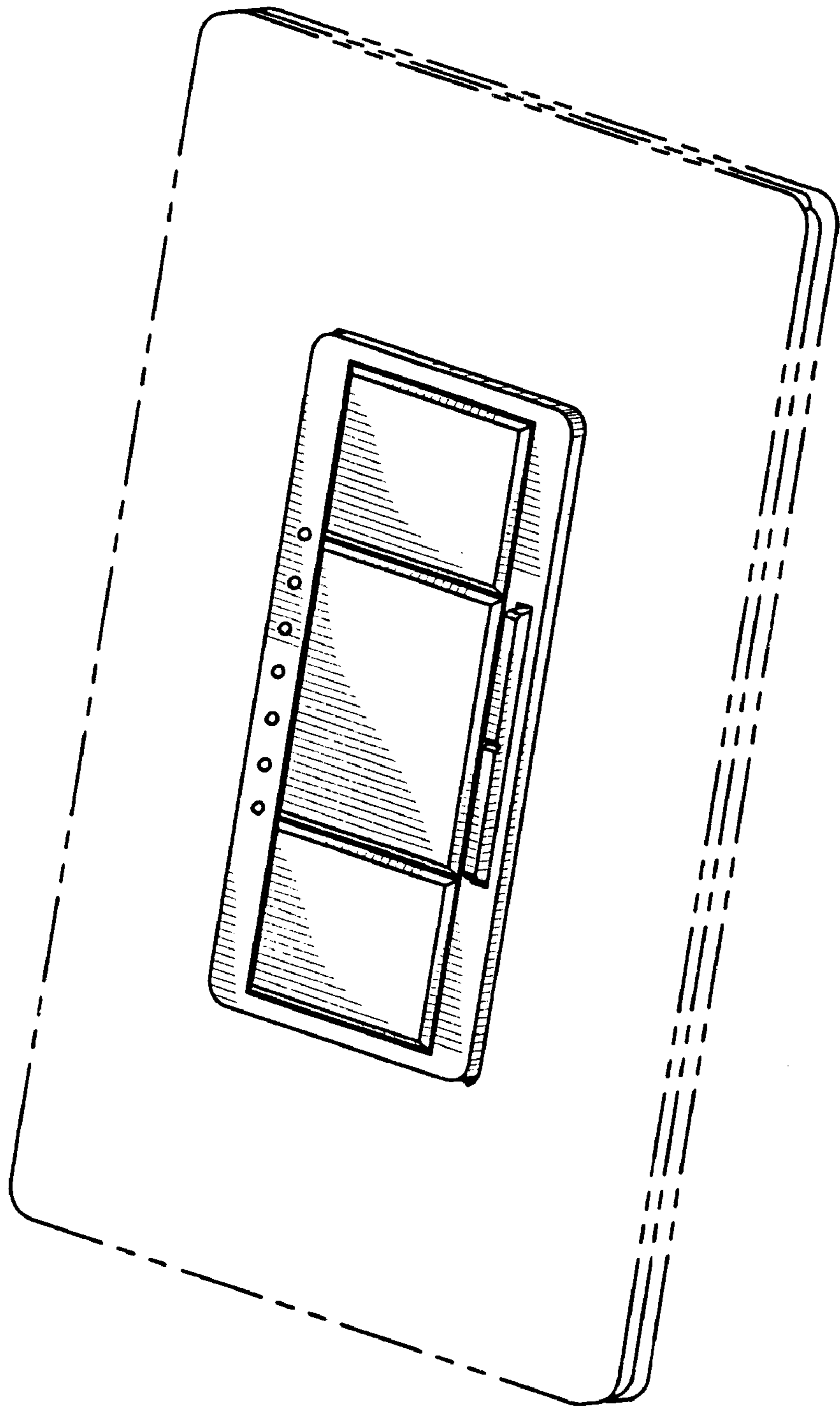


FIG. 1

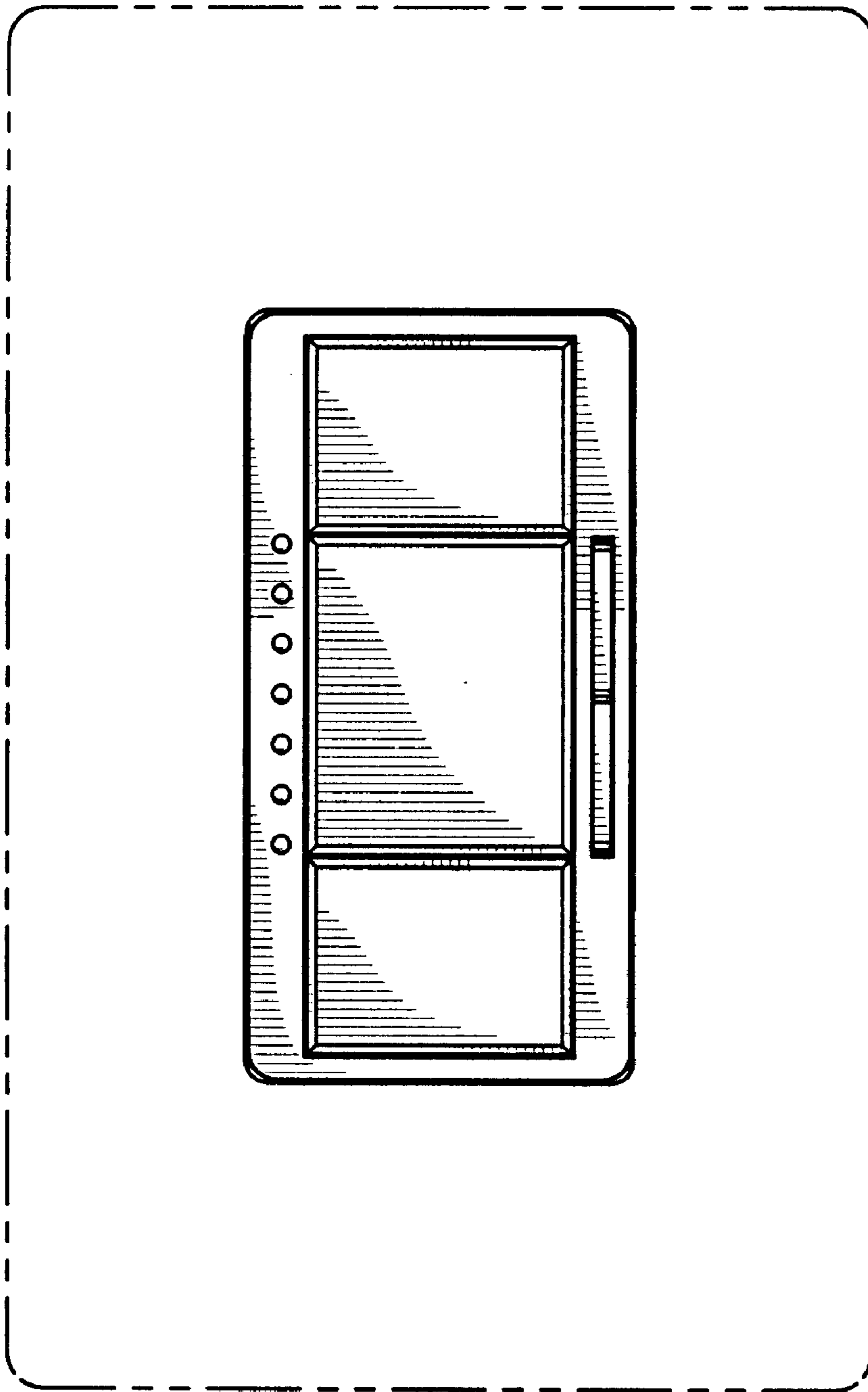


FIG. 2

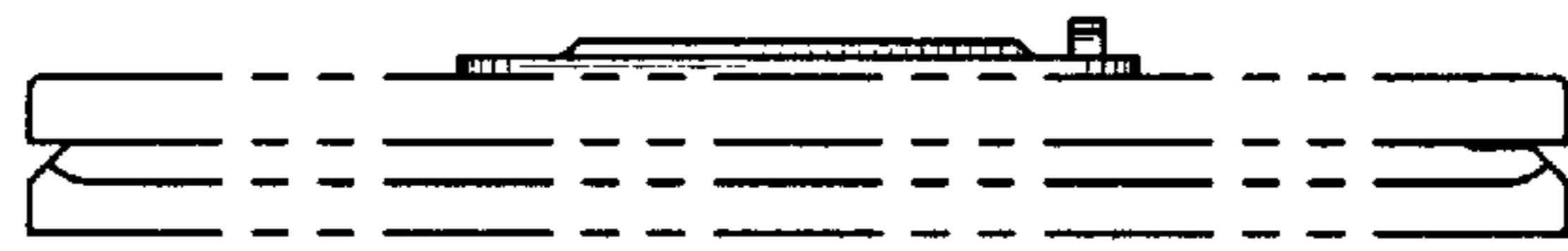


FIG. 3

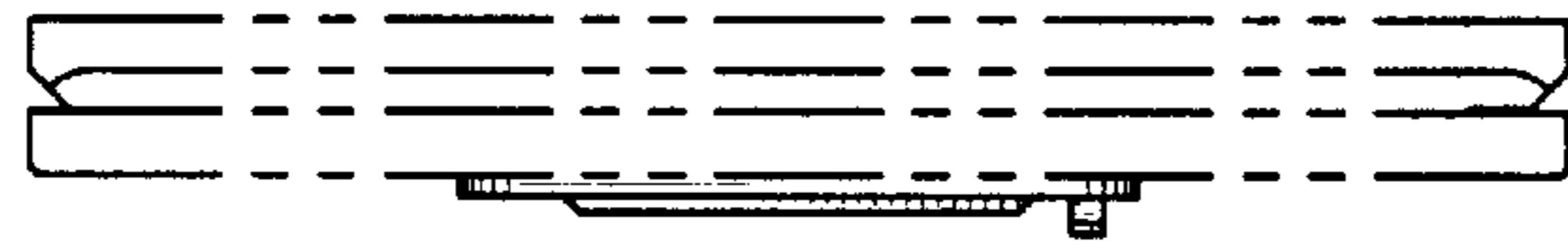


FIG. 4



FIG. 5

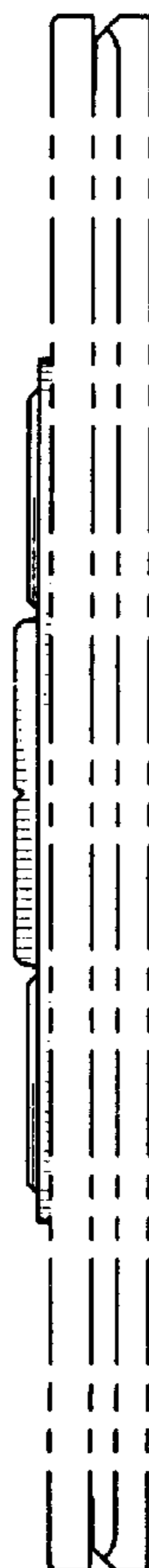


FIG. 6

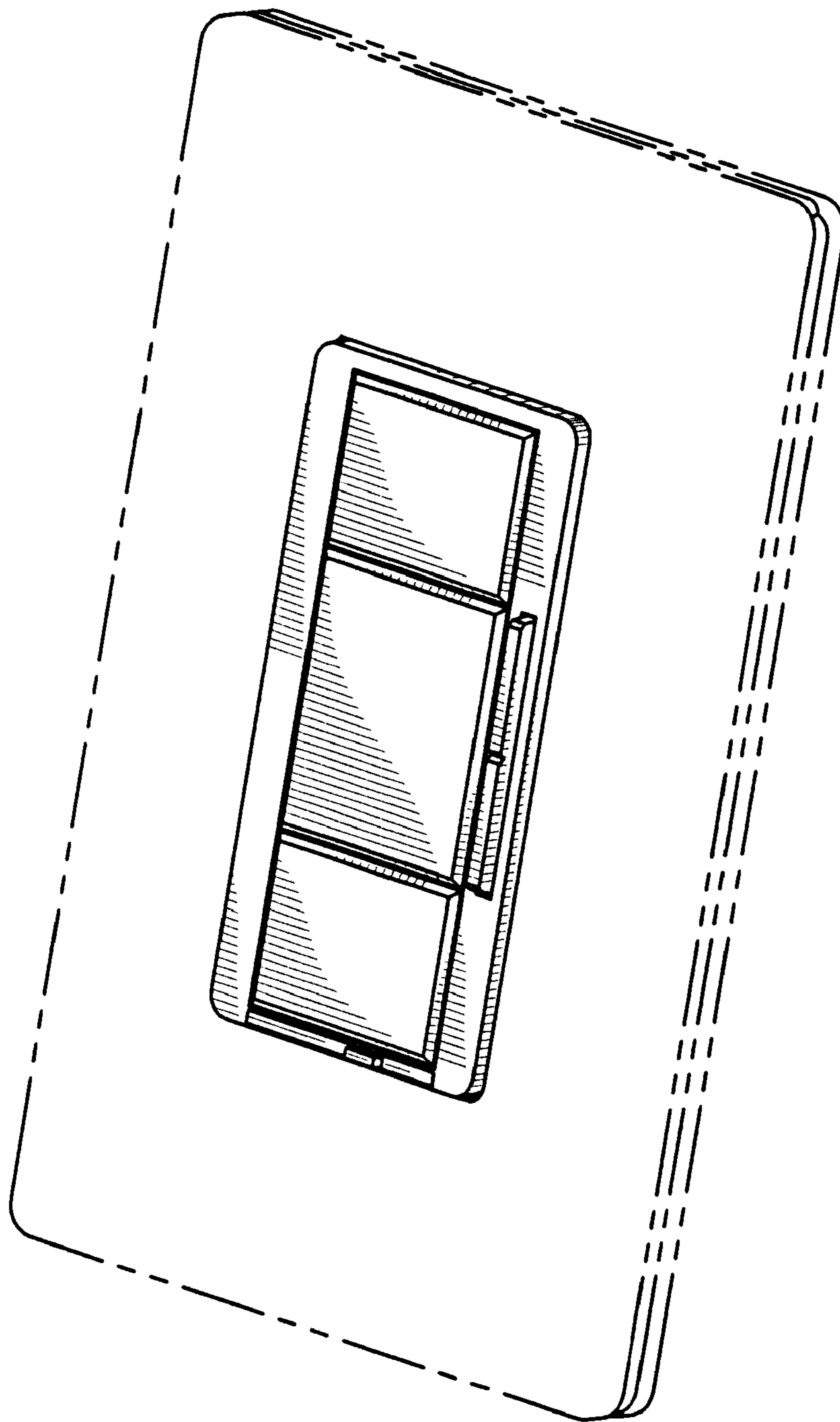


FIG. 7

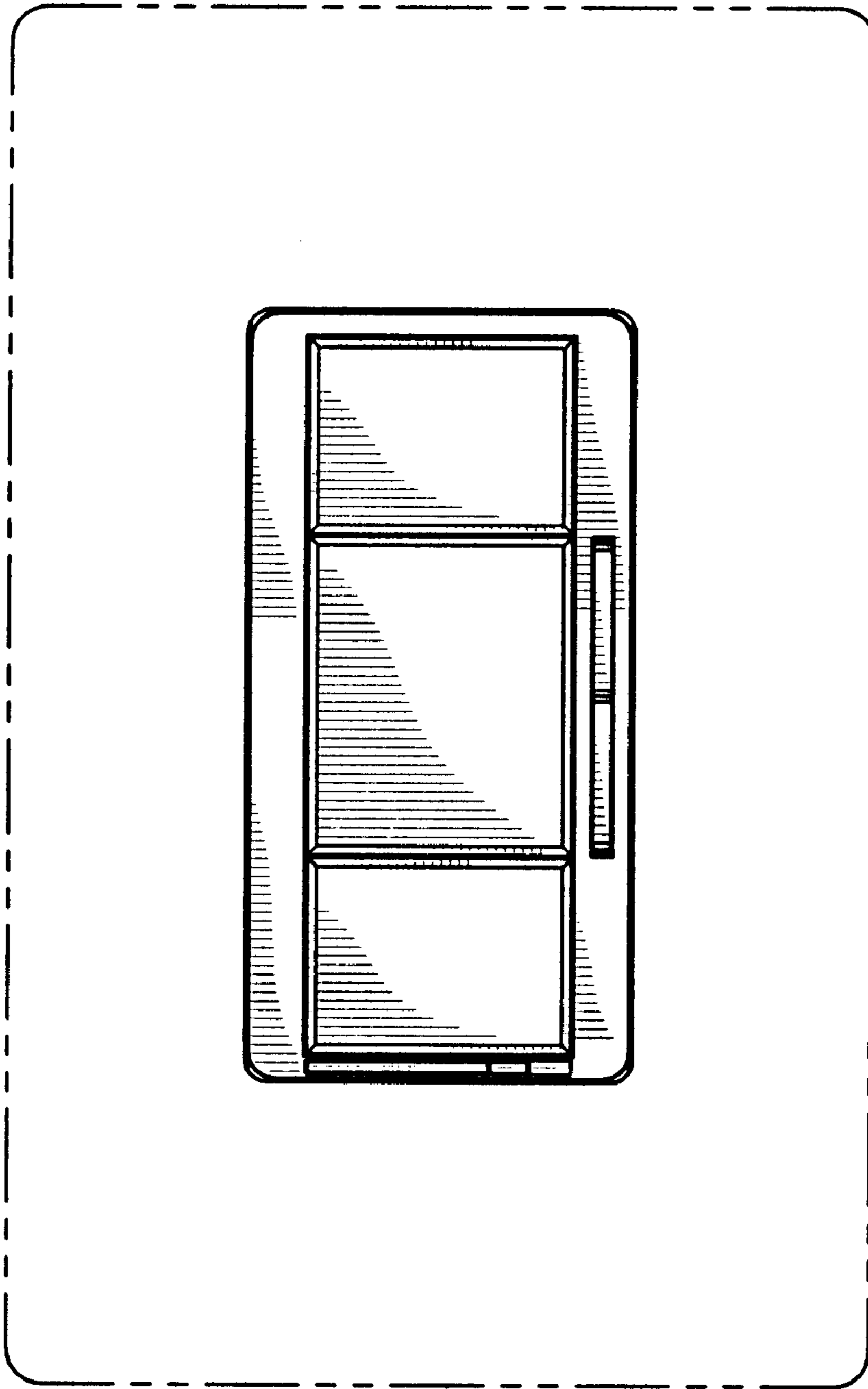


FIG. 8

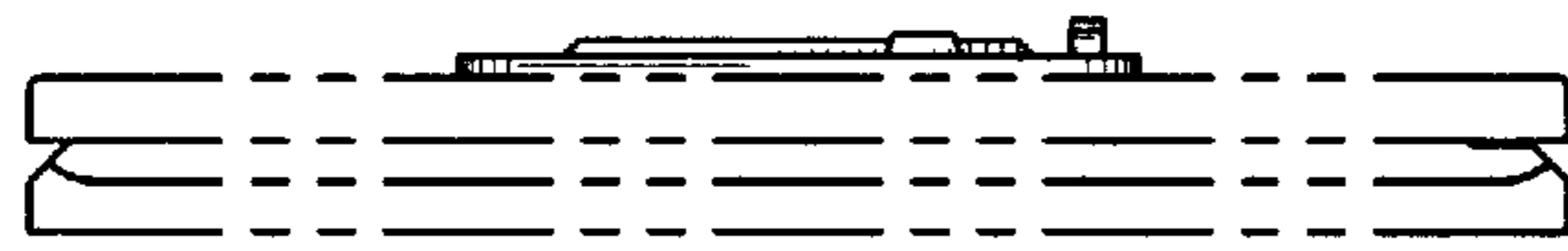


FIG. 9

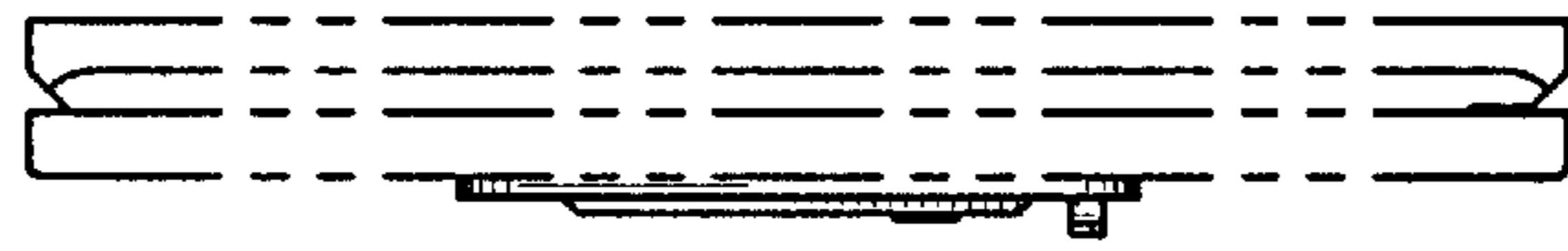


FIG. 10



FIG. 11

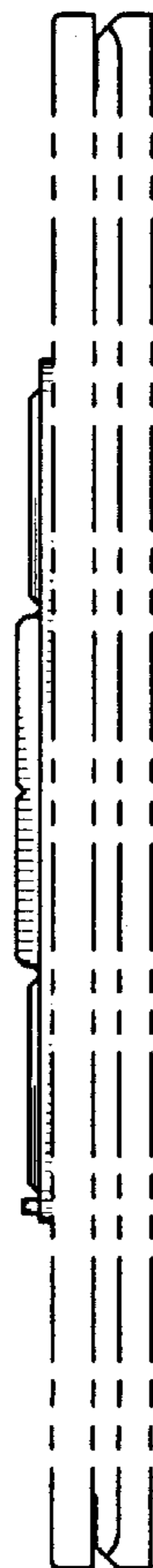


FIG. 12

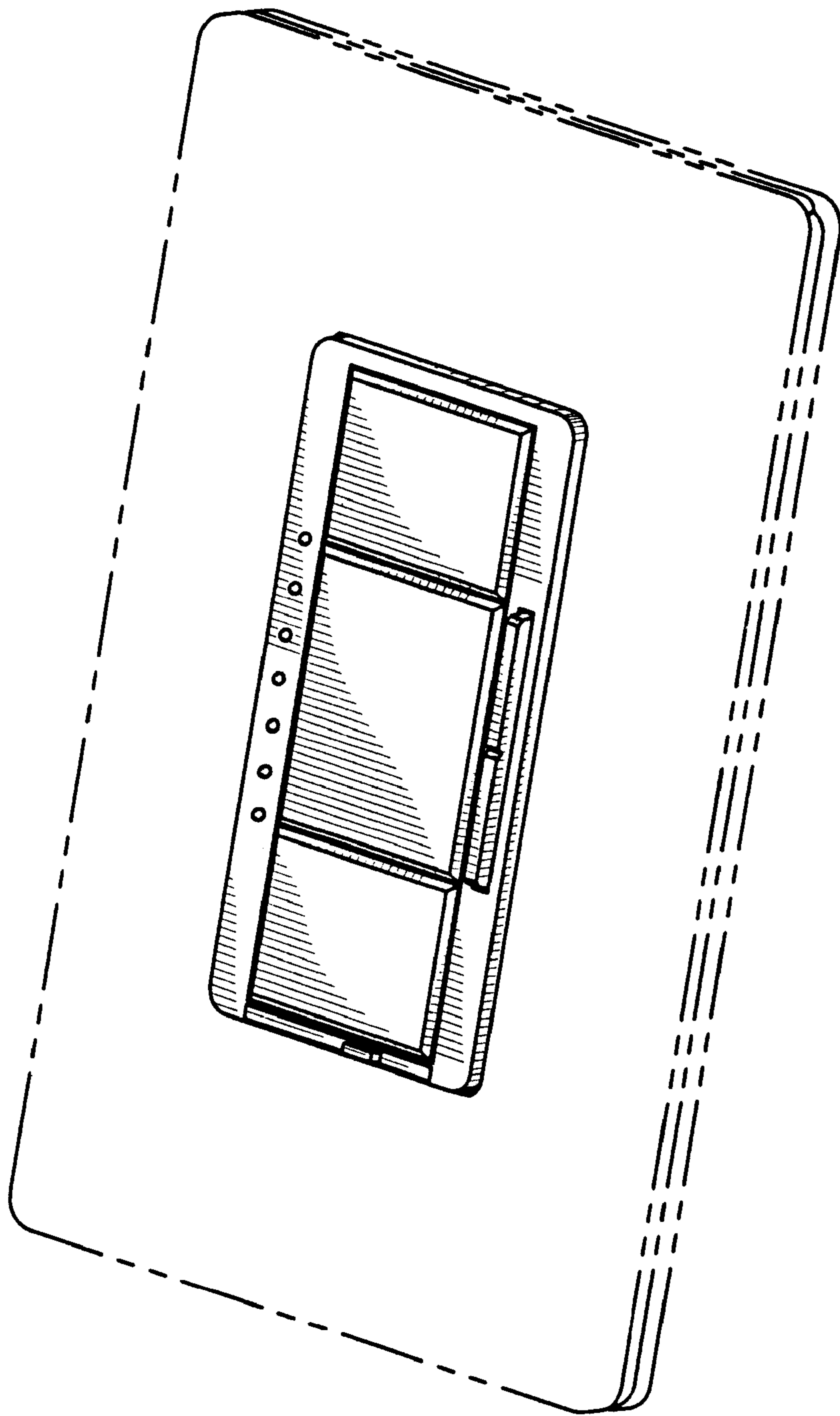


FIG. 13

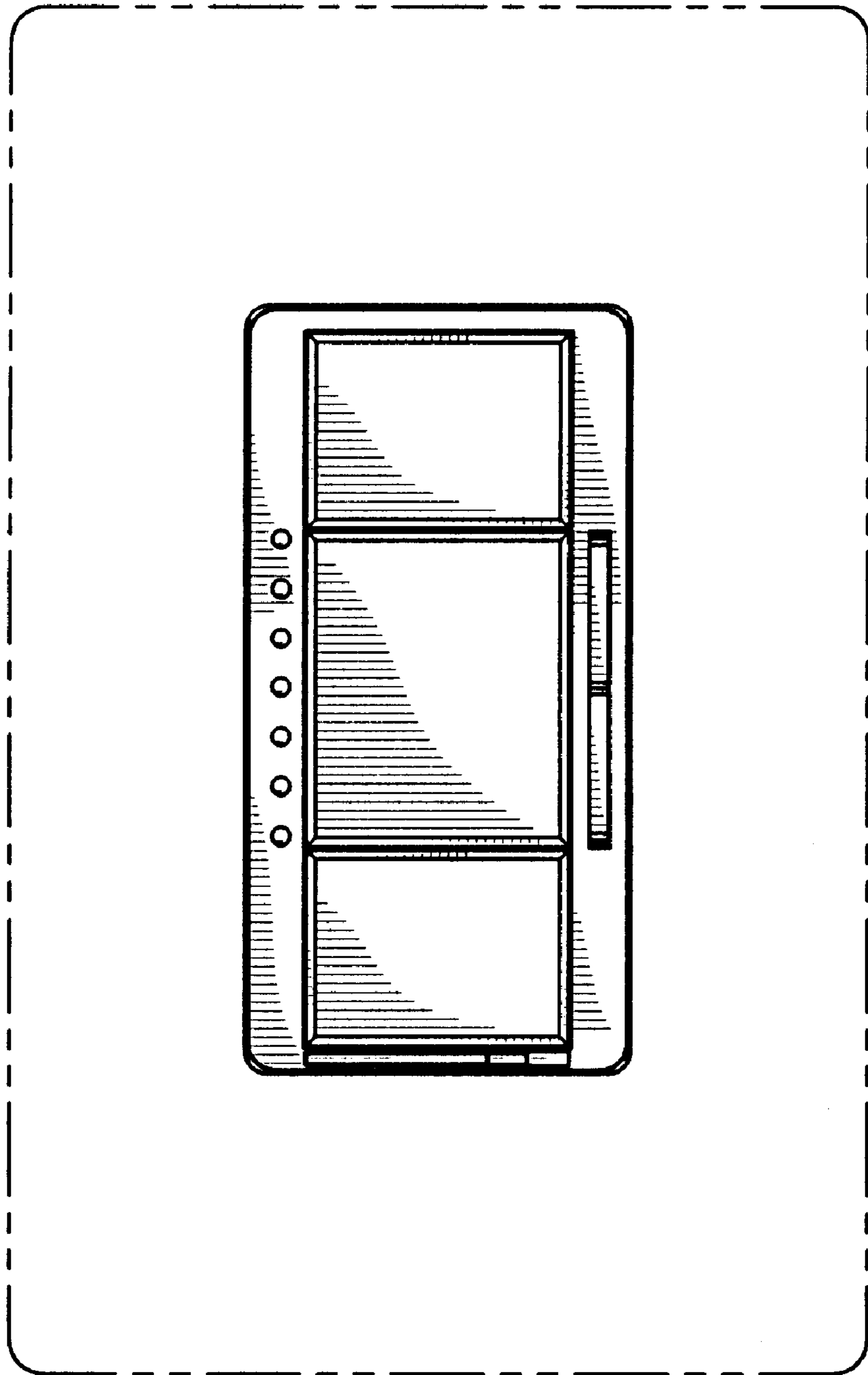


FIG. 14

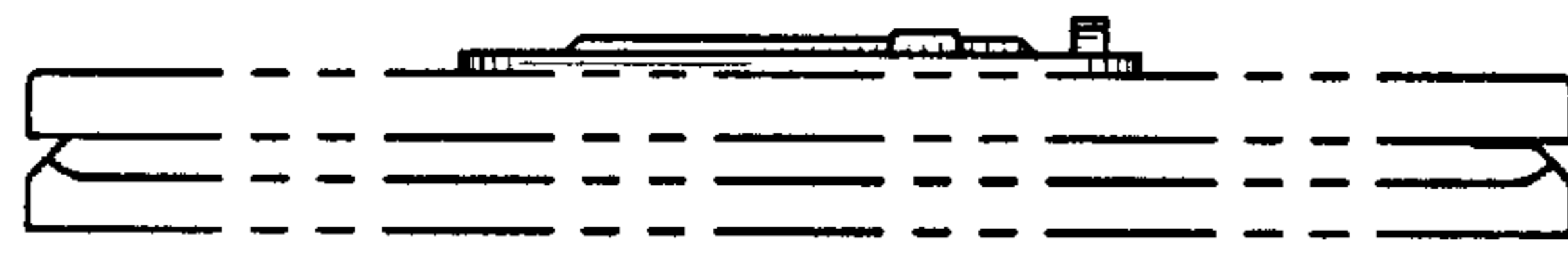


FIG. 15

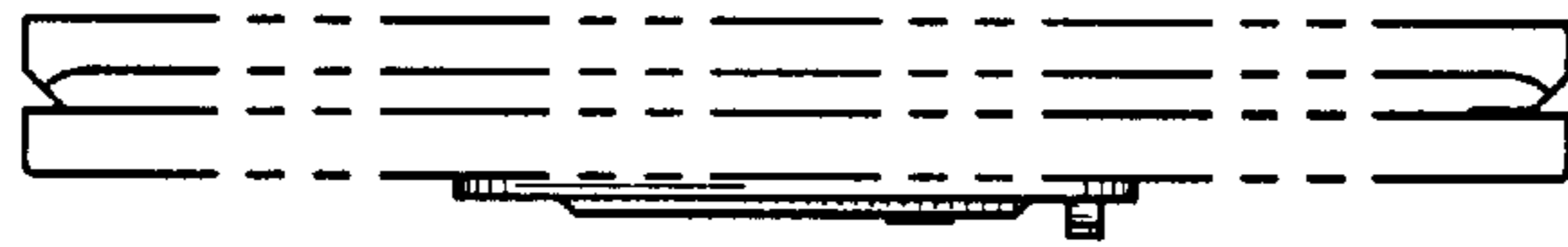


FIG. 16



FIG. 17

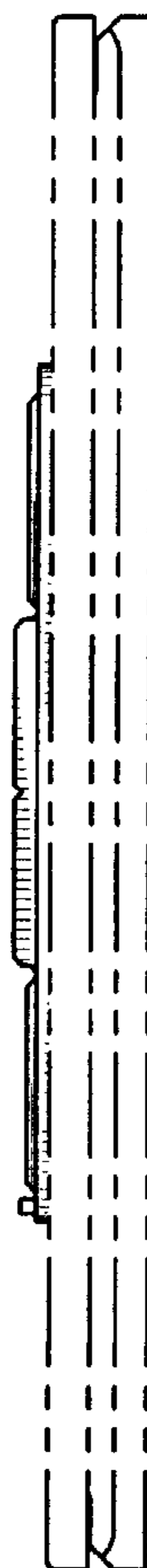


FIG. 18

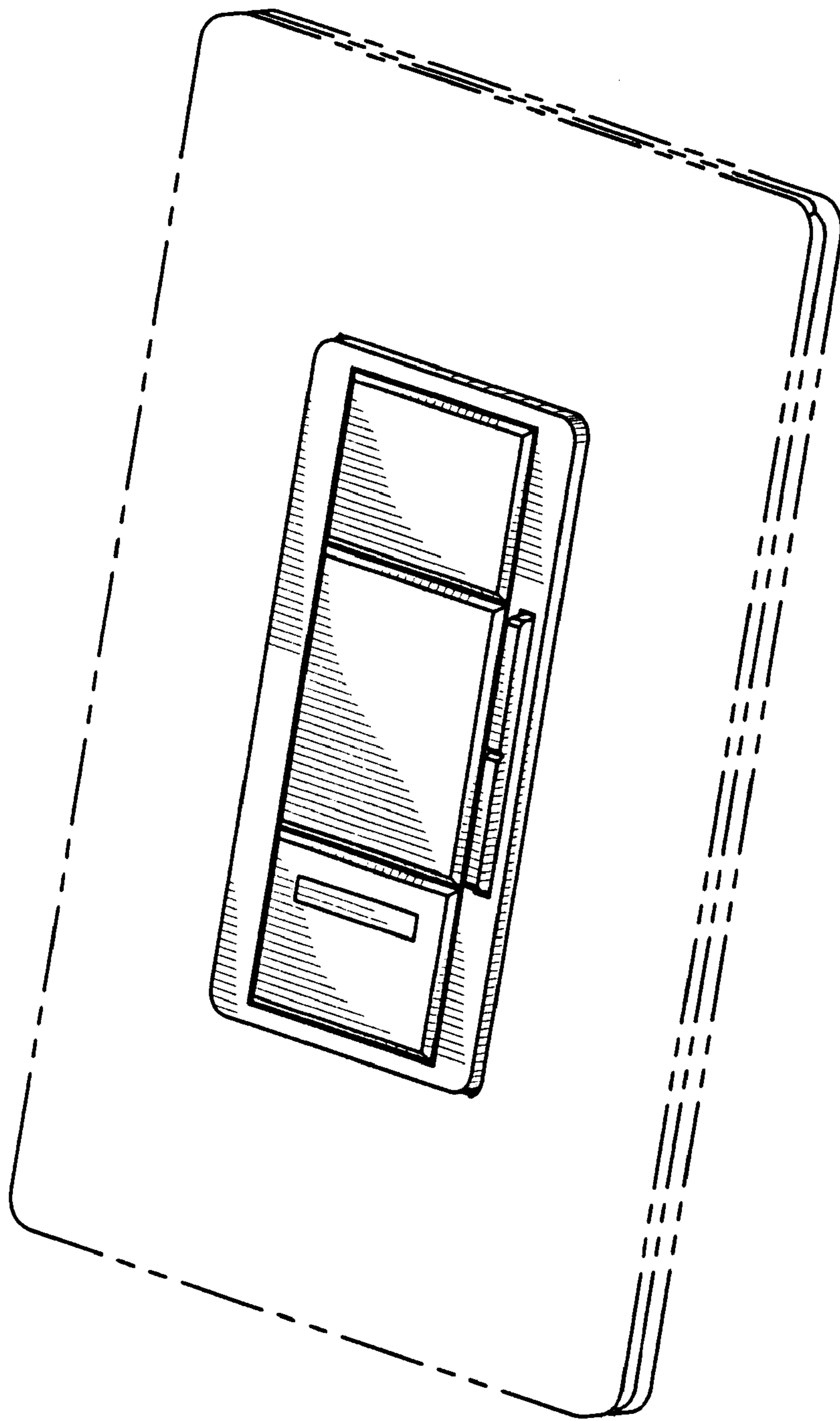


FIG. 19

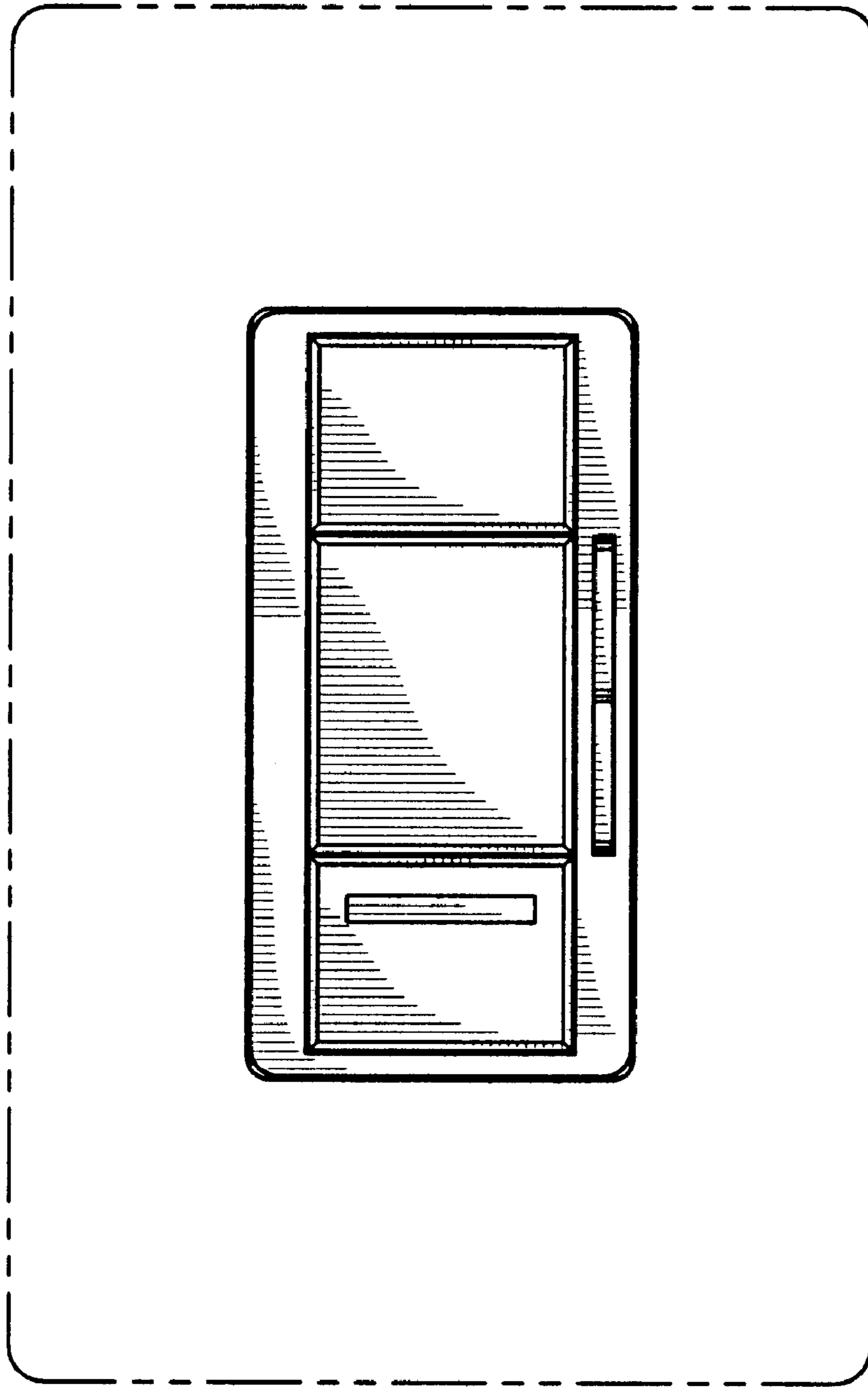


FIG. 20

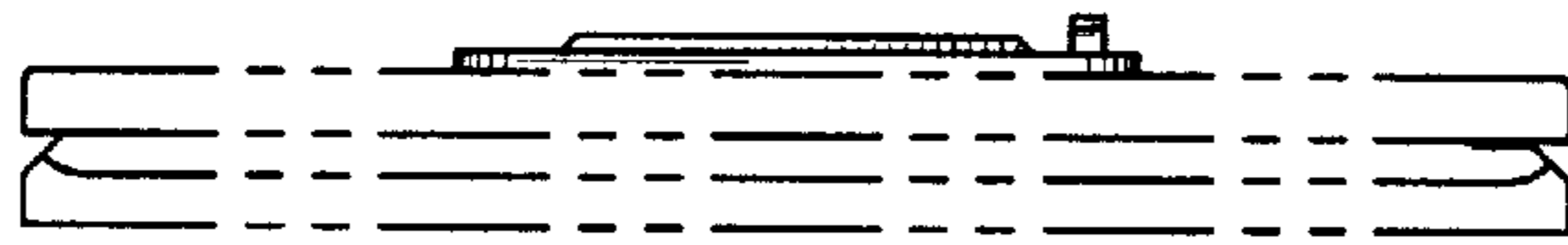


FIG. 21

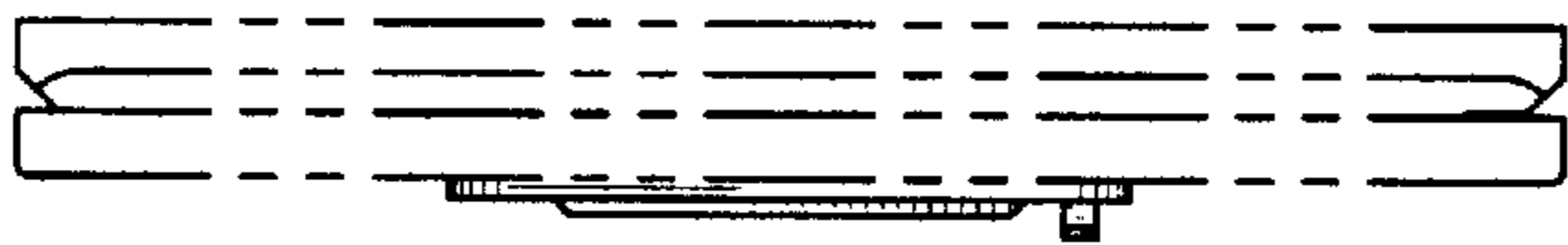


FIG. 22



FIG. 23

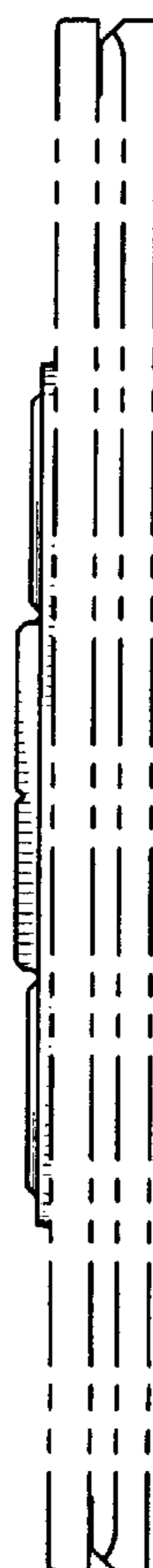


FIG. 24

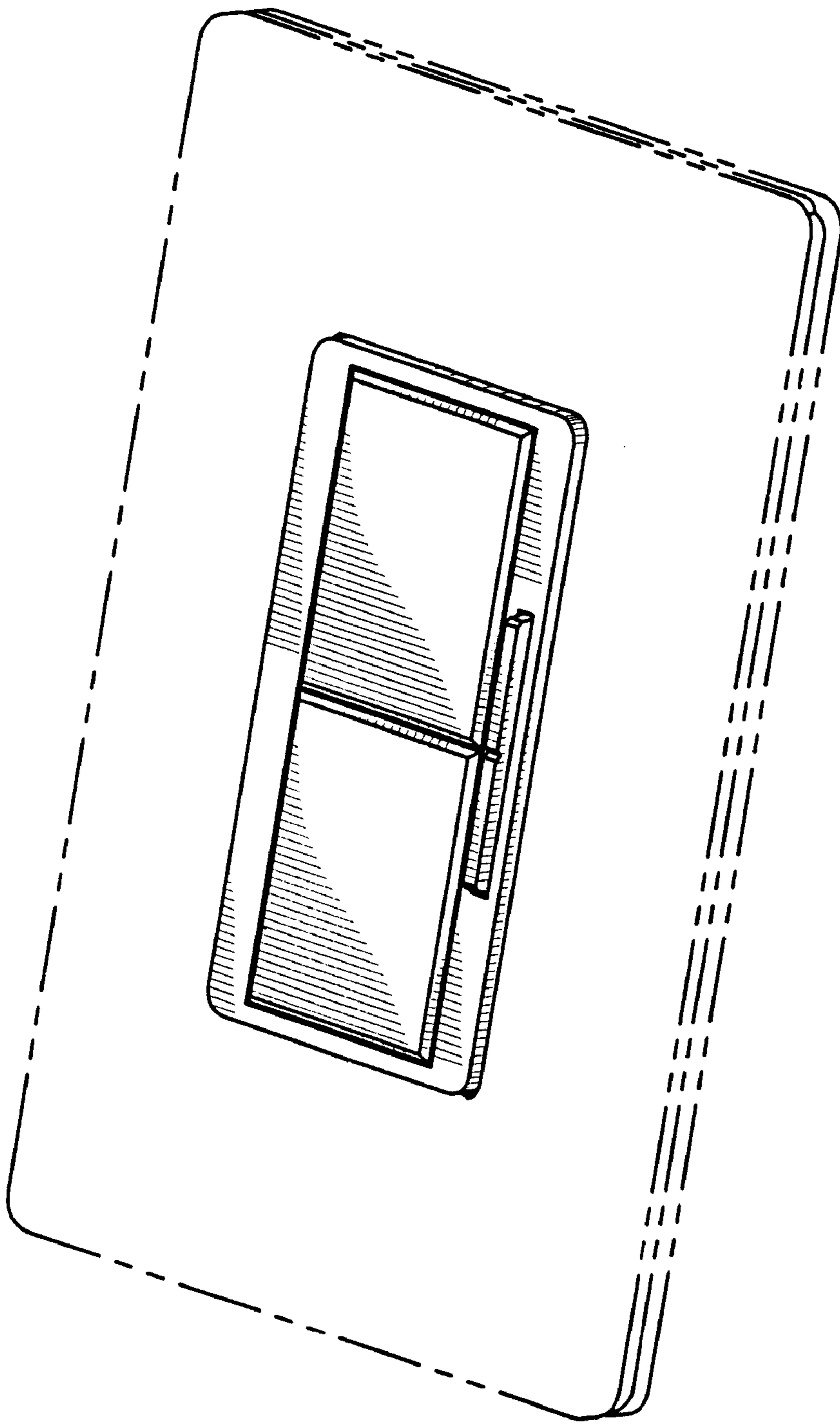


FIG. 25

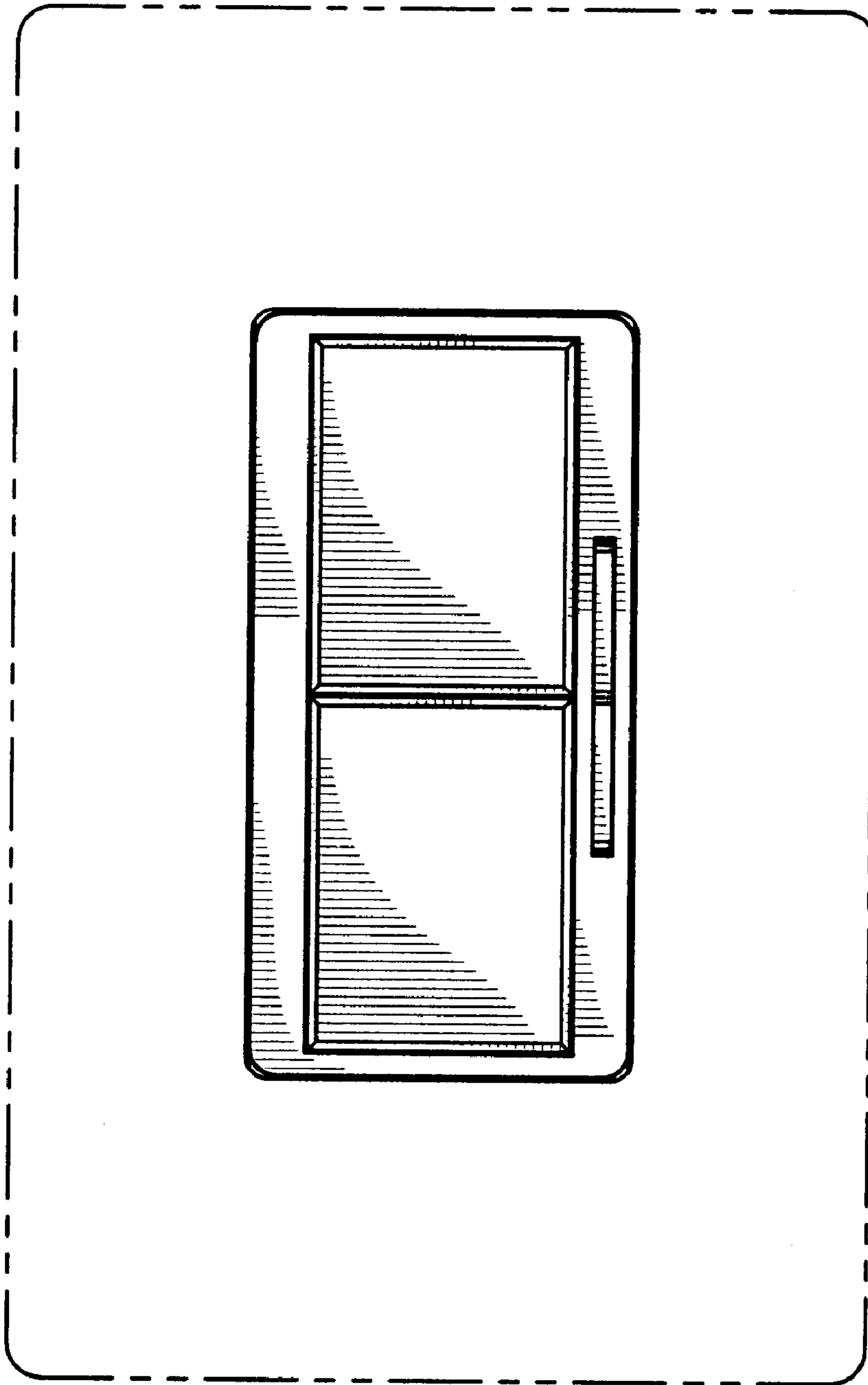


FIG. 26

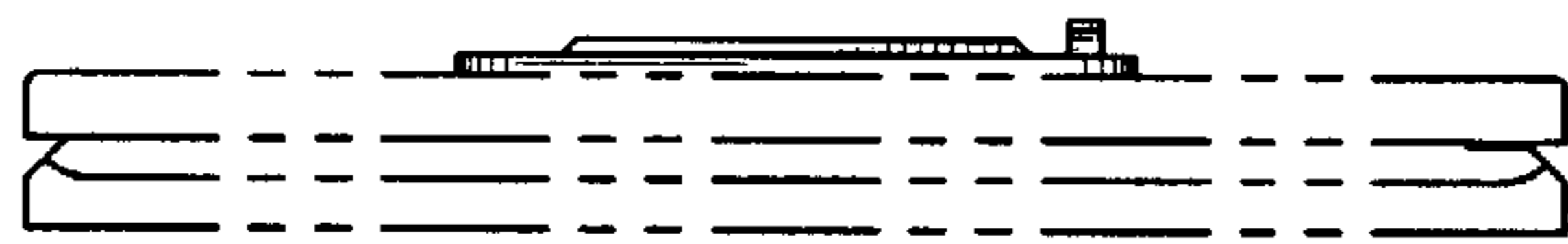


FIG. 27

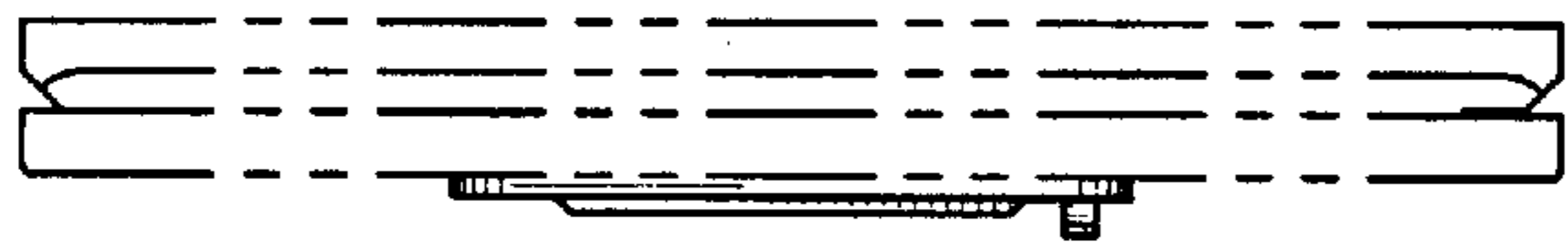


FIG. 28



FIG. 29

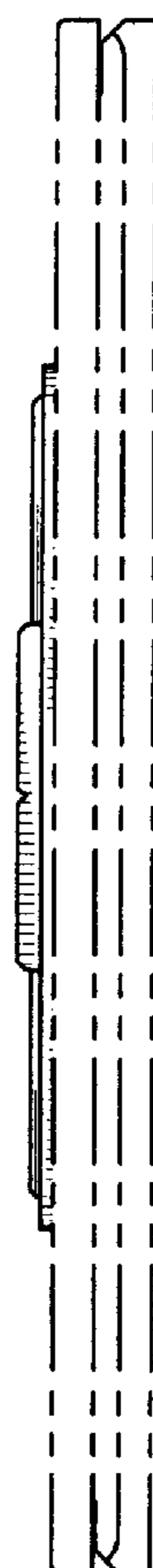


FIG. 30